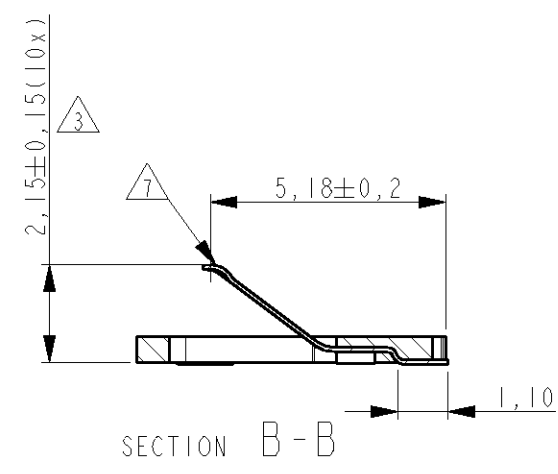
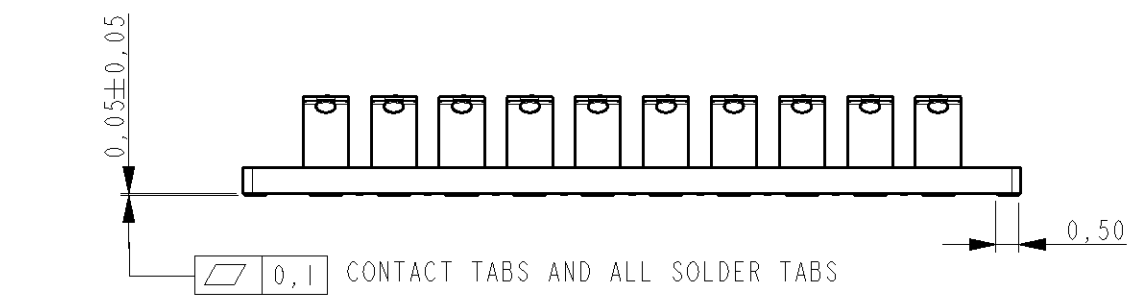
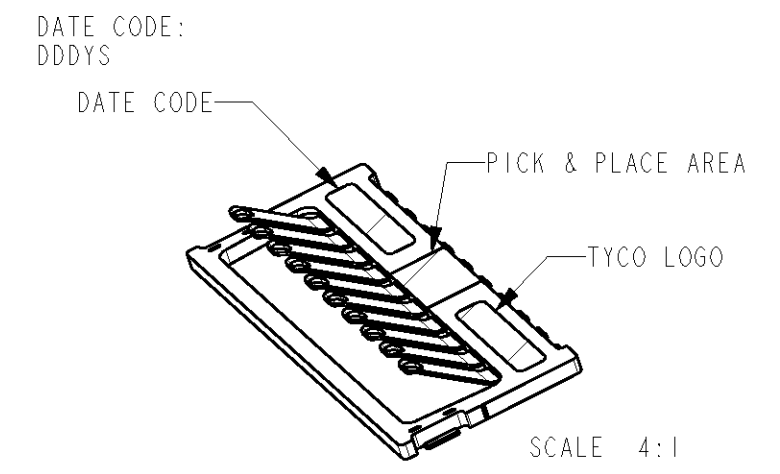
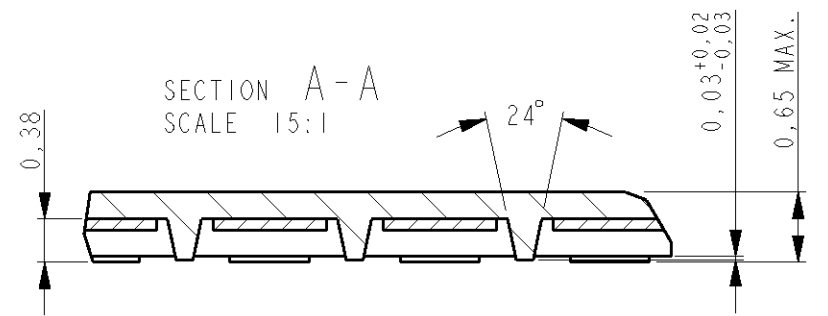
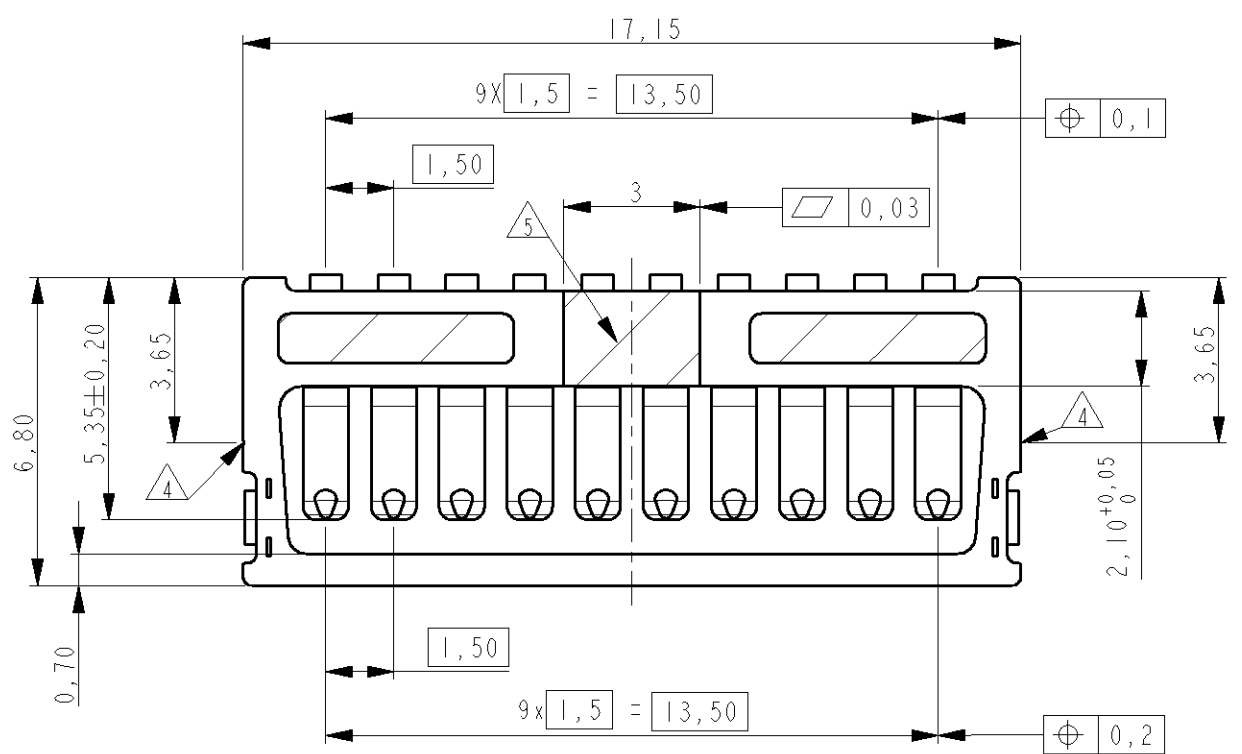
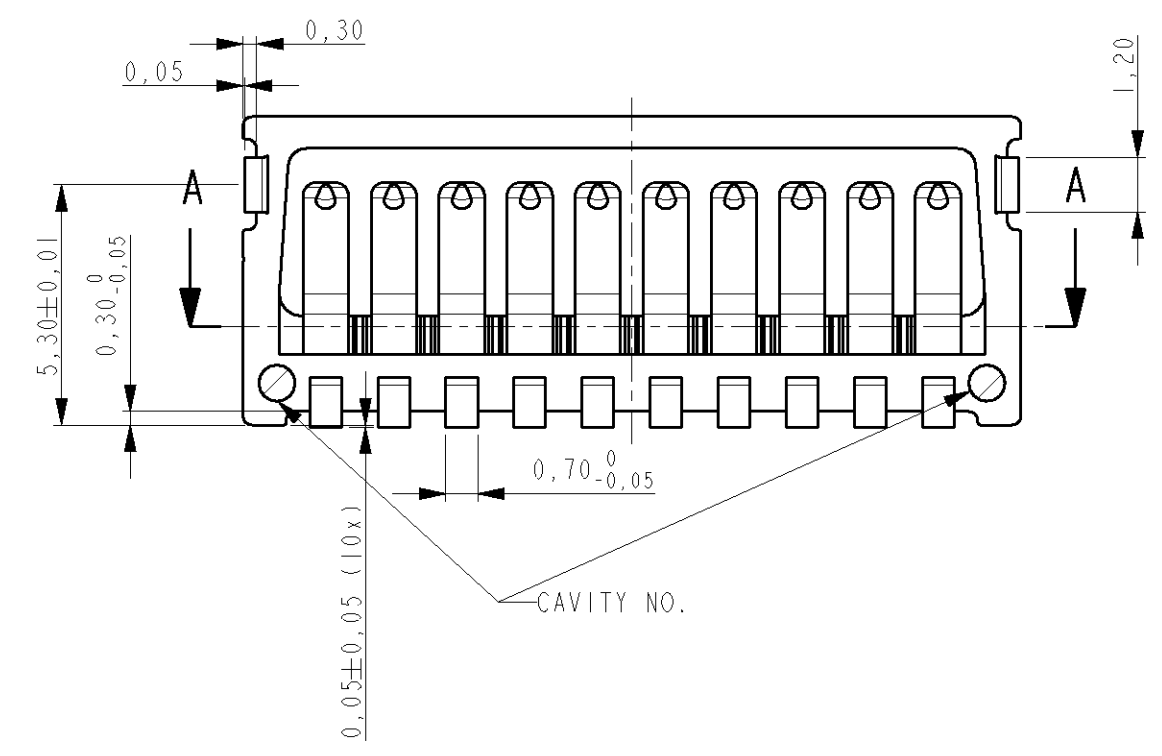


THIS DRAWING IS UNPUBLISHED. RELEASED FOR PUBLICATION
 © COPYRIGHT - BY TYCO ELECTRONICS CORPORATION. ALL RIGHTS RESERVED.

LOC	DIST	REVISIONS			
P	LTR	DESCRIPTION	DATE	DWN	APVD
H	-	A	EHC0-0098-04	19-APR-04	PW PJ
		B	ECR-09-003544	16FEB2009	PW DH



- NOTES:
- 1 MATERIAL: HOUSING: GLASSFILLED LCP
CONTACT: BeCu
BRACKET: BeCu
 - 2 PLATING: UNDERLAYER 1.3µm NICKEL
0,5µm MIN. GOLD IN CONTACT ZONE
FLASH GOLD (0,2µm MAX.) ON SOLDER TAB
 - 3 CONTACT FORCE: 0,2N MIN. AT 1,1mm
: 0,6N MAX. AT 0,7mm
 - 4 INJECTION POINT 0,1mm RECESSED
 - 5 AREA FREE OF MARKING, SCRATCHES OR MOLDING DEFECTS
 - 6 PACKAGING: POCKETTAPE ACCORDING EIA 481-B
 - 7 NO BURRS OR CRACKS ON TOP OR SIDE OF DIMPLE SURFACE

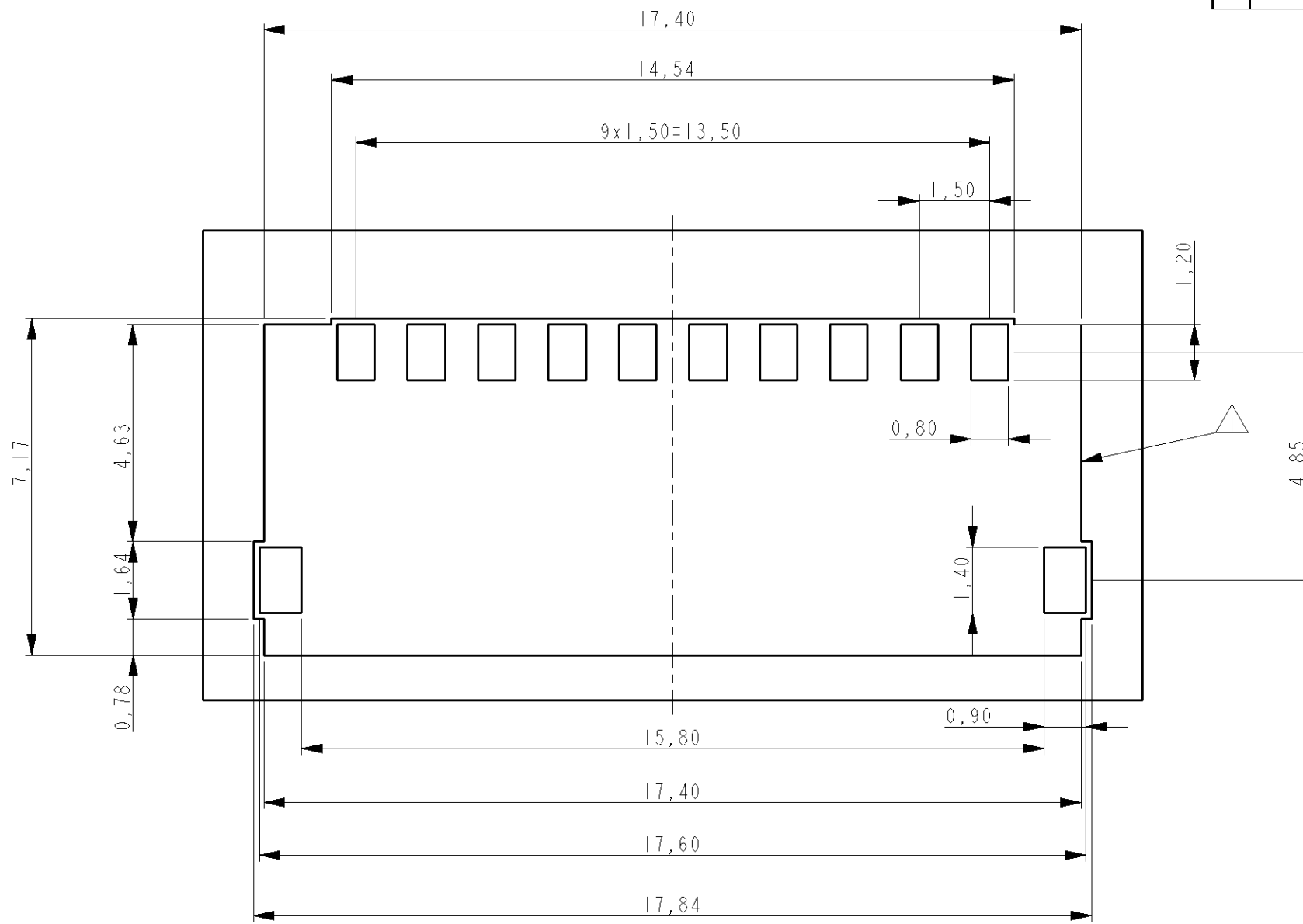


PN. 1705536-2 AS SHOWN

<small>THIS DRAWING IS A CONTROLLED DOCUMENT FOR TYCO ELECTRONICS CORPORATION IT IS SUBJECT TO CHANGE AND THE CONTROLLING ENGINEERING ORGANIZATION SHOULD BE CONTACTED FOR THE LATEST REVISION.</small>		DWN P.WILLEMS 19-04-04 CHK P.JAEGER 19-04-04 APVD P.JAEGER 19-04-04	Tyco Electronics TYCO ELECTRONICS NEDERLAND B.V. 's-HERTOGENBOSCH, THE NETHERLANDS	
DIMENSIONS: mm	TOLERANCES UNLESS OTHERWISE SPECIFIED: 0 PLC ±0,5 1 PLC ±0,2 2 PLC ±0,1 3 PLC ± 4 PLC ± ANGLES ±	PRODUCT SPEC 108-19269 APPLICATION SPEC -	NAME 10 Pos Compressive Connector	
MATERIAL -	FINISH -	WEIGHT -	SIZE A3 CAGE CODE 00779 DRAWING NO C=1705536	RESTRICTED TO -
CUSTOMER DRAWING		SCALE 6:1	SHEET 1 OF 3	REV B

THIS DRAWING IS UNPUBLISHED. RELEASED FOR PUBLICATION -
 © COPYRIGHT - BY TYCO ELECTRONICS CORPORATION. ALL RIGHTS RESERVED.

LOC	DIST	REVISIONS			
P	LTR	DESCRIPTION	DATE	DWN	APVD
H	-	SEE SHEET 1	-	-	-

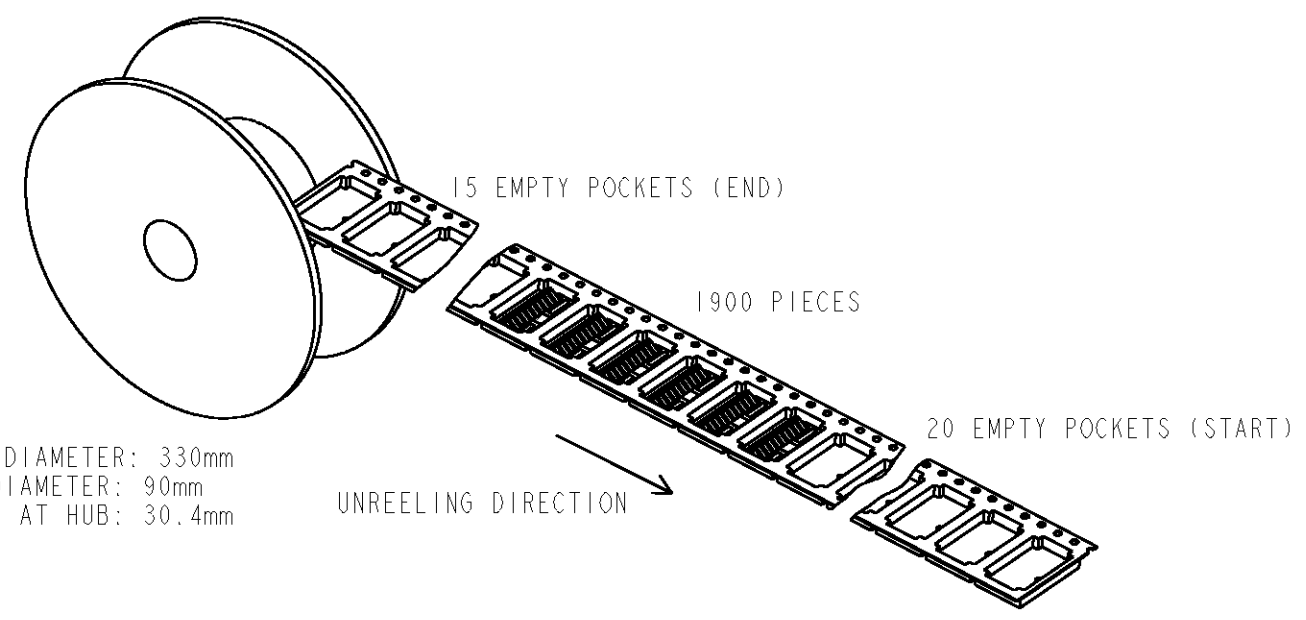
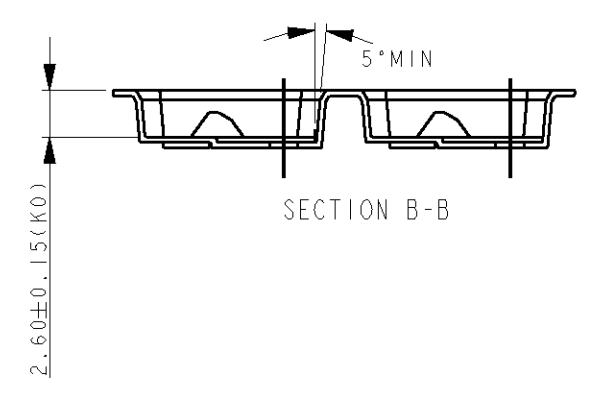
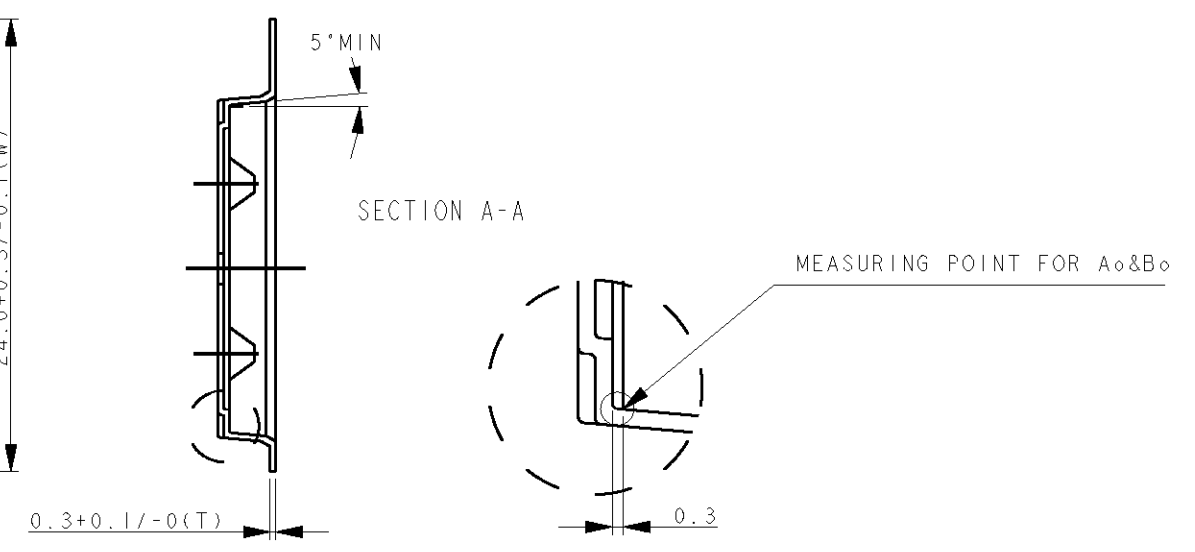
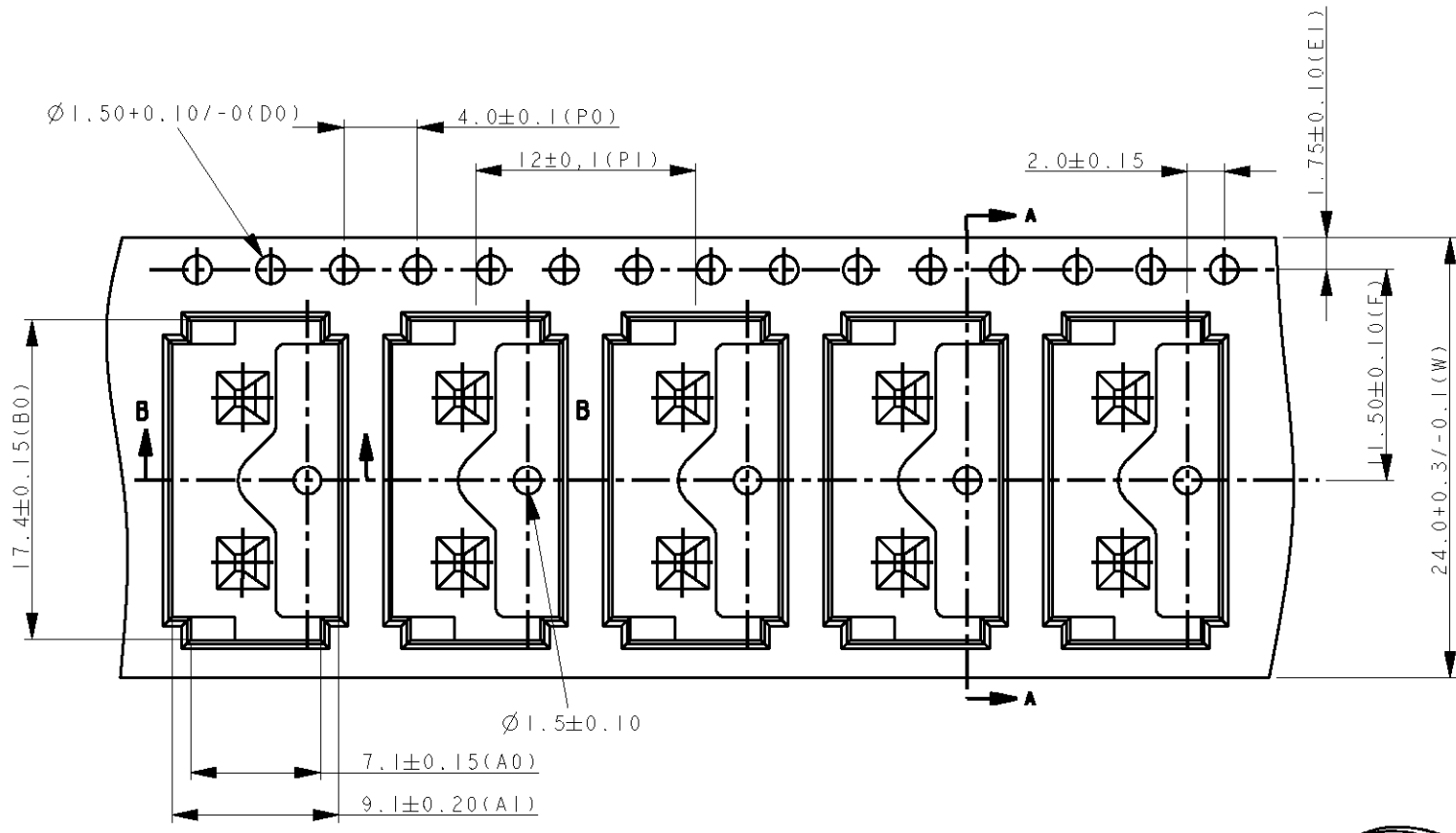


NOTES:
 △ WITHIN THIS AREA NO UN-ISOLATED TRACKS PERMITTED

<small>THIS DRAWING IS A CONTROLLED DOCUMENT FOR TYCO ELECTRONICS CORPORATION IT IS SUBJECT TO CHANGE AND THE CONTROLLING ENGINEERING ORGANIZATION SHOULD BE CONTACTED FOR THE LATEST REVISION.</small>		DWN	P. WILLEMS	19-04-04	TYCO ELECTRONICS NEDERLAND B.V. 's-HERTOGENBOSCH, THE NETHERLANDS
DIMENSIONS: mm		CHK	P. JAEGER	19-04-04	
		APVD	P. JAEGER	19-04-04	
TOLERANCES UNLESS OTHERWISE SPECIFIED: 0 PLC ±0,5 1 PLC ±0,2 2 PLC ±0,1 3 PLC ± 4 PLC ± ANGLES ±		PRODUCT SPEC 108-19269		NAME 10 Pos Compressive Connector	
MATERIAL -		APPLICATION SPEC -		SIZE A3	
FINISH -		WEIGHT -		CAGE CODE 00779	
		CUSTOMER DRAWING		DRAWING NO C=1705536	
				RESTRICTED TO -	
				SCALE 6:1	
				SHEET 2 OF 3	
				REV B	

THIS DRAWING IS UNPUBLISHED. RELEASED FOR PUBLICATION
 © COPYRIGHT - BY TYCO ELECTRONICS CORPORATION, ALL RIGHTS RESERVED.

LOC	DIST	REVISIONS					
		P	LTR	DESCRIPTION	DATE	DWN	APVD
H	-	-	-	SEE SHEET 1	-	-	-



NOTE
EMBOSS TAPE AND REEL ACCORDING EIA STANDARD 418-B

<small>THIS DRAWING IS A CONTROLLED DOCUMENT FOR TYCO ELECTRONICS CORPORATION IT IS SUBJECT TO CHANGE AND THE CONTROLLING ENGINEERING ORGANIZATION SHOULD BE CONTACTED FOR THE LATEST REVISION.</small>		DWN P. WILLEMS 19-04-04 CHK P. JAEGER 19-04-04 APVD P. JAEGER 19-04-04		TYCO ELECTRONICS NEDERLAND B.V. 's-HERTOGENBOSCH, THE NETHERLANDS	
DIMENSIONS: mm		TOLERANCES UNLESS OTHERWISE SPECIFIED: 0 PLC ±0,5 1 PLC ±0,2 2 PLC ±0,1 3 PLC ± 4 PLC ± ANGLES ±		NAME - 10 Pos Compressive Connector	
		MATERIAL - FINISH -		PRODUCT SPEC 108-19269 APPLICATION SPEC - WEIGHT -	
		CUSTOMER DRAWING		SIZE A3 CAGE CODE 00779 DRAWING NO C=1705536 RESTRICTED TO -	
		SCALE 6:1		SHEET 3 OF 3 REV B	