

National Semiconductor is now part of  
Texas Instruments.

Search <http://www.ti.com/> for the latest technical  
information and details on our current products and services.

# LM8342

## Programmable TFT $V_{COM}$ Calibrator with Non-Volatile Memory

### General Description

The LM8342 is an integrated combination of a non-volatile register (7 bits EEPROM) and a DAC controlled current source. Using the LM8342, the  $V_{COM}$  calibration procedure is simplified by elimination of the potentiometer adjustment task. This adjustment task is currently performed at the factory using a trimmer adjustment tool and visual inspection.

The  $V_{COM}$  adjustment can be done electronically in production, using the I<sup>2</sup>C compatible interface. The factory operator can physically view the screen head-on (frontal viewing) when performing this step, easing manufacturing especially for large TFT panels.

The  $V_{COM}$  level is typically at half  $AV_{DD}$  (determined by R1 and R2) and is buffered by the actual  $V_{COM}$  driver. By controlling the level of  $I_{OUT}$ , the  $V_{COM}$  level can be tuned. The current level at the output of the LM8342 is a fraction (1/128 to 128/128) of a maximum current which is set by  $R_{SET}$  and an analog reference ( $AV_{DD}$ ). The actual fraction is determined by the 7-bit DAC. As a result, the output current of the LM8342 has a good temperature stability yielding a very stable  $V_{COM}$  adjustment. Controlling the DAC setting of the LM8342 is done via its I<sup>2</sup>C compatible interface. The actual DAC setting is stored in a volatile register. Using a "Write to EE" command the data can be stored permanently in the embedded EEPROM. At power on of the device, the EEPROM data is copied to the volatile register, setting the DAC. At any time, the data in the EEPROM can be changed again via the I<sup>2</sup>C compatible interface.

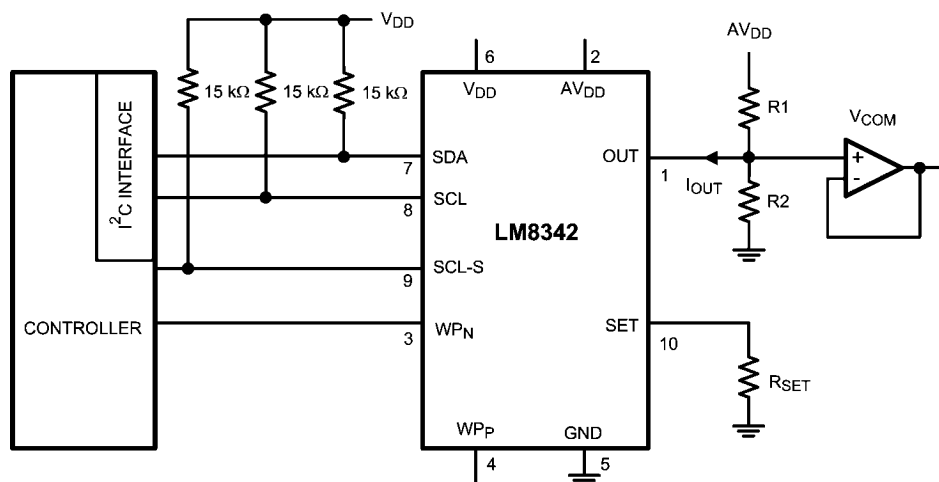
### Features

- I<sup>2</sup>C compatible programmable DAC to set the output current
- Guaranteed monotonic DAC
- Non-volatile memory to hold the setting
- EEPROM in system programmable
- No external programming voltage required
- Maximum interface bus speed is 400 kHz
- LLP-10 Package

### Applications

- TFT panel factory calibration
- Digital potentiometer
- Programmable current sink

### Typical Application



20139201

**Absolute Maximum Ratings** (Note 1)

If Military/Aerospace specified devices are required, please contact the National Semiconductor Sales Office/ Distributors for availability and specifications.

ESD Tolerance (Note 2)	
Human Body Model	SCL, SDA Pins: 4 kV All Other Pins: 2.5 kV
Machine Model	250V
Supply and Reference Voltage	
$V_{DD}$	5V
$AV_{DD}$	20V
Storage Temperature Range -65°C to +150°C	

Junction Temperature (Note 3)	+150°C
Soldering Information	
Infrared or Convection (20 sec.)	235°C
Wave Soldering (10 sec.)	260°C

**Operating Ratings** (Note 1)

Operating Temperature Range (Note 4)	-40°C to 85°C
Digital Supply ( $V_{DD}$ ) (Note 5)	2.25V to 3.6V
Digital Supply ( $V_{DD}$ ) @ Programming	2.6V to 3.6V
Analog Reference ( $AV_{DD}$ ) (Note 5)	4.5V to 18V
Package Thermal Resistance $\theta_{JA}$ (Note 3)	52°C/W

**Electrical Characteristics**

Unless otherwise specified, all limits are guaranteed for  $T_J = 25^\circ\text{C}$ ,  $V_{DD} = 3\text{V}$ ,  $AV_{DD} = 15\text{V}$ ,  $V_{OUT} = 1/2 AV_{DD}$  and  $R_{SET} = 10\text{ k}\Omega$ .

**Boldface** limits apply at the temperature extremes. (Note 6)

Symbol	Parameter	Conditions	Min (Note 7)	Typ (Note 8)	Max (Note 7)	Units
<b>Supply and Reference Current</b>						
$I_{DD}$	Supply Current			40	<b>62</b>	$\mu\text{A}$
$AI_{DD}$	Analog Reference Current			8	<b>13</b>	$\mu\text{A}$
<b>Control and Programming</b>						
	SCL, SDA	Low Voltage			<b><math>0.3 * V_{DD}</math></b>	V
		High Voltage		<b><math>0.7 * V_{DD}</math></b>		
		Input Current			<b>1</b>	$\mu\text{A}$
		Frequency			400	kHz
	$WP_P/WP_N$ Low Level				<b><math>0.3 * V_{DD}</math></b>	V
	$WP_P/WP_N$ High Level		<b><math>0.7 * V_{DD}</math></b>			V
	$WP_N$ Input Current	$V_{IH} = 3.0\text{V}$ . (Note 9)		100		$\mu\text{A}$
$R_{ON}$	SCL to SCL-S Switch Resistance			150		$\Omega$
	SDA/SCL Input Capacitance			5		pF
	SCL-S Input Capacitance			3		pF
	SDA/SCL/SCL-S load current	No Supply, $V_{SDA}$ , $V_{SCL} = 3.6\text{V}$			<b>1</b>	$\mu\text{A}$
	Programming Time	(Note 4)		200	<b>300</b>	ms
	$I_{DD}$ @ Programming			10	<b>18</b>	mA
	Programming Cycles		1000			
	Reading Cycles		10000			
<b>Output</b>						
	Output Settling Time	95% of Final Value		10		$\mu\text{s}$
	Start-Up Time			30		$\mu\text{s}$
$V_{OUT}$	Output Voltage		$V_{RSET} + 0.5\text{V}$		$AV_{DD}$	V
$I_{OUT}$	Output Current	Adjustability		7		Bits
		Differential Non-Linearity	$AV_{DD} = 10\text{V}$ , $V_{OUT} = 5\text{V}$ .	<b>-1</b>	<b>1</b>	LSB
		Zero Scale Error		-1	1.5	
		Full Scale Error		-4	4	
		Full Scale Range		<b>5</b>	<b>100</b>	$\mu\text{A}$
	Voltage Drift $V_{RSET}$		<b>-1</b>		<b>1</b>	LSB

**Note 1:** Absolute Maximum Ratings indicate limits beyond which damage to the device may occur. Operating Ratings indicate conditions for which the device is intended to be functional, but specific performance is not guaranteed. For guaranteed specifications and test conditions, see the Electrical Characteristics tables.

**Note 2:** Human Body Model is 1.5 k $\Omega$  in series with 100 pF. Machine Model is 0 $\Omega$  in series with 200 pF.

**Note 3:** The maximum power dissipation is a function of  $T_{J(MAX)}$ ,  $\theta_{JA}$  and  $T_A$ . The maximum allowable power dissipation at any ambient temperature is  $P_D = (T_{J(MAX)} - T_A) / \theta_{JA}$ . All numbers apply for packages soldered directly onto a PC board.

**Note 4:** Programming temperature range 0°C to 70°C.

**Note 5:** When  $AV_{DD}$  is in the voltage range of 4.5V to 13V, the supply voltage  $V_{DD}$  can be in 2.25V to 3.6V range. When  $AV_{DD}$  is in the voltage range from 13V to 18V, the supply voltage  $V_{DD}$  is limited to the 2.6V to 3.6V range

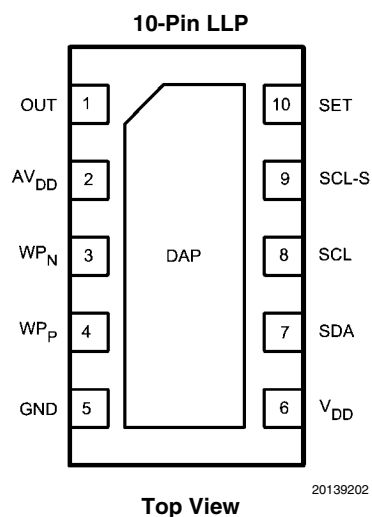
**Note 6:** Electrical Table values apply only for factory testing conditions at the temperature indicated. Factory testing conditions result in very limited self-heating of the device such that  $T_J = T_A$ . No guarantee of parametric performance is indicated in the electrical tables under conditions of internal self-heating where  $T_J > T_A$ .

**Note 7:** All limits are guaranteed by design or statistical analysis.

**Note 8:** Typical values represent the parametric norm at the time of characterization.

**Note 9:** On-Chip Pull Down Resistor of 30 k $\Omega$ .

## Connection Diagram



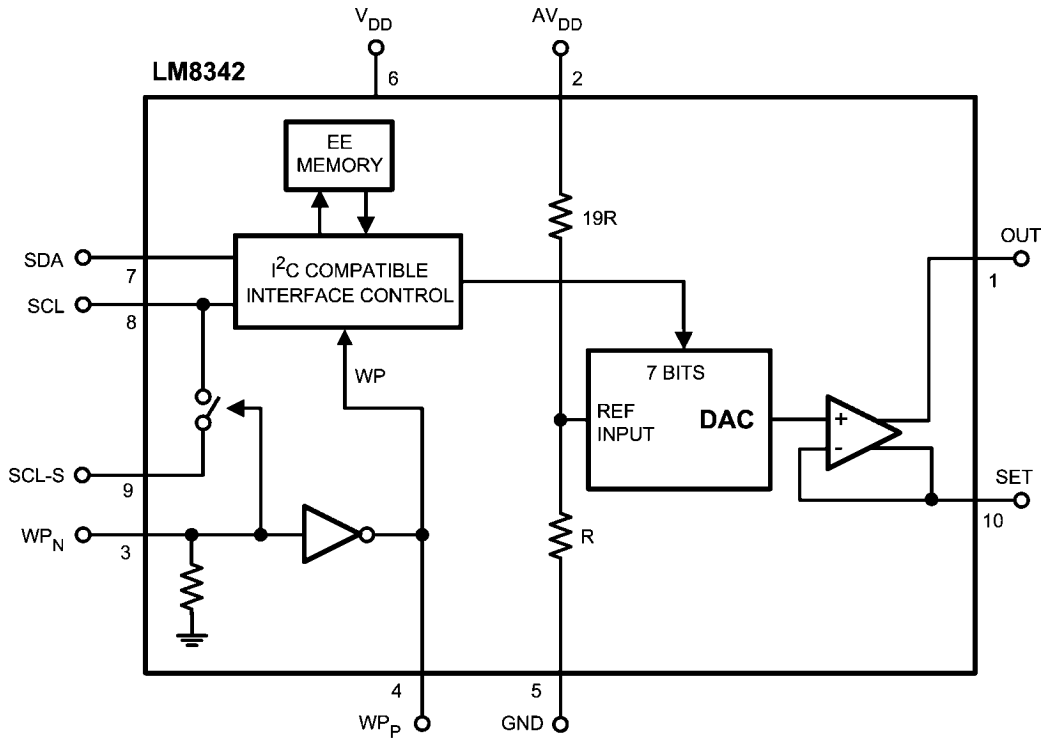
## Pin Descriptions

Pin Name	Pin #	Function				
OUT	1	Current sink output, adjustable in 128 steps. See Application Section for details.				
$AV_{DD}$	2	Analog reference voltage input				
$WP_N$	3	Write protect (input)				
			READ (I <sup>2</sup> C)	WRITE → Reg	WRITE → EE	SCL Switch
		$WP_N = \text{Low}$	yes	yes	no	open
	$WP_N = \text{High}$	yes	yes	yes	closed	
$WP_P$	4	Inverted $WP_N$ (output)				
GND	5	Ground				
$V_{DD}$	6	Supply voltage				
SDA	7	I <sup>2</sup> C compatible serial data input/output				
SCL	8	I <sup>2</sup> C compatible serial clock input				
SCL-S	9	Switched SCL connection. Serial clock input when $WP_N$ is set to high				
SET	10	Maximum output current adjustment pin (see block diagram)				
DAP		Left floating or connect to GND				

## Ordering Information

Package	Part Number	Package Marking	Transport Media	NSC Drawing
10-Pin LLP	LM8342SD	L8342	1k Units Tape and Reel	SDA10A
	LM8342SDX		4.5k Units Tape and Reel	

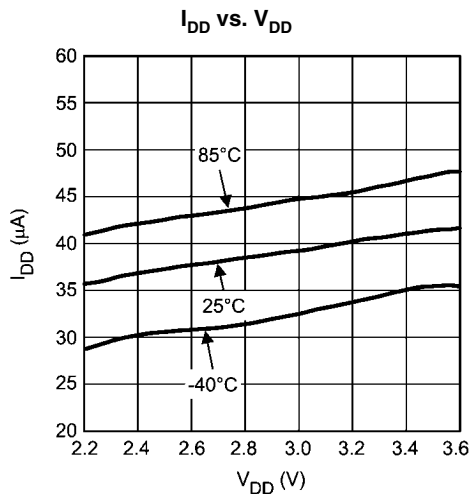
## Block Diagram



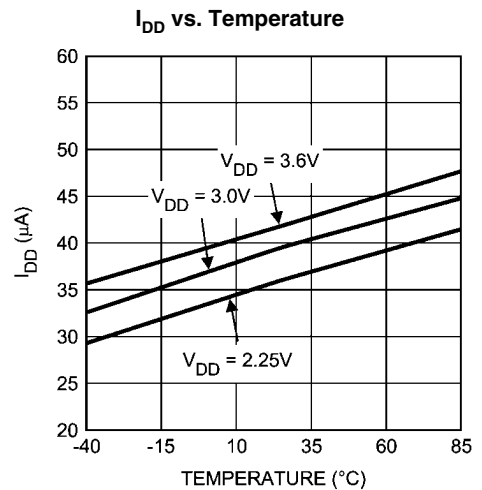
20139203

## Typical Performance Characteristics

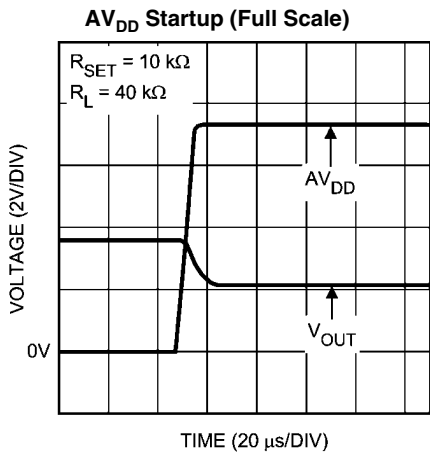
At  $T_J = 25^\circ\text{C}$ ,  $V_{DD} = 3\text{V}$ ,  $AV_{DD} = 15\text{V}$ ,  $V_{OUT} = 1/2 AV_{DD}$  and  $R_{SET} = 10\text{ k}\Omega$ , unless otherwise specified.



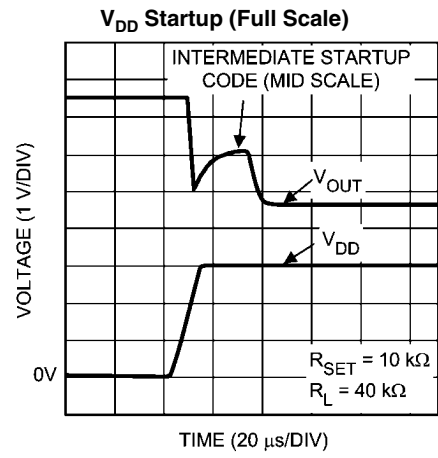
20139227



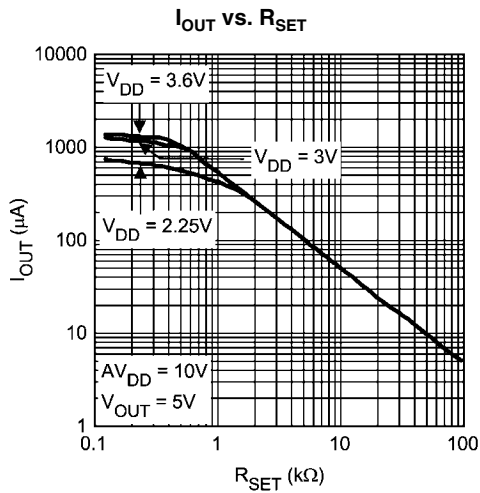
20139228



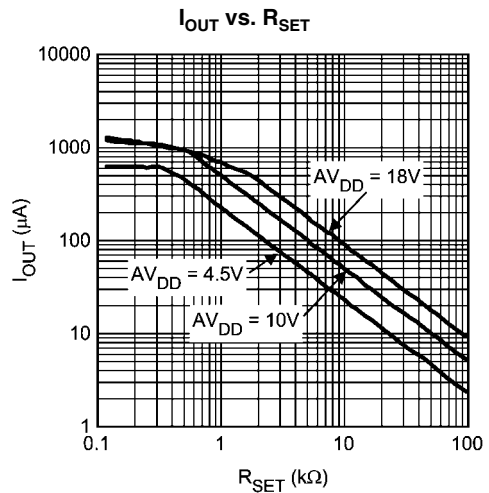
20139220



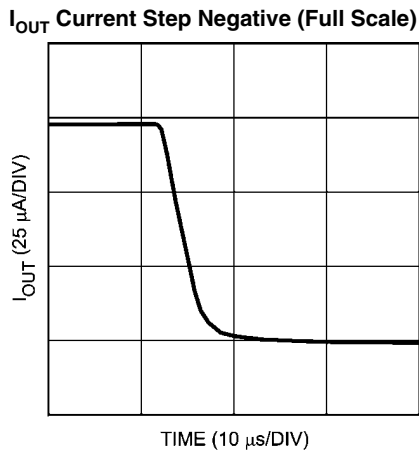
20139219



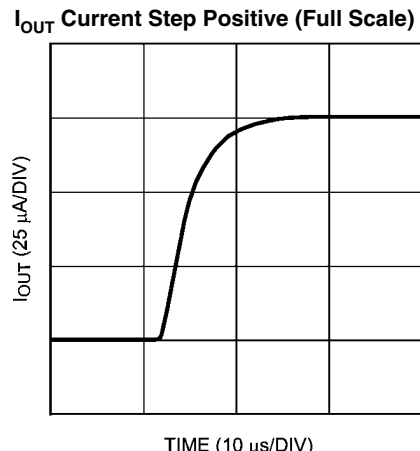
20139216



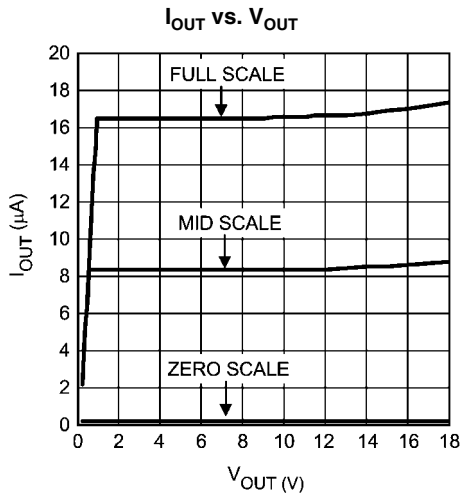
20139215



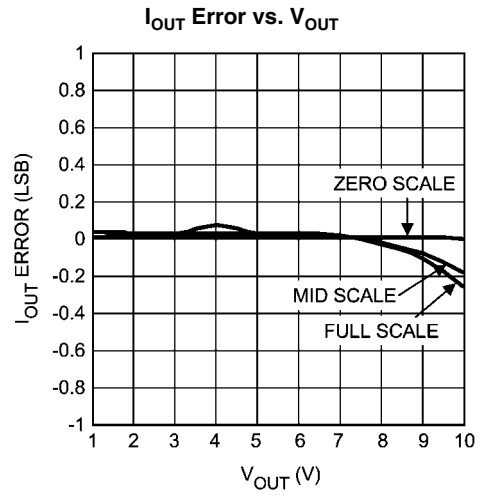
20139207



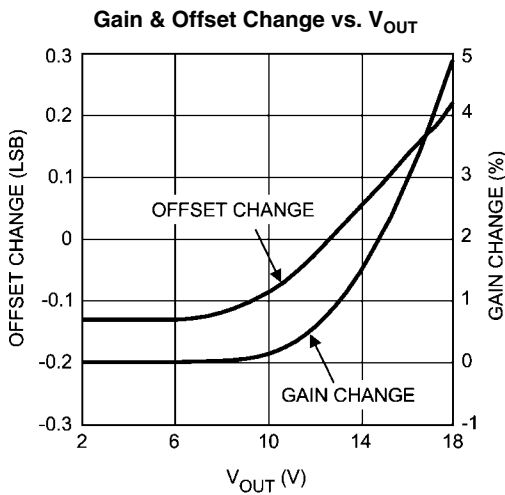
20139208



20139217

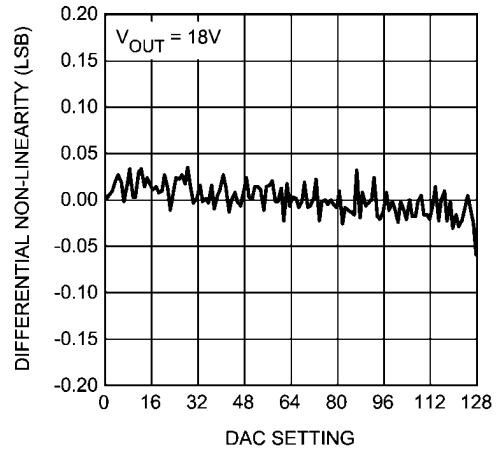


20139214

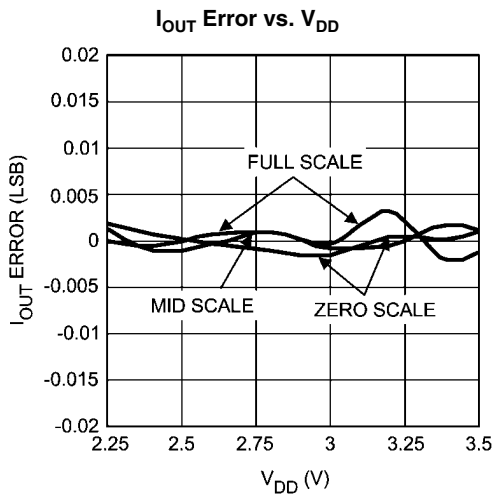


20139222

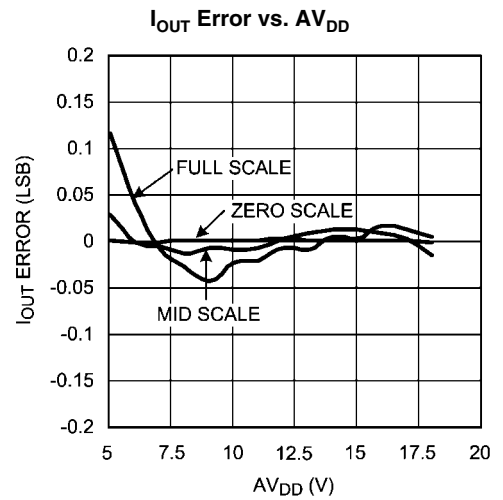
**Differential Non-Linearity Error vs. DAC**  
( $V_{OUT} = 18V$ )



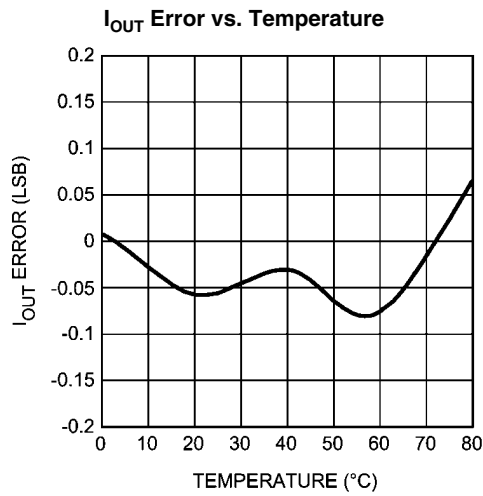
20139221



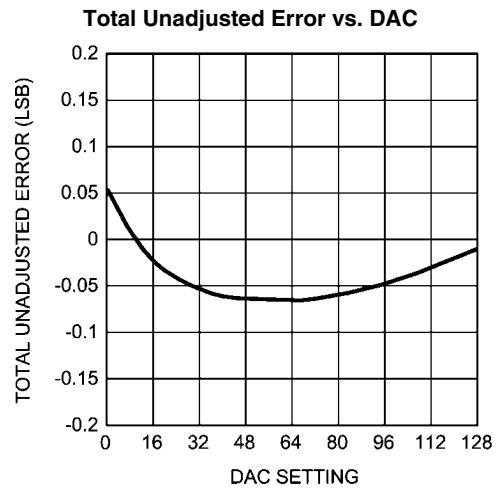
20139210



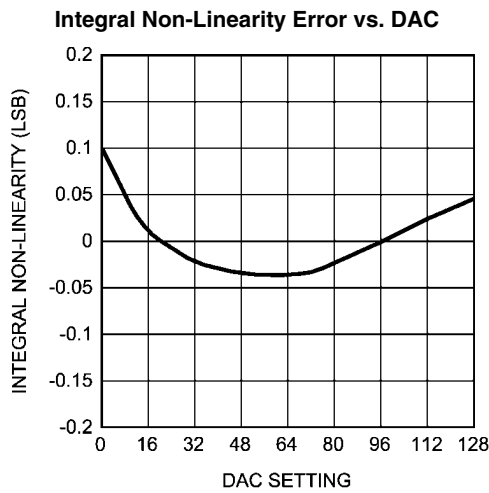
20139226



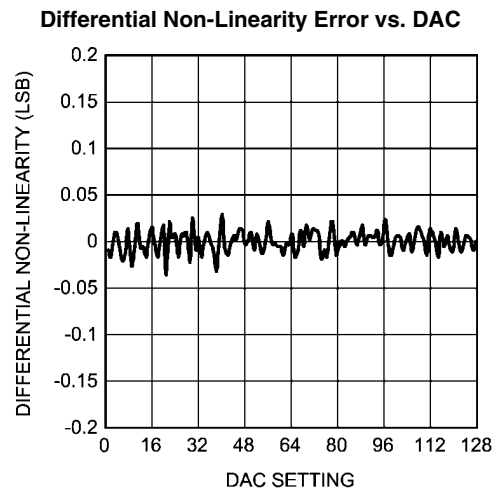
20139213



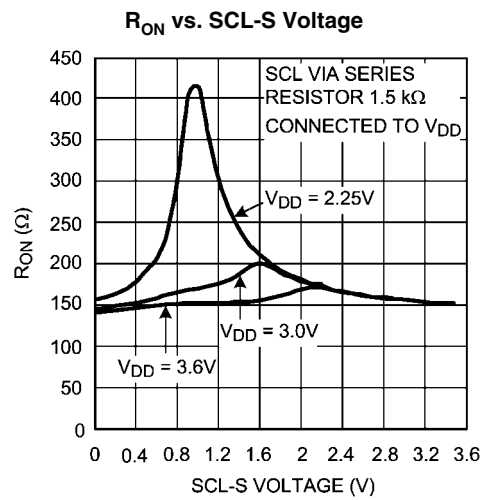
20139209



20139212



20139211



20139225



## Application Section

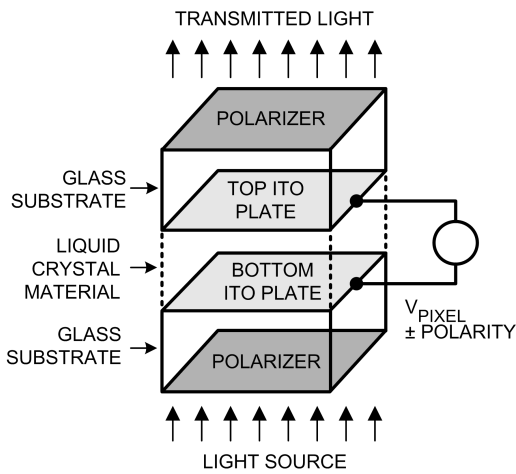
### INTRODUCTION

The LM8342 is an integrated combination of a digitally controlled current sink and a non-volatile register (7 bits EEPROM). Programming the register can be done using the I<sup>2</sup>C compatible interface. The LM8342 replaces the potentiometer adjustment, and thereby simplifies the  $V_{COM}$  calibration procedure. With the LM8342, the factory operator can physically view the screen head-on when performing this step, easing manufacturing especially for large TFT panel sizes.

The following sections discuss the principle of operation of a TFT-LCD and, subsequently give a description of how to use the LM8342, including the I<sup>2</sup>C compatible interface and control inputs. After this, two typical LM8342 configurations are presented. Subsequently an evaluation system is introduced, including a  $\mu$ C-board programming using the I<sup>2</sup>C compatible interface. At the end of this application section board layout recommendations are given.

### PRINCIPLE OF OPERATION OF A TFT-LCD

This section offers a brief overview of the principle of operation of TFT-LCD's. It gives a detailed description of how information is presented on the display. Further an explanation of how data is written to the screen pixels and how the pixels are selected is included.

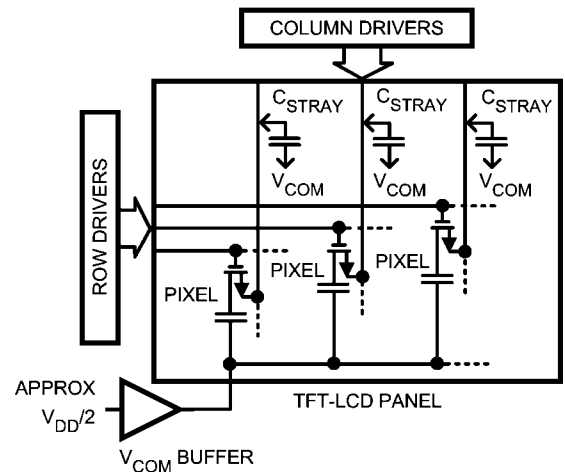


20139223

**FIGURE 1. Individual LCD Pixel**

Figure 1 shows a simplified illustration of an individual LCD pixel. The top and bottom plates of a pixel consist of Indium-Tin Oxide (ITO), which is a transparent, electrically conductive material. ITO is at the inner surfaces of two glass substrates that are the front and back glass panels of a TFT

display. Sandwiched between two ITO plates is an insulating material (liquid crystal). Liquid crystals alter the polarization of light, depending on how much voltage ( $V_{PIXEL}$ ) is applied across the two plates. Polarizers are placed on the outer surfaces of the two glass substrates. In combination with the liquid crystal, the polarizers create an electrically variable light filter that modulates light transmitted from the back to the front of a display. A pixel's bottom plate is at the backside of a display where a light source is applied, and the top plate is at the front, facing the viewer. For most TFT displays, a pixel transmits the greatest amount of light when  $V_{PIXEL} \leq \pm 0.5V$ , and it becomes less transparent as the voltage increases with either positive or negative polarity.



20139224

**FIGURE 2. TFT Display**

Figure 2 shows a simplified diagram of a TFT display, showing how individual pixels are connected to the row, column and  $V_{COM}$  driver. Each pixel is represented by a capacitor with an NMOS transistor connected to its top plate. Pixels in a TFT panel are arranged in rows and columns. Row lines are connected to the NMOS gates, and column lines to the NMOS sources. The back plate of every pixel is connected to a common voltage called  $V_{COM}$ . The voltage applied to the top plates (i.e. Gamma Voltage) controls the pixel brightness. The column drivers supply this gamma voltage via the column lines, and 'write' this voltage to the pixels one row at a time. This is accomplished by having the row drivers selecting an individual row of pixels when the column drivers write the gamma voltage levels. The row drivers sequentially apply a large positive pulse (typically 25V to 35V) to each row line. This turns on the NMOS transistors connected to an individual row, allowing voltage from the column lines to be written to the pixels.

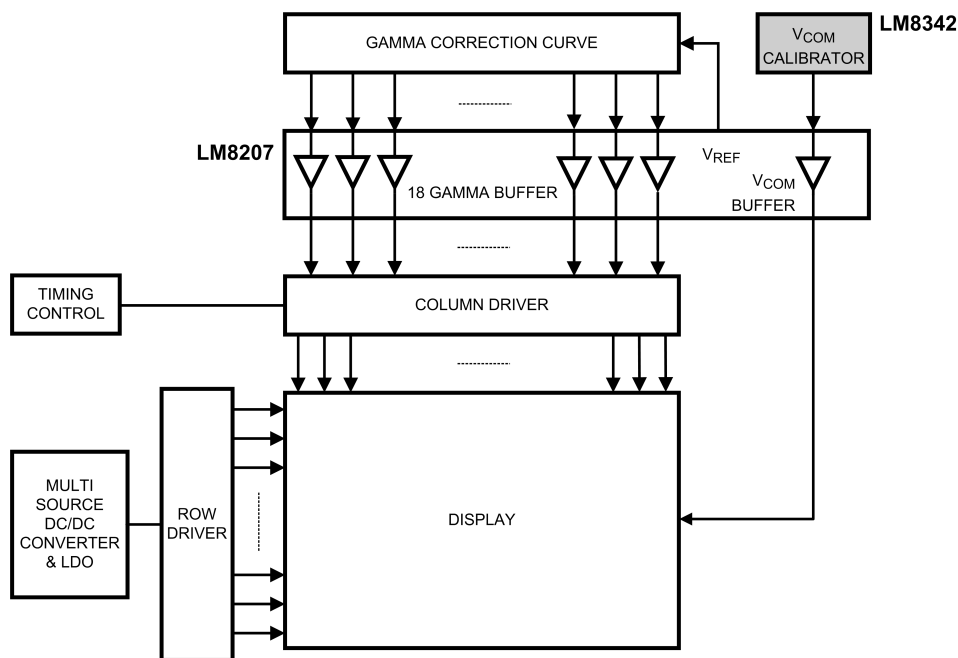


FIGURE 3. TFT Panel Block Diagram

Figure 3 shows a block diagram of a TFT panel. The  $V_{COM}$  buffer supplies a common voltage ( $V_{COM}$ ) to all the pixels in a TFT panel. In general,  $V_{COM}$  is a DC voltage that is in the middle of the gamma voltage range. Screen performance can be optimized by tuning the  $V_{COM}$  voltage in the calibration procedure. Using the LM8342, the  $V_{COM}$  calibration procedure is simplified by elimination of the potentiometer adjustment task. This task is currently performed at the factory using a trimmer adjustment tool and visual inspection, when using a stable reference voltage and a potentiometer as a voltage divider to generate the  $V_{COM}$  voltage.

#### PRINCIPLE OF OPERATION OF THE LM8342

The LM8342 is an integrated combination of a digitally controlled current sink and a non-volatile register (7 bits EEPROM). Writing data can be done using the I<sup>2</sup>C compatible interface. Data can be written to a volatile register and can also be stored in the non-volatile EEPROM. A simplified block diagram of the LM8342 is given in Figure 4.

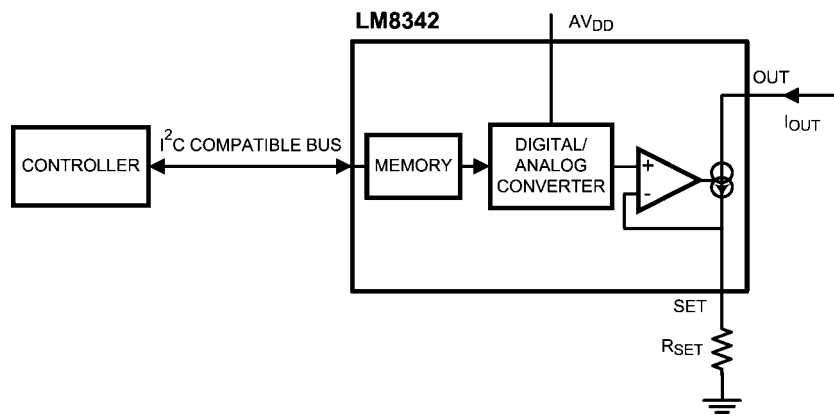


FIGURE 4. Block Diagram of the LM8342

The maximum output current of the LM8342 can be defined using an external resistor  $R_{SET}$  in combination with an analog reference voltage  $AV_{DD}$ . This maximum current can be calculated using *Equation 1*.

$$I_{OUT\_MAX} = \frac{AV_{DD}}{20} \times \frac{1}{R_{SET}} \quad (1)$$

The operating range for the output current is given in the Electrical Characteristics table on page 2. Variations of the voltage reference  $AV_{DD}$  or the external resistor  $R_{SET}$  will affect this output current. Using a resistor with a low temperature coefficient is recommended.

The relative value of  $I_{OUT}$  with respect to the maximum current can be controlled digitally in 128 steps, using the internal DAC. This results in an output current described by *Equation 2*.

$$I_{OUT} = I_{OUT\_MAX} \times \frac{DAC_{10} + 1}{128} \quad (2)$$

Using the serial interface bus the operator can store the DAC value in the LM8342s 7-bits volatile register temporarily, or permanent in the EEPROM. During a start-up sequence the LM8342 will copy the contents of the EEPROM to the register setting the DC value.

### CONTROLLING THE DEVICE

The LM8342s current sink can be programmed using a serial interface bus. Additional functions (e.g. storing data in the EEPROM) can be controlled in combination with external inputs. *Table 1* shows the pins of the LM8342 and gives a short functional description.

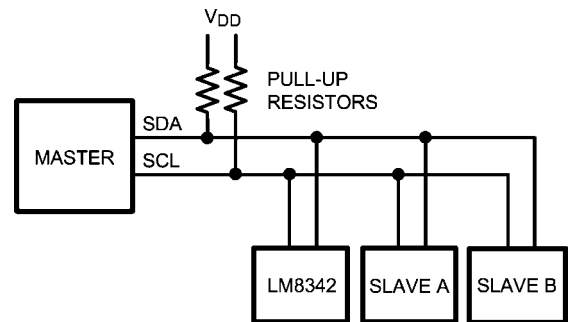
**TABLE 1. Pin Descriptions**

Pin name	Function
SDA & SCL (Serial interface bus)	The LM8342 output current can be controlled using the serial I <sup>2</sup> C compatible interface. This 2-Wire interface uses a clock and a data signal. New values can be written to the memory, or the current value can be read back from the device. The I <sup>2</sup> C compatible interface is discussed in more detail in the next chapter.
$AV_{DD}$	Analog reference voltage for the DAC.
$V_{DD}$	Supply voltage for both the analog and digital circuitry.
SET	An external resistor $R_{SET}$ connected to the SET pin determines the maximum output current, see <i>Equation 1</i> .
OUT	The output of the programmable current sink.
SCL-S	For in-circuit PCB testing, the LM8342 can use the additional Switched SCL signal (SCL-S) input for applying the SCL clock signal.

Pin name	Function
$WP_N$	“Write Protect Not” (Input) has 2 functions: 1. Prohibits programming the EEPROM, when low or left floating (Internal a pull-down resistor is connected) When $WP_N$ is set to a low level, only the volatile register is accessible. If $WP_N$ is set to a high level also the EEPROM is accessible. Actual writing to the EEPROM or the register is done using the “P-bit” in the serial communication. 2. $WP_N$ switches the SCL-S clock line. When $WP_N$ is set to a high level SCL-S is connected to SCL. The operator should turn off the original SCL clock.
$WP_P$	Write Protect Signal (Output). This is the inverted $WP_N$ signal.

### I<sup>2</sup>C SERIAL INTERFACE BUS

The LM8342 supports an I<sup>2</sup>C compatible communication protocol, which is a bidirectional bus oriented communication protocol. Any device that sends data on the bus is defined as a transmitter and the receiving device as a receiver. The I<sup>2</sup>C compatible communication protocol uses 2 wires: SDA (Serial Data Line) and SCL (Serial Clock Line). For both lines an external pull-up resistor, connected to the supply voltage, is required. The device controlling the bus is known as the master, and the device or devices being controlled are the slaves. Each device has its own specific address. The address of the LM8342 is  $9E_{HEX}$ . The master initiates the communication and provides the clock. The LM8342 always operates as a slave. A typical system using an I<sup>2</sup>C compatible interface bus is given in *Figure 5*.

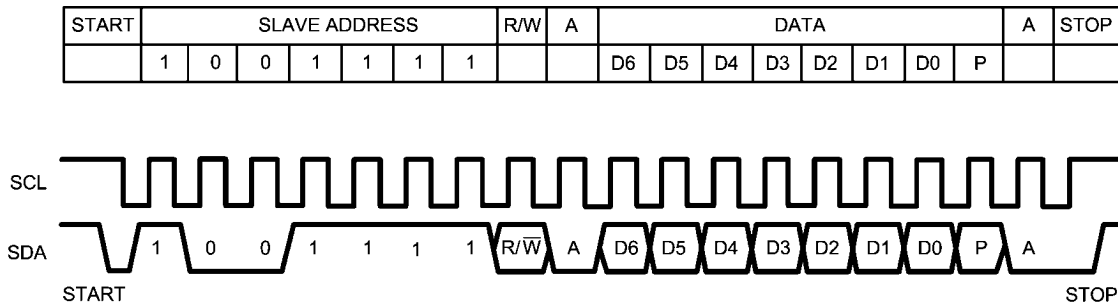


**FIGURE 5. System Using an I<sup>2</sup>C compatible Bus**

The LM8342 can be used in an I<sup>2</sup>C compatible system. All specifications of the LM8342, dealing with the interface bus, are guaranteed by design. Except for the bus speed, which is specified in the Electrical Characteristics table.

### KEY ASPECT OF I<sup>2</sup>C COMPATIBLE COMMUNICATION

In this section a brief overview is presented, discussing the key aspect of I<sup>2</sup>C compatible communication. *Figure 6* shows the timing aspects of the I<sup>2</sup>C compatible serial interface.



**FIGURE 6. Timing Diagram**

The timing diagram shows the major aspect of the communication protocol and represents a typical data stream. In case a master wants to setup a data transfer, it tests if “the bus is busy.” If it is not busy, then the master starts the data transfer by creating a “start data transfer” situation. Accordingly the corresponding receiver is selected by sending the appropriate “slave address.” This receiver gives an “acknowledge” on recognizing its address on the bus. The master continues the data transfer by sending the data stream. Again the receiver gives an “acknowledge” after receipt. Depending on the amount of data the master will continue or create a “stop data transfer” situation. *Table 2* gives a more detailed description of the I<sup>2</sup>C compatible communication.

**TABLE 2. Detailed Description of I<sup>2</sup>C compatible Communication Definitions**

Bus not busy	The I <sup>2</sup> C compatible bus is not busy when both data (SDA) and clock (SCL) lines remain HIGH. The controller can initiate data transfer only when the bus is not busy.
Start Data Transfer	Starting from an idle state (bus not busy) a START condition consists of a HIGH to LOW transition of SDA while SCL is HIGH. All commands must start with a START condition.
Slave address	After generating a start condition, the master transmits a 7-bit slave address. (The LM8342 uses the 8th bit for selecting the R/W operation, but this does not affect the address.) The address for the LM8342 is 9E <sub>HEX</sub> .
R/W-bit	If the value of the R/W bit is HIGH, the data is read from the register of the LM8342. Otherwise the current DAC setting is written to the LM8342.

Acknowledge	A receive device, when addressed, is obliged to generate an “acknowledge” after the reception of each byte. The master generates an extra clock cycle that is associated with this acknowledge bit. The receiver has to pull down the SDA line during the acknowledge clock pulse so that the SDA line is stable LOW during the HIGH period of SCL, with respect to the SCL timing specifications.
Data byte	A data byte consists of 8 bits. 7 bits are used for the DAC setting of the LM8342. The 8th bit is known as the P-bit.
P-bit	The function of the P-bit depends on the Read/Write operation (R/W-bit). During a Read operation of the LM8342, the P-bit indicates the programming state of the EEPROM. During a Write operation, the register or both the register and the EEPROM of the LM8342 can be selected as destination. A more detailed description of the P-bit is given in <i>Table 3</i> .
Stop Data Transfer	A STOP condition consists of a LOW to HIGH transition of SDA while SCL is HIGH. All operations must be ended with a STOP condition.

TABLE 3. P-bit Truth Table

Operation	P-bit	Description
Read	1	Programming Ready
Read	0	Programming Busy (don't turn off the device)
Write	1	Register Write
Write	0	EEPROM Write

The LM8342 can be used in I<sup>2</sup>C compatible systems with clock speeds of up to 400 kbps (Fast mode). For low speed applications, an initial resistor value for the pull-up resistors is 15 kΩ is suitable. When increasing the speed of the interface bus, the user should decrease the value of the pull-up resistors.

## Typical Application

The following section discusses two typical applications for the LM8342. In the first application the LM8342 is used as a programmable current sink, for example to drive a programmable bias generator. In the second application the LM8342 is used to adjust the voltage level of a V<sub>COM</sub> driver.

### PROGRAMMABLE CURRENT SINK

As described in the "Principle of Operation of the LM8342" section the LM8342 basically operates as a programmable current sink. Figure 7 shows a general current sink application.

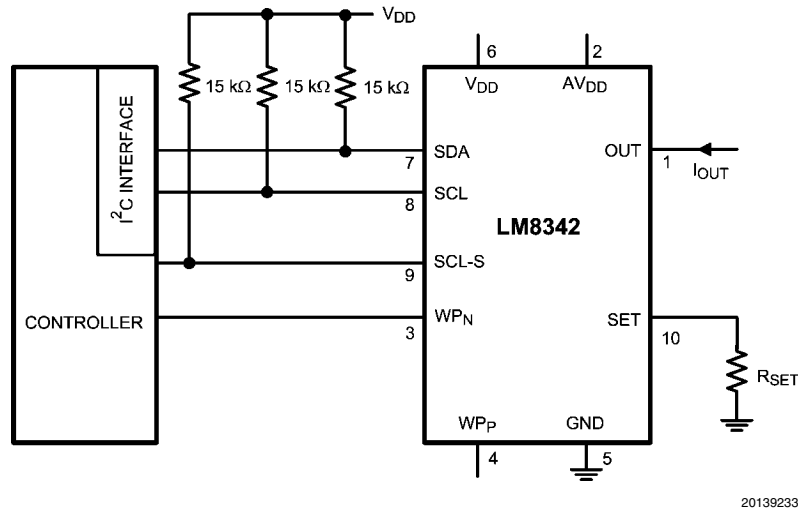


FIGURE 7. Programmable Current Sink

The output current of the LM8342 can be calculated using Equation 3.

$$I_{OUT} = \frac{AV_{DD}}{20} \times \frac{1}{R_{SET}} \times \frac{DAC_{10} + 1}{128} \quad (3)$$

### DRIVING A V<sub>COM</sub> LEVEL

Another typical application, given in Figure 8, is using the LM8342 to adjust the "voltage tap" of a resistive voltage divider. The V<sub>COM</sub> driver buffers the "voltage tap" in this application.

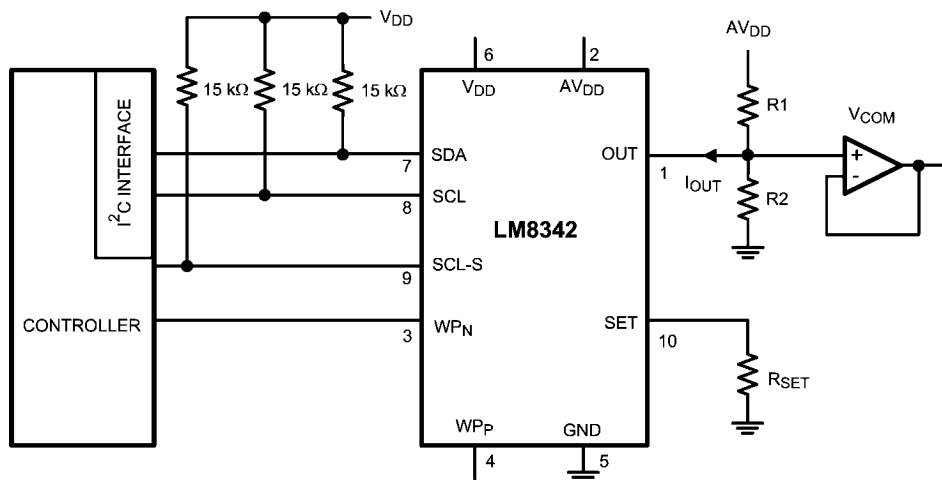


FIGURE 8. Typical Application Driving a V<sub>COM</sub> Level

The voltage level of the  $V_{COM}$  driver, for a general setting of ( $DAC_{10}$ ), is calculated using Equation 4.

$$V_{COM} = AV_{DD} \times \left( \frac{R2}{R1 + R2} \right) \times \left( 1 - \frac{(DAC_{10} + 1) \times R1}{128 \times R_{SET} \times 20} \right) \quad (4)$$

For calibrating the  $V_{COM}$  level (see Figure 8) the tuning range of the design needs to be aligned to the required  $V_{COM}$  tuning range ( $\Delta V_{COM}$ ). Figure 9 gives a graphical presentation of the desired voltage levels.

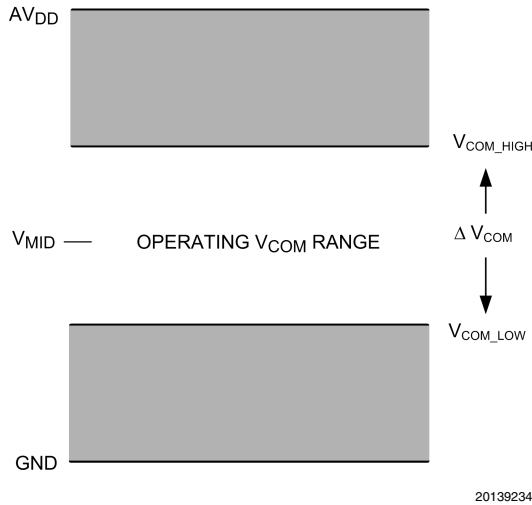


FIGURE 9.  $V_{COM}$  Voltage Levels

Assume the calibrator needs to cover the voltage range given in Equation 5.

$$\Delta V_{COM} = V_{COM\_HIGH} - V_{COM\_LOW} \quad (5)$$

The limits of  $V_{COM}$  for  $DAC_{10} = 0$  (high limit) and  $DAC_{10} = 127$  (low limit) are given by:

$$V_{COM\_HIGH} = AV_{DD} \times \left( \frac{R2}{R1 + R2} \right) \times \left( 1 - \frac{R1}{128 \times R_{SET} \times 20} \right) \quad (6)$$

$$V_{COM\_LOW} = AV_{DD} \times \left( \frac{R2}{R1 + R2} \right) \times \left( 1 - \frac{R1}{R_{SET} \times 20} \right) \quad (7)$$

Using Equation 5, Equation 6, and Equation 7 the value for resistors R1 and R2 can be obtained, resulting in Equation 8 and Equation 9:

$$R1 = \frac{40 \times R_{SET} \times \Delta V_{COM}}{AV_{DD} + \Delta V_{COM}} \quad (8)$$

and

$$R2 = \frac{40 \times R_{SET} \times \Delta V_{COM}}{AV_{DD} - \Delta V_{COM}} \quad (9)$$

Table 4 gives an overview of resistor values for a typical value of  $AV_{DD}$ , and 2  $R_{SET}$  values. All settings are for a  $V_{COM}$  level at  $V_{MID} = \frac{1}{2} AV_{DD}$ , and a maximum variation of  $\Delta V_{COM}$ .

$$V_{MID} - \frac{1}{2} \Delta V_{COM} < V_{COM} < V_{MID} + \frac{1}{2} \Delta V_{COM} \quad (10)$$

**TABLE 4. Overview Resistor Values for Different  $R_{SET}$  Settings at  $AV_{DD} = 15V$**

$AV_{DD} = 15V$ ( $V_{COM}$ Level = 7.5 V)					
$R_{SET} = 10\text{ k}\Omega$			$R_{SET} = 45\text{ k}\Omega$		
$\Delta V_{COM}$ (V)	R1 ( $\Omega$ )	R2 ( $\Omega$ )	$\Delta V_{COM}$ (V)	R1 ( $\Omega$ )	R2 ( $\Omega$ )
$\pm 0.5$	25k	28.6k	$\pm 0.5$	113k	129k
$\pm 1$	47.1k	61.5k	$\pm 1$	212k	277k
$\pm 1.5$	66.7k	100k	$\pm 1.5$	300k	450k
$\pm 2$	84.2k	146k	$\pm 2$	379k	655k
$\pm 2.5$	100k	200k	$\pm 2.5$	450k	900k
$\pm 3$	114k	267k	$\pm 3$	514k	1.2M

### EVALUATION SYSTEM

For the LM8342 a complete evaluation system is available, including two boards. *Figure 10* gives a schematic representation.

- **LM8342 Evaluation Board**

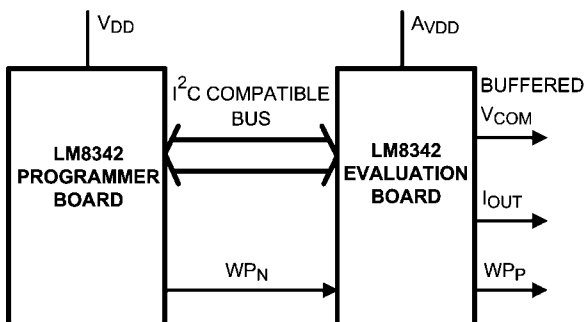
This board demonstrates the functionality of the LM8342 using the I<sup>2</sup>C compatible interface for communication. The LM8342 can easily be demonstrated in 2 applications:

- Programmable current sink
- Programmable  $V_{COM}$  level driver

- **LM8342 Programmer Board**

This test board has dedicated functionality for communicating with the LM8342, using the I<sup>2</sup>C compatible interface. This board can operate in two different modes:

- **Write mode:** The digitized value of a potentiometer setting is written to the LM8342. The user can select on the programmer board to write the data to the register or to store the data in the EEPROM.
- **Read mode:** The board reads the stored values from the LM8342's EEPROM and presents this data onto a 3-digit display.



20139232

**FIGURE 10. LM8342 Evaluation System**

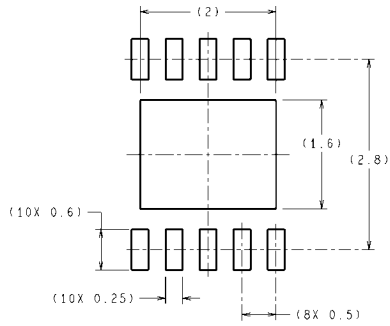
### LAYOUT RECOMMENDATIONS

A proper layout is necessary for optimum performance of the LM8342. A low impedance and proper ground plane (free of disturbances) is recommended, since a current of up to 10 mA can flow with HF contents during programming. The traces from the GND pin to the ground plane should be as short as possible. It is recommended to place decoupling capacitors close to the V<sub>DD</sub> and AV<sub>DD</sub> pins. Connections of these decoupling capacitors to the ground plane should be short.

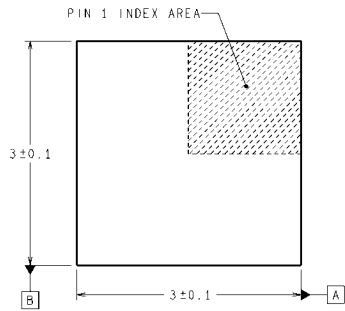
As SET is a sensitive input, crosstalk to that pin should be prevented. Special care should be taken when routing the interface connections. The signals on the serial interface can be more than 60 dB larger than the equivalent LSB at the SET input pin. Crosstalk between the interface bus and R<sub>SET</sub> results in disturbance of the output current I<sub>OUT</sub> of the LM8342.

For applications requiring a low output current (using high values for R<sub>SET</sub> in combination with low DAC settings) special attention should be paid to the parasitic capacitance (C<sub>PAR</sub>) parallel to R<sub>SET</sub>. For C<sub>PAR</sub> larger than tens of pF, a small (<1 LSB) unwanted ripple at the output current might be obtained. It is recommended to place the R<sub>SET</sub> resistor close to the LM8342, in combination with a good board layout to reduce this parasitic capacitance.

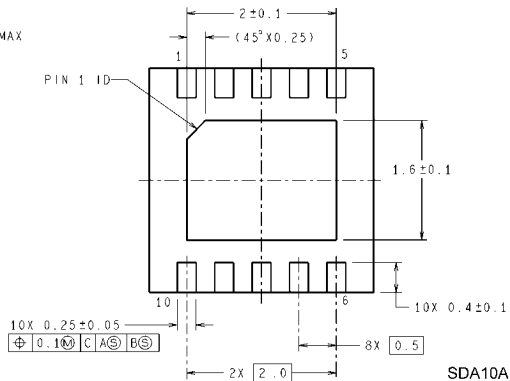
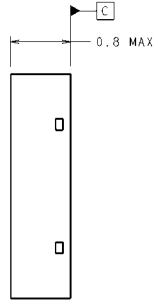
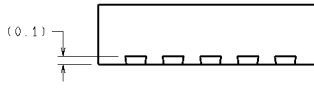
**Physical Dimensions** inches (millimeters) unless otherwise noted



RECOMMENDED LAND PATTERN



DIMENSIONS ARE IN MILLIMETERS  
DIMENSIONS IN ( ) FOR REFERENCE ONLY



SDA10A (Rev A)

**10-Pin LLP  
NS Package Number SDA10A**



## Notes

For more National Semiconductor product information and proven design tools, visit the following Web sites at:

Products		Design Support	
Amplifiers	<a href="http://www.national.com/amplifiers">www.national.com/amplifiers</a>	WEBENCH	<a href="http://www.national.com/webench">www.national.com/webench</a>
Audio	<a href="http://www.national.com/audio">www.national.com/audio</a>	Analog University	<a href="http://www.national.com/AU">www.national.com/AU</a>
Clock Conditioners	<a href="http://www.national.com/timing">www.national.com/timing</a>	App Notes	<a href="http://www.national.com/appnotes">www.national.com/appnotes</a>
Data Converters	<a href="http://www.national.com/adc">www.national.com/adc</a>	Distributors	<a href="http://www.national.com/contacts">www.national.com/contacts</a>
Displays	<a href="http://www.national.com/displays">www.national.com/displays</a>	Green Compliance	<a href="http://www.national.com/quality/green">www.national.com/quality/green</a>
Ethernet	<a href="http://www.national.com/ethernet">www.national.com/ethernet</a>	Packaging	<a href="http://www.national.com/packaging">www.national.com/packaging</a>
Interface	<a href="http://www.national.com/interface">www.national.com/interface</a>	Quality and Reliability	<a href="http://www.national.com/quality">www.national.com/quality</a>
LVDS	<a href="http://www.national.com/lvds">www.national.com/lvds</a>	Reference Designs	<a href="http://www.national.com/refdesigns">www.national.com/refdesigns</a>
Power Management	<a href="http://www.national.com/power">www.national.com/power</a>	Feedback	<a href="http://www.national.com/feedback">www.national.com/feedback</a>
Switching Regulators	<a href="http://www.national.com/switchers">www.national.com/switchers</a>		
LDOs	<a href="http://www.national.com/lido">www.national.com/lido</a>		
LED Lighting	<a href="http://www.national.com/led">www.national.com/led</a>		
PowerWise	<a href="http://www.national.com/powerwise">www.national.com/powerwise</a>		
Serial Digital Interface (SDI)	<a href="http://www.national.com/sdi">www.national.com/sdi</a>		
Temperature Sensors	<a href="http://www.national.com/tempsensors">www.national.com/tempsensors</a>		
Wireless (PLL/VCO)	<a href="http://www.national.com/wireless">www.national.com/wireless</a>		

THE CONTENTS OF THIS DOCUMENT ARE PROVIDED IN CONNECTION WITH NATIONAL SEMICONDUCTOR CORPORATION ("NATIONAL") PRODUCTS. NATIONAL MAKES NO REPRESENTATIONS OR WARRANTIES WITH RESPECT TO THE ACCURACY OR COMPLETENESS OF THE CONTENTS OF THIS PUBLICATION AND RESERVES THE RIGHT TO MAKE CHANGES TO SPECIFICATIONS AND PRODUCT DESCRIPTIONS AT ANY TIME WITHOUT NOTICE. NO LICENSE, WHETHER EXPRESS, IMPLIED, ARISING BY ESTOPPEL OR OTHERWISE, TO ANY INTELLECTUAL PROPERTY RIGHTS IS GRANTED BY THIS DOCUMENT.

TESTING AND OTHER QUALITY CONTROLS ARE USED TO THE EXTENT NATIONAL DEEMS NECESSARY TO SUPPORT NATIONAL'S PRODUCT WARRANTY. EXCEPT WHERE MANDATED BY GOVERNMENT REQUIREMENTS, TESTING OF ALL PARAMETERS OF EACH PRODUCT IS NOT NECESSARILY PERFORMED. NATIONAL ASSUMES NO LIABILITY FOR APPLICATIONS ASSISTANCE OR BUYER PRODUCT DESIGN. BUYERS ARE RESPONSIBLE FOR THEIR PRODUCTS AND APPLICATIONS USING NATIONAL COMPONENTS. PRIOR TO USING OR DISTRIBUTING ANY PRODUCTS THAT INCLUDE NATIONAL COMPONENTS, BUYERS SHOULD PROVIDE ADEQUATE DESIGN, TESTING AND OPERATING SAFEGUARDS.

EXCEPT AS PROVIDED IN NATIONAL'S TERMS AND CONDITIONS OF SALE FOR SUCH PRODUCTS, NATIONAL ASSUMES NO LIABILITY WHATSOEVER, AND NATIONAL DISCLAIMS ANY EXPRESS OR IMPLIED WARRANTY RELATING TO THE SALE AND/OR USE OF NATIONAL PRODUCTS INCLUDING LIABILITY OR WARRANTIES RELATING TO FITNESS FOR A PARTICULAR PURPOSE, MERCHANTABILITY, OR INFRINGEMENT OF ANY PATENT, COPYRIGHT OR OTHER INTELLECTUAL PROPERTY RIGHT.

### LIFE SUPPORT POLICY

**NATIONAL'S PRODUCTS ARE NOT AUTHORIZED FOR USE AS CRITICAL COMPONENTS IN LIFE SUPPORT DEVICES OR SYSTEMS WITHOUT THE EXPRESS PRIOR WRITTEN APPROVAL OF THE CHIEF EXECUTIVE OFFICER AND GENERAL COUNSEL OF NATIONAL SEMICONDUCTOR CORPORATION.** As used herein:

Life support devices or systems are devices which (a) are intended for surgical implant into the body, or (b) support or sustain life and whose failure to perform when properly used in accordance with instructions for use provided in the labeling can be reasonably expected to result in a significant injury to the user. A critical component is any component in a life support device or system whose failure to perform can be reasonably expected to cause the failure of the life support device or system or to affect its safety or effectiveness.

National Semiconductor and the National Semiconductor logo are registered trademarks of National Semiconductor Corporation. All other brand or product names may be trademarks or registered trademarks of their respective holders.

Copyright© 2008 National Semiconductor Corporation

For the most current product information visit us at [www.national.com](http://www.national.com)



**National Semiconductor Americas Technical Support Center**  
 Email: [support@nsc.com](mailto:support@nsc.com)  
 Tel: 1-800-272-9959

**National Semiconductor Europe Technical Support Center**  
 Email: [europe.support@nsc.com](mailto:europe.support@nsc.com)  
 German Tel: +49 (0) 180 5010 771  
 English Tel: +44 (0) 870 850 4288

**National Semiconductor Asia Pacific Technical Support Center**  
 Email: [ap.support@nsc.com](mailto:ap.support@nsc.com)

**National Semiconductor Japan Technical Support Center**  
 Email: [jpn.feedback@nsc.com](mailto:jpn.feedback@nsc.com)