

PRELIMINARY


**Advanced  
Micro  
Devices**

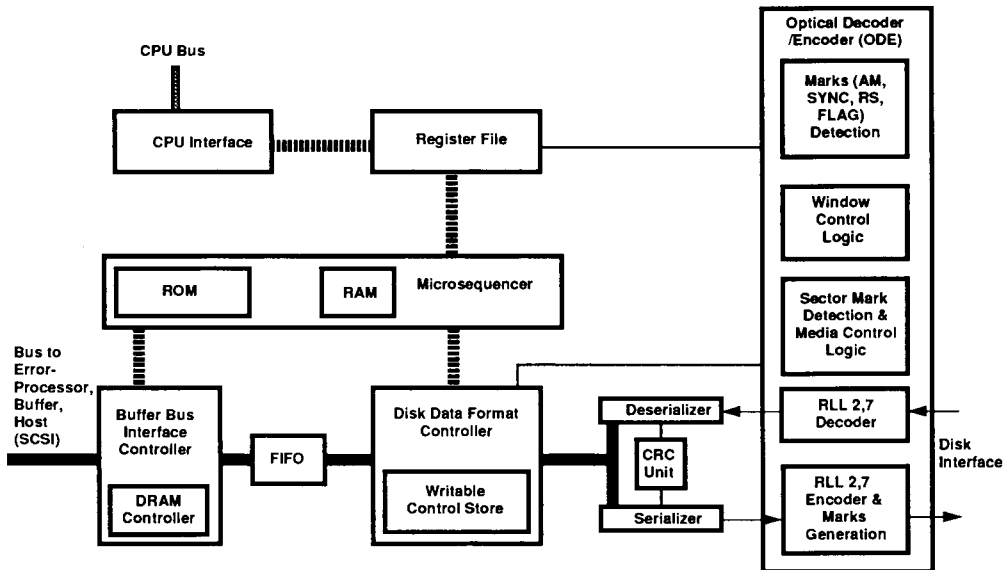
# Am95C98

## Integrated Optical Disk Controller

### DISTINCTIVE CHARACTERISTICS

- Supports X3B11 (1990) Continuous Composite Servo WORM/Erasable Optical Formats for both 90 mm and 130 mm drives
- 2,7 RLL Encoder/Decoder
- User programmable disk format functions
- High Level Command Set
- Supports Intelligent SCSI-type Interfaces
- On-chip Buffer Management with direct support of up to 4 MBytes of DRAM
- Performs sector, address, sync marks and resync bytes detection and generation
- Supports zone bit recording
- High-speed Operation up to 25 Mbits/s NRZ data rate (50 Mbits/s RLL)
- 20 MHz System Clock
- Employs data recovery schemes for corrupted data
- Supports drives with ODF (Mirror Mark) and Written Flag
- Handles error correction in conjunction with the Am95C94 Advanced Burst Error Processor (ABEP)

### INTERNAL BLOCK DIAGRAM



15940B-014A

**GENERAL DESCRIPTION**

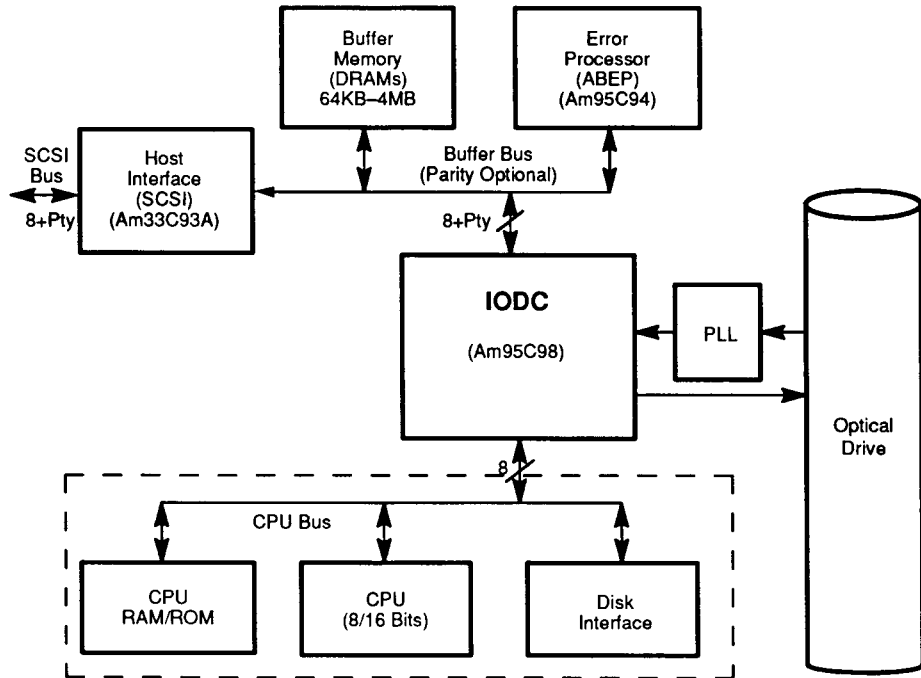
The Integrated Optical Disk Data Controller (IODC) is a highly programmable optical disk data format controller designed for use in ISO/ANSI X3B11 standard applications. The device has been optimized for applications utilizing an embedded SCSI disk data manager, but it easily supports other intelligent proprietary interfaces as well.

As an embedded controller, the IODC translates data between the RLL and NRZ domains, and monitors the special marks or patterns specified by the X3B11 standard. IODC can tolerate or recover from situations involving media defects. It also handles the timing of all disk read/write control signals, the transfer of data between the disk and buffer RAM, and the transfer of data between a parallel host interface and buffer RAM. The IODC performs all buffer management and arbitration associated with this transfer of data while maintaining data integrity by using a dedicated interface to AMD's Am95C94 an external, high-performance Advanced Burst Error Processor (ABEP). In addition, the IODC can perform advanced data mapping operations during data transfer, simplifying the task of cache management. The IODC can handle up to 4 MB of data buffer Dynamic RAM directly, including address multiplexing and refresh, with no external logic.

The IODC acts as an intelligent peripheral to a microprocessor or microcontroller. In an embedded SCSI disk controller application, the control CPU (referred to in this document as simply the CPU), interprets all SCSI commands and controls disk head positioning and head selection, while the IODC handles all data transfers. The CPU sets up and initiates IODC operation by modifying as few as six IODC registers. IODC registers are directly addressable, and can be read or written directly with either an iAPX-multiplexed address/data bus, or a Motorola 68xxx-type non-multiplexed bus interface.

A dedicated interface to an external error processor permits the IODC to cope with the high error rates associated with optical media. Through this interface, the IODC, in combination with the ABEP chip can correct an error in as little as 10  $\mu$ s. The ABEP supports 5- or 10-way interleaving with optional overlay CRC capability. The ABEP can correct up to 80 errors in a single sector in less than a millisecond. With this error-correction capability, the IODC and ABEP can perform on-the-fly error correction without missing a sector. In spiral formatted media, this avoids the need for the head to seek back in order to access a missed sector.

**SYSTEM DIAGRAM**



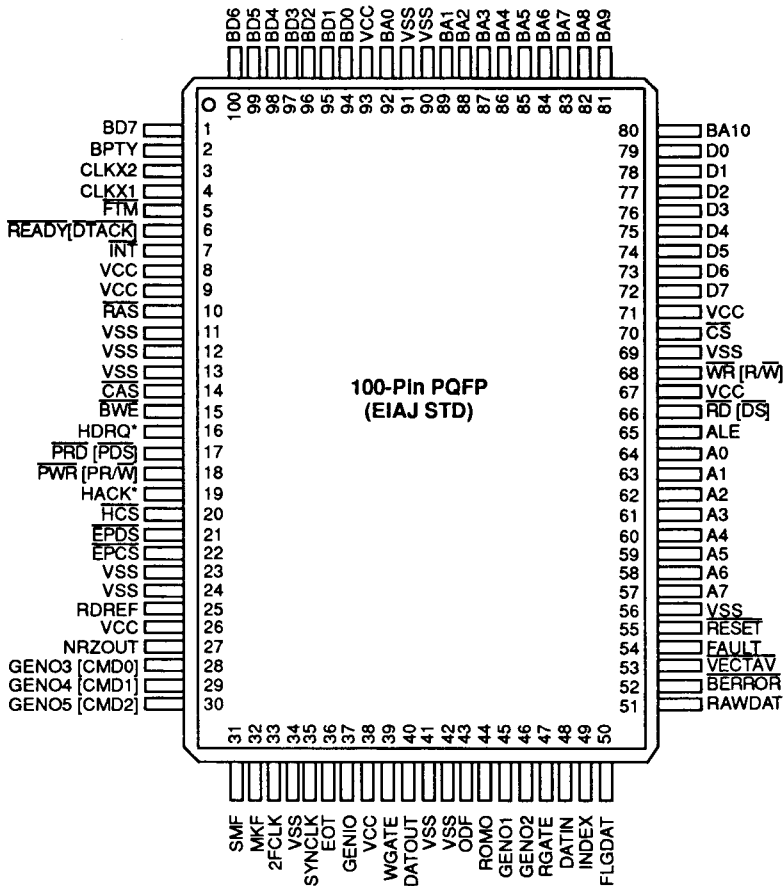
15940B-001C

**IODC-based Optical Disk Controller**

RELATED AMD PRODUCTS

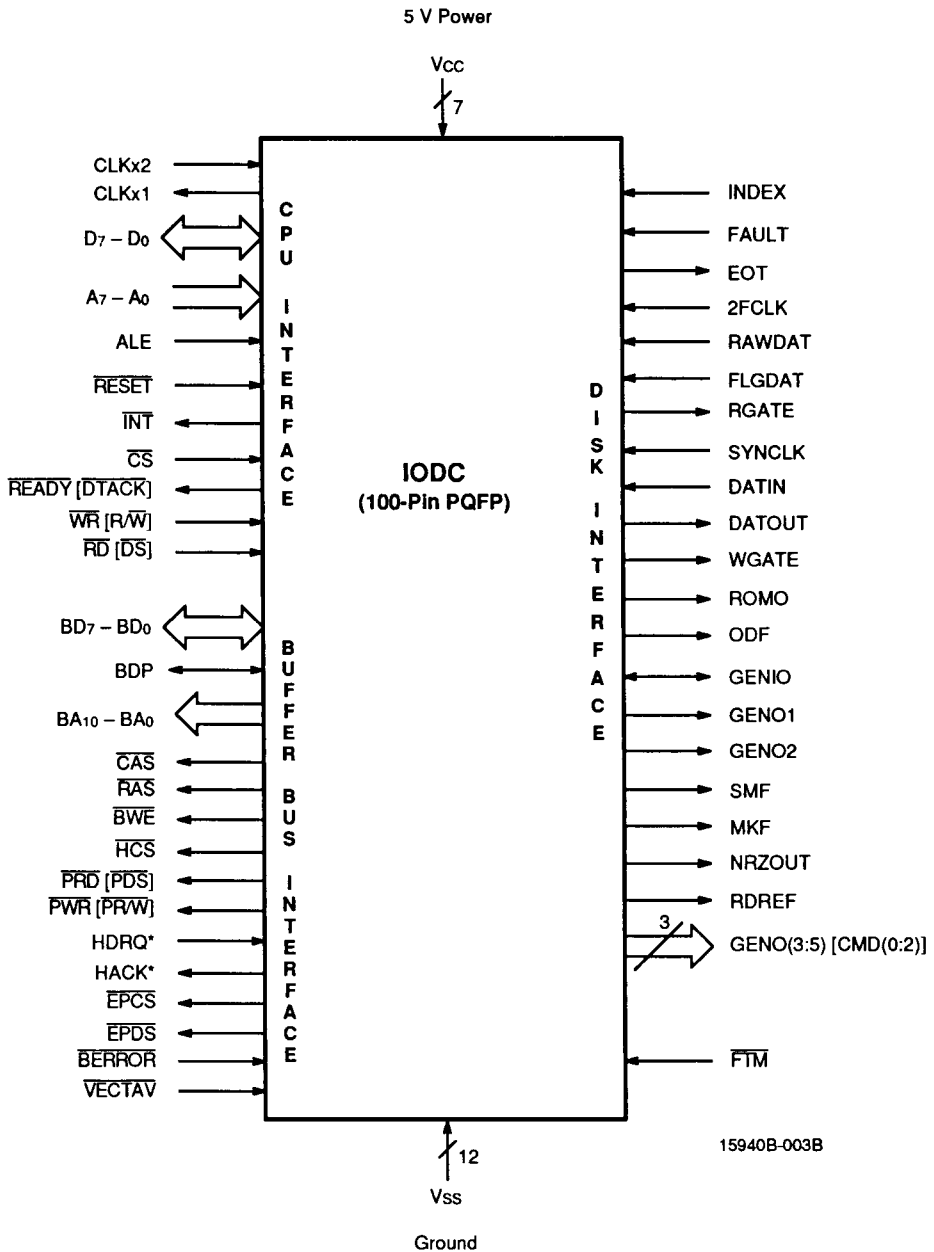
Part Number	Description
Am33C93A	SCSI Controller
Am53C80	SCSI Controller
Am53C94	SCSI Controller
Am53C96	SCSI Controller
Am80188	Microprocessor
Am80C188	Microprocessor
Am80C186	Microprocessor
Am80286	Microprocessor
Am80C286	Microprocessor
Am95C94	Advanced Burst Error Processor
Am95C96	Optical Disk Controller

CONNECTION DIAGRAM



\*These pins have programmable polarity.

LOGIC SYMBOL

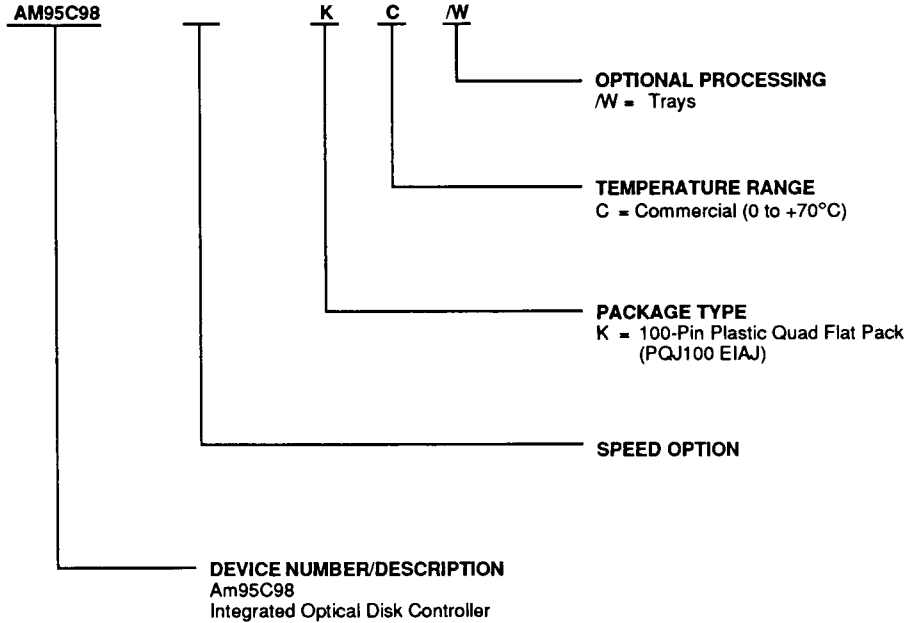


\*These pins have programmable polarity.

**ORDERING INFORMATION**

**Standard Products**

AMD standard products are available in several packages and operating ranges. The order number (Valid Combination) is formed by a combination of:



Valid Combinations	
AM95C98	KC/W

**Valid Combinations**

Valid Combinations list configurations planned to be supported in volume for this device. Consult the local AMD sales office to confirm availability of specific valid combinations or to check on newly released combinations, and to obtain additional data on AMD's standard military grade products.

## Sales Offices

### North American

ALABAMA	(205) 882-9122
ARIZONA	(602) 242-4400
CALIFORNIA,	
Culver City	(213) 645-1524
Newport Beach	(714) 752-6262
Sacramento(Roseville)	(916) 786-6700
San Diego	(619) 560-7030
San Jose	(408) 452-0500
Woodland Hills	(818) 992-4155
CANADA, Ontario,	
Kanata	(613) 592-0060
Willowdale	(416) 224-5193
COLORADO	(303) 741-2900
CONNECTICUT	(203) 264-7800
FLORIDA,	
Clearwater	(813) 530-9971
Ft. Lauderdale	(305) 776-2001
Orlando (Longwood)	(407) 862-9292
GEORGIA	(404) 449-7920
IDAHO	(208) 377-0393
ILLINOIS,	
Chicago (Itasca)	(708) 773-4422
Naperville	(708) 505-9517
MARYLAND	(301) 381-3790
MASSACHUSETTS	(617) 273-3970
MINNESOTA	(612) 938-0001
NEW JERSEY,	
Cherry Hill	(609) 662-2900
Parsippany	(201) 299-0002
NEW YORK,	
Brewster	(914) 279-8323
Rochester	(716) 425-8050
NORTH CAROLINA	
Charlotte	(704) 875-3091
Raleigh	(919) 878-8111
OHIO,	
Columbus (Westerville)	(614) 891-6455
Dayton	(513) 439-0268
OREGON	(503) 245-0080
PENNSYLVANIA	(215) 398-8006
TEXAS,	
Austin	(512) 346-7830
Dallas	(214) 934-9099
Houston	(713) 376-8084

### International

BELGIUM, Antwerpen	TEL (03) 248 43 00	FAX (03) 248 46 42
FRANCE, Paris	TEL (1) 49-75-10-10	FAX (1) 49-75-10-13
GERMANY,		
Bad Homburg	TEL (06172) 24061	FAX (06172) 23195
München	TEL (089) 4114-0	FAX (089) 406490
HONG KONG,		
Wanchai	TEL (852) 865-4525	FAX (852) 865-1147
ITALY, Milano	TEL (02) 3390541	FAX (02) 38103458
JAPAN,		
Atsugi	TEL (0462) 29-8460	FAX (0462) 29-8458
Kanagawa	TEL (0462) 47-2911	FAX (0462) 47-1729
Tokyo	TEL (03) 3346-7550	FAX (03) 3342-5196
Osaka	TEL (06) 243-3250	FAX (06) 243-3253
KOREA, Seoul	TEL (82) 2-784-7598	

### International (Continued)

LATIN AMERICA,		
Ft. Lauderdale	TEL (305) 484-8600	FAX (305) 485-9736
SINGAPORE	TEL (65) 3481188	FAX (65) 3480161
SWEDEN,		
Stockholm area	TEL (08) 98 61 80	FAX (08) 98 09 06
(Bromma)	TEL (886) 2-7153536	FAX (886) 2-7122183
TAIWAN, Taipei	TEL (886) 2-7153536	FAX (886) 2-7122183
UNITED KINGDOM,		
Manchester area	TEL (0925) 828008	FAX (0925) 827693
(Warrington)	TEL (0483) 740440	FAX (0483) 756196
London area	TEL (0483) 740440	FAX (0483) 756196
(Woking)	TEL (0483) 756196	FAX (0483) 756196

### North American Representatives

CANADA	
Burnaby, B.C. - DAVETEK MARKETING	(604) 430-3680
Kanata, Ontario - VITEL ELECTRONICS	(613) 592-0060
Mississauga, Ontario - VITEL ELECTRONICS	(416) 676-9720
Lachine, Quebec - VITEL ELECTRONICS	(514) 636-5951
ILLINOIS	
Skokie - INDUSTRIAL REPRESENTATIVES, INC	(708) 967-8430
INDIANA	
Huntington - ELECTRONIC MARKETING CONSULTANTS, INC	(317) 921-3450
Indianapolis - ELECTRONIC MARKETING CONSULTANTS, INC	(317) 921-3450
IOWA	
LORENZ SALES	(319) 377-4666
KANSAS	
Merriam - LORENZ SALES	(913) 469-1312
Wichita - LORENZ SALES	(316) 721-0500
KENTUCKY	
ELECTRONIC MARKETING CONSULTANTS, INC	(317) 921-3452
MICHIGAN	
Birmingham - MIKE RAICK ASSOCIATES	(313) 644-5040
Holland - COM-TEK SALES, INC	(616) 335-8418
Novi - COM-TEK SALES, INC	(313) 227-0007
MINNESOTA	
Mel Foster Tech. Sales, Inc.	(612) 941-9790
MISSOURI	
LORENZ SALES	(314) 997-4558
NEBRASKA	
LORENZ SALES	(402) 475-4660
NEW MEXICO	
THORSON DESERT STATES	(505) 883-4343
NEW YORK	
East Syracuse - NYCOM, INC	(315) 437-8343
Hauppauge - COMPONENT CONSULTANTS, INC	(516) 273-5050
OHIO	
Centerville - DOLFUSS ROOT & CO	(513) 433-6776
Columbus - DOLFUSS ROOT & CO	(614) 885-4844
Westlake - DOLFUSS ROOT & CO	(216) 899-9370
OREGON	
ELECTRA TECHNICAL SALES, INC	(503) 643-5074
PENNSYLVANIA	
RUSSELL F. CLARK CO. INC	(412) 242-9500
PUERTO RICO	
COMP REP ASSOC, INC	(809) 746-6550
WASHINGTON	
ELECTRA TECHNICAL SALES	(206) 821-7442
WISCONSIN	
Brookfield - INDUSTRIAL REPRESENTATIVES, INC	(414) 789-9393
UTAH	
Front Range Marketing	(801) 264-2900

Advanced Micro Devices reserves the right to make changes in its product without notice in order to improve design or performance characteristics. The performance characteristics listed in this document are guaranteed by specific tests, guard banding, design and other practices common to the industry. For specific testing details, contact your local AMD sales representative. The company assumes no responsibility for the use of any circuits described herein.



RECYCLED & RECYCLABLE

Advanced Micro Devices, Inc. 901 Thompson Place, P.O. Box 3453, Sunnyvale, CA 94088, USA  
Tel: (408) 732-2400 • TWX: 910-339-9280 • TELEX: 34-6306 • TOLL FREE: (800) 538-8450  
APPLICATIONS HOTLINE & LITERATURE ORDERING • TOLL FREE: (800) 222-9323 • (408) 749-5703

© 1992 Advanced Micro Devices, Inc.  
NSP-4500-5/92-0 3/18/92  
Printed in USA

APR 27 1993

030732 ✓ R