



SurLok Plus™ EMI Version

Amphenol Industrial Operations now offers an 8.0mm SurLok Plus™ product with EMI protection.

The SurLok Plus™ compression lug is a field installable, highly reliable alternative to common compression lugs. Using industry standard crimp, screw, and busbar termination options, thus eliminating the need to purchase special torque tools.

Amphenol's SurLok Plus™ is environmentally sealed and features a quick lock and press-to-release design. Incorporating the latest R4 RADSOK® Technology, SurLok Plus™ is a compact, quick mating, and robust product line.

The RADSOK® high amperage contact technology utilizes high tensile strength properties of a stamped and formed, high conductivity alloy grid to produce low insertion forces while maintaining a large conductive surface area.

The R4 version of the RADSOK® represents the culmination of three years of research and development in laser welding copper based alloys.

The SurLok Plus™ EMI version has all of the high performance of the original but features EMI shielding which lends itself well to the EV market and its applications.

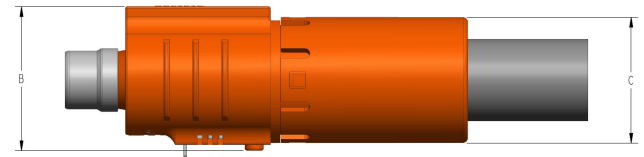
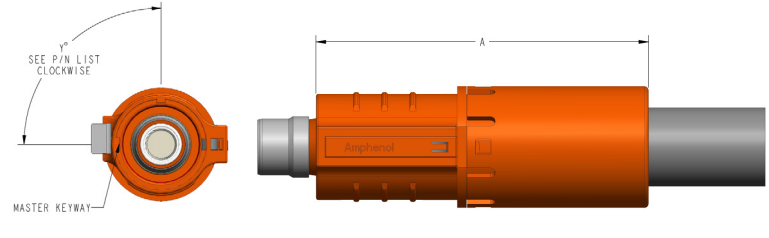
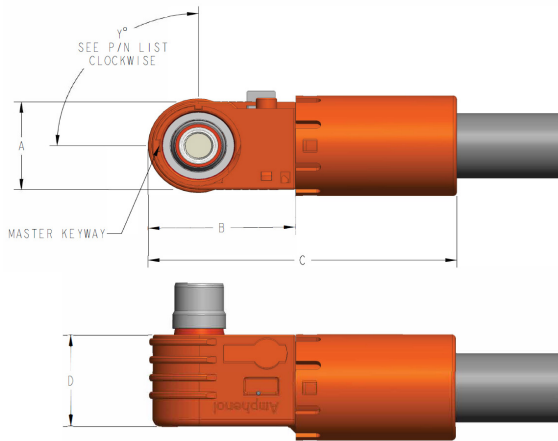
Features:

- EMI shielding
- HVIL function
- Secondary locking system
- Flammability: UL 94 V-0
- Wide amperage range: Up to 250A
- RoHS compliant

Technical Data			
Contact Size	8.0mm	IP Rating	IP 67
Current Rating	Up to 250A	Protection	Touch Proof
Operating Voltage	1000V AC/DC	Flammability	UL 94-V0
Operating Temp	-40°C to 125°C	Locking	Spring Locking

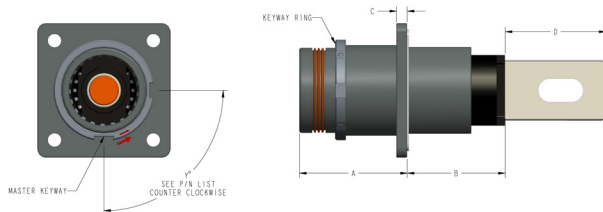
The markets and applications for the SurLok Plus™ EMI Version series include but are not limited to the following:

- EV/HEV
- Process Control/Automation
- BMS/Energy Storage
- Heavy Equipment



Size	Right Angle Plug Dimensions			
	A	B	C	D
8.0mm	26.2	41.2	86.2	25.8

Size	Straight Plug Dimensions		
	A	B	C
8.0mm	82.5	34.3	30.0



Size	Receptacle Dimensions			
	A	B	C	D
8.0mm	25.15	22.85	2.5	23.5

Product Series: SurLok Plus™ EMI Version	Plug	RADSOK® Size	Applicable Cable Size		Backshells	Sealing	Connector Color		Keyway		EMI	HVIL (Optional)					
			B	8.0mm			S	IP67 Sealed (W/ Grommet & O-Rings)	O	Orange			0	90°			
PLUG	SLP	B	8.0mm	35	35mm² : 150 Amps	B	W/ Backshells	S	IP67 Sealed (W/ Grommet & O-Rings)	O	Orange	1	270°	E	EMI	H	HVIL
				50	50mm² : 200 Amps					N	W/O Backshells (For Overmolding Only)	N	Non-Sealed				
	70	70mm² : 250 Amps	3	120°													
	IP	Straight Plug	4	150°													

Product Series: SurLok Plus™ EMI Version	Receptacle	RADSOK® Size	Termination Style	Panel Mount	Sealing	Connector Color		Keyway		EMI	HVIL (Optional)						
						S	IP67 Sealed (W/ Grommet & O-Rings)	O	Orange			0	90°				
RECEPTACLE	SLP	B	8.0mm	B	Busbar	P	Panel Mount W/ Flange	S	IP67 Sealed (W/ Grommet & O-Rings)	O	Orange	1	270°	E	EMI	H	HVIL
										B	Black	2	60°				
	IR	Receptacle (W/ Keyway)	N	Non-Sealed	R	Red	3	120°									
							4	150°									

Notice: Specifications are subject to change without notice. Contact your nearest Amphenol Corporation Sales Office for the latest specifications. All statements, information and data given herein are believed to be accurate and reliable but are presented without guarantee, warranty, or responsibility of any kind, expressed or implied. Statements of suggestions concerning possible use of our products are made without representation or warranty that any such use is free of patent infringement and are not recommendations to infringe any patent. The user should assume that all safety measures are indicated or that other measures may not be required. Specifications are typical and may not apply to all connectors.

For further information on your individual application requirements, contact: Amphenol Corporation

North America:
Amphenol Industrial Operations
180 N. Freeport Drive, Plant 4
Nogales, AZ 85621
Tel: (888) 364-9011
Fax: (520) 285-5134

Europe:
Amphenol Industrial Operations Europe
Via Barbaiana 5
1-20020 Lainate (MI) Italy
Tel: +39 02 93254.204
Fax: +39 02 93254.444

Middle East:
Amphenol Middle East Enterprises FZE
Office C-37 PO Box 21107
Ajman Free Zone, UAE
Tel: +9 716-7422494
Fax: +9 716-7422941

Asia:
Amphenol Technology (Zhuhai) Co., Ltd.
No. 63 Xing Han Road, San Zao Town
Jin Wan District, Zhuhai City, China 519040
Tel: +86 756-3989760
Fax: +86 756-3989768

Email: tech@amphenol-aio.com

Email: info@amphenol-aio.com

Email: jhussain@amphenol-industrial.com

Email: enquiry@amphenol-aio.com