

4

3

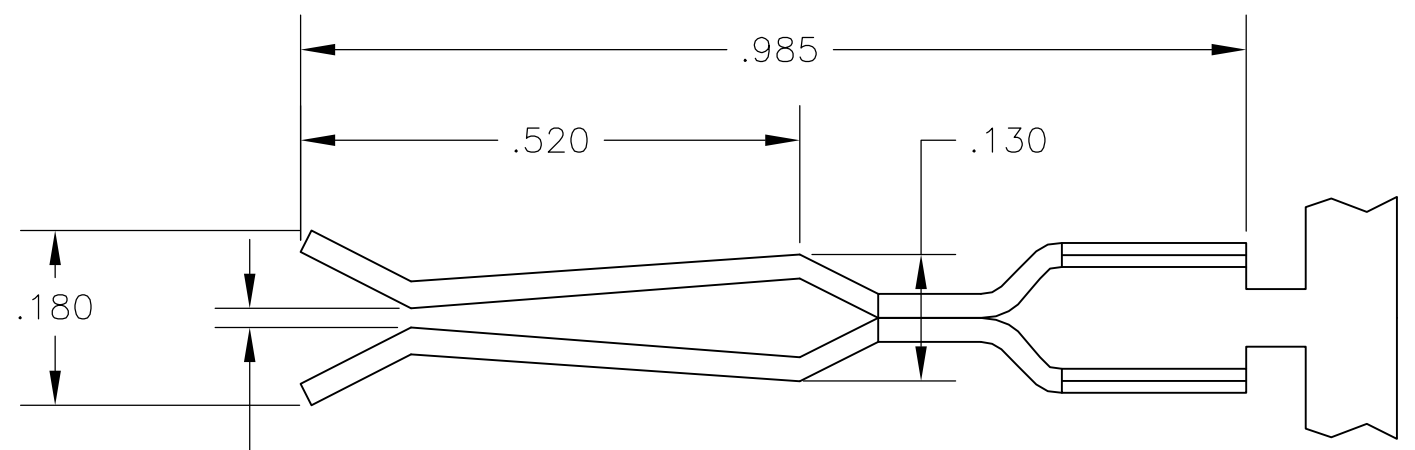
2

1

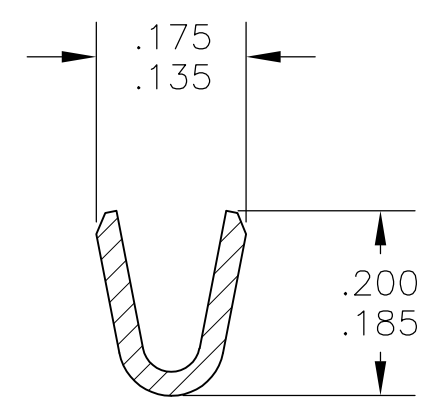
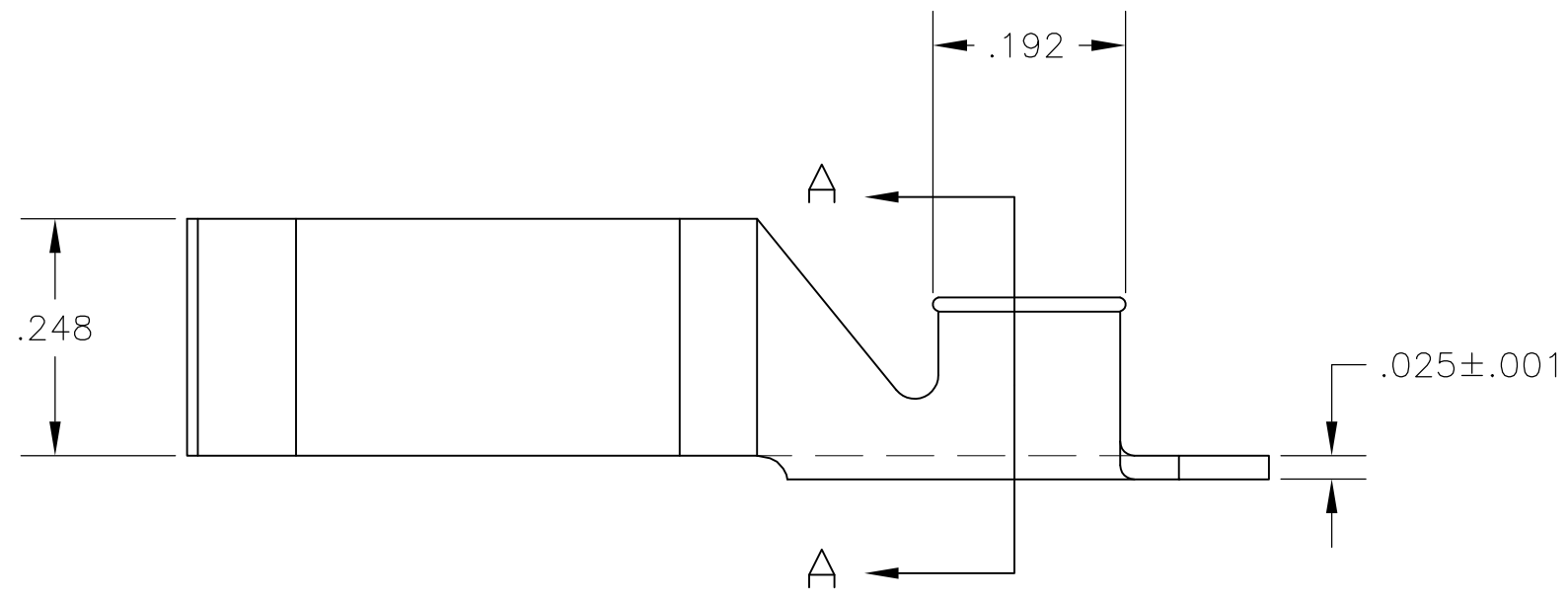
THIS DRAWING IS UNPUBLISHED. RELEASED FOR PUBLICATION
 © COPYRIGHT - By - ALL RIGHTS RESERVED.

LOC	DIST	REVISIONS			
P	LTR	DESCRIPTION	DATE	DWN	APVD
AF	50	L	REVISED PER ECR-12-013445	18OCT12	KH PD

- 1 CONTINUOUS STRIP ON REELS
- 2 WIRE SIZE IS #18-#14 AWG



FITS .060 X .250
TAB



SECTION
A-A

OBSOLETE	TIN	60312-2
	---	60312-1
	FINISH	PART NO

THIS DRAWING IS A CONTROLLED DOCUMENT.		DWN jr_ruth 20JAN09	TE Connectivity		
DIMENSIONS: INCHES		CHK PETE_DESANTIS 20JAN09			
TOLERANCES UNLESS OTHERWISE SPECIFIED:		APVD PETE_DESANTIS 20JAN09	NAME RECEPTACLE, .250 TAB		
0 PLC ± - 1 PLC ± - 2 PLC ± - 3 PLC ± .015 4 PLC ± - ANGLES ± 5°		PRODUCT SPEC -	-		
MATERIAL BRASS		FINISH SEE TABLE	APPLICATION SPEC -	-	
		WEIGHT -	SIZE A3	CAGE CODE 00779	DRAWING NO C-60312
CUSTOMER DRAWING			RESTRICTED TO -	SCALE 5:1	SHEET 1 OF 1
			REV L		