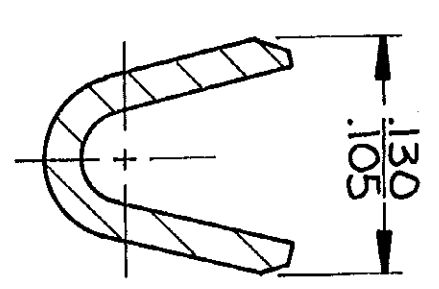
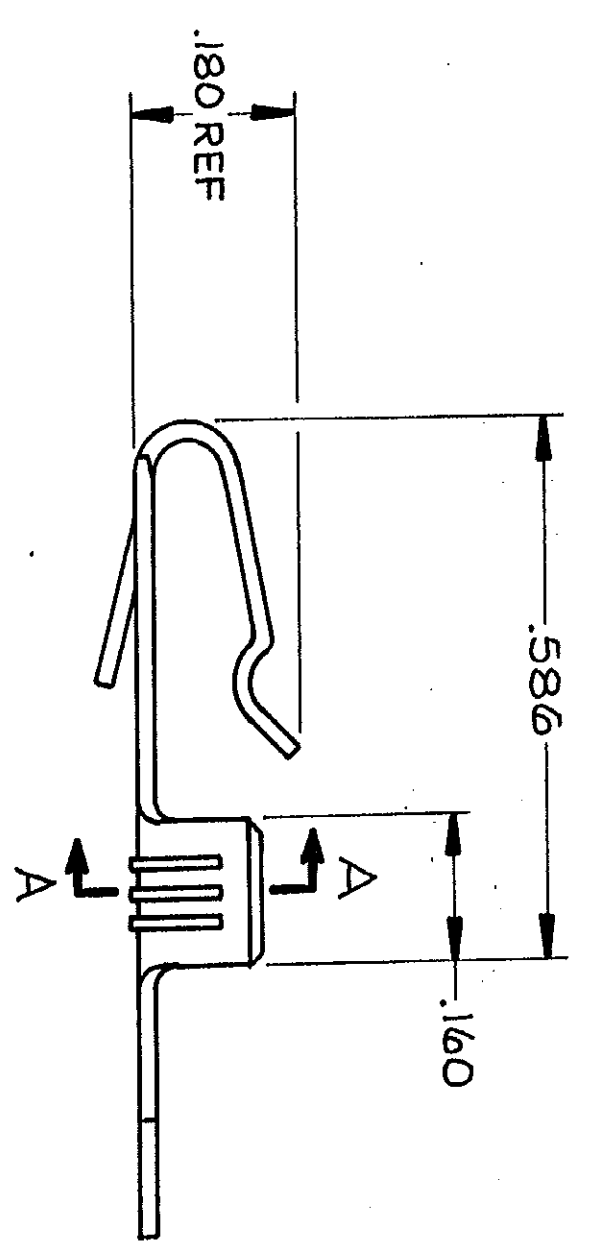
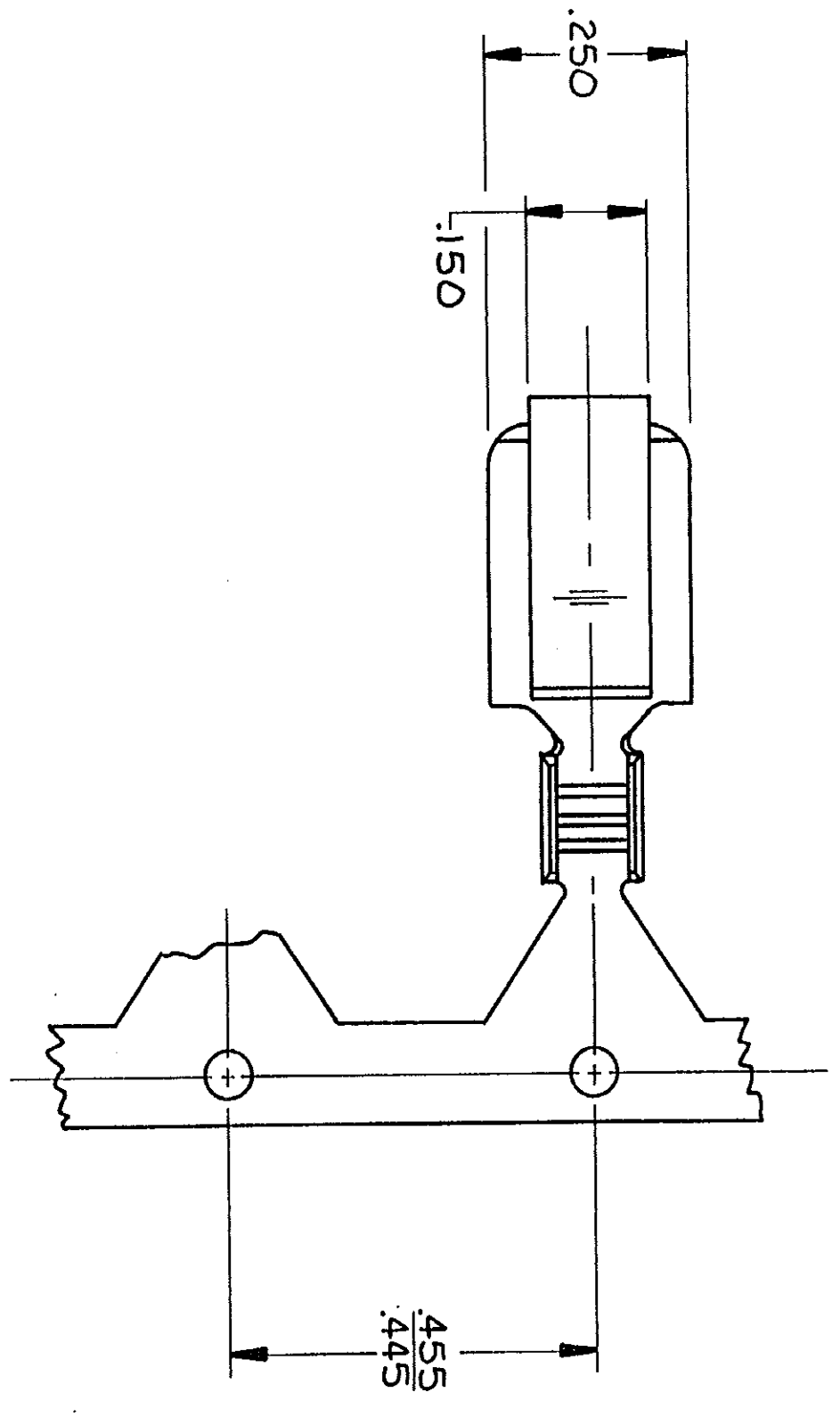


THIS DRAWING IS UNPUBLISHED. RELEASED FOR PUBLICATION  
 © COPYRIGHT 1987 BY AMP INCORPORATED, HARRISBURG, PA. ALL INTERNATIONAL RIGHTS RESERVED. AMP PRODUCTS MAY BE COVERED BY U.S. AND FOREIGN PATENTS AND/OR PATENTS PENDING.

LOC	DIST	REVISIONS	DATE	APPD
AF	50			
P	F	ZONE LTR		
		C	REDWN & REACTIVED-1 PER PR 87-4	2-13-87 KM/RS
		D	REV PER AF-8117	9/24/82 PWT/STP



SECTION A-A  
SCALE 10:1

UNLESS OTHERWISE SPECIFIED  
 DIMENSIONS ARE IN INCHES  
 TOLERANCES ON  
 2 PL DEC ± .015  
 3 PL DEC ± .015  
 ANGLES ±

MATERIAL  
 .020 BRASS

DR	W. W. W. 2-13-87	NAME	TERMINAL, FLUORESCENT LAMP SOCKET	
CHK	R. J. J. 2-16-87	WIRE SIZE	20-16 AWG	MINI
APPD	R. J. J. 2/16/87	APPLICATOR TYPE		640483-1
PRODUCT SPEC		PART NO		
FINISH		SIZE	C	FSCM NO
WEIGHT		SCALE	5:1	640483
				DRAWING NO
				640483
				SHEET
				1 OF 1

AMP | AMP INCORPORATED  
 Harrisburg, Pa. 17105