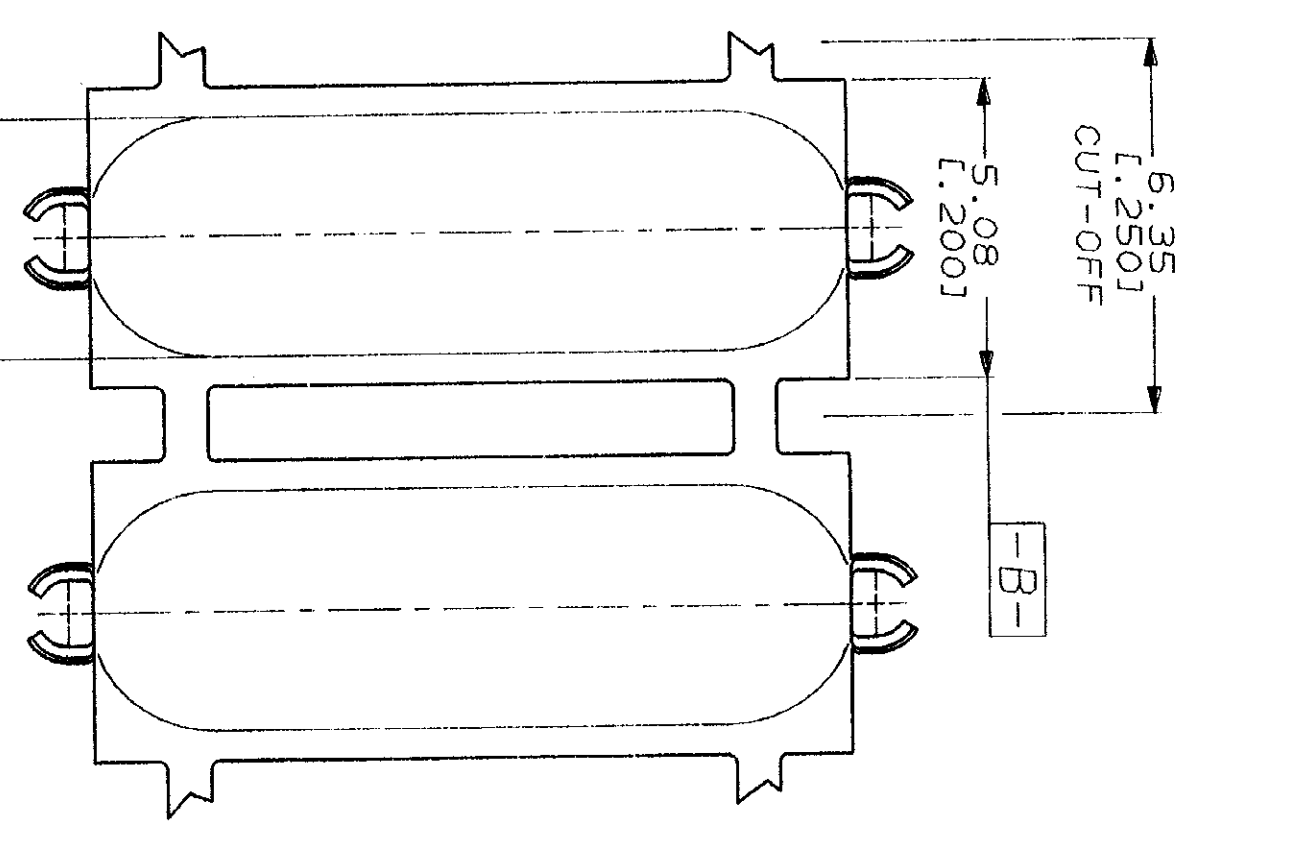
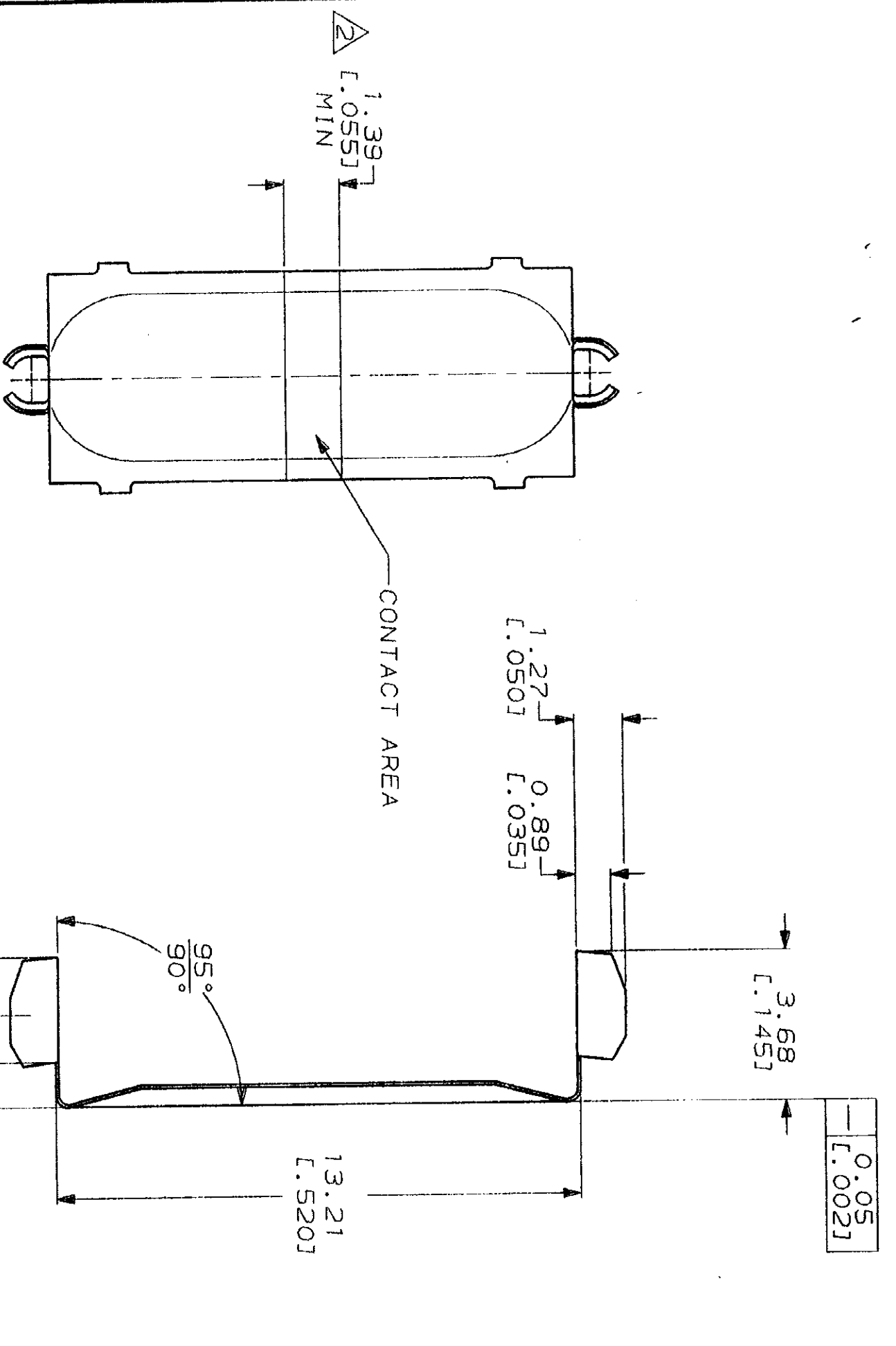


DRAWING MADE IN THIRD ANGLE PROJECTION
 THIS DRAWING IS UNPUBLISHED. RELEASED FOR PUBLICATION
 BY AMP INCORPORATED, MORRISBURG, PA. ALL INTERNATIONAL RIGHTS
 RESERVED. AMP PRODUCTS MAY BE COVERED BY U.S. AND FOREIGN PATENTS AND/OR PATENTS PENDING.

LOC	DISP	REV	DATE	APPROVED
AF	52	F		
REVISIONS				
ZONE	LTR	DESCRIPTION	DATE	APPROVED
F		REDWN PER AF-4822	6/2/87	1/87



- 1 TIN ON OUTSIDE OF MOUNTING LEGS ONLY.
- 2 .000030 MIN GOLD IN CONTACT AREA ONLY.
- 3 SEE DWG 62313 FOR BUTTON CONTACT.
- 4 THIS DRAWING IS RESTRICTED FOR FORD MOTOR CO., DELCO REMY, AND VEEDER-ROOT CO.
- 5 DIMENSIONS IN BRACKETS ARE IN INCHES.

METRIC

UNLESS OTHERWISE SPECIFIED DIMENSIONS ARE IN mm TOLERANCES ON:		DR	4/8/87	NAME	AMP
2 PL DEC ±0.25 [L.010]		CHK	5/18/87	SWITCH, KEYBOARD,	
3 PL DEC ± ANGLES ±		APP	7/18/87	HIGH FORCE	
MATERIAL 0.08 [L.003] THK STAINLESS STEEL		APP	7/18/87		
FINISH SEE TABLE		PRODUCT SPEC	108-2018		
WEIGHT		APPLICATION SPEC	114-2014		
SCALE 8:1		SIZE	C	FSCM NO 00779 DRAWING NO 62614	
SHEET 1 OF 1					

P/N ON STRIP	REMARKS	FINISH	PART NO
62644-2	LOOSE PIECE	A	62614-2
62644-1	LOOSE PIECE	A	62614-1