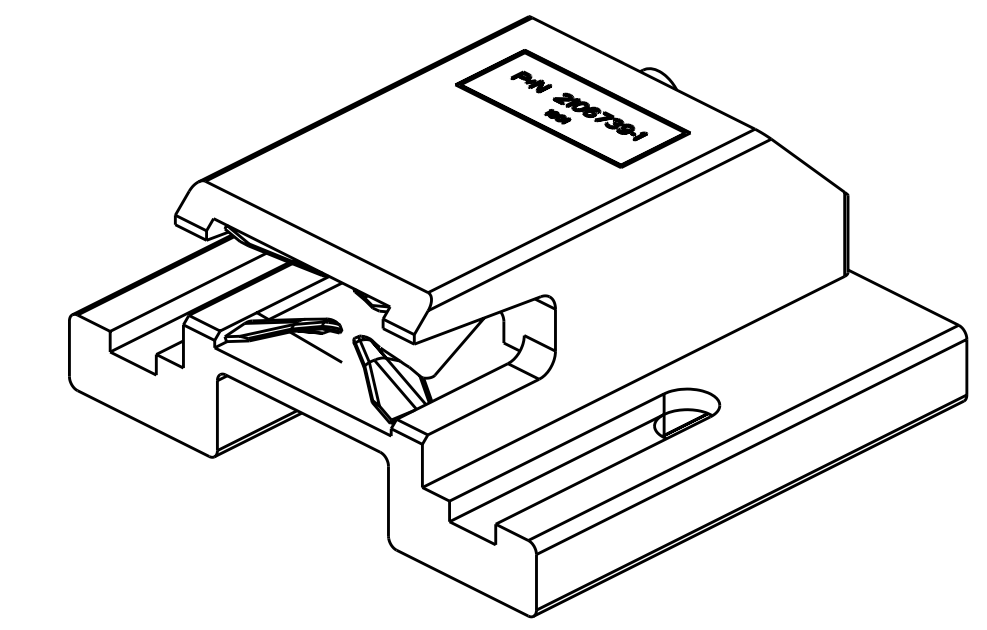
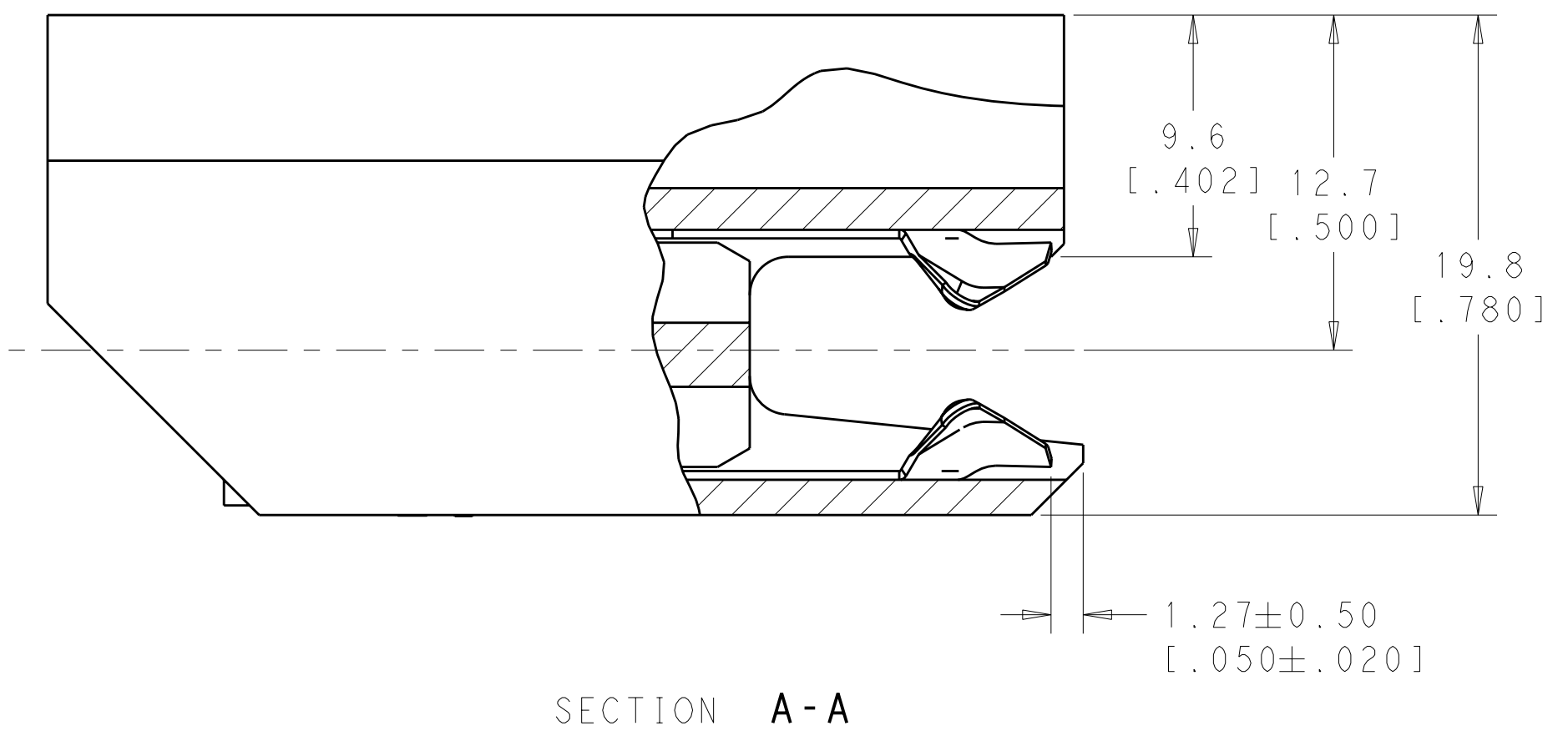
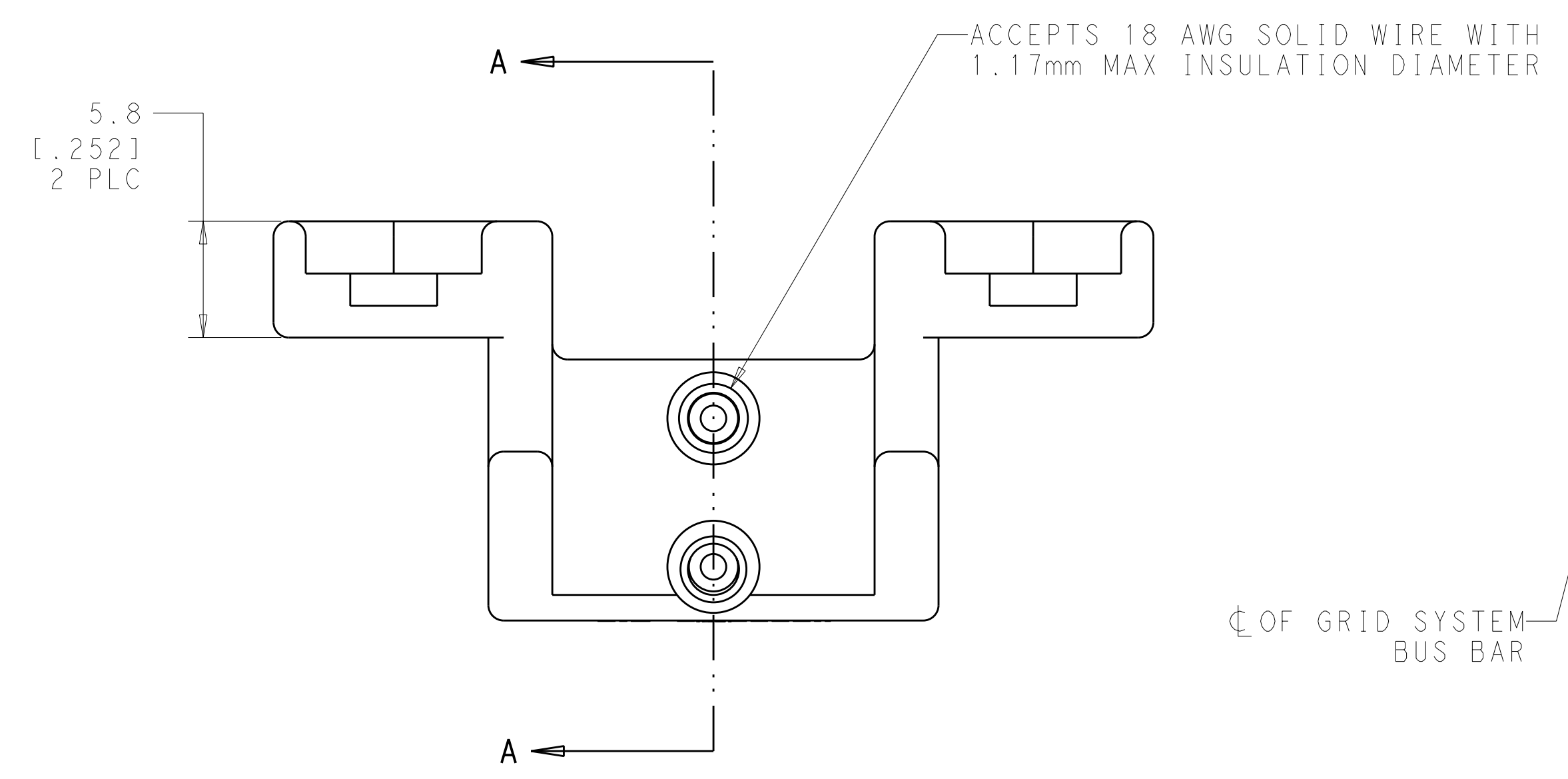
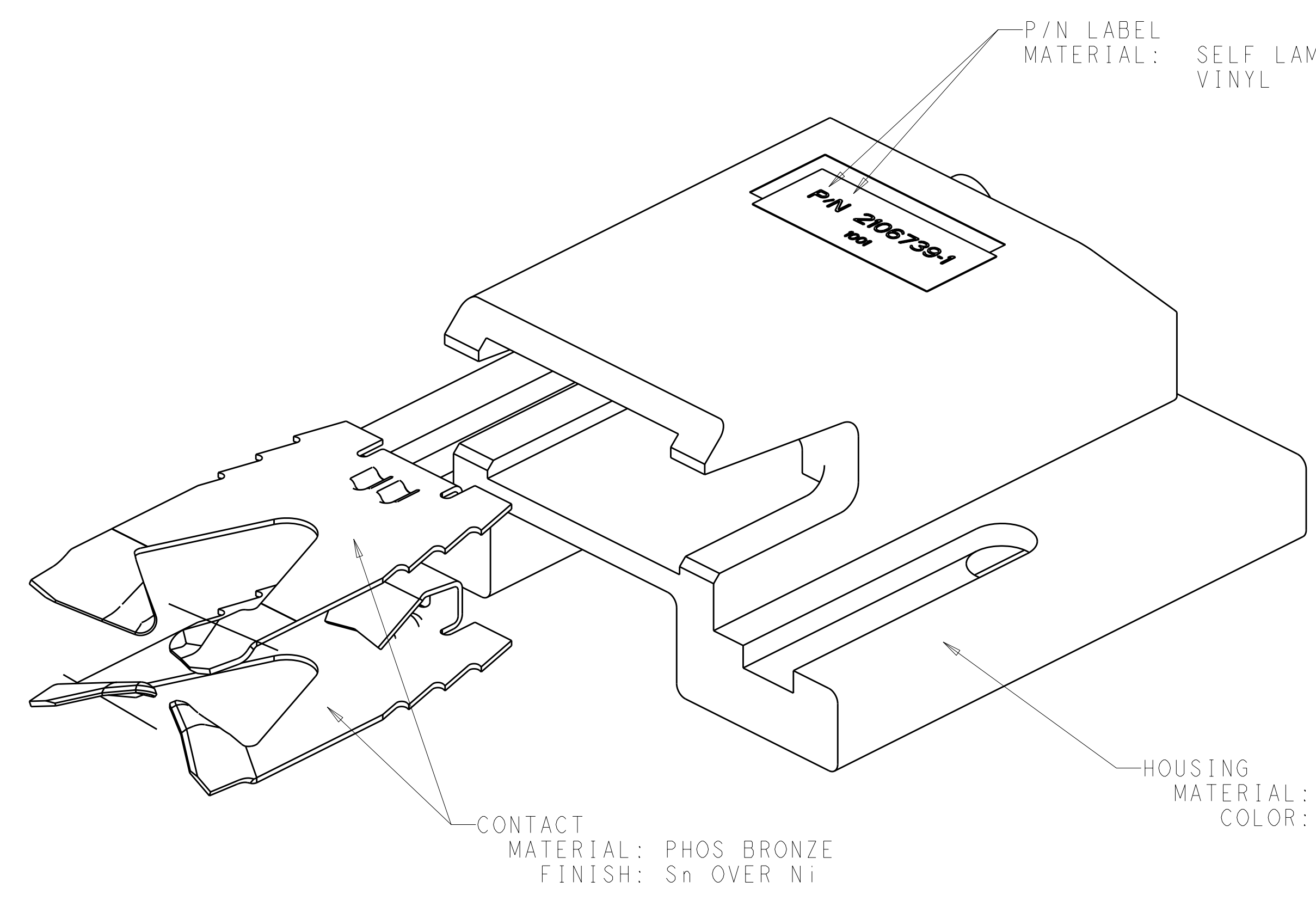
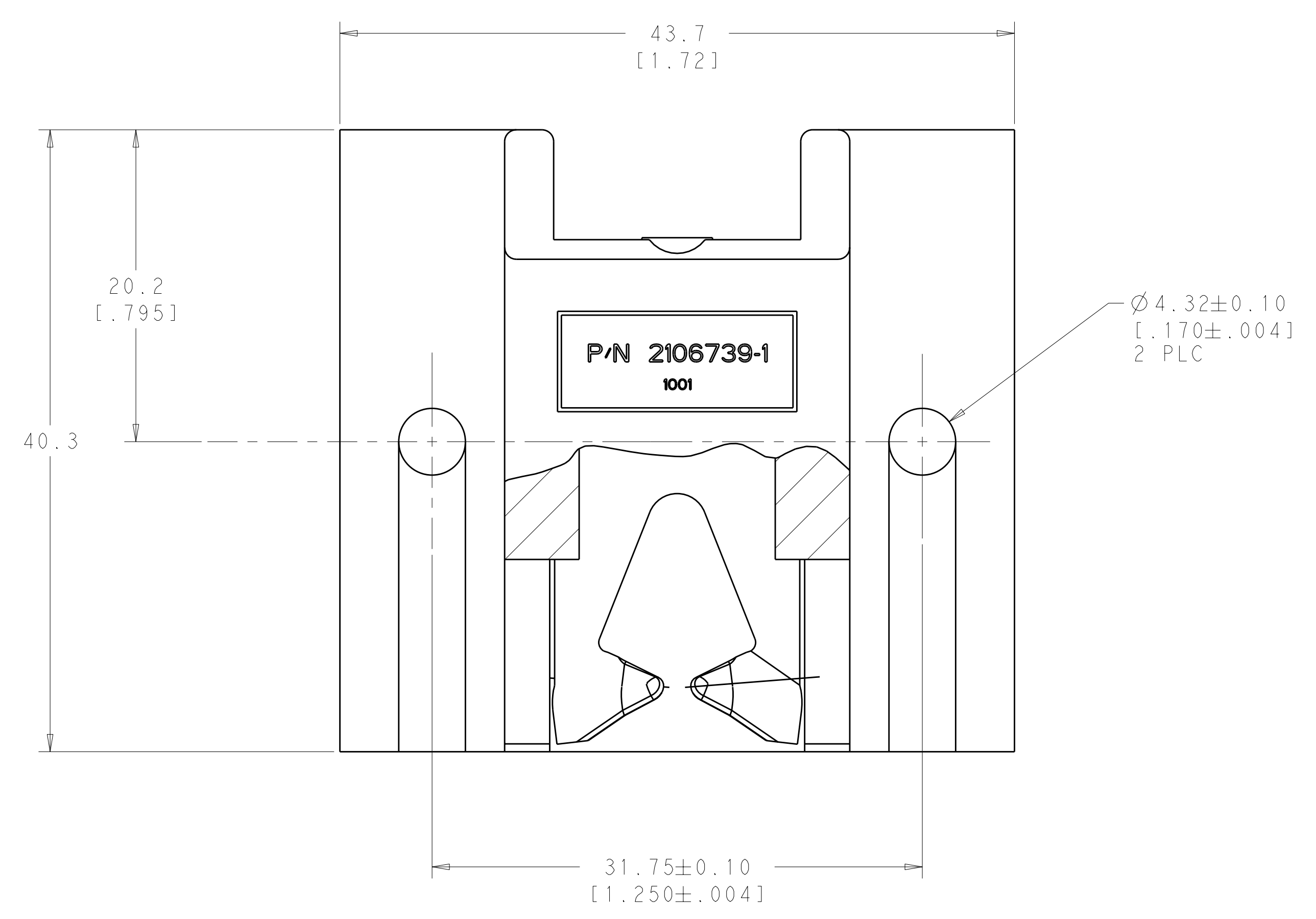


LOC	DIST	REVISIONS					
CM	00	P	LTR	DESCRIPTION	DATE	DWN	APVD
		A		SEE ECO-11-019559	27SEP2011	GIP	MTL
		B		SEE ECO-11-025607	27DEC2011	GIP	MTL

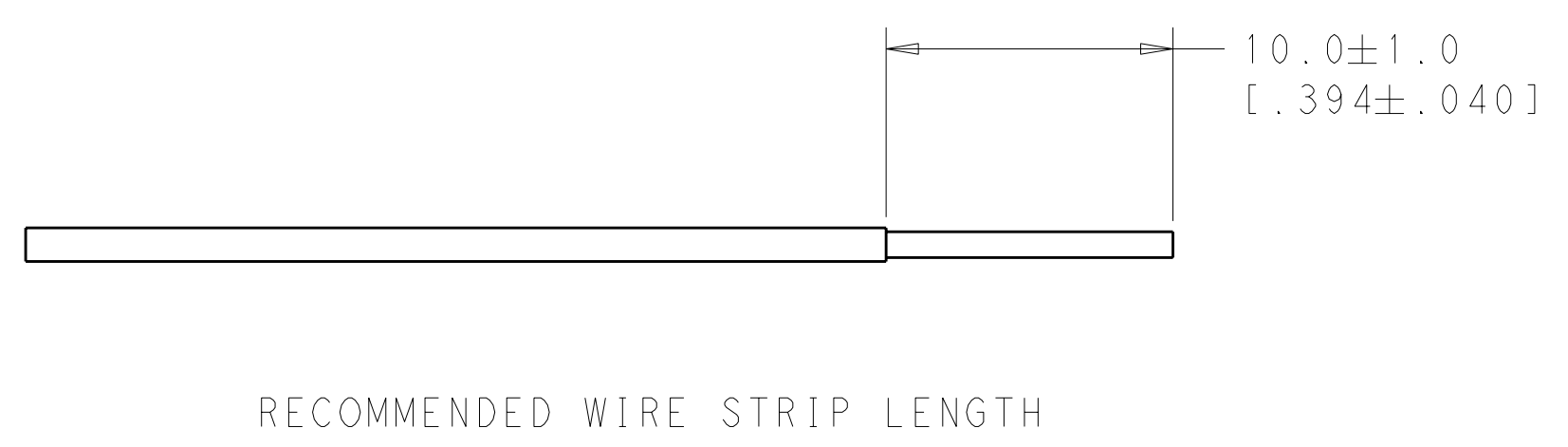
1. DIRECTIVE 2002/95/EC (ROHS) COMPLIANT.



ISOMETRIC VIEW FOR REFERENCE ONLY



EXPLODED VIEW FOR REFERENCE ONLY



RECOMMENDED WIRE STRIP LENGTH

2106739-1
PART NUMBER

THIS DRAWING IS A CONTROLLED DOCUMENT.		DWN: 09SEP12009 CHK: SOMASHEKHAR S. P. S. HEADER: 12OCT2009	TE Connectivity	
DIMENSIONS:	TOLERANCES UNLESS OTHERWISE SPECIFIED:	APVD: M. LUKSIC 27SEP2011	NAME: ASSEMBLY, DC FIXTURE	
mm	0 PLC ± 1 PLC ±0.2 2 PLC ± 3 PLC ± 4 PLC ±	PRODUCT SPEC: 108-2414	SIZE: CAGE CODE: DRAWING NO: RESTRICTED TO	
	ANGLES ±°	APPLICATION SPEC: 114-13275	A100779C=2106739	
MATERIAL:	FINISH:	WEIGHT:	SCALE: 2:1 SHEET 1 OF 1 REV B	
CUSTOMER DRAWING				