

Turned contacts Radsok contact 6mm for 25mm<sup>2</sup>

Part No. N02 060 6114 001

Series Contacts

Subseries Contact Turned contacts



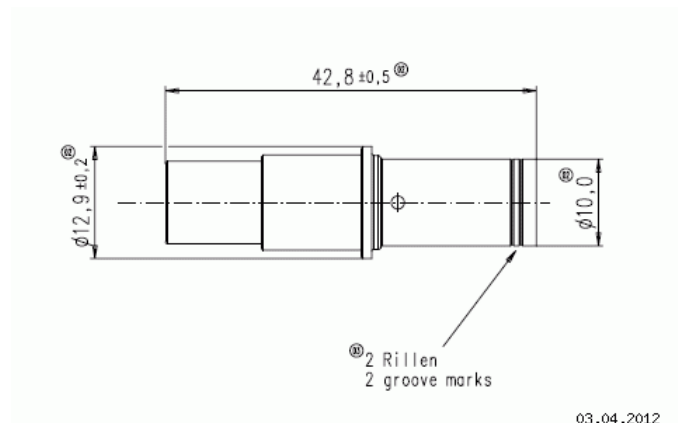
COMMON CHARACTERISTICS		
Wire gauge from		25
Wire gauge (AWG) from		4
Packaging / supplied as		Single contact
No. of pieces		1
Sex of Contact		Socket
Type of contact		Turned crimp contact
ELECTRICAL CHARACTERISTICS		
Contact resistance	DIN EN 60512-2-1, Test 2a / IEC 60512-2-1, Test 2a	≤ 1 m

Turned contacts Radsok contact 6mm for 25mm<sup>2</sup>

Part No. N02 060 6114 001

Series Contacts

Subseries Contact Turned contacts



03.04.2012

Drawing Dimensions in mm (Inch)