

Click [here](#) to ask about the production status of specific part numbers.

# MAX77511/MAX77711 10V Input, Quad-Phase Configurable, 3A/Phase, High-Efficiency Buck Converter

## General Description

The MAX77511/MAX77711 are four-phase, 3A/phase, configurable single to quad output, step-down buck regulators for 1s/2s Li+ battery inputs. Output voltage is programmable through an I<sup>2</sup>C interface between 0.25V and 5.2V. The buck has four combinable 3A switching phases ( $\Phi$ ) for up to four regulated outputs. Phases are configurable to higher-current multiphase outputs: 4 $\Phi$ , (3+1) $\Phi$ , (2+2) $\Phi$ , (2+1+1) $\Phi$ , or (1+1+1+1) $\Phi$ .

Six GPIOs can be purposed for I/O expansion or buck status and control. Pseudo-random spread-spectrum modulation suppresses EMI. Soft-start, soft-stop, and DVS slew times are programmable with I<sup>2</sup>C. MAX77711 offers a 300mA linear regulator.

MAX77511/MAX77711 are available in a 64-bump, 3.54mm x 3.54mm wafer-level package (WLP).

## Applications

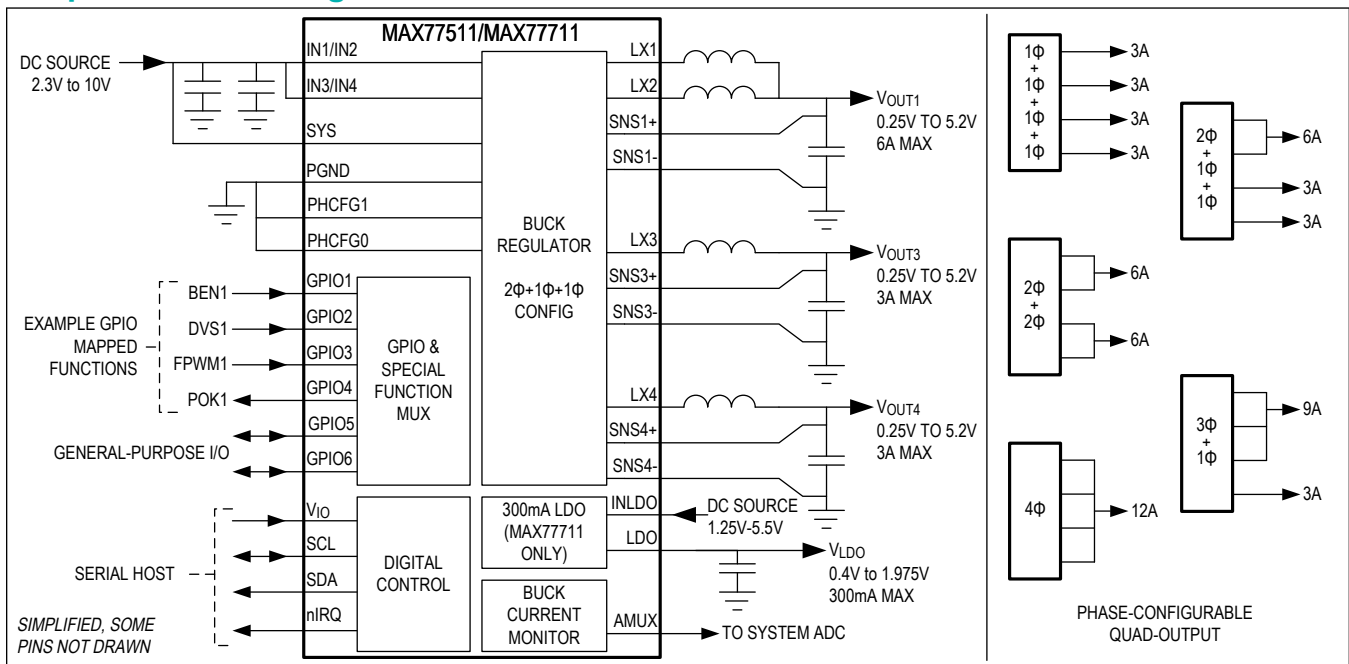
- DSLR, Mirrorless, HD Video, and Action Cameras
- 2-Cell Li+/Li-ion Equipment
- Notebook Computers and Robots
- Embedded Microprocessors, FPGAs, or ASICs

## Benefits and Features

- 3A/Phase Configurable Buck Regulator
  - 3A, 6A, 9A, or 12A Output Current Capability
- 2.3V to 10V Input Voltage Range
- 0.25V to 5.2V Output Voltage Range
  - 0.25V to 1.3V (5mV steps) in Low-Range
  - 1V to 5.2V (20mV steps) in High-Range
- Pin Programmable Output/Phase ( $\Phi$ ) Configuration
  - 4 $\Phi$ , (3+1) $\Phi$ , (2+2) $\Phi$ , (2+1+1) $\Phi$ , (1+1+1+1) $\Phi$
- High-Efficiency and Low-Heat with 2520 Inductor
  - 94% Peak (3.3V<sub>OUT</sub>, 7.4V<sub>IN</sub>)
  - 85% Peak (1.1V<sub>OUT</sub>, 7.4V<sub>IN</sub>)
- 1MHz Nominal Switching Frequency per Phase
  - Pseudo-Random Spread-Spectrum Options
- Six Multi-Function GPIOs for Hardware Buck Control
  - Enable, DVS, FPWM, and Power-OK
- 300mA pMOS LDO (MAX77711 Only)
- Built-In Flexible Sequencing with Soft-Start/Stop
- Protection Features
  - Hard and Soft-Short Protection, UVLO, and Thermal Protection

[Ordering Information](#) appears at end of data sheet.

## Simplified Block Diagram



---

**TABLE OF CONTENTS**


---

|                                                                               |    |
|-------------------------------------------------------------------------------|----|
| General Description . . . . .                                                 | 1  |
| Applications . . . . .                                                        | 1  |
| Benefits and Features . . . . .                                               | 1  |
| Simplified Block Diagram . . . . .                                            | 1  |
| Absolute Maximum Ratings . . . . .                                            | 7  |
| Package Information . . . . .                                                 | 7  |
| 64 WLP . . . . .                                                              | 7  |
| Electrical Characteristics—Top-Level . . . . .                                | 8  |
| Electrical Characteristics—Quad-Channel Configurable Buck Regulator . . . . . | 11 |
| Electrical Characteristics—Linear Regulator (MAX77711 Only) . . . . .         | 14 |
| Electrical Characteristics—I <sup>2</sup> C Serial Interface . . . . .        | 15 |
| Typical Operating Characteristics . . . . .                                   | 17 |
| Bump Configuration . . . . .                                                  | 25 |
| 64 WLP . . . . .                                                              | 25 |
| Bump Descriptions . . . . .                                                   | 25 |
| Detailed Description—Top-Level . . . . .                                      | 28 |
| Flexible Power Sequencer (FPS) . . . . .                                      | 28 |
| General Purpose Input/Output (GPIO) . . . . .                                 | 31 |
| Output Mode . . . . .                                                         | 31 |
| Special Output Mode . . . . .                                                 | 32 |
| Input Mode . . . . .                                                          | 32 |
| GPIO Buck Control . . . . .                                                   | 32 |
| GPIO LDO Control . . . . .                                                    | 32 |
| GPIO Factory Options . . . . .                                                | 32 |
| Interrupts (nIRQ) . . . . .                                                   | 33 |
| Dedicated Internal Supplies . . . . .                                         | 34 |
| Thermal Alarms and OTLO . . . . .                                             | 34 |
| Register Reset Condition . . . . .                                            | 35 |
| Factory Options . . . . .                                                     | 36 |
| Detailed Description—Quad-Channel Configurable Buck Regulator . . . . .       | 39 |
| Buck Regulator Control Scheme . . . . .                                       | 39 |
| Adaptive Off-Time Control . . . . .                                           | 41 |
| Phase Configuration . . . . .                                                 | 41 |
| Output Voltage Selection . . . . .                                            | 43 |
| Buck Enable Control . . . . .                                                 | 43 |
| Buck Software Enable . . . . .                                                | 43 |
| Buck Hardware Enable . . . . .                                                | 43 |
| Buck Flexible Power Sequencer Enable . . . . .                                | 43 |
| Buck Power-OK Monitors . . . . .                                              | 44 |

**TABLE OF CONTENTS (CONTINUED)**

|                                                                             |    |
|-----------------------------------------------------------------------------|----|
| Digital Voltage Scaling (DVS) . . . . .                                     | 44 |
| Buck Regulator Mode . . . . .                                               | 44 |
| Soft-Start and Soft-Stop . . . . .                                          | 45 |
| Active Discharge Resistor . . . . .                                         | 45 |
| Spread-Spectrum Modulation . . . . .                                        | 45 |
| Pseudo-Random Pattern . . . . .                                             | 46 |
| Triangular Pattern . . . . .                                                | 47 |
| Output Current Monitoring . . . . .                                         | 48 |
| Method for Measuring Buck Converter Output Current . . . . .                | 48 |
| Short-Circuit and Thermal Protection . . . . .                              | 48 |
| Reset Input/Output (nRSTIO) . . . . .                                       | 50 |
| Detailed Description—Linear Regulator (MAX77711 Only) . . . . .             | 51 |
| LDO Enable Control . . . . .                                                | 51 |
| LDO Software Enable . . . . .                                               | 51 |
| LDO Hardware Enable . . . . .                                               | 51 |
| LDO Flexible Power Sequencer Enable . . . . .                               | 51 |
| Detailed Description—I <sup>2</sup> C Serial Interface . . . . .            | 52 |
| Test Mode . . . . .                                                         | 52 |
| Register Map . . . . .                                                      | 53 |
| MAX77511/MAX77711 . . . . .                                                 | 53 |
| Register Details . . . . .                                                  | 54 |
| Applications Information—Quad-Channel Configurable Buck Regulator . . . . . | 81 |
| Buck Enable Options . . . . .                                               | 81 |
| Sequencer Control (Always-On) . . . . .                                     | 81 |
| Sequencer Control (On Demand) . . . . .                                     | 81 |
| Hardware (GPIO) Control . . . . .                                           | 82 |
| Software (I <sup>2</sup> C) Control . . . . .                               | 82 |
| Input Capacitor Selection . . . . .                                         | 82 |
| Output Capacitor Selection . . . . .                                        | 82 |
| Inductor Selection . . . . .                                                | 83 |
| Unused Bucks . . . . .                                                      | 83 |
| PCB Layout Guidelines . . . . .                                             | 84 |
| Advanced User Information . . . . .                                         | 87 |
| Transient Performance Option . . . . .                                      | 87 |
| Assisted Active Discharge after Soft-Stop . . . . .                         | 89 |
| Soft-Start Peak Inductor Current Limit Override . . . . .                   | 90 |
| Applications Information—Linear Regulator (MAX77711 Only) . . . . .         | 92 |
| LDO Input/Output Capacitor Selection . . . . .                              | 92 |
| LDO Startup Rate and Inrush Current . . . . .                               | 92 |

---

**TABLE OF CONTENTS (CONTINUED)**

---

|                                                                        |    |
|------------------------------------------------------------------------|----|
| Typical Application Circuits .....                                     | 93 |
| 1 $\Phi$ +1 $\Phi$ +1 $\Phi$ +1 $\Phi$ Configuration (4 Outputs) ..... | 93 |
| 2 $\Phi$ +1 $\Phi$ +1 $\Phi$ Configuration (3 Outputs) .....           | 94 |
| 2 $\Phi$ +2 $\Phi$ Configuration (2 Outputs) .....                     | 95 |
| 3 $\Phi$ +1 $\Phi$ Configuration (2 Outputs) .....                     | 96 |
| 4 $\Phi$ Configuration (1 Output) .....                                | 97 |
| Ordering Information .....                                             | 98 |
| Revision History .....                                                 | 99 |

---

**LIST OF FIGURES**

---

|                                                                                                |    |
|------------------------------------------------------------------------------------------------|----|
| Figure 1. Flexible Power Sequencer State Diagram . . . . .                                     | 29 |
| Figure 2. Power-Up/Down Sequence State Actions . . . . .                                       | 30 |
| Figure 3. Immediate Shutdown Sequence State Actions . . . . .                                  | 31 |
| Figure 4. Thermal Alarms and OTLO State Diagram . . . . .                                      | 35 |
| Figure 5. Buck Control Scheme Diagram . . . . .                                                | 40 |
| Figure 6. Pseudo-Random Modulator Engine . . . . .                                             | 46 |
| Figure 7. 4-Bit Pseudo-Random Modulation Signal Example . . . . .                              | 46 |
| Figure 8. Triangular Modulator Engine . . . . .                                                | 47 |
| Figure 9. 4-Bit Triangular Modulation Signal Example . . . . .                                 | 47 |
| Figure 10. Fault Protection State Machine . . . . .                                            | 49 |
| Figure 11. Common nRSTIO for Fault Signaling . . . . .                                         | 50 |
| Figure 12. LDO Simplified Block Diagram . . . . .                                              | 51 |
| Figure 13. Buck Enable Options . . . . .                                                       | 81 |
| Figure 14. PCB Layout Example . . . . .                                                        | 85 |
| Figure 15. Recommended Ground Connection . . . . .                                             | 86 |
| Figure 16. Recommended SYS Connection . . . . .                                                | 86 |
| Figure 17. Effect of Transient Performance Option on Load Transient Response . . . . .         | 87 |
| Figure 18. Effect of Transient Performance Option on Mode Change . . . . .                     | 88 |
| Figure 19. Effect of Transient Performance Option on Mode Chatter . . . . .                    | 89 |
| Figure 20. Normal vs. Assisted Active Discharge . . . . .                                      | 90 |
| Figure 21. Override Not Affecting Soft-Start Ramp Comparison . . . . .                         | 91 |
| Figure 22. Override Slowing Soft-Start Rate Causing Higher Inrush Current Comparison . . . . . | 91 |

---

**LIST OF TABLES**

---

|                                                                       |    |
|-----------------------------------------------------------------------|----|
| Table 1. GPIO Special Functions . . . . .                             | 32 |
| Table 2. GPIO Default Factory Options (Simple Decode) . . . . .       | 33 |
| Table 3. GPIO Default Factory Options (Full Decode) . . . . .         | 33 |
| Table 4. MAX77711 Factory-Programmed Defaults (OTP Options) . . . . . | 36 |
| Table 5. MAX77511 Factory-Programmed Defaults (OTP Options) . . . . . | 37 |
| Table 6. Phase Configuration Programming . . . . .                    | 41 |
| Table 7. Buck Feedback Assignment vs. Phase Configuration. . . . .    | 41 |
| Table 8. Buck Output Voltage Range . . . . .                          | 43 |
| Table 9. FSREN Effect on Buck Behavior. . . . .                       | 44 |
| Table 10. I <sup>2</sup> C Slave Address Options . . . . .            | 52 |

### Absolute Maximum Ratings

|                                                     |                                 |                                                                         |                                               |
|-----------------------------------------------------|---------------------------------|-------------------------------------------------------------------------|-----------------------------------------------|
| IN1, IN2, IN3, IN4 to PGNDx.....                    | -0.3V to +12V                   | AMUX Continuous Source/Sink Current.....                                | 100 $\mu$ A <sub>RMS</sub>                    |
| BSTx to LXx.....                                    | -0.3V to +2.2V                  | ENSEQ to AGND.....                                                      | -0.3V to V <sub>SYS</sub> + 0.3V              |
| SYS to AGND.....                                    | -0.3V to +12V                   | INLDO to AGND.....                                                      | -0.3V to +6V                                  |
| PGNDx, DGND, SNSx- to AGND.....                     | -0.3V to +0.3V                  | LDO to AGND                                                             |                                               |
| IN1, IN2, IN3, IN4 Continuous Current.....          | 3.2A <sub>RMS</sub>             | LDO Disabled.....                                                       | -0.3V to V <sub>INLDO</sub> + 0.3V            |
| LX1, LX2, LX3, LX4 Continuous Current (Note 1)..... | 3.2A <sub>RMS</sub>             | LDO Enabled.....                                                        | -0.3 to MIN(V <sub>INLDO</sub> + 0.3V, +2.2V) |
| V <sub>L13</sub> , V <sub>L24</sub> to AGND.....    | -0.3V to +2.2V                  | Continuous Power Dissipation (Multilayer Board, T <sub>A</sub> = +70°C) |                                               |
| V <sub>DD</sub> , AMUX to AGND.....                 | -0.3V to +2.2V                  | 64 WLP (derate 26.18mW/°C above +70°C).....                             | 2094mW                                        |
| PHCFG1, PHCFG0 to AGND.....                         | -0.3V to V <sub>DD</sub> + 0.3V | Operating Junction Temperature Range.....                               | -40°C to +125°C                               |
| GPIOx to AGND.....                                  | -0.3V to V <sub>IO</sub> + 0.3V | Junction Temperature.....                                               | +150°C                                        |
| SDA, SCL to AGND.....                               | -0.3V to +6V                    | Storage Temperature Range.....                                          | -65°C to +150°C                               |
| nIRQ, nRSTIO to AGND.....                           | -0.3V to +6V                    | Soldering Temperature (reflow).....                                     | +260°C                                        |
| V <sub>IO</sub> , SNSx+ to AGND.....                | -0.3V to +6V                    |                                                                         |                                               |

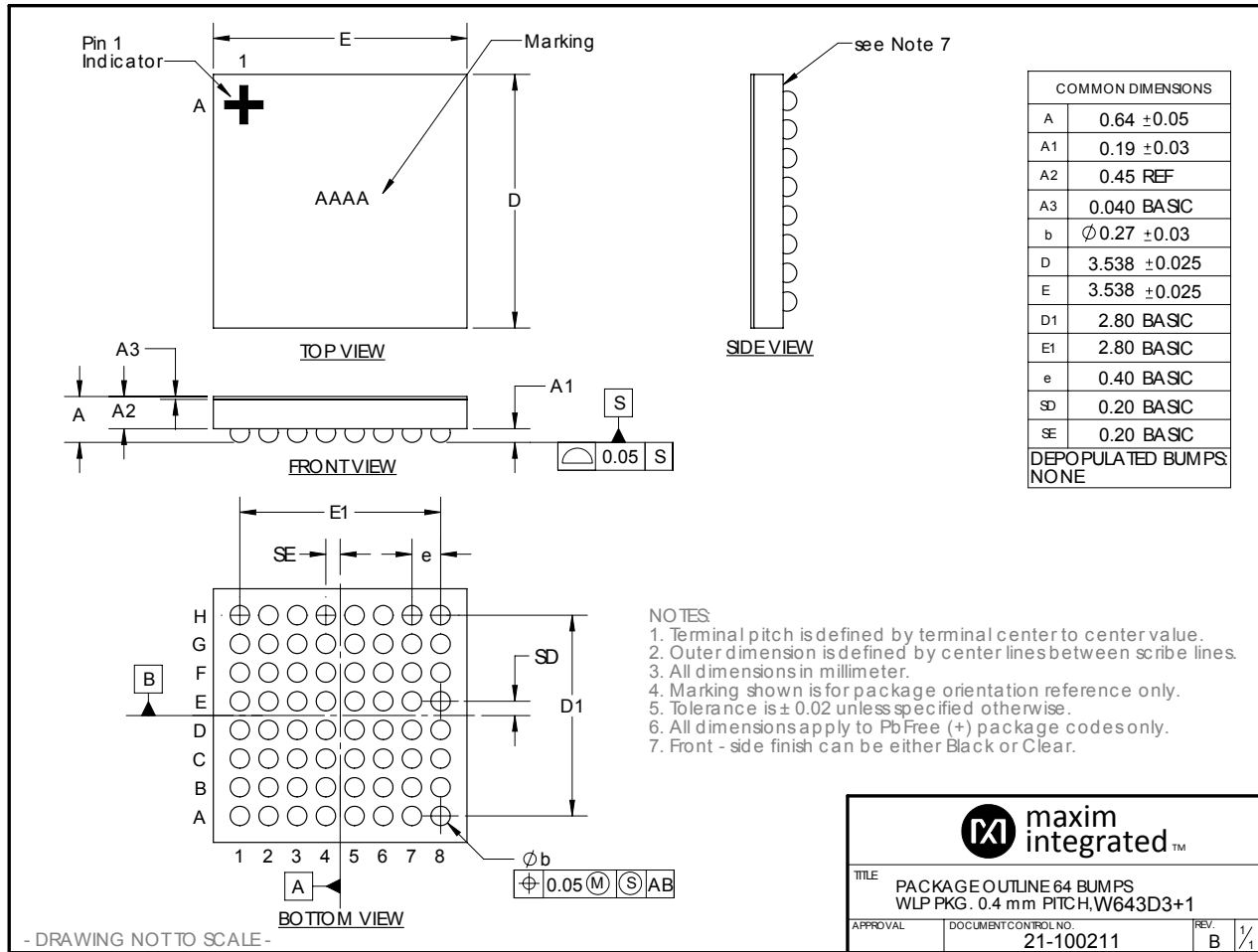
**Note 1:** LXx has internal clamp diodes to its corresponding PGNDx and INx. Applications that forward bias these diodes should take care not to exceed the ICs package power dissipation limits.

*Stresses beyond those listed under "Absolute Maximum Ratings" may cause permanent damage to the device. These are stress ratings only, and functional operation of the device at these or any other conditions beyond those indicated in the operational sections of the specifications is not implied. Exposure to absolute maximum rating conditions for extended periods may affect device reliability.*

### Package Information

#### 64 WLP

|                                              |                                                |
|----------------------------------------------|------------------------------------------------|
| Package Code                                 | W643D3+1                                       |
| Outline Number                               | <a href="#">21-100211</a>                      |
| Land Pattern Number                          | Refer to <a href="#">Application Note 1891</a> |
| <b>Thermal Resistance, Four-Layer Board:</b> |                                                |
| Junction to Ambient ( $\theta_{JA}$ )        | 38.20°C/W                                      |



For the latest package outline information and land patterns (footprints), go to [www.maximintegrated.com/packages](http://www.maximintegrated.com/packages). Note that a "+", "#", or "-" in the package code indicates RoHS status only. Package drawings may show a different suffix character, but the drawing pertains to the package regardless of RoHS status.

Package thermal resistances were obtained using the method described in JEDEC specification JESD51-7, using a four-layer board. For detailed information on package thermal considerations, refer to [www.maximintegrated.com/thermal-tutorial](http://www.maximintegrated.com/thermal-tutorial).

### Electrical Characteristics—Top-Level

( $V_{SYS} = V_{INX} = 7.4V$ , single-phase configuration (1+1+1+1) $\Phi$ ,  $V_{IO} = 1.8V$ ,  $V_{LDO} = 1.8V$ , listed conditions apply to all bucks,  $T_A = T_J = -40^{\circ}C$  to  $+125^{\circ}C$ , typical values are at  $T_A = T_J = +25^{\circ}C$ , unless otherwise noted.) (Note 2)

| PARAMETER                               | SYMBOL        | CONDITIONS        | MIN | TYP | MAX | UNITS |
|-----------------------------------------|---------------|-------------------|-----|-----|-----|-------|
| <b>INPUT VOLTAGE AND SUPPLY CURRENT</b> |               |                   |     |     |     |       |
| SYS Voltage Range                       | $V_{SYS}$     |                   | 2.3 |     | 10  | V     |
| SYS Undervoltage Lockout (UVLO)         | $V_{UVLO\_R}$ | $V_{SYS}$ rising  | 2.1 | 2.2 | 2.3 | V     |
|                                         | $V_{UVLO\_F}$ | $V_{SYS}$ falling | 1.9 | 2.0 | 2.1 |       |
| Power-On Reset (POR) Threshold          | $V_{POR}$     | $V_{SYS}$ falling |     | 1.7 |     | V     |



**Electrical Characteristics—Top-Level (continued)**

( $V_{SYS} = V_{INX} = 7.4V$ , single-phase configuration (1+1+1+1) $\Phi$ ,  $V_{IO} = 1.8V$ ,  $V_{LDO} = 1.8V$ , listed conditions apply to all bucks,  $T_A = T_J = -40^\circ C$  to  $+125^\circ C$ , typical values are at  $T_A = T_J = +25^\circ C$ , unless otherwise noted.) (Note 2)

| PARAMETER                             | SYMBOL          | CONDITIONS                                                                                                                      |                                                   | MIN | TYP         | MAX  | UNITS   |
|---------------------------------------|-----------------|---------------------------------------------------------------------------------------------------------------------------------|---------------------------------------------------|-----|-------------|------|---------|
| Shutdown Supply Current               | $I_{SHDN}$      | $V_{IO} = V_{ENSEQ} = 0V$ , dedicated internal supplies off, regulators disabled, $T_A = -40^\circ C$ to $+85^\circ C$ (Note 3) |                                                   |     | 1.3         | 10   | $\mu A$ |
| Standby Supply Current                | $I_{STNDBY}$    | $V_{IO} = 1.8V$ , $V_{ENSEQ} = 0V$ , $V_{DD}$ on, $FTPEN = 0$ , $T_A = -40^\circ C$ to $+85^\circ C$ (Note 3)                   | $V_{L13}/V_{L24}$ off (FVLEN = 0), bucks disabled |     | 25          | 60   | $\mu A$ |
|                                       |                 |                                                                                                                                 | $V_{L13}/V_{L24}$ on (FVLEN = 1), bucks disabled  |     | 130         |      |         |
| Quiescent Supply Current              | $I_Q$           | All bucks enabled in SKIP mode, LDO disabled, no load (Note 3)                                                                  |                                                   |     | 600         | 800  | $\mu A$ |
|                                       |                 | All bucks enabled in Turbo SKIP mode, LDO disabled, no load (Note 3)                                                            |                                                   |     | 900         | 1100 |         |
| <b>SEQUENCER ENABLE INPUT (ENSEQ)</b> |                 |                                                                                                                                 |                                                   |     |             |      |         |
| ENSEQ Logic High Threshold            | $V_{ENSEQ-HI}$  |                                                                                                                                 |                                                   | 1.6 |             |      | V       |
| ENSEQ Logic Low Threshold             | $V_{ENSEQ-LO}$  |                                                                                                                                 |                                                   |     |             | 0.4  | V       |
| ENSEQ Leakage Current                 | $I_{ENSEQ-LKG}$ | $V_{SYS} = 10V$ , $V_{ENSEQ} = 0V$ or $10V$                                                                                     | $T_A = +25^\circ C$                               |     | $\pm 0.1$   |      | $\mu A$ |
|                                       |                 |                                                                                                                                 | $T_A = +85^\circ C$                               |     | $\pm 0.5$   |      |         |
| Sequence Start Delay                  | $t_{SEQDLY}$    | $V_{IO} = 0V$ , time measured between rising edge of ENSEQ and first LX pulse of a buck in slot 1                               |                                                   |     | 200         |      | $\mu s$ |
| <b>FLEXIBLE POWER SEQUENCER (FPS)</b> |                 |                                                                                                                                 |                                                   |     |             |      |         |
| Sequencer Slot Pitch Accuracy         |                 | Root clock accuracy                                                                                                             |                                                   | -5  |             | +5   | %       |
| Sequencer Slot Pitch                  | $t_{SLOT}$      | FPS_SLOT_T[1:0] = 0b00                                                                                                          |                                                   |     | 0.625       |      | ms      |
|                                       |                 | FPS_SLOT_T[1:0] = 0b01                                                                                                          |                                                   |     | 1.25        |      |         |
|                                       |                 | FPS_SLOT_T[1:0] = 0b10                                                                                                          |                                                   |     | 2.5         |      |         |
|                                       |                 | FPS_SLOT_T[1:0] = 0b11                                                                                                          |                                                   |     | 5           |      |         |
| <b>INTERRUPT OUTPUT (nIRQ)</b>        |                 |                                                                                                                                 |                                                   |     |             |      |         |
| nIRQ Output Low Voltage               | $V_{nIRQ-LO}$   | Sinking 2mA                                                                                                                     |                                                   |     |             | 0.4  | V       |
| nIRQ Leakage Current                  | $I_{nIRQ-LKG}$  | $V_{IO} = 5.5V$ , nIRQ set to be high impedance (i.e., no interrupts), $V_{nIRQ} = 0V$ and $5.5V$                               | $T_A = +25^\circ C$                               | -1  | $\pm 0.001$ | +1   | $\mu A$ |
|                                       |                 |                                                                                                                                 | $T_A = +85^\circ C$                               |     | $\pm 0.01$  |      |         |

**Electrical Characteristics—Top-Level (continued)**

( $V_{SYS} = V_{INx} = 7.4V$ , single-phase configuration (1+1+1+1) $\Phi$ ,  $V_{IO} = 1.8V$ ,  $V_{LDO} = 1.8V$ , listed conditions apply to all bucks,  $T_A = T_J = -40^\circ C$  to  $+125^\circ C$ , typical values are at  $T_A = T_J = +25^\circ C$ , unless otherwise noted.) (Note 2)

| PARAMETER                                    | SYMBOL        | CONDITIONS                                                                     |                     | MIN                  | TYP         | MAX                  | UNITS      |
|----------------------------------------------|---------------|--------------------------------------------------------------------------------|---------------------|----------------------|-------------|----------------------|------------|
| <b>GENERAL PURPOSE INPUTS/OUTPUTS (GPIO)</b> |               |                                                                                |                     |                      |             |                      |            |
| GPIO Supply Voltage                          |               |                                                                                |                     |                      | $V_{IO}$    |                      | V          |
| Input Voltage Low                            | $V_{GPI-LO}$  | $V_{IO} = 1.8V$                                                                |                     |                      |             | $0.22 \times V_{IO}$ | V          |
|                                              |               | $V_{IO} = 3.3V$                                                                |                     |                      |             | $0.3 \times V_{IO}$  |            |
| Input Voltage High                           | $V_{GPI-HI}$  | $V_{IO} = 1.8V$                                                                |                     | $0.78 \times V_{IO}$ |             |                      | V          |
|                                              |               | $V_{IO} = 3.3V$                                                                |                     | $0.7 \times V_{IO}$  |             |                      |            |
| Input Leakage Current                        | $I_{GPI-LKG}$ | General-purpose input, $V_{IO} = 5.5V$ , $V_{GPIO} = 0V$ and $5.5V$ , per GPIO | $T_A = +25^\circ C$ | -1                   | $\pm 0.001$ | +1                   | $\mu A$    |
|                                              |               |                                                                                | $T_A = +85^\circ C$ |                      |             | $\pm 0.01$           |            |
| Output Voltage Low                           | $V_{GPO-LO}$  | Sinking 2mA                                                                    |                     |                      |             | 0.4                  | V          |
| Output Voltage High                          | $V_{GPO-HI}$  | Sourcing 1mA                                                                   |                     | $0.8 \times V_{IO}$  |             |                      | V          |
| Input Debounce Time                          | $t_{DB-GPI}$  | DBNC_SELx[1:0] = 0b01                                                          |                     |                      | 0.11        |                      | ms         |
|                                              |               | DBNC_SELx1:0] = 0b10                                                           |                     |                      | 0.24        |                      |            |
|                                              |               | DBNC_SELx[1:0] = 0b11                                                          |                     |                      | 1           |                      |            |
| Pullup Resistance                            | $R_{GPIO-PU}$ | Internal pullup enabled to $V_{IO}$ ( $PUx = 1$ )                              |                     |                      | 100         |                      | k $\Omega$ |
| Pulldown Resistance                          | $R_{GPIO-PD}$ | Internal pulldown enabled to DGND ( $PDx = 1$ )                                |                     |                      | 100         |                      | k $\Omega$ |
| <b>DEDICATED INTERNAL SUPPLIES</b>           |               |                                                                                |                     |                      |             |                      |            |
| $V_{L13}$ , $V_{L24}$ Regulator Voltage      | $V_L$         | (Note 4)                                                                       |                     |                      | 1.8         |                      | V          |
| $V_{DD}$ Regulator Voltage                   | $V_{DD}$      | (Note 4)                                                                       |                     |                      | 1.8         |                      | V          |
| <b>THERMAL PROTECTION</b>                    |               |                                                                                |                     |                      |             |                      |            |
| Thermal Alarm 1                              | $T_{J120}$    | $T_J$ rising, $15^\circ C$ hysteresis                                          |                     |                      | +120        |                      | $^\circ C$ |
| Thermal Alarm 2                              | $T_{J140}$    | $T_J$ rising, $15^\circ C$ hysteresis                                          |                     |                      | +140        |                      | $^\circ C$ |
| Over-Temperature Lockout (OTLO)              | $T_{OTLO}$    | $T_J$ rising, $15^\circ C$ hysteresis                                          |                     |                      | +165        |                      | $^\circ C$ |

**Note 2:** The MAX77511/MAX77711 is tested under pulsed load conditions such that  $T_J \approx T_A$ . Limits are 100% tested at  $T_A = +25^\circ C$ . Limits over the operating temperature range ( $T_J = -40^\circ C$  to  $+125^\circ C$ ) are guaranteed by design and characterization using statistical process control methods. Note that the maximum ambient temperature consistent with this specification is determined by specific operating conditions, board layout, rated package thermal impedance, and other environmental factors.

**Note 3:** Supply current =  $I_{SYS} + I_{IN1} + I_{IN2} + I_{IN3} + I_{IN4}$ . Output voltage condition corresponds to factory option 711A defaults. See the [Ordering Information](#) table.

**Note 4:** See the [Dedicated Internal Supplies](#) section of the data sheet.

### Electrical Characteristics—Quad-Channel Configurable Buck Regulator

( $V_{SYS} = V_{INx} = 7.4V$ , single-phase configuration (1+1+1+1) $\Phi$ ,  $V_{IO} = 1.8V$ ,  $V_{LDO} = 1.8V$ , listed conditions apply to all bucks,  $T_A = T_J = -40^\circ C$  to  $+125^\circ C$ , typical values are at  $T_A = T_J = +25^\circ C$ , unless otherwise noted.) (Note 2)

| PARAMETER                                       | SYMBOL         | CONDITIONS                                                               | MIN                                                                  | TYP   | MAX                 | UNITS |         |            |
|-------------------------------------------------|----------------|--------------------------------------------------------------------------|----------------------------------------------------------------------|-------|---------------------|-------|---------|------------|
| <b>OUTPUT VOLTAGE</b>                           |                |                                                                          |                                                                      |       |                     |       |         |            |
| Output Voltage Regulation Range                 | $V_{OUT-REGx}$ | Low-range (RNGx = 0)                                                     | Programmable with $V_{OUTREGx}[7:0]$ in 5mV steps                    | 0.25  |                     | 1.3   | V       |            |
|                                                 |                | High-range (RNGx = 1)                                                    | Programmable with $V_{OUTREGx}[7:0]$ bitfield in 20mV steps          | 1     |                     | 5.2   |         |            |
| Output Voltage Accuracy                         | $V_{OUT}$      | $I_{LOAD} = 0mA$ , Forced-PWM Mode, $V_{OUT} =$ trim target (Note 5)     | RNGx = 0, $V_{OUT} \geq 0.5V$ , $T_A = +25^\circ C$                  | -0.3  |                     | +0.3  | %       |            |
|                                                 |                |                                                                          | RNGx = 0, $V_{OUT} \geq 0.5V$ , $T_A = -40^\circ C$ to $+85^\circ C$ | -1.1  |                     | +1.1  |         |            |
|                                                 |                |                                                                          | RNGx = 1, $V_{OUT} \geq 2V$ , $T_A = +25^\circ C$                    | -0.3  |                     | +0.3  |         |            |
|                                                 |                |                                                                          | RNGx = 1, $V_{OUT} \geq 2V$ , $T_A = -40^\circ C$ to $+85^\circ C$   | -1.1  |                     | +1.1  |         |            |
| Output Voltage End-of-Range Accuracy            | $V_{OUT}$      | $I_{LOAD} = 0mA$ , Forced-PWM Mode, $T_A = -40^\circ C$ to $+85^\circ C$ | $V_{OUT} = 0.25V$ and $1.3V$ , RNGx = 0                              | -15   |                     | +15   | mV      |            |
|                                                 |                |                                                                          | $V_{OUT} = 1V$ and $5.2V$ , RNGx = 1                                 | -60   |                     | +60   |         |            |
| Load Regulation                                 |                | 4 $\Phi$ Configuration, Forced-PWM mode, $I_{LOAD} = 0A$ to $12A$        |                                                                      | 0.1   |                     | %/A   |         |            |
| Line Regulation                                 |                | $V_{IN} = 2.3V$ to $10V$ , $I_{OUT} = 0mA$ , Forced-PWM mode             | -0.1                                                                 |       | +0.1                | %/V   |         |            |
| <b>SWITCHING CHARACTERISTICS</b>                |                |                                                                          |                                                                      |       |                     |       |         |            |
| High-Side MOSFET Peak Current Limit             | $I_{PEAK-HSx}$ | $ILIMx[1:0] = 0b00$                                                      |                                                                      | 1.3   | 1.5                 | 1.7   | A       |            |
|                                                 |                | $ILIMx[1:0] = 0b01$                                                      |                                                                      | 2.025 | 2.25                | 2.475 |         |            |
|                                                 |                | $ILIMx[1:0] = 0b10$                                                      |                                                                      | 2.7   | 3                   | 3.3   |         |            |
|                                                 |                | $ILIMx[1:0] = 0b11$                                                      |                                                                      | 4.05  | 4.5                 | 4.95  |         |            |
| Low-Side MOSFET Valley Current Limit            | $I_{VALLEYx}$  | Tracks $I_{PEAK-HSx}$                                                    |                                                                      |       | $I_{PEAK-HSx} - 1A$ | A     |         |            |
| Low-Side MOSFET Negative Current Limit          | $I_{NEG}$      | Forced-PWM mode                                                          |                                                                      | -3.6  | -3.0                | -2.4  | A       |            |
| Low-Side MOSFET Zero-Crossing Current Threshold | $I_{ZX}$       | SKIP or Turbo SKIP mode                                                  |                                                                      | 50    | 115                 | 170   | mA      |            |
| LXx Leakage Current                             | $I_{LX-LKG}$   | Per phase                                                                | $V_{LXx} = 0V$ or $10V$ , $T_A = +25^\circ C$                        |       | 0.1                 | 1     | $\mu A$ |            |
|                                                 |                |                                                                          | $V_{LXx} = 0V$ or $10V$ , $T_A = -40^\circ C$ to $+85^\circ C$       |       |                     | 1     |         |            |
| High-Side MOSFET On-Resistance                  | $R_{ON-HS}$    | Per phase                                                                | $I_{LXx} = 190mA$                                                    |       |                     | 37    | 74      | m $\Omega$ |

**Electrical Characteristics—Quad-Channel Configurable Buck Regulator (continued)**

( $V_{SYS} = V_{INx} = 7.4V$ , single-phase configuration (1+1+1+1) $\Phi$ ,  $V_{IO} = 1.8V$ ,  $V_{LDO} = 1.8V$ , listed conditions apply to all bucks,  $T_A = T_J = -40^{\circ}C$  to  $+125^{\circ}C$ , typical values are at  $T_A = T_J = +25^{\circ}C$ , unless otherwise noted.) (Note 2)

| PARAMETER                                     | SYMBOL                     | CONDITIONS                                            |                                                                      | MIN                 | TYP         | MAX                 | UNITS       |
|-----------------------------------------------|----------------------------|-------------------------------------------------------|----------------------------------------------------------------------|---------------------|-------------|---------------------|-------------|
| Low-Side MOSFET On-Resistance                 | $R_{ON-LS}$                | Per phase                                             | $I_{LXx} = -190mA$                                                   |                     | 14          | 28                  | m $\Omega$  |
| Switching Frequency                           | $F_{SW}$                   | Per phase, nominal (Note 6)                           | RNG = 0, $V_{OUT} = 1.1V$ , FPWM mode, no load, $T_A = +25^{\circ}C$ |                     | 1           |                     | MHz         |
| Minimum Switching Frequency                   | $F_{SW-MIN}$               | SKIP or Turbo SKIP mode, 711A factory option          |                                                                      | 3.7                 | 3.9         | 4.1                 | kHz         |
| Maximum Duty Cycle                            | $D_{MAX}$                  | Dropout, $V_{OUT}$ below regulation target            |                                                                      |                     | 98          |                     | %           |
| <b>SPREAD-SPECTRUM MODULATION</b>             |                            |                                                       |                                                                      |                     |             |                     |             |
| Modulation Frequency                          | $F_{SSMOD}$                | Profile 1                                             |                                                                      |                     | 3.0         |                     | kHz         |
|                                               |                            | Profile 2                                             |                                                                      |                     | 5.0         |                     |             |
|                                               |                            | Profile 3                                             |                                                                      |                     | 7.0         |                     |             |
| Modulation Envelope                           | $\Delta F_{SW}$            | All profiles                                          |                                                                      |                     | $\pm 8$     |                     | %           |
| <b>FEEDBACK AND CONFIGURATION</b>             |                            |                                                       |                                                                      |                     |             |                     |             |
| PHCFGx Input Voltage High                     | $V_{PHCFG-HI}$             |                                                       |                                                                      | $0.8 \times V_{DD}$ |             |                     | V           |
| PHCFGx Input Voltage Low                      | $V_{PHCFG-LO}$             |                                                       |                                                                      |                     |             | $0.2 \times V_{DD}$ | V           |
| PHCFGx Input Leakage Current                  | $I_{PHCFG-LKG}$            | $V_{DD} = 1.8V$ , $V_{PHCFGx} = 0V$ and $1.8V$        | $T_A = +25^{\circ}C$                                                 | -1                  | $\pm 0.001$ | +1                  | $\mu A$     |
|                                               |                            |                                                       | $T_A = +85^{\circ}C$                                                 |                     |             | $\pm 0.01$          |             |
| <b>OUTPUT VOLTAGE RAMP RATES</b>              |                            |                                                       |                                                                      |                     |             |                     |             |
| Soft-Start, Soft-Stop, DVS Ramp Rate Accuracy |                            | Root clock accuracy                                   |                                                                      | -5                  |             | +5                  | %           |
| Soft-Start, Soft-Stop, DVS Ramp Rate (Note 7) | $\Delta V_{OUTx}/\Delta t$ | SFTUPDNx[2:0] = DVSRISEx[2:0] = DVSFALLx[2:0] = 0b000 |                                                                      |                     | 0.15        |                     | mV/ $\mu s$ |
|                                               |                            | SFTUPDNx[2:0] = DVSRISEx[2:0] = DVSFALLx[2:0] = 0b001 |                                                                      |                     | 0.625       |                     |             |
|                                               |                            | SFTUPDNx[2:0] = DVSRISEx[2:0] = DVSFALLx[2:0] = 0b010 |                                                                      |                     | 1.25        |                     |             |
|                                               |                            | SFTUPDNx[2:0] = DVSRISEx[2:0] = DVSFALLx[2:0] = 0b011 |                                                                      |                     | 2.5         |                     |             |
|                                               |                            | SFTUPDNx[2:0] = DVSRISEx[2:0] = DVSFALLx[2:0] = 0b100 |                                                                      |                     | 5           |                     |             |
|                                               |                            | SFTUPDNx[2:0] = DVSRISEx[2:0] = DVSFALLx[2:0] = 0b101 |                                                                      |                     | 10          |                     |             |
|                                               |                            | SFTUPDNx[2:0] = DVSRISEx[2:0] = DVSFALLx[2:0] = 0b110 |                                                                      |                     | 20          |                     |             |
|                                               |                            | SFTUPDNx[2:0] = DVSRISEx[2:0] = DVSFALLx[2:0] = 0b111 |                                                                      |                     | 40          |                     |             |

**Electrical Characteristics—Quad-Channel Configurable Buck Regulator (continued)**

( $V_{SYS} = V_{INx} = 7.4V$ , single-phase configuration (1+1+1+1) $\Phi$ ,  $V_{IO} = 1.8V$ ,  $V_{LDO} = 1.8V$ , listed conditions apply to all bucks,  $T_A = T_J = -40^\circ C$  to  $+125^\circ C$ , typical values are at  $T_A = T_J = +25^\circ C$ , unless otherwise noted.) (Note 2)

| PARAMETER                            | SYMBOL           | CONDITIONS                                                                                                                                          |                                                          | MIN                 | TYP         | MAX                 | UNITS    |
|--------------------------------------|------------------|-----------------------------------------------------------------------------------------------------------------------------------------------------|----------------------------------------------------------|---------------------|-------------|---------------------|----------|
| DVS Ramp Delay                       | $t_{DVSDLY}$     | Measured from DVS input (GPIO assigned special function) rising edge to first LX pulse, GPIO debounce filter disabled (DBNC_SELx[1:0] = 0) (Note 8) |                                                          |                     | 3           |                     | $\mu s$  |
| Startup Ramp Delay                   | $t_{SUDLY}$      | Measured from BEN input (GPIO assigned special function) rising edge to first LX pulse, GPIO debounce filter disabled (DBNC_SELx[1:0] = 0b00)       | $V_{L13}/V_{L24}$ regulators pre-enabled (FVLEN = 1)     |                     | 10          | 40                  | $\mu s$  |
|                                      |                  |                                                                                                                                                     | $V_{L13}/V_{L24}$ regulators not pre-enabled (FVLEN = 0) |                     | 50          |                     |          |
| LX Active Discharge Resistance       | $R_{LX-AD}$      | Buck regulator disabled, active discharge resistor enabled (ADENx = 1), resistance from LXx to corresponding PGNDx, per phase                       |                                                          |                     | 100         | 170                 | $\Omega$ |
| <b>OVERCURRENT PROTECTION</b>        |                  |                                                                                                                                                     |                                                          |                     |             |                     |          |
| Power-OK Threshold                   | $V_{POK-R}$      | $V_{OUTx}$ rising, expressed as a percentage of $V_{OUT-REGx}$                                                                                      |                                                          | 77                  | 82          | 87                  | %        |
|                                      | $V_{POK-F}$      | $V_{OUTx}$ falling, expressed as a percentage of $V_{OUT-REGx}$                                                                                     |                                                          | 73                  | 78          | 83                  |          |
| Hard-Short Detection Threshold       | $V_{SCP}$        | $V_{OUTx}$ falling, expressed as a percentage of target voltage ( $V_{OUT-REGx}$ )                                                                  |                                                          |                     | 20          |                     | %        |
| Soft-Short Shutdown Timer            | $t_{SFTSHRT}$    | SCPWARN_TIME[1:0] = 0b01                                                                                                                            |                                                          |                     | 25          |                     | ms       |
|                                      |                  | SCPWARN_TIME[1:0] = 0b10                                                                                                                            |                                                          |                     | 50          |                     |          |
|                                      |                  | SCPWARN_TIME[1:0] = 0b11                                                                                                                            |                                                          |                     | 100         |                     |          |
| nRSTIO Input Voltage Low             | $V_{nRSTI-LO}$   | $V_{DD} = 1.8V$                                                                                                                                     |                                                          |                     |             | $0.3 \times V_{DD}$ | V        |
| nRSTIO Input Voltage High            | $V_{nRSTI-HI}$   | $V_{DD} = 1.8V$                                                                                                                                     |                                                          | $0.7 \times V_{DD}$ |             |                     | V        |
| nRSTIO Output Voltage Low            | $V_{nRSTO-LO}$   | Sinking 2mA                                                                                                                                         |                                                          |                     |             | 0.4                 | V        |
| nRSTIO Input Leakage                 | $I_{nRSTIO-LKG}$ | $V_{DD} = 1.8V$ ,<br>$V_{nRSTIO} = 3.3V$<br>and 0V                                                                                                  | $T_A = +25^\circ C$                                      | -1                  | $\pm 0.001$ | +1                  | $\mu A$  |
|                                      |                  |                                                                                                                                                     | $T_A = +85^\circ C$                                      |                     |             | $\pm 0.01$          |          |
| nRSTIO Input Glitch Filter           |                  |                                                                                                                                                     |                                                          |                     | 100         |                     | $\mu s$  |
| <b>OUTPUT CURRENT MONITOR (AMUX)</b> |                  |                                                                                                                                                     |                                                          |                     |             |                     |          |
| Full-Scale Voltage                   | $V_{FS}$         |                                                                                                                                                     |                                                          |                     | 1           |                     | V        |
| Output Current Monitor Gain          | $G_{DCIMON}$     |                                                                                                                                                     |                                                          |                     | 1.0/3.0     |                     | V/A      |
| DC Current Monitor Accuracy          |                  | Per phase, $V_{OUT} = 1.0V$ , $T_A = +25^\circ C$                                                                                                   | $I_{LOAD} = 1A$                                          | -30                 |             | +30                 | %        |
|                                      |                  |                                                                                                                                                     | $I_{LOAD} = 3A$                                          | -10                 |             | +10                 |          |
| Channel Switching Time               |                  | Includes signal settling time (Note 9)                                                                                                              |                                                          |                     | 0.2         |                     | ms       |

**Electrical Characteristics—Quad-Channel Configurable Buck Regulator (continued)**

( $V_{SYS} = V_{INX} = 7.4V$ , single-phase configuration (1+1+1+1) $\Phi$ ,  $V_{IO} = 1.8V$ ,  $V_{LDO} = 1.8V$ , listed conditions apply to all bucks,  $T_A = T_J = -40^\circ C$  to  $+125^\circ C$ , typical values are at  $T_A = T_J = +25^\circ C$ , unless otherwise noted.) (Note 2)

| PARAMETER           | SYMBOL | CONDITIONS                                     |                     | MIN | TYP | MAX | UNITS   |
|---------------------|--------|------------------------------------------------|---------------------|-----|-----|-----|---------|
| Off Leakage Current |        | $V_{AMUX} = 0V$ ,<br>AMUX is high<br>impedance | $T_A = +25^\circ C$ |     | 1   | 500 | nA      |
|                     |        |                                                | $T_A = +85^\circ C$ |     | 1   |     | $\mu A$ |

**Note 5:** See the [Ordering Information](#) table for  $V_{OUT}$  trim targets associated with each part number.

**Note 6:** Switching frequency is not set by a clock oscillator.  $F_{SW}$  varies depending on input voltage, output voltage, load, and spread-spectrum settings.

**Note 7:** Soft-start, soft-stop, DVS rising, and DVS falling ramps are all controlled by the same internal digital-to-analog converter circuit and share the same test set. Soft-start and soft-stop share the same control bits and are equal in magnitude but opposite in direction. DVS rising and DVS falling ramps are independently controlled. See the [Register Map](#) for details.

**Note 8:** Digitally debounced for three consecutive  $1\mu s$  clock periods. Typical debounce time is at least  $3\mu s$  and up to  $4\mu s$  due to synchronization to the digital clock.

**Note 9:** Not production tested. Design guidance only.

**Electrical Characteristics—Linear Regulator (MAX77711 Only)**

( $V_{SYS} = 7.4V$ ,  $V_{INLDO} = 3.3V$ ,  $V_{LDO} = 1.8V$ ,  $C_{INLDO} = 10\mu F$ ,  $C_{LDO} = 2.2\mu F$ ,  $T_A = T_J = -40^\circ C$  to  $+125^\circ C$ , typical values are at  $T_A = T_J = +25^\circ C$ , MAX77711 only, unless otherwise noted.) (Note 2)

| PARAMETER                            | SYMBOL                    | CONDITIONS                                                                                                                                |                                               | MIN  | TYP  | MAX   | UNITS       |
|--------------------------------------|---------------------------|-------------------------------------------------------------------------------------------------------------------------------------------|-----------------------------------------------|------|------|-------|-------------|
| <b>LDO (MAX77711 Only)</b>           |                           |                                                                                                                                           |                                               |      |      |       |             |
| INLDO Voltage Range                  | $V_{INLDO}$               |                                                                                                                                           |                                               | 1.25 |      | 5.5   | V           |
| INLDO Undervoltage Lockout Threshold | $V_{INLDO-UVLO}$          | DC rising (130mV hysteresis)                                                                                                              |                                               | 1.15 | 1.2  | 1.25  | V           |
| INLDO Shutdown Current               | $I_{INLDO-SHDN}$          | LDO disabled                                                                                                                              |                                               |      | 0.1  |       | $\mu A$     |
| INLDO Supply Current                 | $I_{INLDO-Q}$             | $V_{LDO} = 1.8V$ , no load                                                                                                                |                                               |      | 20   |       | $\mu A$     |
| LDO Output Voltage Range             | $V_{LDO-REG}$             | Target regulation voltage, programmable in 25mV steps with LDO_VREG[6:0]                                                                  |                                               | 0.4  |      | 1.975 | V           |
| LDO Output Voltage Accuracy          | $V_{LDO}$                 | $V_{INLDO} = V_{LDO} + 0.3V$ to 5.5V, across all $V_{LDO-REG}$ settings, $I_{LDO} = 0.1mA$ to 300mA, $T_A = -40^\circ C$ to $+85^\circ C$ |                                               | -2   |      | +2    | %           |
| LDO Maximum Output Current           | $I_{LDO}$                 | (Note 10)                                                                                                                                 |                                               | 300  |      |       | mA          |
| Load Regulation                      |                           | $V_{INLDO} = V_{LDO} + 0.3V$ to 5.5V, across all $V_{LDO-REG}$ settings, $I_{LDO} = 0.1mA$ to 300mA                                       |                                               |      | 0.5  |       | %           |
| Line Regulation                      |                           | $I_{LDO} = 0.1mA$ , $V_{INLDO} = V_{LDO} + 0.3V$ to 5.5V, across all $V_{LDO-REG}$ settings                                               |                                               |      | 0.05 |       | %/V         |
| Dropout Voltage                      | $V_{DO}$                  | $I_{LDO} = 300mA$<br>(Note 11)                                                                                                            | $V_{INLDO} = 1.7V$ ,<br>$V_{LDO-REG} = 1.85V$ |      | 120  |       | mV          |
| LDO Current Limit                    |                           | $V_{LDO} = 90%$ of programmed target                                                                                                      |                                               | 320  | 550  | 1000  | mA          |
| LDO Output Capacitance for Stability | $C_{LDO}$                 | (Note 12)                                                                                                                                 |                                               | 2.2  | 4.7  |       | $\mu F$     |
| LDO Startup Ramp Rate                | $\Delta V_{LDO}/\Delta t$ | 10% to 90% of final value                                                                                                                 |                                               |      | 4    |       | mV/ $\mu s$ |

**Electrical Characteristics—Linear Regulator (MAX77711 Only) (continued)**

( $V_{SYS} = 7.4V$ ,  $V_{INLDO} = 3.3V$ ,  $V_{LDO} = 1.8V$ ,  $C_{INLDO} = 10\mu F$ ,  $C_{LDO} = 2.2\mu F$ ,  $T_A = T_J = -40^\circ C$  to  $+125^\circ C$ , typical values are at  $T_A = T_J = +25^\circ C$ , MAX77711 only, unless otherwise noted.) (Note 2)

| PARAMETER                    | SYMBOL         | CONDITIONS                                                                               | MIN                                    | TYP | MAX | UNITS         |
|------------------------------|----------------|------------------------------------------------------------------------------------------|----------------------------------------|-----|-----|---------------|
| Output Noise                 |                | f = 10Hz to 100kHz, $I_{LDO} = 15mA$                                                     | $V_{INLDO} = 2.7V$ ,<br>$V_{LDO} = 1V$ | 137 |     | $\mu V_{RMS}$ |
|                              |                |                                                                                          | $V_{INLDO} = 3.7V$ ,<br>$V_{LDO} = 1V$ | 138 |     |               |
|                              |                |                                                                                          | $V_{INLDO} = 5.5V$ ,<br>$V_{LDO} = 1V$ | 133 |     |               |
| Power-Supply Rejection Ratio | PSRR           | $V_{INLDO} = 3.3V + 20mV_{P-P}$ , f = 10Hz to 10kHz, $V_{LDO} = 0.8V$ , $I_{LDO} = 30mA$ |                                        | 75  |     | dB            |
| Active Discharge Resistance  | $R_{AD\_LDO}$  |                                                                                          |                                        | 100 |     | $\Omega$      |
| Power-OK Threshold           | $V_{POKLDO-R}$ | $V_{LDO}$ rising, expressed as a percentage of $V_{LDO-REG}$                             | 87                                     | 92  | 97  | %             |
|                              | $V_{LDOPOK-F}$ | $V_{LDO}$ falling, expressed as a percentage of $V_{LDO-REG}$                            | 85                                     | 90  | 95  |               |

**Note 10:** Guaranteed by the Output Voltage Accuracy tests.

**Note 11:** The dropout voltage is the difference between the input voltage and the output voltage when the input voltage is within the valid input voltage range, but below the output voltage setpoint. For example, if the output voltage setpoint is 1.85V, the input voltage is 1.7V, and the actual output voltage is 1.65V, then the dropout voltage is 50mV ( $V_{DO} = V_{INLDO} - V_{LDO}$ ).

**Note 12:** For stability, guaranteed by design and not production tested.

**Electrical Characteristics—I<sup>2</sup>C Serial Interface**

( $V_{SYS} = 7.4V$ ,  $V_{IO} = 1.8V$ , all GPIOs unconnected,  $T_A = T_J = -40^\circ C$  to  $+125^\circ C$ , typical values are at  $T_A = T_J = +25^\circ C$ , unless otherwise noted.) (Note 2)

| PARAMETER                           | SYMBOL         | CONDITIONS                                           | MIN  | TYP | MAX  | UNITS   |
|-------------------------------------|----------------|------------------------------------------------------|------|-----|------|---------|
| <b>I/O Stage</b>                    |                |                                                      |      |     |      |         |
| $V_{IO}$ Voltage Range              | $V_{IO}$       |                                                      | 1.65 |     | 5.5  | V       |
| $V_{IO}$ Valid Threshold            | $V_{IO-VALID}$ | DC Rising                                            | 1.25 | 1.5 | 1.65 | V       |
| $V_{IO}$ Valid Threshold Hysteresis |                |                                                      |      | 200 |      | mV      |
| $V_{IO}$ Bias Current               |                | $T_A = +25^\circ C$ , all GPIOs unconnected          | -1   | 0   | +1   | $\mu A$ |
| SCL, SDA Input HIGH Voltage         | $V_{IH}$       |                                                      | 1.44 |     |      | V       |
| SCL, SDA Input LOW Voltage          | $V_{IL}$       |                                                      |      |     | 0.54 | V       |
| SCL, SDA Input Hysteresis           | $V_{HYS}$      |                                                      |      | 0.3 |      | V       |
| SCL, SDA Input Leakage Current      | $I_I$          | $V_{IO} = 5.5V$ , $V_{SCL} = V_{SDA} = 0V$ or $5.5V$ | -10  |     | +10  | $\mu A$ |
| SDA Output Low Voltage              | $V_{OL}$       | Sinking 20mA                                         |      |     | 0.4  | V       |
| SCL, SDA Pin Capacitance            |                | (Note 9)                                             |      | 10  |      | pF      |

**Electrical Characteristics—I<sup>2</sup>C Serial Interface (continued)**

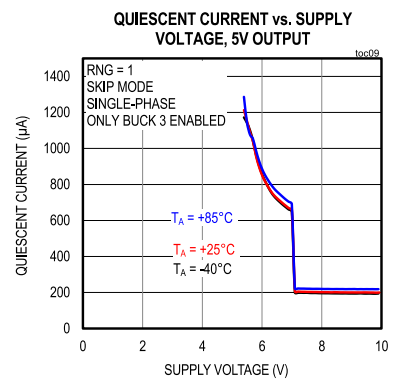
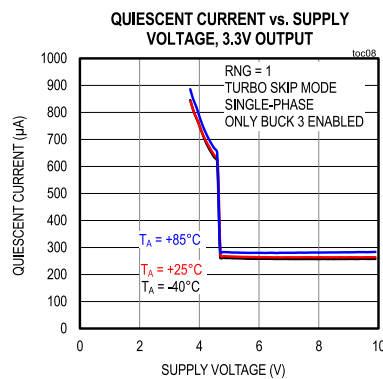
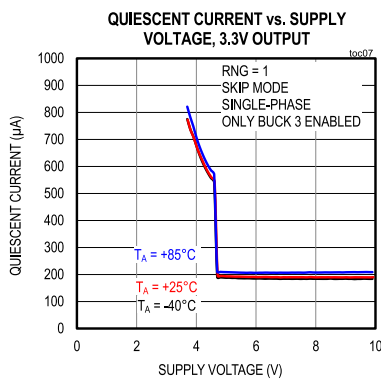
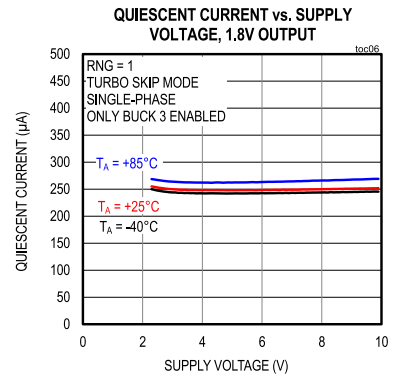
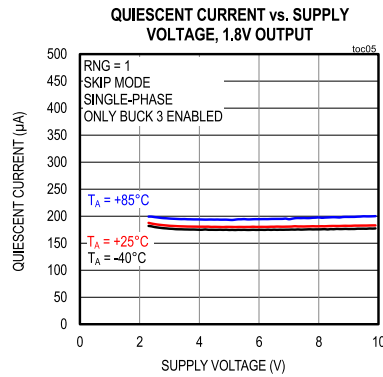
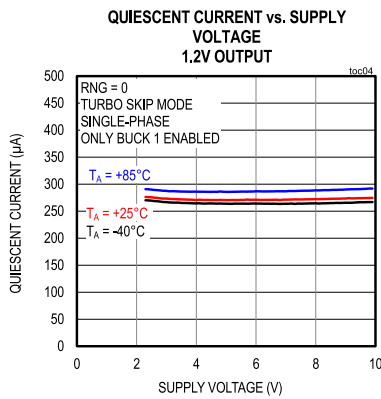
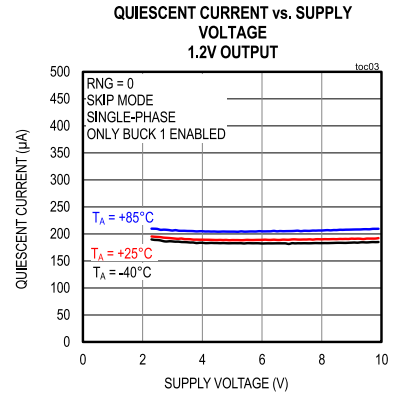
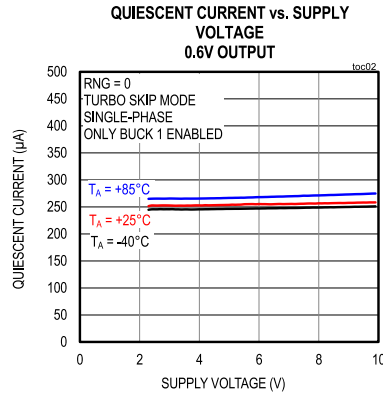
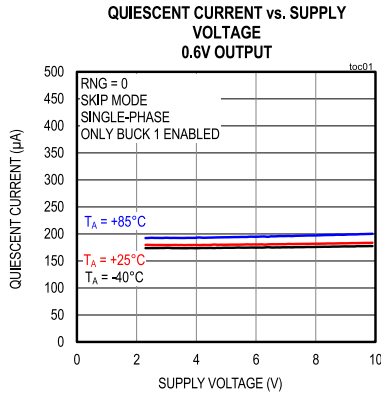
(V<sub>SYS</sub> = 7.4V, V<sub>IO</sub> = 1.8V, all GPIOs unconnected, T<sub>A</sub> = T<sub>J</sub> = -40°C to +125°C, typical values are at T<sub>A</sub> = T<sub>J</sub> = +25°C, unless otherwise noted.) (Note 2)

| PARAMETER                                          | SYMBOL              | CONDITIONS      | MIN | TYP | MAX | UNITS |
|----------------------------------------------------|---------------------|-----------------|-----|-----|-----|-------|
| <b>TIMING (STANDARD, FAST, AND FAST-MODE PLUS)</b> |                     |                 |     |     |     |       |
| Clock Frequency                                    | f <sub>SCL</sub>    |                 |     |     | 1   | MHz   |
| Bus Free Time between STOP and START Condition     | t <sub>BUF</sub>    |                 | 0.5 |     |     | μs    |
| Setup Time REPEATED START Condition                | t <sub>SU;STA</sub> |                 | 260 |     |     | ns    |
| Hold Time REPEATED START Condition                 | t <sub>HD;STA</sub> |                 | 260 |     |     | ns    |
| SCL LOW Period                                     | t <sub>LOW</sub>    |                 | 500 |     |     | ns    |
| SCL HIGH Period                                    | t <sub>HIGH</sub>   |                 | 260 |     |     | ns    |
| Data Setup Time                                    | t <sub>SU;DAT</sub> |                 | 50  |     |     | ns    |
| Data Hold Time                                     | t <sub>HD;DAT</sub> |                 | 0   |     |     | μs    |
| Setup Time for STOP Condition                      | t <sub>SU;STO</sub> |                 | 260 |     |     | ns    |
| Input Filter Suppressed Spike Pulse Width          | t <sub>SP</sub>     | (Note 9)        |     | 50  |     | ns    |
| <b>TIMING (HIGH-SPEED MODE)</b>                    |                     |                 |     |     |     |       |
| Clock Frequency                                    | f <sub>SCL</sub>    | High-speed mode |     |     | 3.4 | MHz   |
| Setup Time REPEATED START Condition                | t <sub>SU;STA</sub> |                 | 160 |     |     | ns    |
| Hold Time REPEATED START Condition                 | t <sub>HD;STA</sub> |                 | 160 |     |     | ns    |
| SCL LOW Period                                     | t <sub>LOW</sub>    |                 | 160 |     |     | ns    |
| SCL HIGH Period                                    | t <sub>HIGH</sub>   |                 | 60  |     |     | ns    |
| Data Setup Time                                    | t <sub>SU;DAT</sub> |                 | 10  |     |     | ns    |
| Data Hold Time                                     | t <sub>HD;DAT</sub> |                 | 0   |     |     | μs    |
| Setup Time for STOP Condition                      | t <sub>SU;STO</sub> |                 | 160 |     |     | ns    |
| Input Filter Suppressed Spike Pulse Width          | t <sub>SP</sub>     | (Note 9)        |     | 10  |     | ns    |



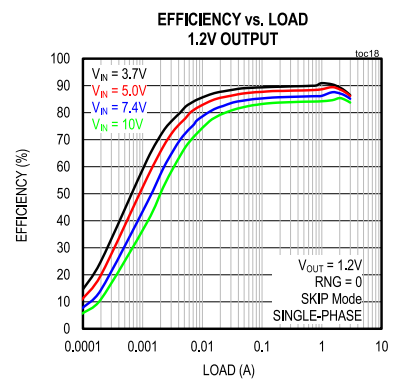
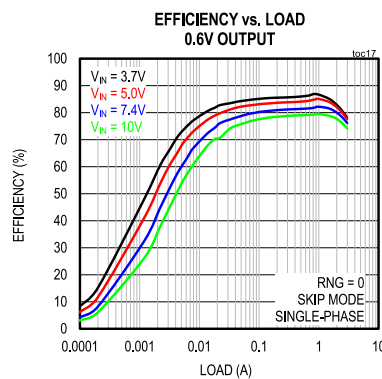
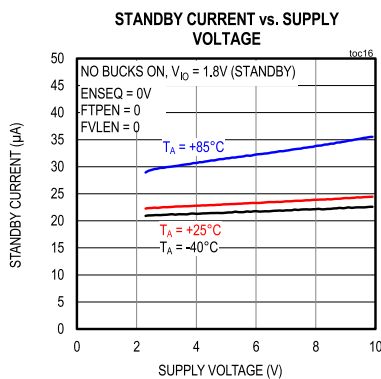
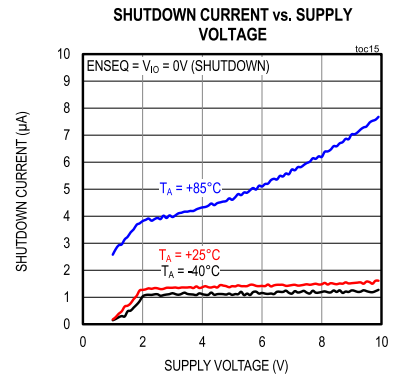
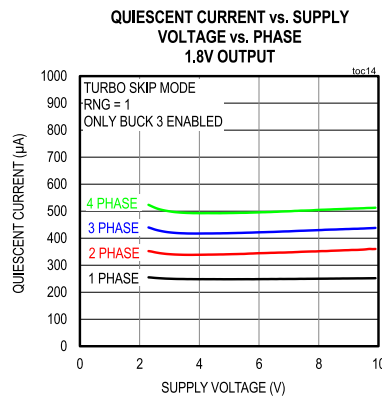
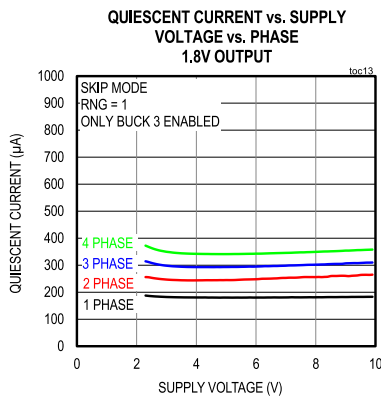
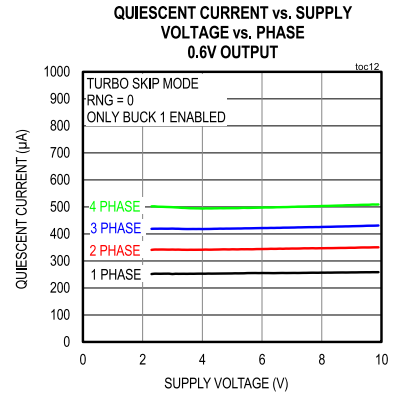
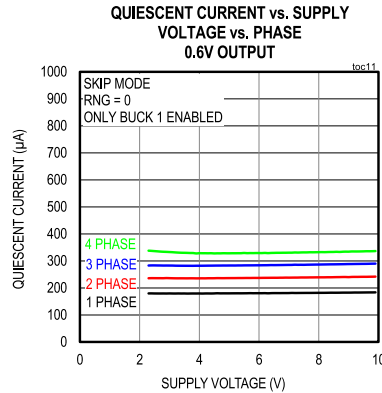
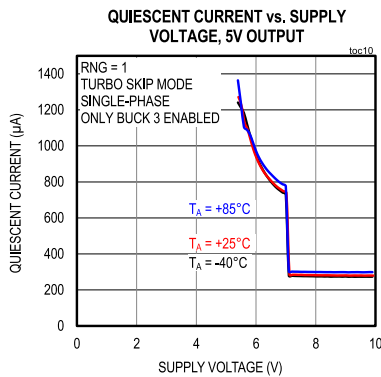
Typical Operating Characteristics

( $V_{INx} = V_{SYS} = 7.4V$ ,  $V_{OUT} = 1.2V$ , single-phase configuration,  $RNGx = 0$ ,  $L = 0.47\mu H$  (Murata 2520 metric case size), Turbo SKIP mode, transient performance option on,  $I_{PEAK-HSx} = 4.5A$ ,  $T_A = +25^\circ C$ , unless otherwise noted.)



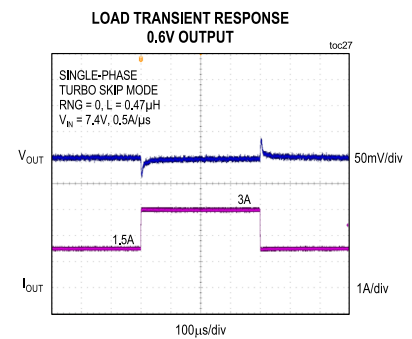
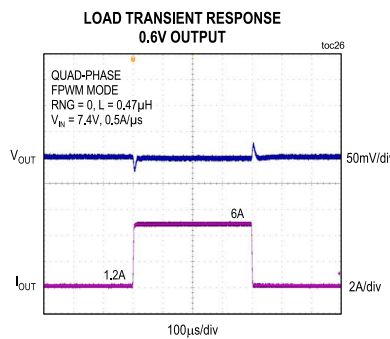
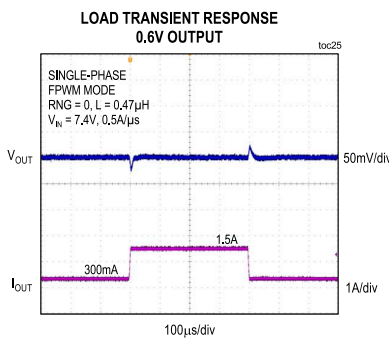
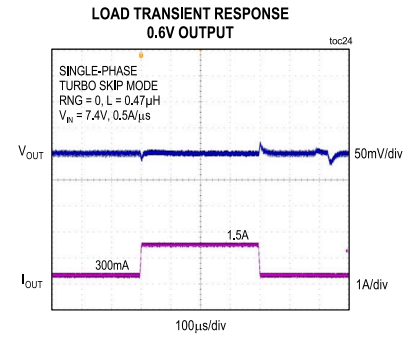
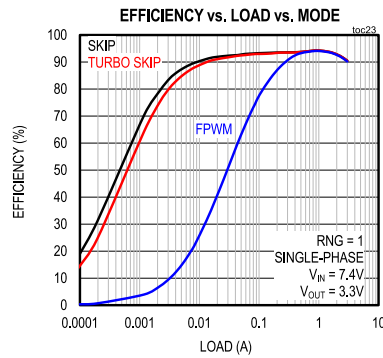
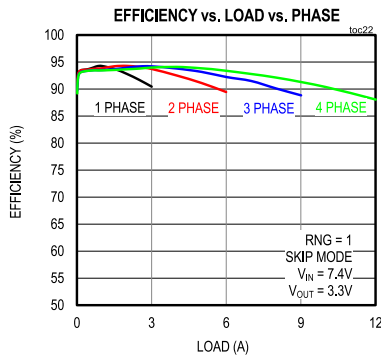
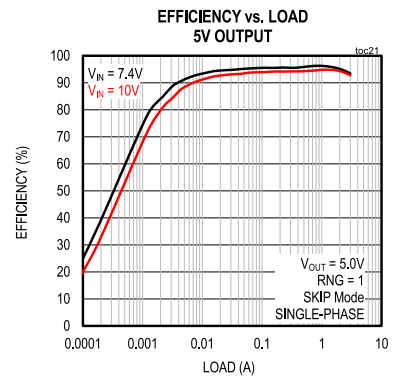
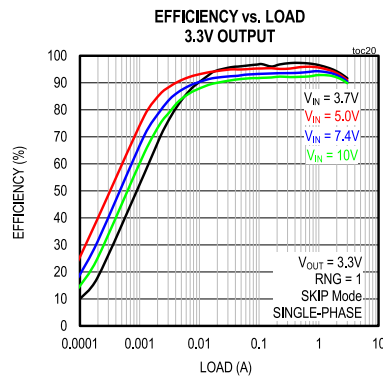
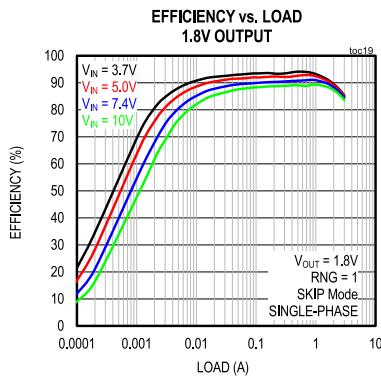
Typical Operating Characteristics (continued)

( $V_{INx} = V_{SYS} = 7.4V$ ,  $V_{OUT} = 1.2V$ , single-phase configuration,  $RNGx = 0$ ,  $L = 0.47\mu H$  (Murata 2520 metric case size), Turbo SKIP mode, transient performance option on,  $I_{PEAK-HSx} = 4.5A$ ,  $T_A = +25^\circ C$ , unless otherwise noted.)



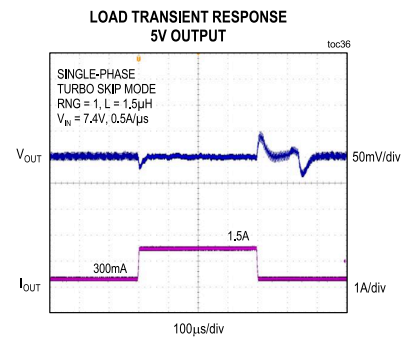
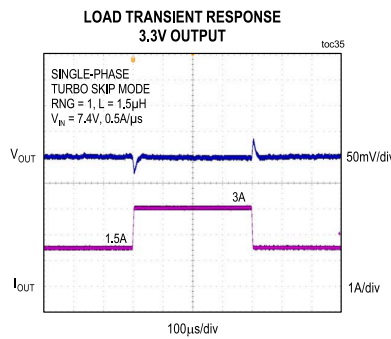
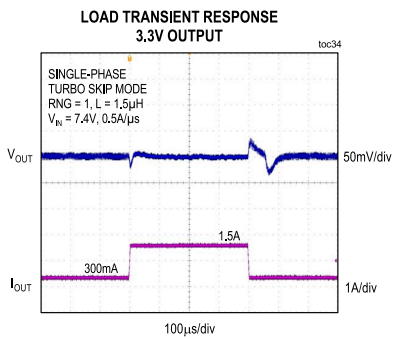
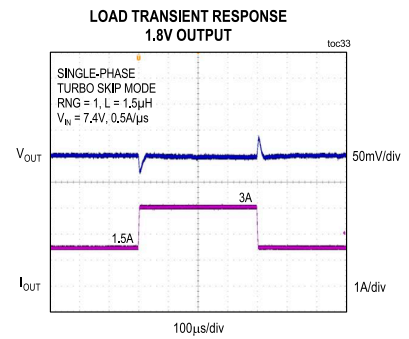
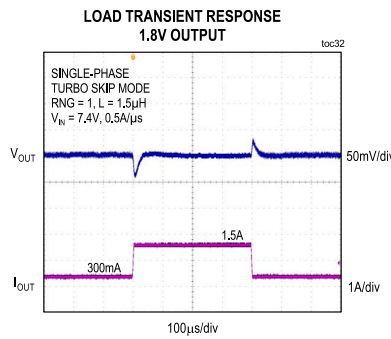
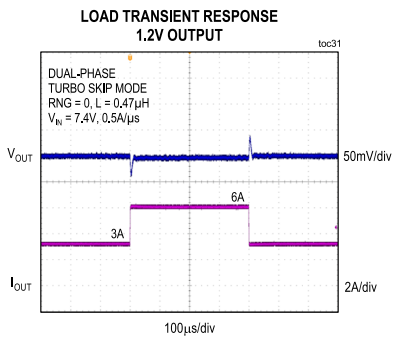
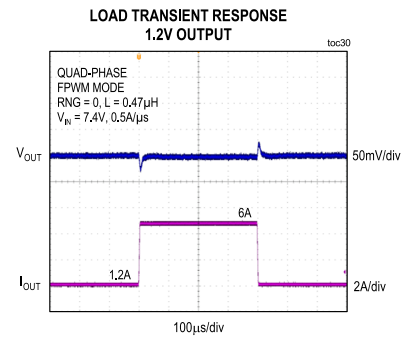
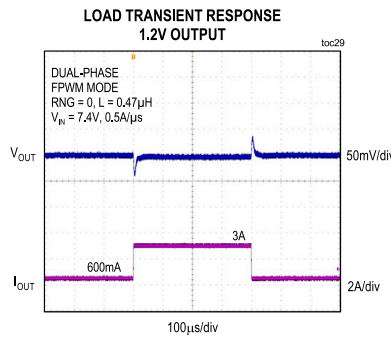
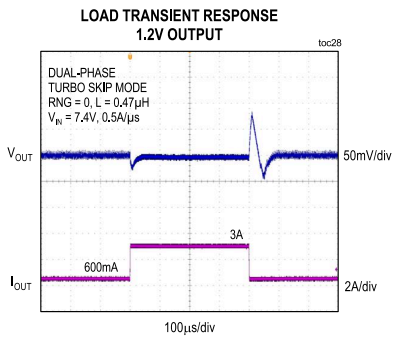
Typical Operating Characteristics (continued)

( $V_{INX} = V_{SYS} = 7.4V$ ,  $V_{OUT} = 1.2V$ , single-phase configuration,  $RNGx = 0$ ,  $L = 0.47\mu H$  (Murata 2520 metric case size), Turbo SKIP mode, transient performance option on,  $I_{PEAK-HSX} = 4.5A$ ,  $T_A = +25^\circ C$ , unless otherwise noted.)



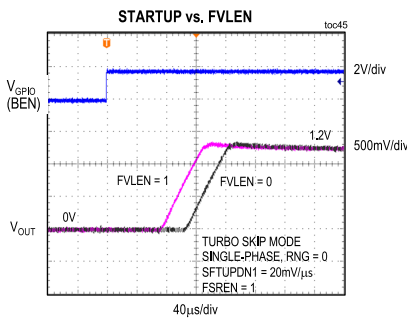
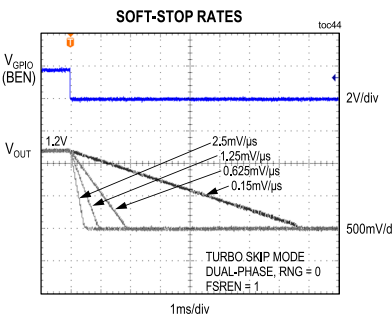
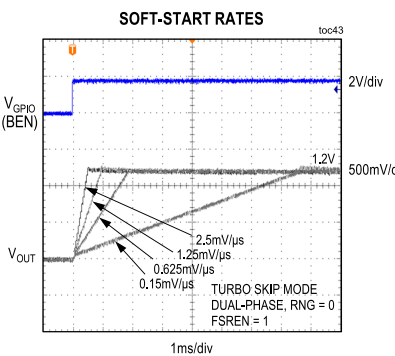
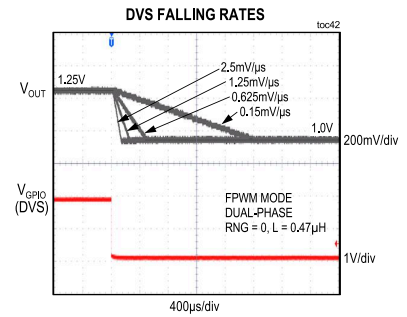
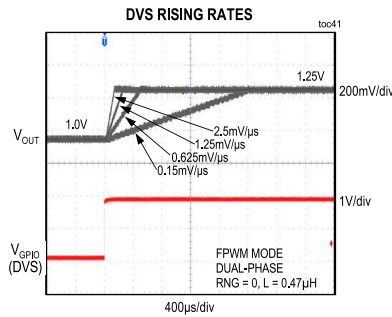
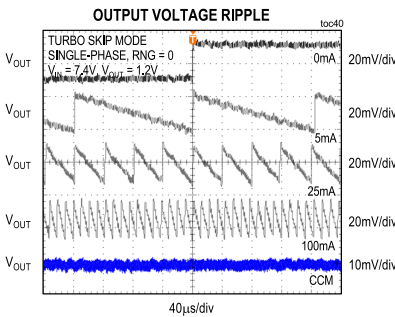
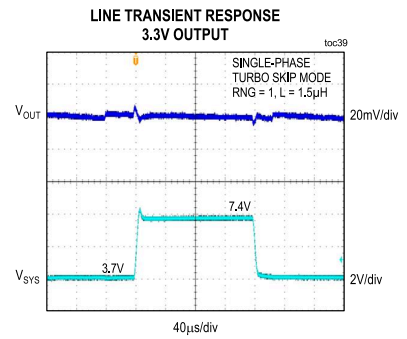
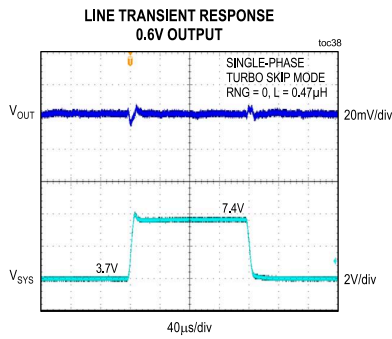
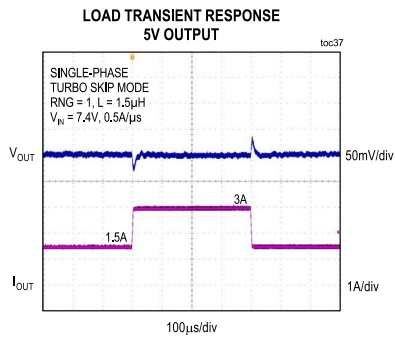
Typical Operating Characteristics (continued)

( $V_{INx} = V_{SYS} = 7.4V$ ,  $V_{OUT} = 1.2V$ , single-phase configuration,  $RNGx = 0$ ,  $L = 0.47\mu H$  (Murata 2520 metric case size), Turbo SKIP mode, transient performance option on,  $I_{PEAK-HSx} = 4.5A$ ,  $T_A = +25^\circ C$ , unless otherwise noted.)



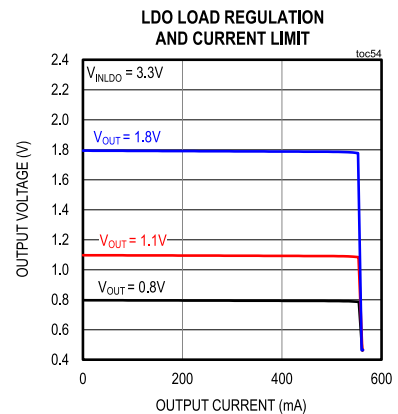
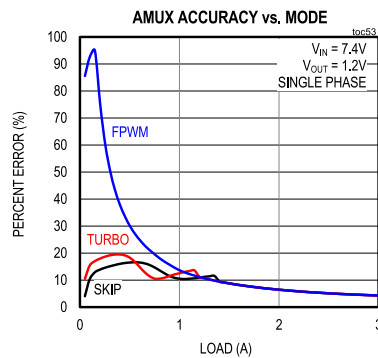
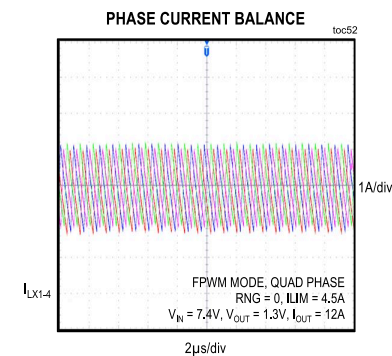
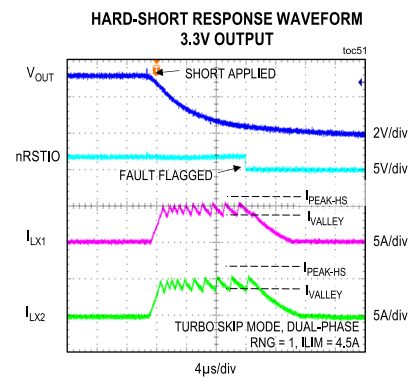
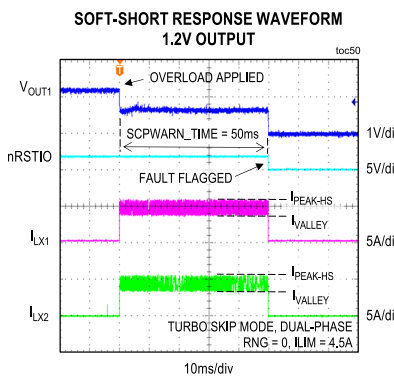
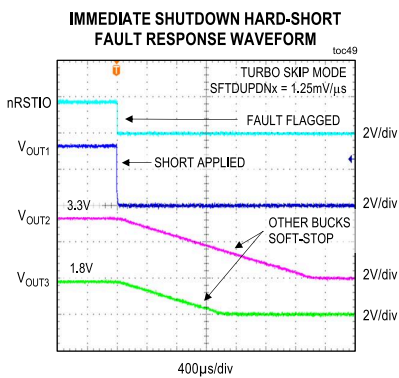
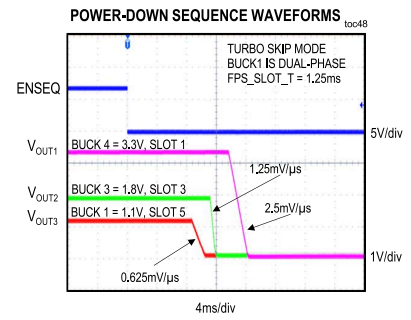
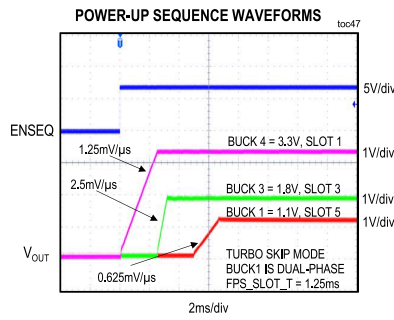
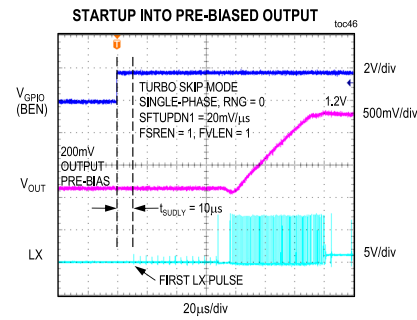
Typical Operating Characteristics (continued)

( $V_{INX} = V_{SYS} = 7.4V$ ,  $V_{OUT} = 1.2V$ , single-phase configuration,  $RNGx = 0$ ,  $L = 0.47\mu H$  (Murata 2520 metric case size), Turbo SKIP mode, transient performance option on,  $I_{PEAK-HSX} = 4.5A$ ,  $T_A = +25^\circ C$ , unless otherwise noted.)



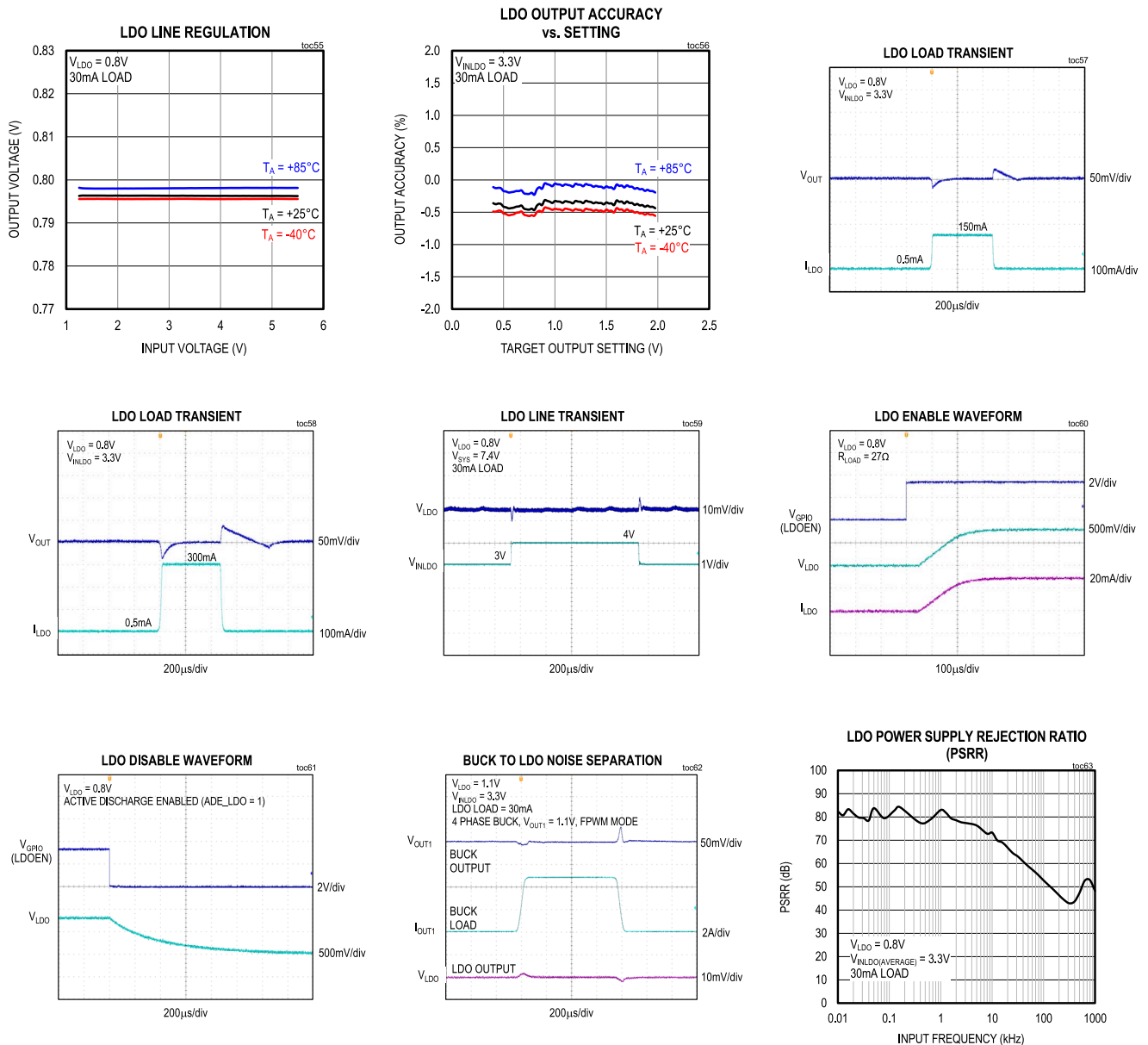
Typical Operating Characteristics (continued)

( $V_{INx} = V_{SYS} = 7.4V$ ,  $V_{OUT} = 1.2V$ , single-phase configuration,  $RNGx = 0$ ,  $L = 0.47\mu H$  (Murata 2520 metric case size), Turbo SKIP mode, transient performance option on,  $I_{PEAK-HSx} = 4.5A$ ,  $T_A = +25^\circ C$ , unless otherwise noted.)



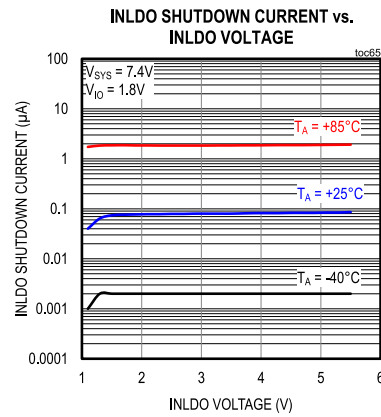
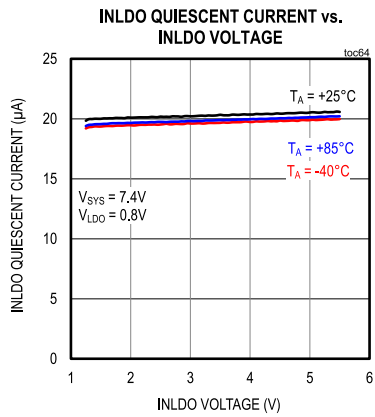
Typical Operating Characteristics (continued)

( $V_{INX} = V_{SYS} = 7.4V$ ,  $V_{OUT} = 1.2V$ , single-phase configuration,  $RNGx = 0$ ,  $L = 0.47\mu H$  (Murata 2520 metric case size), Turbo SKIP mode, transient performance option on,  $I_{PEAK-HSX} = 4.5A$ ,  $T_A = +25^\circ C$ , unless otherwise noted.)



Typical Operating Characteristics (continued)

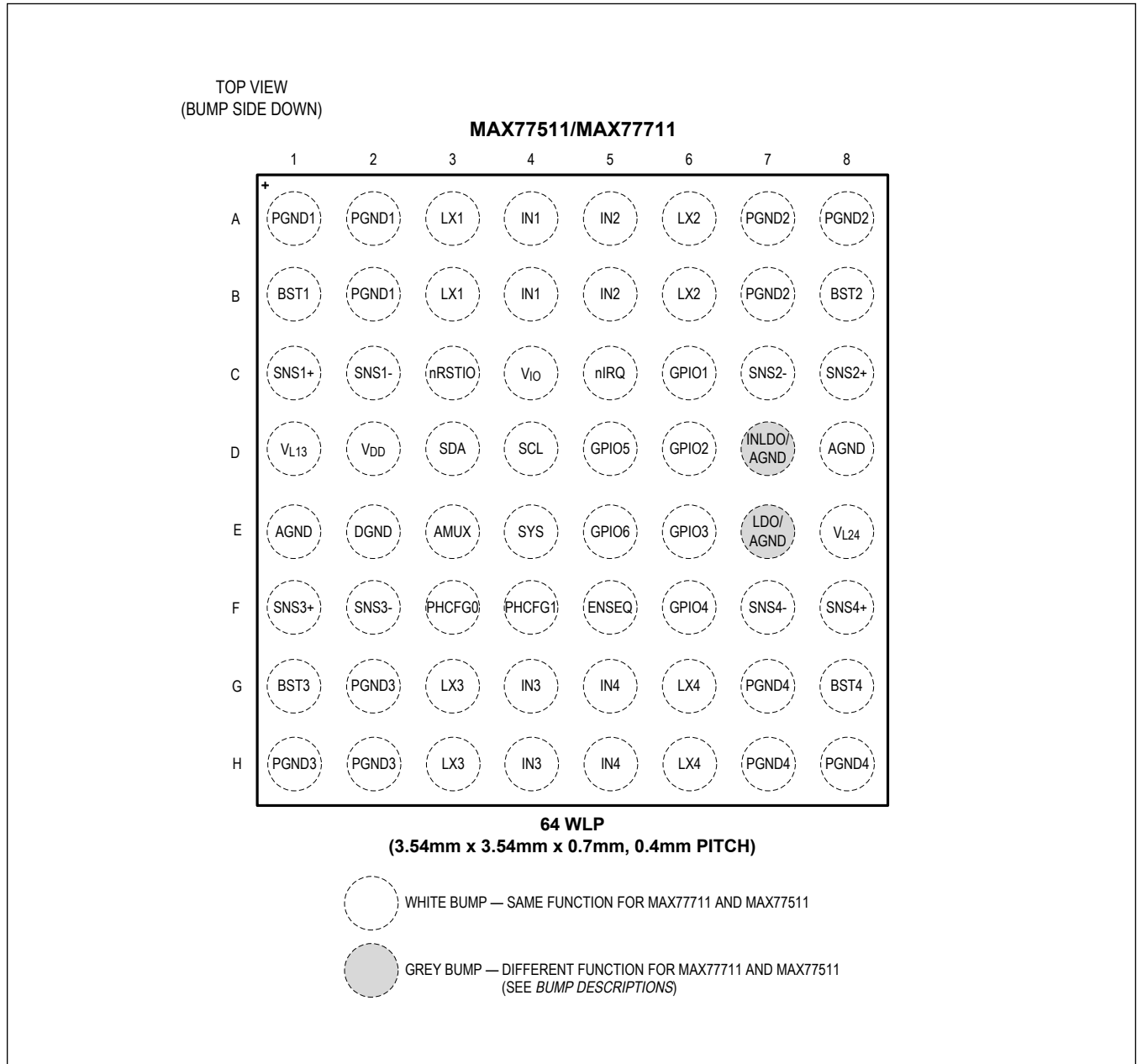
( $V_{INX} = V_{SYS} = 7.4V$ ,  $V_{OUT} = 1.2V$ , single-phase configuration,  $RNGx = 0$ ,  $L = 0.47\mu H$  (Murata 2520 metric case size), Turbo SKIP mode, transient performance option on,  $I_{PEAK-HSX} = 4.5A$ ,  $T_A = +25^\circ C$ , unless otherwise noted.)





### Bump Configuration

#### 64 WLP



### Bump Descriptions

| PIN                          | NAME | FUNCTION                                                      | TYPE        |
|------------------------------|------|---------------------------------------------------------------|-------------|
| <b>BUCK SWITCHING PHASES</b> |      |                                                               |             |
| A4, B4                       | IN1  | Phase 1 Input. Bypass to PGND1 with a 10µF ceramic capacitor. | power input |
| A5, B5                       | IN2  | Phase 2 Input. Bypass to PGND2 with a 10µF ceramic capacitor. | power input |

## Bump Descriptions (continued)

| PIN                                     | NAME   | FUNCTION                                                                                                                                                                                                                             | TYPE          |
|-----------------------------------------|--------|--------------------------------------------------------------------------------------------------------------------------------------------------------------------------------------------------------------------------------------|---------------|
| G4, H4                                  | IN3    | Phase 3 Input. Bypass to PGND3 with a 10 $\mu$ F ceramic capacitor.                                                                                                                                                                  | power input   |
| G5, H5                                  | IN4    | Phase 4 Input. Bypass to PGND4 with a 10 $\mu$ F ceramic capacitor.                                                                                                                                                                  | power input   |
| B1                                      | BST1   | Phase 1 High-Side FET Driver Supply. Connect a 0.1 $\mu$ F ceramic capacitor between BST1 and LX1.                                                                                                                                   | power input   |
| A3, B3                                  | LX1    | Phase 1 Switching Node                                                                                                                                                                                                               | power I/O     |
| B8                                      | BST2   | Phase 2 High-Side FET Driver Supply. Connect a 0.1 $\mu$ F ceramic capacitor between BST2 and LX2.                                                                                                                                   | power input   |
| A6, B6                                  | LX2    | Phase 2 Switching Node                                                                                                                                                                                                               | power I/O     |
| G1                                      | BST3   | Phase 3 High-Side FET Driver Supply. Connect a 0.1 $\mu$ F ceramic capacitor between BST3 and LX3.                                                                                                                                   | power input   |
| G3, H3                                  | LX3    | Phase 3 Switching Node                                                                                                                                                                                                               | power I/O     |
| G8                                      | BST4   | Phase 4 High-Side FET Driver Supply. Connect a 0.1 $\mu$ F ceramic capacitor between BST4 and LX4.                                                                                                                                   | power input   |
| G6, H6                                  | LX4    | Phase 4 Switching Node                                                                                                                                                                                                               | power I/O     |
| A1, A2, B2                              | PGND1  | Phase 1 Power Ground. Connect to all other power grounds on the PCB.                                                                                                                                                                 | ground        |
| A7, A8, B7                              | PGND2  | Phase 2 Power Ground. Connect to all other power grounds on the PCB.                                                                                                                                                                 | ground        |
| G2, H1, H2                              | PGND3  | Phase 3 Power Ground. Connect to all other power grounds on the PCB.                                                                                                                                                                 | ground        |
| G7, H7, H8                              | PGND4  | Phase 4 Power Ground. Connect to all other power grounds on the PCB.                                                                                                                                                                 | ground        |
| <b>PHASE CONFIGURATION AND FEEDBACK</b> |        |                                                                                                                                                                                                                                      |               |
| C1                                      | SNS1+  | Buck 1 Output Voltage Positive Feedback Input. Connect to the output at the point-of-load.                                                                                                                                           | analog input  |
| C2                                      | SNS1-  | Buck 1 Output Voltage Negative Feedback Input. Connect to ground at the point-of-load.                                                                                                                                               | analog input  |
| C8                                      | SNS2+  | Buck 2 Output Voltage Positive Feedback Input. Connect to the output at the point-of-load. Connect to AGND if not used.                                                                                                              | analog input  |
| C7                                      | SNS2-  | Buck 2 Output Voltage Negative Feedback Input. Connect to ground at the point-of-load. Connect to AGND if not used.                                                                                                                  | analog input  |
| F1                                      | SNS3+  | Buck 3 Output Voltage Positive Feedback Input. Connect to the output at the point-of-load. Connect to AGND if not used.                                                                                                              | analog input  |
| F2                                      | SNS3-  | Buck 3 Output Voltage Negative Feedback Input. Connect to ground at the point-of-load. Connect to AGND if not used.                                                                                                                  | analog input  |
| F8                                      | SNS4+  | Buck 4 Output Voltage Positive Feedback Input. Connect to the output at the point-of-load. Connect to AGND if not used.                                                                                                              | analog input  |
| F7                                      | SNS4-  | Buck 4 Output Voltage Negative Feedback Input. Connect to ground at the point-of-load. Connect to AGND if not used.                                                                                                                  | analog input  |
| F3                                      | PHCFG0 | Tri-State Phase Configuration Selection Input 0. Connect to V <sub>DD</sub> , ground, or leave unconnected to configure the buck phases. See the <a href="#">Phase Configuration</a> section of the data sheet for more information. | digital input |
| F4                                      | PHCFG1 | Tri-State Phase Configuration Selection Input 1. Connect to V <sub>DD</sub> , ground, or leave unconnected to configure the buck phases. See the <a href="#">Phase Configuration</a> section of the data sheet for more information. | digital input |
| <b>GENERAL PURPOSE INPUTS/OUTPUTS</b>   |        |                                                                                                                                                                                                                                      |               |
| C6                                      | GPIO1  | General-Purpose Input/Output. Powered from V <sub>IO</sub> . Mappable to <a href="#">Special Functions</a> .                                                                                                                         | digital I/O   |

## Bump Descriptions (continued)

| PIN                                     | NAME       | FUNCTION                                                                                                                                                                                                                                                                 | TYPE           |
|-----------------------------------------|------------|--------------------------------------------------------------------------------------------------------------------------------------------------------------------------------------------------------------------------------------------------------------------------|----------------|
| D6                                      | GPIO2      | General-Purpose Input/Output. Powered from $V_{IO}$ . Mappable to <a href="#">Special Functions</a> .                                                                                                                                                                    | digital I/O    |
| E6                                      | GPIO3      | General-Purpose Input/Output. Powered from $V_{IO}$ . Mappable to <a href="#">Special Functions</a> .                                                                                                                                                                    | digital I/O    |
| F6                                      | GPIO4      | General-Purpose Input/Output. Powered from $V_{IO}$ . Mappable to <a href="#">Special Functions</a> .                                                                                                                                                                    | digital I/O    |
| D5                                      | GPIO5      | General-Purpose Input/Output. Powered from $V_{IO}$ . Mappable to <a href="#">Special Functions</a> .                                                                                                                                                                    | digital I/O    |
| E5                                      | GPIO6      | General-Purpose Input/Output. Powered from $V_{IO}$ . Mappable to <a href="#">Special Functions</a> .                                                                                                                                                                    | digital I/O    |
| <b>I<sup>2</sup>C SERIAL INTERFACE</b>  |            |                                                                                                                                                                                                                                                                          |                |
| C4                                      | $V_{IO}$   | I <sup>2</sup> C Serial Interface and GPIO Voltage Supply. Registers are held in reset when this pin's voltage is invalid.                                                                                                                                               | power input    |
| D3                                      | SDA        | I <sup>2</sup> C Serial Interface Data                                                                                                                                                                                                                                   | digital I/O    |
| D4                                      | SCL        | I <sup>2</sup> C Serial Interface Clock                                                                                                                                                                                                                                  | digital input  |
| <b>DEDICATED INTERNAL SUPPLIES</b>      |            |                                                                                                                                                                                                                                                                          |                |
| E4                                      | SYS        | System Voltage Input. Power input to the internal $V_L$ and $V_{DD}$ linear regulators. Bypass to AGND with a 2.2 $\mu$ F ceramic capacitor. See <a href="#">Figure 16</a> .                                                                                             | power input    |
| D1                                      | $V_{L13}$  | Phase 1 and 3 Low-Voltage Internal Bias Supply. Provides power to switching FET drivers. Powered from SYS. Bypass $V_{L13}$ to PGND1/PGND3 with a 2.2 $\mu$ F ceramic capacitor. Do not load this pin externally.                                                        | power output   |
| E8                                      | $V_{L24}$  | Phase 2 and 4 Low-Voltage Internal Bias Supply. Provides power to switching FET drivers. Powered from SYS. Bypass $V_{L24}$ to PGND2/PGND4 with a 2.2 $\mu$ F ceramic capacitor. Do not load this pin externally.                                                        | power output   |
| D2                                      | $V_{DD}$   | Low-Voltage Internal Supply. Powered from SYS. Bypass to AGND with a 1 $\mu$ F ceramic capacitor. Do not load this pin externally.                                                                                                                                       | power output   |
| E1, D8                                  | AGND       | Quiet Ground. Connect to all other grounds on the PCB. See <a href="#">Figure 15</a> .                                                                                                                                                                                   | ground         |
| E2                                      | DGND       | Digital Ground. Connect to all other grounds on the PCB.                                                                                                                                                                                                                 | ground         |
| <b>TOP-LEVEL CONTROL AND MONITORING</b> |            |                                                                                                                                                                                                                                                                          |                |
| F5                                      | ENSEQ      | Active-High Sequencer Enable Input. Compatible with the SYS voltage domain. Connect to DGND if automatic power sequencing is not required.                                                                                                                               | digital input  |
| C3                                      | nRSTIO     | Active-Low, Open-Drain, Reset Input/Output. Use for fault monitoring ( <a href="#">Figure 10</a> ). Connect to other MAX77511/MAX77711s on the PCB for a synchronized fault response. This pin requires a pullup resistor to $V_{DD}$ or some other always-present rail. | digital I/O    |
| E3                                      | AMUX       | Analog Multiplexer Output. Connect to system ADC to perform conversions on output load monitors. Leave this pin unconnected if not used.                                                                                                                                 | analog output  |
| C5                                      | nIRQ       | Active-Low, Open-Drain Interrupt Output. This pin requires a pullup resistor.                                                                                                                                                                                            | digital output |
| <b>LINEAR REGULATOR (LDO)</b>           |            |                                                                                                                                                                                                                                                                          |                |
| E7                                      | LDO/AGND   | <b>MAX77711:</b> Linear Regulator Output. Bypass to ground on the PCB with a 4.7 $\mu$ F ceramic capacitor. Connect to ground on the PCB if not used.<br><b>MAX77511:</b> Unused pin. Connect to ground on the PCB.                                                      | power output   |
| D7                                      | INLDO/AGND | <b>MAX77711:</b> Linear Regulator Input. Bypass to ground on the PCB with a 10 $\mu$ F ceramic capacitor. Connect to ground on the PCB if unused.<br><b>MAX77511:</b> Unused pin. Connect to ground on the PCB.                                                          | power input    |

## Detailed Description—Top-Level

The MAX77511/MAX77711 is a high-efficiency, power-management integrated circuit (IC) that combines a quad-phase configurable buck regulator, six GPIOs, and a flexible power sequencer. The MAX77711 includes a 300mA, PMOS, low-dropout linear regulator (LDO).

### Flexible Power Sequencer (FPS)

The IC integrates a FPS that controls the power-up/down timing of the system. The functionality of the FPS ([Figure 1](#)) is described as follows:

- The power-up/down sequence consists of 12 slots that count sequentially in time.
  - Slots count upwards from 1 to 12 in the power-up sequence ([Figure 2](#), left).
  - Slots count downwards from 12 to 1 in the power-down sequence ([Figure 2](#), right).
- Regulators enable in their assigned slot in the power-up sequence. Regulators disable in their assigned slot in the power-down sequence.
- GPIOs assert logic-high in their assigned slot in the power-up sequence. GPIOs assert logic-low in their assigned slot in the power-down sequence. Only GPIO5 and GPIO6 can be assigned to the sequencer.
- The slot pitch ( $t_{\text{SLOT}}$ , time between slots) is programmable between 0.625ms and 5ms in binary-weighted steps with the FPS\_SLOT\_T[1:0] bitfield. The default value of these bits can be set at the factory.
- Any IC resource (bucks, LDO, GPIOs) can be assigned to power-up/down in any slot. Multiple resources may assign to the same slot.
- Use the buck enable bitfield (BENx[3:0]) to assign the bucks to one of the FPS slots. The default value of these bits can be set at the factory.
- Use the LDO enable bitfield (LDOEN[3:0]) to assign the LDO to one of the FPS slots. The default value of these bits can be set at the factory.
- Use the GPIO function control bitfield (FUNCx[2:0]) to program GPIO5 and GPIO6 to be controlled by the FPS. Use the corresponding GPIOSEQx[3:0] bitfield to control slot assignment. The default value of these bits can be set at the factory. A GPIO programmed to be an FPS digital output (FPSDO) can not be assigned to any other GPIO function.

Assert the ENSEQ pin logic-high to activate the IC from shutdown and begin the power-up sequence. Maintain a logic-high on ENSEQ to keep the IC in the on through sequencer state. Bring ENSEQ logic-low to begin the power-down sequence. The power-down sequence also starts if a SYS undervoltage lockout (UVLO) is detected.

The immediate shutdown sequence ([Figure 3](#)) begins if any of the following happen:

1. Over-temperature lockout (OTLO) is detected (FLT = 1 due to OTLO).
2. Short-circuit protection (SCP) fault is detected in any buck regulator (FLT = 1 due to SCP).
3. nRSTIO pin is pulled low externally.

The power-up sequence is prevented if the IC is in UVLO, OTLO, FLT, or the nRSTIO pin is low.

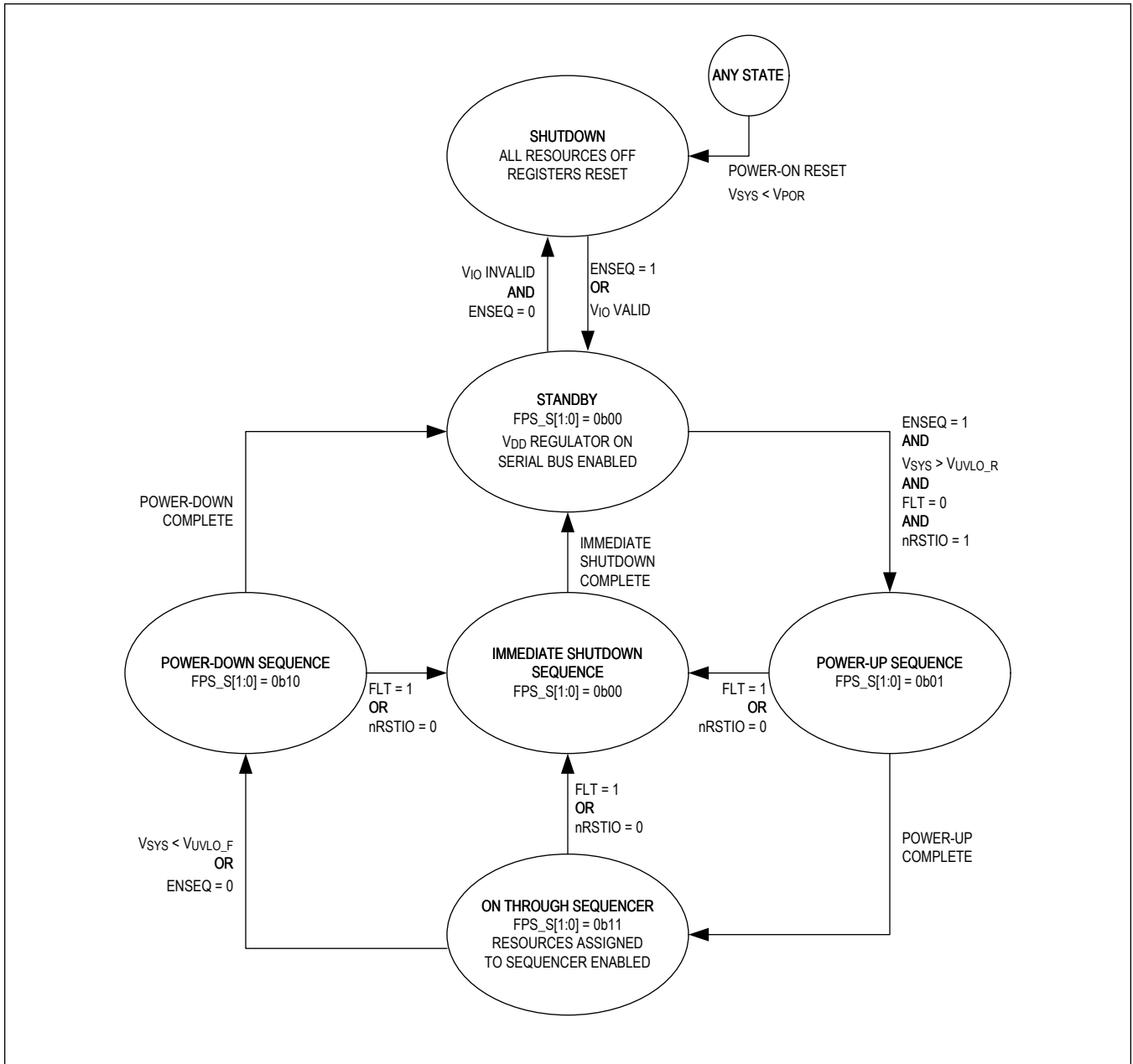


Figure 1. Flexible Power Sequencer State Diagram

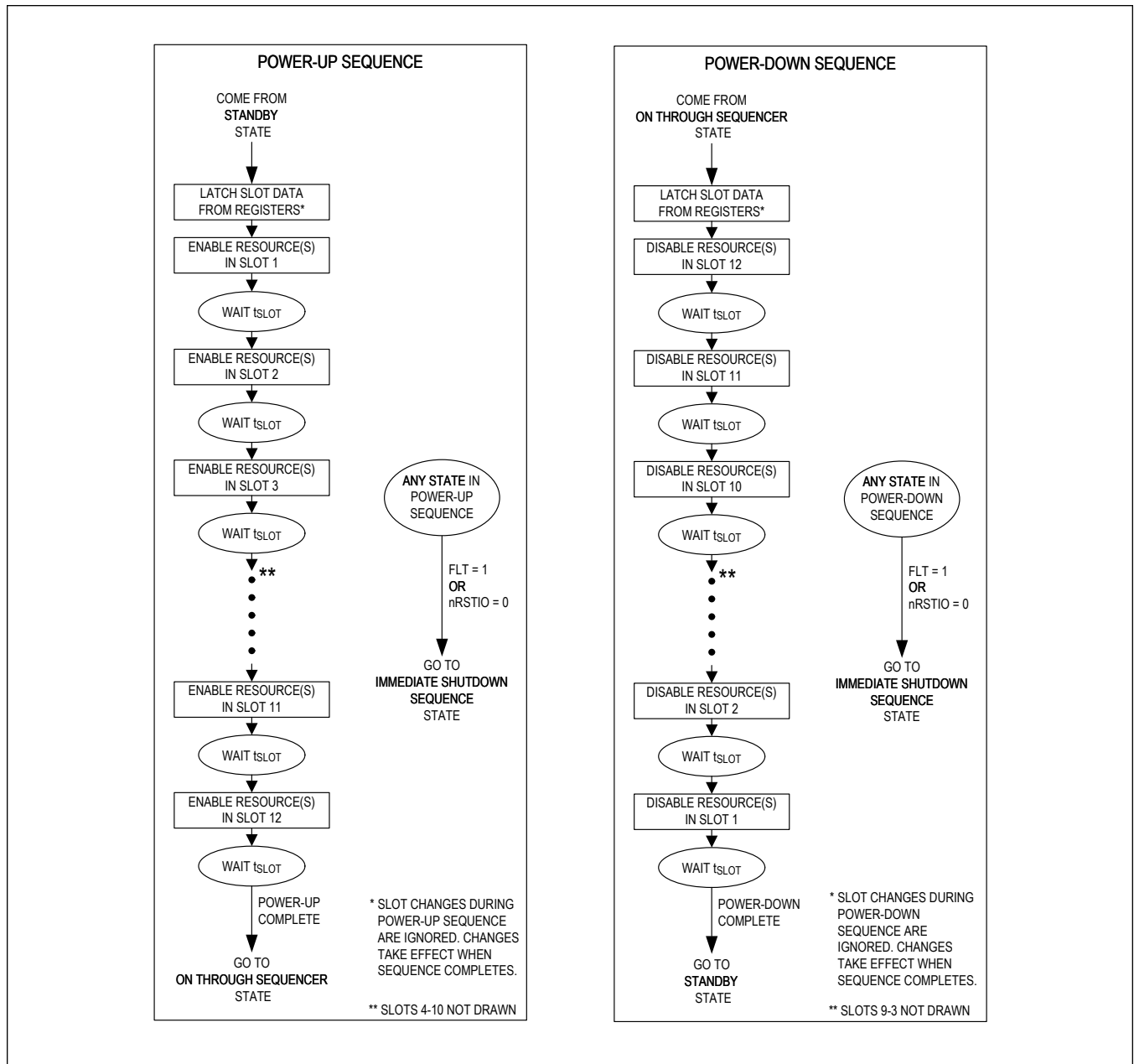


Figure 2. Power-Up/Down Sequence State Actions

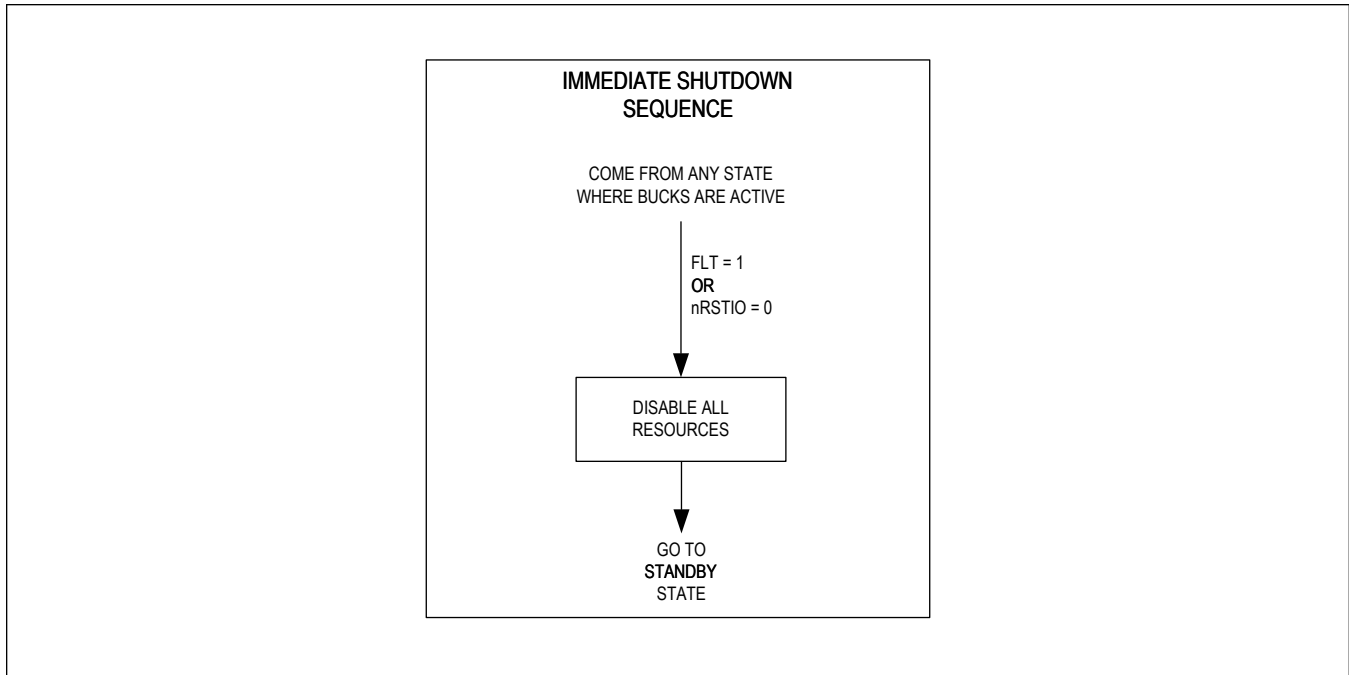


Figure 3. Immediate Shutdown Sequence State Actions

### General Purpose Input/Output (GPIO)

Six GPIOs provide system I/O expansion or hardware control options for the buck regulators. See the [GPIO Buck Control](#) section for details on how these pins are used to control the buck regulators. See the [Register Map](#) for full details.

GPIOx direction is controlled by the corresponding DIRx[1:0] bitfield. GPIO function is controlled by FUNCx[2:0]. The default values of these bitfields can be factory-programmed. Registers can be reprogrammed any time while I<sup>2</sup>C is active. The GPIO voltage domain (V<sub>IO</sub>) must be valid for GPIOs to operate.

Interrupts are available to signal a change in any GPIO's state. Interrupts are configurable to trigger on rising edge, falling edge, or any edge.

### Output Mode

Program DIRx[1:0] to 0b00 to configure the GPIO as a general-purpose output (GPO). Use the corresponding DATAx bit to assert the pin logic high or low. The GPIOs function bitfield (FUNCx[2:0]) is a *don't care* while DIRx[1:0] = 0b00.

The GPO can be used in push-pull mode (DRVx = 1) or open-drain mode (DRVx = 0).

- Use push-pull output mode for applications that need fast edges and low power consumption.
- Open-drain mode requires a pullup resistor. Set the corresponding PUX bit to enable an on-chip pullup resistor between that GPIO and V<sub>IO</sub>. An on-chip pulldown resistor is also available by setting the corresponding PDX bit. Each resistor is typically 100kΩ.
  - Use open-drain mode to communicate between different voltage domains. For example, to send a signal from a GPO on a 1.8V logic domain (V<sub>IO</sub> = 1.8V) to a device on a 1.2V logic domain, disable the on-chip pullup resistor (PU = 0) and connect an external pullup resistor to 1.2V on the PCB.
  - The open-drain mode can be used to connect several open-drain (or open-collector) devices together on the same bus to create wired logic (wired AND logic is positive-true; wired OR logic is negative-true).

### Special Output Mode

Program DIRx[1:0] to 0b01 to configure the GPIO as a special purpose output. Program the corresponding FUNCx[2:0] bits to map a function to the output. There are two possible functions:

- The GPIO can output the buck power-OK status value (BPOKx). See the [GPIO Buck Control](#) section.
- The GPIO can be assigned to the [Flexible Power Sequencer \(FPS\)](#). GPIO5 and GPIO6 only.

### Input Mode

Program DIRx[1:0] to 0b11 to configure the GPIO as an input. Program the corresponding FUNCx[2:0] to map the logic input to a function. See the [GPIO Buck Control](#) and [Register Map](#) sections for full details.

The corresponding DBNC\_SELx[1:0] bitfield selects the input debounce time ( $t_{DB-GPI}$ ).

- Enable the debounce timer if the GPI is connected to a device that can bounce or chatter (like a mechanical switch).
- If the GPI is connected to a circuit with clean logic transitions and no risk of bounce then, disable the debounce timer to eliminate logic delays.
- Use the on-chip pullup or pulldown resistors to provide the GPI with a defined input to prevent logic chatter. Set the corresponding PUX bit to enable the pullup. Set PDx to enable the pulldown. Each resistor is typically 100k $\Omega$ .
  - If both corresponding PUX and PDx bits are set concurrently, then internal logic gives the pulldown resistor priority. The pullup resistor is not enabled.

### GPIO Buck Control

Assign the GPIOs special alternate functions to control the buck regulators. Use the FUNCx[2:0] bitfield to program the corresponding GPIO to control buck enable, DVS, power-OK, or FPWM. Program which buck regulator to control using the corresponding BSELx[1:0] bitfield. See [Table 1](#) for details. The special functions are exclusive (e.g., the same GPIO cannot control enable and DVS at the same time). FUNCx[2:0] can be programmed at the factory (see [GPIO Factory Options](#)). See the [Register Map](#) for details.

**Table 1. GPIO Special Functions**

| FUNCx[2:0] | CONTROL FUNCTION  | TYPE   | LOGIC LEVEL    | SELECTED BUCK BEHAVIOR                                |
|------------|-------------------|--------|----------------|-------------------------------------------------------|
| 0b001      | Enable            | INPUT  | 0              | Follows register control (BENx[3:0])                  |
|            |                   |        | 1              | Output enabled                                        |
| 0b010      | DVS               | INPUT  | 0              | $V_{OUTx}$ set by VOUTREGx[7:0]                       |
|            |                   |        | 1              | $V_{OUTx}$ set by VOUTREGDVSx7:0]                     |
| 0b011      | Forced-PWM (FPWM) | INPUT  | 0              | Operating mode set by MODEx[1:0] when buck is enabled |
|            |                   |        | 1              | Operating in FPWM when buck is enabled                |
| 0b101      | Power-OK (POK)    | OUTPUT | 0              | Buck $V_{OUTx}$ is $< V_{POK}$ or disabled            |
|            |                   |        | 1<br>(or Hi-Z) | $V_{OUTx}$ is $> V_{POK}$                             |

For example, set FUNC1[2:0] to 0b001 to program GPIO1 as an enable pin. Set BSEL1[1:0] to 0b10 to program this enable pin to control buck 3. Multiple GPIOs controlling the same function for the same buck logic OR together. The BSELx[1:0] bitfield is a *don't care* if the corresponding GPIO is not assigned a special buck control function.

Bring GPIO above  $V_{GPI-HI}$  to assert a logic-high. Lower GPIO below  $V_{GPI-LO}$  to assert a logic-low. The logic thresholds are derived from the  $V_{IO}$  pin.  $V_{IO}$  must be valid for the GPIOs to work as buck special functions or GPIOs.

### GPIO LDO Control

When using the MAX77711, use any GPIO to control LDO enable by assigning the corresponding FUNCx[2:0] bitfield to 0b100. See the [LDO Hardware Enable](#) section for more information.

### GPIO Factory Options

Each GPIOs corresponding FUNCx[2:0] bitfield is factory-programmable. The GPIOs default pullup, pulldown, interrupt, debounce, direction, and drive control registers depend on the factory-set FUNCx[2:0] code. In other words, the default



bit combination in FUNCx[2:0] determines the default value of the other GPIO control fields. See [Table 2](#), [Table 3](#) and the [GPIO Buck Control](#) section for more information.

GPIO control registers are reconfigurable any time I<sup>2</sup>C is active. See the [Register Map](#) for full details. Contact the factory to request the default GPIO configurations corresponding to each MAX77511/MAX77711 part number.

**Table 2. GPIO Default Factory Options (Simple Decode)**

| FUNCx[2:0]         | DEFAULT FUNCTION OPTIONS (SEE <a href="#">Table 3</a> ALSO) |
|--------------------|-------------------------------------------------------------|
| 0x0 - Output Data  | Push-pull output driving DATAx                              |
| 0x1 - Buck Enable  | Input with pulldown, no interrupt, no debounce              |
| 0x2 - Buck DVS     | Input with pulldown, no interrupt, no debounce              |
| 0x3 - Buck FPWM    | Input with pulldown, no interrupt, no debounce              |
| 0x4 - LDO Enable*  | Input with pulldown, no interrupt, no debounce              |
| 0x5 - Buck POK     | Open-drain output with no pullup driving selected buck POK  |
| 0x6 - FPS Output** | Push-pull output driving selected FPS slot                  |
| 0x7 - FPS Output** | Open-drain output with no pullup driving selected FPS slot  |

\*MAX77711 only

\*\*GPIO5 and GPIO6 only. Codes 0x6 and 0x7 set the same function (FPS Digital Output) but have different default drive options.

**Table 3. GPIO Default Factory Options (Full Decode)**

| FUNCx[2:0]         | PUx | PDx | IRQ_SELx[1:0] | DBNC_SELx[1:0] | DIRx[1:0] | DRVx |
|--------------------|-----|-----|---------------|----------------|-----------|------|
| 0x0 - Output Data  | 0   | 0   | 0b00          | 0b00           | 0b00      | 1    |
| 0x1 - Buck Enable  | 0   | 1   | 0b00          | 0b00           | 0b10      | 0    |
| 0x2 - Buck DVS     | 0   | 1   | 0b00          | 0b00           | 0b10      | 0    |
| 0x3 - Buck FPWM    | 0   | 1   | 0b00          | 0b00           | 0b10      | 0    |
| 0x4 - LDO Enable*  | 0   | 1   | 0b00          | 0b00           | 0b10      | 0    |
| 0x5 - Buck POK     | 0   | 0   | 0b00          | 0b00           | 0b01      | 0    |
| 0x6 - FPS Output** | 0   | 0   | 0b00          | 0b00           | 0b01      | 1    |
| 0x7 - FPS Output** | 0   | 0   | 0b00          | 0b00           | 0b01      | 0    |

\*MAX77711 only

\*\*GPIO5 and GPIO6 only. Codes 0x6 and 0x7 set the same function (FPS Digital Output) but have different default drive options.

## Interrupts (nIRQ)

nIRQ is an active-low, open-drain output that is typically routed to the host processor's interrupt input to signal an important change in the ICs status. See the [Register Map](#) for a full list of available status and interrupt bits.

An external pullup resistor is required for this node. nIRQ is the logical NOR of all unmasked interrupt bits in the ICs register map.

All interrupts are masked by default. Masked interrupt bits do not cause the nIRQ pin to change. Unmask the interrupt bits to allow nIRQ to assert.

### Dedicated Internal Supplies

$V_{L13}$ ,  $V_{L24}$ , and  $V_{DD}$  are 1.8V linear regulators powered from SYS.  $V_{L13}$  and  $V_{L24}$  provide power for the switching FET gate drivers.  $V_{DD}$  provides power for internal logic and control.

Bypass  $V_{L13}$  and  $V_{L24}$  to PGNDx with a minimum 2.2 $\mu$ F ceramic capacitor each. Bypass  $V_{DD}$  to AGND with a minimum 1 $\mu$ F ceramic capacitor. Position the bypass capacitors as close to the IC as possible. See the [PCB Layout Guidelines](#) for more information. Do not load these regulators externally.

$V_{DD}$  automatically activates when  $V_{IO}$  is valid or ENSEQ is logic high.  $V_{L13}/V_{L24}$  automatically activate when any buck regulator is enabled or if the FVLEN bit is set. Set the FVLEN bit to force enable the  $V_{L13}/V_{L24}$  regulators. The buck startup ramp delay time ( $t_{SUDLY}$ ) shortens when  $V_{L13}/V_{L24}$  are enabled before the bucks enable. See the [Register Map](#) for details.

### Thermal Alarms and OTLO

The IC has thermal alarms to monitor if the junction temperature rises above +120°C and +140°C. See [Figure 4](#). The IC enters over-temperature lockout (OTLO) if the junction temperature exceeds  $T_{OTLO}$  (approximately +165°C typ). OTLO causes all resources to turn off immediately and latches the IC into a fault state (FLT = 1). See the [Short-Circuit and Thermal Protection](#) section for more information.

Thermal monitoring is active whenever any of the following conditions are true:

- Any buck enables.
- The force thermal protection enable bit sets (FTPEN = 1). See the [Register Map](#).
- Thermal protection enables (for any reason) and detects  $T_J > 120^\circ\text{C}$  ( $TJ\_S[1:0]$  reads > 0b00). Protection automatically remains active until  $T_J < 105^\circ\text{C}$ .

The  $TJ\_S[1:0]$  bitfield continuously indicates the junction temperature status. A maskable interrupt ( $TJ\_I$ ) is available to signal a change in  $TJ\_S[1:0]$ . See the [Register Map](#) for details.

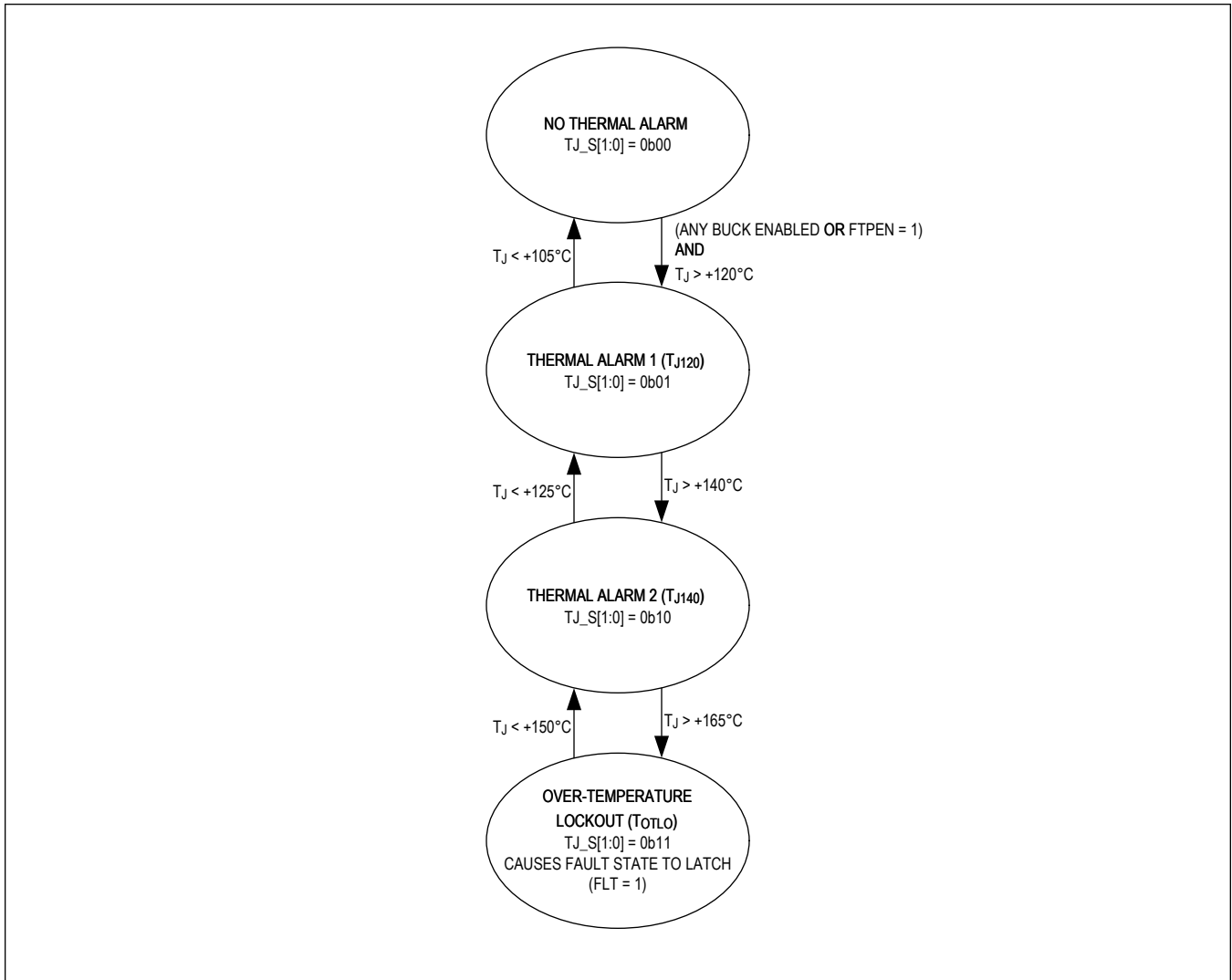


Figure 4. Thermal Alarms and OTLO State Diagram

### Register Reset Condition

The ICs configuration registers reset to default values when  $V_{IO}$  becomes invalid or SYS falls below the POR threshold. Contact the factory to request a version of the IC that does not reset registers when  $V_{IO}$  becomes invalid.

**Factory Options**

The IC is factory-configurable with a variety of one-time programmable (OTP) options. The [Register Map](#) denotes factory-programmable options by showing *OTP* in the *Reset* value field. See [Table 4](#) and [Table 5](#) for selector guides.

**Table 4. MAX77711 Factory-Programmed Defaults (OTP Options)**

|                                           | MAX77711AEWB                   | MAX77711BEWB                   | MAX77711CEWB                   | MAX77711DEWB                   |
|-------------------------------------------|--------------------------------|--------------------------------|--------------------------------|--------------------------------|
| Option                                    | 711A                           | 711B                           | 711C                           | 711D                           |
| Chip ID<br>CID[3:0]                       | 0x0                            | 0x2                            | 0x4                            | 0x5                            |
| Register Reset                            | V <sub>IO</sub> or SYS Invalid | V <sub>IO</sub> or SYS Invalid | V <sub>IO</sub> or SYS Invalid | V <sub>IO</sub> or SYS Invalid |
| Sequencer Slot Pitch<br>FPS_SLOT_T[1:0]   | 1.25ms<br>0b01                 | 1.25ms<br>0b01                 | 1.25ms<br>0b01                 | 0.625ms<br>0b00                |
| <b>BUCK OPTIONS</b>                       |                                |                                |                                |                                |
| FVLEN                                     | 0 (auto)                       | 0 (auto)                       | 0 (auto)                       | 0 (auto)                       |
| t <sub>SFTSHRT</sub><br>SCPWARN_TIME[1:0] | 50ms<br>0b10                   | 25ms<br>0b01                   | 50ms<br>0b10                   | 25ms<br>0b01                   |
| RNGLOCK                                   | 0 (unlocked)                   | 1 (locked)                     | 0 (unlocked)                   | 0 (unlocked)                   |
| RNG1                                      | 0                              | 0                              | 0                              | 0                              |
| RNG2                                      | 0                              | 0                              | 0                              | 0                              |
| RNG3                                      | 1                              | 0                              | 1                              | 0                              |
| RNG4                                      | 1                              | 0                              | 1                              | 0                              |
| V <sub>OUT1</sub><br>VOUTREG1[7:0]        | 0.7V<br>0x5A                   | 0.93V<br>0x88                  | 1.1V<br>0xAA                   | 0.25V<br>0x00                  |
| V <sub>OUT2</sub><br>VOUTREG2[7:0]        | 1.2V<br>0xBE                   | 0.93V<br>0x88                  | 1.2V<br>0xBE                   | 0.25V<br>0x00                  |
| V <sub>OUT3</sub><br>VOUTREG3[7:0]        | 1.8V<br>0x28                   | 0.93V<br>0x88                  | 1.8V<br>0x28                   | 0.25V<br>0x00                  |
| V <sub>OUT4</sub><br>VOUTREG4[7:0]        | 3.3V<br>0x73                   | 1.23V<br>0xC4                  | 3.3V<br>0x73                   | 0.25V<br>0x00                  |
| I <sub>PEAK-HS1</sub><br>ILIM1[1:0]       | 4.5A<br>0b11                   | 4.5A<br>0b11                   | 4.5A<br>0b11                   | 1.5A<br>0b00                   |
| I <sub>PEAK-HS2</sub><br>ILIM2[1:0]       | 4.5A<br>0b11                   | 4.5A<br>0b11                   | 4.5A<br>0b11                   | 1.5A<br>0b00                   |
| I <sub>PEAK-HS3</sub><br>ILIM3[1:0]       | 4.5A<br>0b11                   | 4.5A<br>0b11                   | 4.5A<br>0b11                   | 1.5A<br>0b00                   |
| I <sub>PEAK-HS4</sub><br>ILIM4[1:0]       | 4.5A<br>0b11                   | 4.5A<br>0b11                   | 4.5A<br>0b11                   | 1.5A<br>0b00                   |
| Buck 1 Enable/FPS Slot<br>BEN1[3:0]       | Slot 1<br>0x2                  | Slot 1<br>0x2                  | Slot 3<br>0x4                  | Force Disabled<br>0x0          |
| Buck 2 Enable/FPS Slot<br>BEN2[3:0]       | Slot 2<br>0x3                  | Slot 1<br>0x2                  | Slot 3<br>0x4                  | Force Disabled<br>0x0          |
| Buck 3 Enable/FPS Slot<br>BEN3[3:0]       | Slot 3<br>0x4                  | Slot 2<br>0x3                  | Slot 2<br>0x3                  | Force Disabled<br>0x0          |
| Buck 4 Enable/FPS Slot<br>BEN4[3:0]       | Slot 4<br>0x5                  | Slot 4<br>0x5                  | Slot 4<br>0x5                  | Force Disabled<br>0x0          |
| Buck 1 Soft Start/Stop<br>SFTUPDN[2:0]    | ±1.25mV/μs<br>0x2              | ±1.25mV/μs<br>0x2              | ±1.25mV/μs<br>0x2              | 0.15mV/μs<br>0x0               |

**Table 4. MAX77711 Factory-Programmed Defaults (OTP Options) (continued)**

|                                                | MAX77711AEWB              | MAX77711BEWB            | MAX77711CEWB              | MAX77711DEWB                 |
|------------------------------------------------|---------------------------|-------------------------|---------------------------|------------------------------|
| Buck 2 Soft Start/Stop<br>SFTUPDN2[2:0]        | ±1.25mV/μs<br>0x2         | ±1.25mV/μs<br>0x2       | ±1.25mV/μs<br>0x2         | 0.15mV/μs<br>0x0             |
| Buck 3 Soft Start/Stop<br>SFTUPDN3[2:0]        | ±1.25mV/μs<br>0x2         | ±1.25mV/μs<br>0x2       | ±1.25mV/μs<br>0x2         | 0.15mV/μs<br>0x0             |
| Buck 4 Soft Start/Stop<br>SFTUPDN4[2:0]        | ±1.25mV/μs<br>0x2         | ±1.25mV/μs<br>0x2       | ±1.25mV/μs<br>0x2         | 0.15mV/μs<br>0x0             |
| <u>Soft-Start</u><br><u>!PEAK-HSx Override</u> | Off                       | On                      | On                        | On                           |
| <u>Spread Spectrum</u><br><u>Profile</u>       | Pseudo-Random             | Pseudo-Random           | Triangular                | Triangular                   |
| <u>Assisted Active</u><br><u>Discharge</u>     | Off                       | Off                     | On                        | Off                          |
| <u>Transient Performance</u><br><u>Option</u>  | Off                       | Off                     | Off                       | Off                          |
| <b>LDO OPTIONS</b>                             |                           |                         |                           |                              |
| LDO Enable/FPS Slot<br>LDOEN[3:0]              | Slot 5<br>0x6             | Disabled<br>0x0         | Slot 5<br>0x6             | Disabled<br>0x0              |
| V <sub>LDO</sub><br>LDO_VREG[5:0]              | 1.8V<br>0x38              | 0.4V<br>0x00            | 0.6V<br>0x08              | 0V<br>0x0                    |
| <b>GPIO OPTIONS (SEE Table 2 AND Table 3)</b>  |                           |                         |                           |                              |
| GPIOLOCK                                       | 0 (unlocked)              | 0 (unlocked)            | 0 (unlocked)              | 0 (unlocked)                 |
| GPIO1 Function<br>FUNC1[2:0]; BSEL1[1:0]       | Buck 1 Enable<br>0x1; 0x0 | Buck 1 FPWM<br>0x3; 0x0 | Buck 1 Enable<br>0x1; 0x0 | Buck 1 DVS Input<br>0x0; 0x2 |
| GPIO2 Function<br>FUNC2[2:0]; BSEL2[1:0]       | Buck 2 Enable<br>0x1; 0x1 | Buck 2 FPWM<br>0x3; 0x1 | Buck 3 Enable<br>0x1; 0x2 | Buck 1 DVS Input<br>0x0; 0x2 |
| GPIO3 Function<br>FUNC3[2:0]; BSEL3[1:0]       | Buck 3 Enable<br>0x1; 0x2 | Buck 3 FPWM<br>0x3; 0x2 | Buck 4 Enable<br>0x1; 0x3 | Buck 1 DVS Input<br>0x0; 0x2 |
| GPIO4 Function<br>FUNC4[2:0]; BSEL4[1:0]       | Buck 4 Enable<br>0x1; 0x3 | Buck 4 FPWM<br>0x3; 0x3 | Buck 1 FPWM<br>0x3; 0x0   | Buck 1 DVS Input<br>0x0; 0x2 |
| GPIO5 Function<br>FUNC5[2:0]; BSEL5[1:0]       | LDO Enable<br>0x4; 0x0    | FPS Output<br>0x6; 0x0  | Buck 3 FPWM<br>0x3; 0x2   | Buck 1 DVS Input<br>0x0; 0x2 |
| GPIO6 Function<br>FUNC6[2:0]; BSEL6[1:0]       | FPS Output<br>0x7; 0x0    | FPS Output<br>0x6; 0x0  | Buck 4 FPWM<br>0x3; 0x3   | Buck 1 DVS Input<br>0x0; 0x2 |
| GPIO5 FPS Slot<br>GPIOSEQ5[3:0]                | Slot 6<br>0x5             | Slot 4<br>0x3           | Slot 1<br>0x0             | Slot 1<br>0x0                |
| GPIO6 FPS Slot<br>GPIOSEQ6[3:0]                | Slot 12<br>0xF            | Slot 6<br>0x5           | Slot 1<br>0x0             | Slot 1<br>0x0                |

**Table 5. MAX77511 Factory-Programmed Defaults (OTP Options)**

|                                         | MAX77511AEWB                   | MAX77511LEWB                   | MAX77511MEWB                   | MAX77511REWB                   |
|-----------------------------------------|--------------------------------|--------------------------------|--------------------------------|--------------------------------|
| Option                                  | 511A                           | 511L                           | 511M                           | 511R                           |
| Chip ID<br>CID[3:0]                     | 0x1                            | 0x9                            | 0x7                            | 0x8                            |
| Register Reset                          | V <sub>IO</sub> or SYS Invalid | V <sub>IO</sub> or SYS Invalid | V <sub>IO</sub> or SYS Invalid | V <sub>IO</sub> or SYS Invalid |
| Sequencer Slot Pitch<br>FPS_SLOT_T[1:0] | 5ms<br>0b11                    | 1.25ms<br>0b01                 | 5ms<br>0b11                    | 1.25ms<br>0b01                 |
| <b>BUCK OPTIONS</b>                     |                                |                                |                                |                                |

**Table 5. MAX77511 Factory-Programmed Defaults (OTP Options) (continued)**

|                                                           | MAX77511AEWB       | MAX77511LEWB       | MAX77511MEWB       | MAX77511REWB       |
|-----------------------------------------------------------|--------------------|--------------------|--------------------|--------------------|
| FVLEN                                                     | 0 (auto)           | 0 (auto)           | 0 (auto)           | 0 (auto)           |
| t <sub>SFTSHRT</sub><br>SCPWARN_TIME[1:0]                 | 100ms<br>0b11      | 100ms<br>0b11      | 100ms<br>0b11      | 100ms<br>0b11      |
| RNGLOCK                                                   | 0 (unlocked)       | 0 (unlocked)       | 0 (unlocked)       | 0 (unlocked)       |
| RNG1                                                      | 1                  | 0                  | 1                  | 0                  |
| RNG2                                                      | 1                  | 0                  | 1                  | 0                  |
| RNG3                                                      | 1                  | 1                  | 1                  | 0                  |
| RNG4                                                      | 1                  | 0                  | 1                  | 1                  |
| V <sub>OUT1</sub><br>VOUTREG1[7:0]                        | 3.3V<br>0x73       | 1.0V<br>0x96       | 3.3V<br>0x73       | 1.2V<br>0xBE       |
| V <sub>OUT2</sub><br>VOUTREG2[7:0]                        | 1.8V<br>0x28       | 1.0V<br>0x96       | 3.3V<br>0x73       | 1.2V<br>0xBE       |
| V <sub>OUT3</sub><br>VOUTREG3[7:0]                        | 5.0V<br>0xC8       | 3.3V<br>0x73       | 5.0V<br>0xC8       | 1.2V<br>0xBE       |
| V <sub>OUT4</sub><br>VOUTREG4[7:0]                        | 2.5V<br>0x4B       | 0.95V<br>0x8C      | 5.0V<br>0xC8       | 1.8V<br>0x28       |
| I <sub>PEAK-HS1</sub><br>ILIM1[1:0]                       | 4.5A<br>0b11       | 4.5A<br>0b11       | 4.5A<br>0b11       | 4.5A<br>0b11       |
| I <sub>PEAK-HS2</sub><br>ILIM2[1:0]                       | 4.5A<br>0b11       | 4.5A<br>0b11       | 4.5A<br>0b11       | 4.5A<br>0b11       |
| I <sub>PEAK-HS3</sub><br>ILIM3[1:0]                       | 4.5A<br>0b11       | 4.5A<br>0b11       | 4.5A<br>0b11       | 4.5A<br>0b11       |
| I <sub>PEAK-HS4</sub><br>ILIM4[1:0]                       | 4.5A<br>0b11       | 4.5A<br>0b11       | 4.5A<br>0b11       | 4.5A<br>0b11       |
| Buck 1 Enable/FPS Slot<br>BEN1[3:0]                       | Slot 3<br>0x4      | Slot 4<br>0x5      | Slot 3<br>0x4      | Disabled<br>0x0    |
| Buck 2 Enable/FPS Slot<br>BEN2[3:0]                       | Disabled<br>0x0    | Slot 4<br>0x5      | Slot 1<br>0x2      | Disabled<br>0x0    |
| Buck 3 Enable/FPS Slot<br>BEN3[3:0]                       | Disabled<br>0x0    | Slot 2<br>0x3      | Disabled<br>0x0    | Disabled<br>0x0    |
| Buck 4 Enable/FPS Slot<br>BEN4[3:0]                       | Disabled<br>0x0    | Slot 3<br>0x4      | Slot 3<br>0x4      | Disabled<br>0x0    |
| Buck 1 Soft Start/Stop<br>SFTUPDN[2:0]                    | ±0.625mV/μs<br>0x1 | ±0.625mV/μs<br>0x1 | ±0.625mV/μs<br>0x1 | ±0.625mV/μs<br>0x1 |
| Buck 2 Soft Start/Stop<br>SFTUPDN2[2:0]                   | ±0.625mV/μs<br>0x1 | ±0.625mV/μs<br>0x1 | ±0.625mV/μs<br>0x1 | ±0.625mV/μs<br>0x1 |
| Buck 3 Soft Start/Stop<br>SFTUPDN3[2:0]                   | ±0.625mV/μs<br>0x1 | ±2.5mV/μs<br>0x3   | ±0.625mV/μs<br>0x1 | ±0.625mV/μs<br>0x1 |
| Buck 4 Soft Start/Stop<br>SFTUPDN4[2:0]                   | ±0.625mV/μs<br>0x1 | ±0.625mV/μs<br>0x1 | ±0.625mV/μs<br>0x1 | ±0.625mV/μs<br>0x1 |
| <u>Soft-Start</u><br><u>I<sub>PEAK-HSx</sub> Override</u> | On                 | On                 | On                 | On                 |
| <u>Spread Spectrum</u><br><u>Profile</u>                  | Triangular         | Triangular         | Triangular         | Triangular         |
| <u>Assisted Active</u><br><u>Discharge</u>                | Off                | Off                | Off                | Off                |

**Table 5. MAX77511 Factory-Programmed Defaults (OTP Options) (continued)**

|                                               | MAX77511AEWB              | MAX77511LEWB           | MAX77511MEWB              | MAX77511REWB              |
|-----------------------------------------------|---------------------------|------------------------|---------------------------|---------------------------|
| <i>Transient Performance Option</i>           | On                        | On                     | On                        | On                        |
| <b>LDO OPTIONS</b>                            |                           |                        |                           |                           |
| LDO Enable/FPS Slot<br>LDOEN[3:0]             | Disabled<br>0x0           | Disabled<br>0x0        | Disabled<br>0x0           | Disabled<br>0x0           |
| $V_{LDO}$<br>LDO_VREG[5:0]                    | Do not use                | Do not use             | Do not use                | Do not use                |
| <b>GPIO OPTIONS (SEE Table 2 AND Table 3)</b> |                           |                        |                           |                           |
| GPIOLOCK                                      | 0 (unlocked)              | 0 (unlocked)           | 0 (unlocked)              | 0 (unlocked)              |
| GPIO1 Function<br>FUNC1[2:0]; BSEL1[1:0]      | Buck 1 Enable<br>0x1; 0x0 | Buck 4 POK<br>0x5; 0x3 | GPO<br>0x0; 0x0           | Buck 1 Enable<br>0x1; 0x0 |
| GPIO2 Function<br>FUNC2[2:0]; BSEL2[1:0]      | Buck 3 Enable<br>0x1; 0x2 | Buck 1 POK<br>0x5; 0x0 | Buck 3 Enable<br>0x1; 0x2 | GPO<br>0x0; 0x0           |
| GPIO3 Function<br>FUNC3[2:0]; BSEL3[1:0]      | Buck 3 Enable<br>0x1; 0x2 | Buck 3 POK<br>0x5; 0x2 | Buck 3 Enable<br>0x1; 0x2 | Buck 4 Enable<br>0x1; 0x3 |
| GPIO4 Function<br>FUNC4[2:0]; BSEL4[1:0]      | Buck 1 POK<br>0x5; 0x0    | GPO<br>0x0; 0x3        | Buck 1 POK<br>0x5; 0x0    | GPO<br>0x0; 0x0           |
| GPIO5 Function<br>FUNC5[2:0]; BSEL5[1:0]      | Buck 3 POK<br>0x5; 0x2    | GPO<br>0x0; 0x1        | Buck 3 POK<br>0x5; 0x2    | Buck 4 POK<br>0x5; 0x3    |
| GPIO6 Function<br>FUNC6[2:0]; BSEL6[1:0]      | Buck 2 Enable<br>0x1; 0x1 | GPO<br>0x0; 0x0        | GPO<br>0x0; 0x0           | Buck 1 POK<br>0x5; 0x0    |
| GPIO5 FPS Slot<br>GPIOSEQ5[3:0]               | Slot 7<br>0x6             | Slot 7<br>0x6          | Slot 7<br>0x6             | Slot 7<br>0x6             |
| GPIO6 FPS Slot<br>GPIOSEQ6[3:0]               | Slot 4<br>0x3             | Slot 4<br>0x3          | Slot 4<br>0x3             | Slot 4<br>0x3             |

### Detailed Description—Quad-Channel Configurable Buck Regulator

The IC integrates a high-efficiency, phase-configurable step-down (buck) regulator with four 3A phases ( $\Phi$ ). Four feedback inputs allow up to four different regulated outputs (channels). Each regulator operates on an input supply between 2.3V and 10V. Output voltage is programmable with an I<sup>2</sup>C serial interface between 0.25V and 5.2V in 5mV or 20mV steps depending on the RNGx bit. See the [Output Voltage Selection](#) section.

Each switching phase supports 3A. The phase configuration is selectable by strapping programming pins on the PCB. Any multiphase or single phase combination can be set: 4 $\Phi$ , 3 $\Phi$ +1 $\Phi$ , 2 $\Phi$ +2 $\Phi$ , 2 $\Phi$ +1 $\Phi$ +1 $\Phi$ , or 1 $\Phi$ +1 $\Phi$ +1 $\Phi$ +1 $\Phi$ . (See the [Phase Configuration](#) section.) Load capability adds linearly as phases combine (1 $\Phi$  supports 3A, 2 $\Phi$  supports 6A, etc.). Maximum load capability is 12A in the 4 $\Phi$  (single output channel) configuration. Four individual 3A outputs can be regulated in the (1+1+1+1) $\Phi$  configuration.

Six general-purpose input/outputs (GPIO) add additional flexibility. The GPIOs can be programmed as digital I/O or assigned to special functions: buck enable inputs, buck DVS inputs, buck FPWM mode inputs, or power-OK monitor outputs. See the [GPIO Buck Control](#) section.

### Buck Regulator Control Scheme

MAX77511/MAX77711 uses Maxim's proprietary Quick-PWM™ adaptive on-time control scheme. Adaptive on-time control provides fast response to load transients, inherent compensation to input voltage variation, and stable performance at low duty cycles. Buck 1 is referenced in the following explanation.

On-times (MOSFET Q1 on) are controlled by the on-time generator circuit. See [Figure 5](#). This circuit calculates an on-time based on the output voltage target ( $V_{OUT-REG1}$ ), the input voltage ( $V_{IN1}$ ), and the target switching frequency ( $F_{SW}$ ).

Off-times (MOSFET Q2 on) begin when the on-time ends. Shoot-through current from IN1 to PGND1 is avoided by

introducing a brief period of dead time between switching events when neither MOSFET is on. Inductor current conducts through Q2s intrinsic body diode during dead time.

The PWM comparator regulates  $V_{OUT1}$  by modulating off-time. The negative input of the PWM comparator is a voltage proportional to the actual output voltage error added to the inductor current sense. The positive input is a compensation ramp. The PWM comparator begins an on-time (and resets the compensation ramp) when the error voltage plus inductor current becomes less than the ramp. The off-time automatically begins again when the calculated on-time expires.

A phase scheduler receives the output of the PWM comparator and prioritizes the on-times of each phase under buck 1 control. The scheduler controls phase spacing (i.e., 2 $\Phi$  is spaced 180° apart, 3 $\Phi$  is spaced 120°, 4 $\Phi$  is spaced 90°). Multiphase configurations permanently have all phases activated and always switch in sequence during steady-state operation. Phases do not add or shed.

Switching frequency ( $F_{SW}$ ) of the adaptive on-time buck is variable and heavily influenced by the instantaneous load. More on-time pulses in a given time (higher  $F_{SW}$ ) is observed as load increases. Fewer on-times in a given time (lower  $F_{SW}$ ) is observed as load decreases.

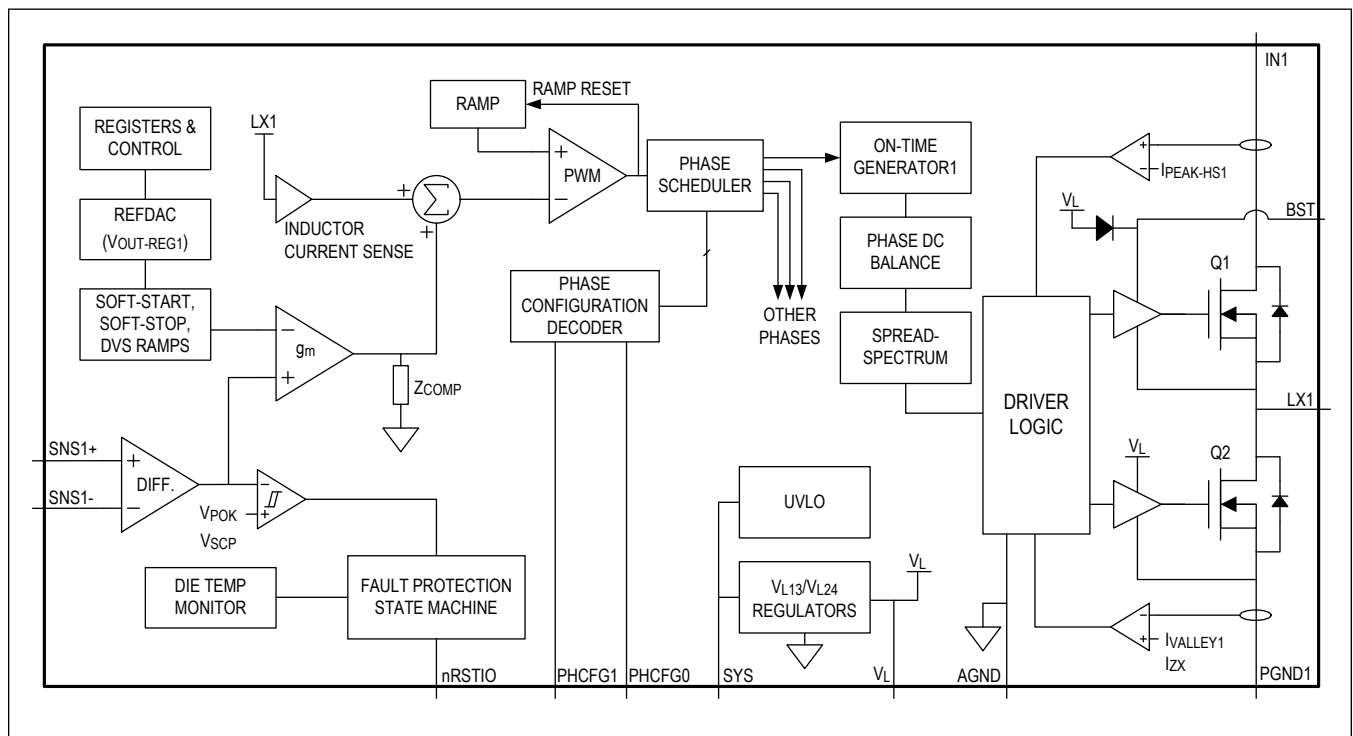


Figure 5. Buck Control Scheme Diagram



### Adaptive Off-Time Control

The buck regulator automatically switches from adaptive on-time control to adaptive off-time control when the IC detects duty cycle above 80%. Adaptive off-time control uses an off-time generator circuit and regulates the output voltage by modulating on-time. Changing control methods allows the regulator to maintain high stability and low jitter at high duty cycles.

### Phase Configuration

The IC has four 3A switching phases which can be configured into single phase or multiphase bucks. Use the PHCFG1 and PHCFG0 pins to program the buck phase configuration. PHCFG1/PHCFG0 are tri-state digital inputs. I<sup>2</sup>C device address is also configured using these pins. See [Table 6](#) for programming information.

**Table 6. Phase Configuration Programming**

| PHCFG1 | PHCFG0 | PHASE ( $\Phi$ ) CONFIGURATION            | NUMBER OF OUTPUTS | I <sup>2</sup> C DEVICE ADDRESS (7-BIT) |
|--------|--------|-------------------------------------------|-------------------|-----------------------------------------|
| 0      | 0      | 4 $\Phi$                                  | 1                 | 0x71                                    |
| 0      | 1      | 3 $\Phi$ + 1 $\Phi$                       | 2                 | 0x72                                    |
| 0      | Z      | 2 $\Phi$ + 2 $\Phi$                       | 2                 | 0x73                                    |
| 1      | 0      | 2 $\Phi$ + 1 $\Phi$ + 1 $\Phi$            | 3                 | 0x74                                    |
| 1      | 1      | 2 $\Phi$ + 1 $\Phi$ + 1 $\Phi$            | 3                 | 0x75                                    |
| 1      | Z      | 1 $\Phi$ + 1 $\Phi$ + 1 $\Phi$ + 1 $\Phi$ | 4                 | 0x76                                    |
| Z      | 0      | 1 $\Phi$ + 1 $\Phi$ + 1 $\Phi$ + 1 $\Phi$ | 4                 | 0x77                                    |
| Z      | 1      | 1 $\Phi$ + 1 $\Phi$ + 1 $\Phi$ + 1 $\Phi$ | 4                 | 0x4E                                    |
| Z      | Z      | 1 $\Phi$ + 1 $\Phi$ + 1 $\Phi$ + 1 $\Phi$ | 4                 | 0x4F                                    |

0 = connected to DGND

1 = connected to V<sub>DD</sub>

Z = unconnected

Permanently strap PHCFG1/PHCFG0 to one logic value on the PCB. The logic value of these inputs latches when the device exits shutdown.

The PHCFG[3:0] status bitfield reflects the latched value of the PHCFG1/PHCFG0 pins and can be used to check for errors before the host controller enables the bucks through I<sup>2</sup>C. See the [Register Map](#) for details.

The buck feedback configuration is specific to the phase configuration. For example, a quad-phase (4 $\Phi$ ) buck regulates a single output voltage using only the SNS1+/SNS1- pins for feedback. The other feedback pins are unused. See [Table 7](#) for how to configure the feedback sense pins for each phase configuration. Ground unused feedback sense pins. See the [Typical Applications Circuits](#) section of the data sheet for more information.

**Table 7. Buck Feedback Assignment vs. Phase Configuration**

| PHASE ( $\Phi$ ) CONFIGURATION     | PHASES USED              | BUCK NAMING CONVENTION      | FEEDBACK INPUTS |
|------------------------------------|--------------------------|-----------------------------|-----------------|
| 4 $\Phi$<br>(1 output)             | LX1<br>LX2<br>LX3<br>LX4 | Buck 1 (V <sub>OUT1</sub> ) | SNS1+<br>SNS1-  |
| 3 $\Phi$ + 1 $\Phi$<br>(2 outputs) | LX1<br>LX2<br>LX3        | Buck 1 (V <sub>OUT1</sub> ) | SNS1+<br>SNS1-  |
|                                    | LX4                      | Buck 4 (V <sub>OUT4</sub> ) | SNS4+<br>SNS4-  |
| 2 $\Phi$ + 2 $\Phi$<br>(2 outputs) | LX1<br>LX2               | Buck 1 (V <sub>OUT1</sub> ) | SNS1+<br>SNS1-  |
|                                    | LX3<br>LX4               | Buck 3 (V <sub>OUT3</sub> ) | SNS3+<br>SNS3-  |

**Table 7. Buck Feedback Assignment vs. Phase Configuration (continued)**

| PHASE ( $\Phi$ ) CONFIGURATION                           | PHASES USED | BUCK NAMING CONVENTION      | FEEDBACK INPUTS |
|----------------------------------------------------------|-------------|-----------------------------|-----------------|
| 2 $\Phi$ + 1 $\Phi$ + 1 $\Phi$<br>(3 outputs)            | LX1<br>LX2  | Buck 1 (V <sub>OUT1</sub> ) | SNS1+<br>SNS1-  |
|                                                          | LX3         | Buck 3 (V <sub>OUT3</sub> ) | SNS3+<br>SNS3-  |
|                                                          | LX4         | Buck 4 (V <sub>OUT4</sub> ) | SNS4+<br>SNS4-  |
| 1 $\Phi$ + 1 $\Phi$ + 1 $\Phi$ + 1 $\Phi$<br>(4 outputs) | LX1         | Buck 1 (V <sub>OUT1</sub> ) | SNS1+<br>SNS1-  |
|                                                          | LX2         | Buck 2 (V <sub>OUT2</sub> ) | SNS2+<br>SNS2-  |
|                                                          | LX3         | Buck 3 (V <sub>OUT3</sub> ) | SNS3+<br>SNS3-  |
|                                                          | LX4         | Buck 4 (V <sub>OUT4</sub> ) | SNS4+<br>SNS4-  |

## Output Voltage Selection

Target regulation voltage ( $V_{OUT-REG}$ ) is adjustable between 0.25V and 1.3V in 5mV steps, while the range bit is low ( $RNGx = 0$ ) and between 1V and 5.2V in 20mV steps, while the range bit is high ( $RNGx = 1$ ). See [Table 8](#). Each buck regulator has an independent corresponding  $RNGx$  bit.

**Table 8. Buck Output Voltage Range**

| RANGE BIT (RNG)         | $V_{OUT-REG}$ PROGRAMMING RANGE (V) | STEP PER LSB (mV) | REQUIRED INDUCTOR VALUE ( $\mu$ H) |
|-------------------------|-------------------------------------|-------------------|------------------------------------|
| RNG = 0<br>(low-range)  | 0.25 to 1.3                         | 5                 | 0.47                               |
| RNG = 1<br>(high-range) | 1 to 5.2                            | 20                | 1.5                                |

The same registers ( $VOUTREGx[7:0]$  and  $VOUTREGDVSx[7:0]$ ) set  $V_{OUT-REG}$  regardless of  $RNG$ . The default state of the  $RNG$  bit is factory-programmable. The range lock OTP bit ( $RNGLOCK$ ) prevents serial writes from changing  $RNG$  from the factory-default value. See the [Register Map](#) for details.

The  $VOUTREGx[7:0]$  bitfield sets the buck output voltage while the corresponding  $DVS$  input is logic-low.  $VOUTREGDVSx[7:0]$  sets the output voltage when the  $DVS$  input is logic-high.  $DVS$  is always logic-low if no GPIO is assigned as a  $DVS$  input for that particular buck. See the [Digital Voltage Scaling \(DVS\)](#) section for more details.

## Buck Enable Control

### Buck Software Enable

Use the I<sup>2</sup>C serial interface to program the  $BENx[3:0]$  bitfield to 0b001 to enable the corresponding buck output. Program  $BENx[3:0]$  to 0b000 to disable the buck. The serial interface is active whenever  $V_{IO}$  is valid.

### Buck Hardware Enable

A buck enable pin is available by assigning a GPIO as a special function buck enable input. When a GPIO is programmed as an enable input, then the interaction between the enable pin and the software (I<sup>2</sup>C) enable command is a logical *OR*. The GPIOs derive logic thresholds from the  $V_{IO}$  pin.  $V_{IO}$  must be valid for the GPIOs to function.

Program any GPIOs  $FUNCx[2:0]$  bitfield to 0b001 to configure that GPIO as a buck enable pin. Program which buck the enable pin controls using the corresponding  $BSELx[1:0]$  bitfield. The logical relationship between multiple GPIOs assigned to enable the same buck is a logical *OR*. See the [GPIO Buck Control](#) and the [Register Map](#) sections for more information.

### Buck Flexible Power Sequencer Enable

Use the  $ENSEQ$  pin to control the bucks using the Flexible Power Sequencer (FPS). Assert  $ENSEQ$  logic-high (or connect to  $SYS$ ) to cause bucks assigned to the FPS to power-up in a factory-programmed sequence. Bring  $ENSEQ$  logic-low to begin the power-down sequence. Power-down starts only after power-up is completed.

The sequence consists of 12 time slots. The  $BENx[3:0]$  bitfield controls the corresponding buck's slot assignment. The default value of this bitfield can be programmed at the factory and reprogrammed anytime while I<sup>2</sup>C is active.

Buck regulators cannot be assigned to a FPS slot and forced-enabled/disabled through software at the same time. However, a GPIO buck enable pin can be assigned while the same buck is assigned to a sequencer slot. The logical interaction between the FPS ( $ENSEQ$ ) and the GPIO enable pin is a logical *OR*.

$V_{IO}$  does not need to be valid for  $ENSEQ$  to activate the sequencer. The LDO (MAX77711 only) and GPIOs can also be assigned to the sequencer's slots. See the [Flexible Power Sequencer \(FPS\)](#) and [Register Map](#) sections of the data sheet for more information.

### Buck Power-OK Monitors

The IC features power-OK (POK) comparators to monitor the voltage quality of each buck output. The BPOKx status bits continuously reflect the status of these monitors. BPOKx goes high when the corresponding buck enables, the soft-start finishes, and its output rises above  $V_{POK-R}$  (82% of  $V_{OUT}$  target typ). BPOKx goes low when the corresponding buck disables or its output falls below  $V_{POK-F}$  (78% of  $V_{OUT}$  target typ).

The BPOK\_I interrupt is available to signal whenever any of the BPOKx status bits change from 1 to 0. Each BPOK bit is separately maskable to prevent BPOK\_I from asserting. See the [Register Map](#) for more details.

A hardware POK is available by assigning one of the GPIO pins as a POK output. See the [GPIO Buck Control](#) section for more information.

### Digital Voltage Scaling (DVS)

Use the digital voltage scaling (DVS) function to command buck output voltages to change quickly. Assign a GPIO as a DVS special function input to enable DVS for the selected buck. See the [GPIO Buck Control](#) section for details.

When the DVS pin is asserted logic-low, then the selected buck's output voltage is programmed by the VOUTREGx[7:0] register. When DVS is asserted high, then the buck's output follows the VOUTREGDVSx[7:0] register. If a buck converter has no DVS pin assigned by a GPIO special function, then the output voltage always follows VOUTREGx[7:0].

When  $V_{OUTx}$  is increased by a DVS command, the target voltage is ramped at a positive rate set by the corresponding DVSRISEx[2:0] bitfield. When  $V_{OUTx}$  is decreased by DVS, the target voltage is ramped at a negative rate set by the corresponding DVSFALLx[2:0] bitfield.

Set the FSRENx bit to enable the corresponding buck to automatically enter FPWM mode (regardless of MODEx[1:0]) when the target voltage is commanded to ramp. FPWM mode allows the buck output to sink current from  $C_{OUT}$  to PGND which enables  $V_{OUTx}$  to track the negative rate set by DVSFALLx[2:0] (DVS down) or SFTUPDN[2:0] (soft-stop). See [Table 9](#).

**Table 9. FSREN Effect on Buck Behavior**

| MODEx[1:0]         | FSRENx | BUCK BEHAVIOR IN DC<br>(NO $V_{OUTx}$ CHANGE) | BUCK BEHAVIOR DURING RAMP<br>( $V_{OUTx}$ CHANGING) |
|--------------------|--------|-----------------------------------------------|-----------------------------------------------------|
| SKIP or Turbo SKIP | 0      | Source Only                                   | Source Only                                         |
|                    | 1      | Source Only                                   | Source or Sink                                      |
| Forced-PWM         | X      | Source or Sink                                | Source or Sink                                      |

**Note:** Buck outputs capable of sinking current can follow changes to  $V_{OUTx}$  with negative ramp rates set by DVSFALLx[2:0] or SFTUPDN[2:0] (soft-stop).

### Buck Regulator Mode

Use the MODEx[1:0] bitfield to program the bucks to one of three modes. The default mode is Turbo SKIP mode. All modes are described as follows:

- Forced-PWM (FPWM) mode ensures continuous inductor current at all output loads. Negative inductor current is allowed no less than  $I_{NEG}$  (-3A typ). The converter can sink DC current from the output capacitor to maintain output voltage regulation. All internal control circuits remain on in FPWM mode to achieve the fastest load transient response.
- SKIP mode forces discontinuous inductor current at light loads. The controller prevents negative inductor current by forcing LX to a high-impedance state if inductor current is detected near 0mA. SKIP mode deactivates a portion of the internal control circuitry to conserve quiescent supply current ( $I_Q$ ). SKIP mode improves light-load efficiency of the buck by reducing the total number of switching cycles needed to regulate the output. Only use SKIP mode if expected load current is less than 10mA per phase.
- Turbo SKIP mode is similar to SKIP mode. Turbo SKIP mode prevents negative inductor current but keeps the internal control circuitry activated to improve the converter's response to load transients. Use Turbo SKIP when expected load currents are more than 10mA per phase. This is the default recommended mode.

Mode can be reprogrammed any time while I<sup>2</sup>C is active. See the *Typical Operating Characteristics* for a performance overview of the three modes.

A GPIO special buck control function is available to force the selected buck into FPWM mode using a hardware pin. See the [GPIO Buck Control](#) section for details. If a GPIO is assigned as an FPWM input, then the selected buck operates in FPWM mode when the pin is asserted logic-high. The buck operates in the mode programmed by its MODEx[1:0] bitfield when the pin is asserted logic-low.

### Soft-Start and Soft-Stop

The IC has internal soft-start and soft-stop ramps that control the slew rate of  $V_{OUTx}$  as the bucks startup and shutdown. Ramp rate magnitude is programmed by the SFTUPDNx[2:0] bitfield. This bitfield controls both soft-start and soft-stop slew rate. Each buck has unique control of output ramp rate.

The bucks always soft-start whenever enabled by any source (sequencer, hardware input, software command). The bucks soft-start when recovering from a short-circuit protection (SCP) fault or over-temperature lockout (OTLO).

The bucks always soft-stop when disabled by the sequencer, hardware enable inputs, or software commands. If any buck regulator causes an SCP fault, then that buck stops switching immediately without soft-stop (LX becomes high-impedance). All other enabled bucks soft-stop in a controlled manner. If OTLO is detected, then all bucks stop switching immediately without soft-stop.

Bucks only follow their commanded soft-stop ramp if the buck is capable of sinking current. Use the FSRENx bit to enable the corresponding buck output to sink current and follow soft-stop ramp regardless of MODEx[1:0]. See [Table 9](#) for more information.

### Active Discharge Resistor

The IC integrates a 100 $\Omega$  active discharge resistor ( $R_{LX-AD}$ ) between LXx and the corresponding PGNDx that discharges the output capacitor when the buck disables and the soft-stop ramp finishes. Write ADENx = 1 through I<sup>2</sup>C to enable the active discharge resistor function for all phases under the master buck's control. For example, if buck 3 is configured as a 2 $\Phi$  (6A) channel, then writing ADEN3 = 1 activates the active discharge resistor on both LX3 and LX4 when buck 3 disables and soft-stop finishes.

An internal option for advanced users is discussed in the [Assisted Active Discharge after Soft-Stop](#) section of the data sheet.

### Spread-Spectrum Modulation

The bucks are capable of dithering their switching frequency for noise-sensitive applications. Program the bits in the SPECTMODx[1:0] bitfield to enable spread-spectrum modulation for the corresponding buck regulator. Each buck can activate or deactivate spread-spectrum individually.

The spread-spectrum modulation pattern is either pseudo-random or triangular. The choice of pseudo-random or triangular is only programmable at the factory.

Spread-spectrum modulation is characterized by two parameters: modulation envelope and modulation rate.

- The modulation envelope ( $\Delta F_{SW}$ ) determines the maximum difference between the modulated switching frequency and the nominal switching frequency. This controls *how much* the frequency dithers. The modulation envelope is nominally  $\pm 8\%$  for all profiles regardless of pseudo-random or triangular.
- The modulation rate determines how quickly the switching frequency changes from one value to another. This controls *how fast* the frequency dithers.

**Pseudo-Random Pattern**

The pseudo-random engine uses a 4-bit linear feedback shift register (LFSR) to create a pseudo-random value. Refer to [Figure 6](#). The LFSR value is converted to an analog signal and then amplified before being added to the output of the on-time generator circuit. The pseudo-random value shortens or lengthens the on-time of the converter. This causes the control loop to increase or decrease the switching frequency to maintain voltage regulation. Each buck has its own pseudo-random pattern generator.

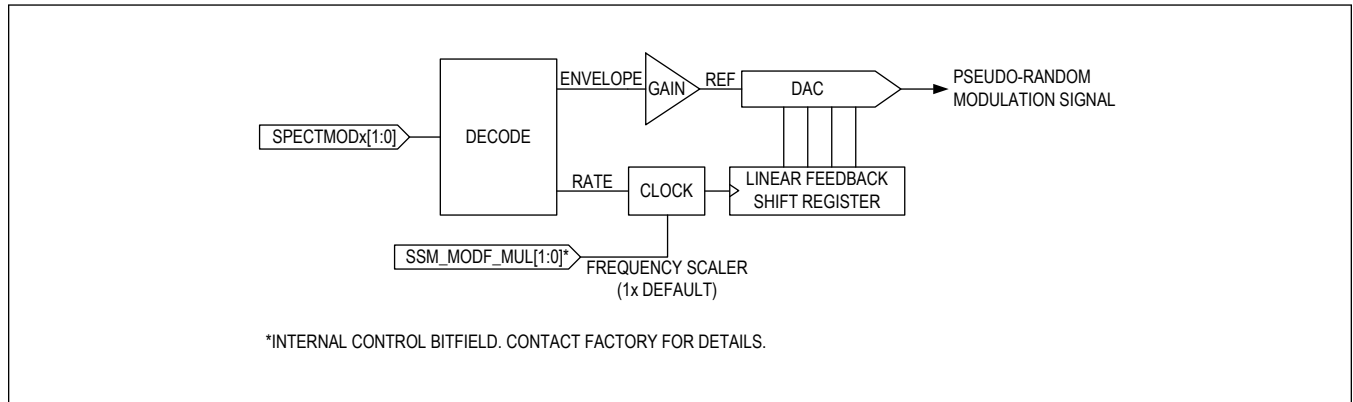


Figure 6. Pseudo-Random Modulator Engine

Use the SPECTMODx[1:0] bitfield to enable spread-spectrum to one of three modulation rates (FSSMOD). FSSMOD sets the frequency at which the LFSR wraps back to the seed value. The clock rate of the LFSR is FLFSR. This is the frequency at which one pseudo-random value changes to another. Refer to [Figure 7](#) for an illustration.

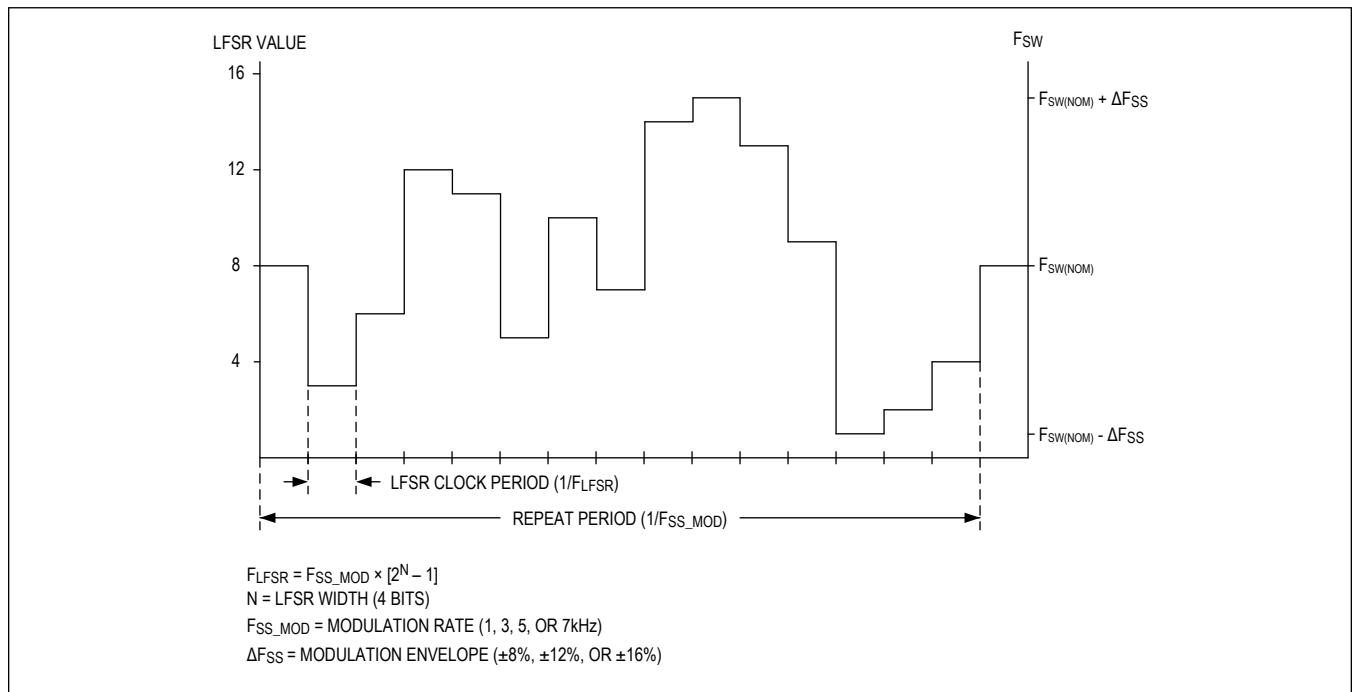


Figure 7. 4-Bit Pseudo-Random Modulation Signal Example

**Triangular Pattern**

The triangular engine uses a 4-bit up/down synchronous counter to create a stepped triangle pattern. Refer to [Figure 8](#). The counter value is converted to an analog signal and then amplified before being added to the output of the on-time generator circuit. The counter value progressively shortens and lengthens the on-time of the converter. This causes the control loop to progressively increase and decrease the switching frequency to maintain voltage regulation. Each buck has its own triangular pattern generator.

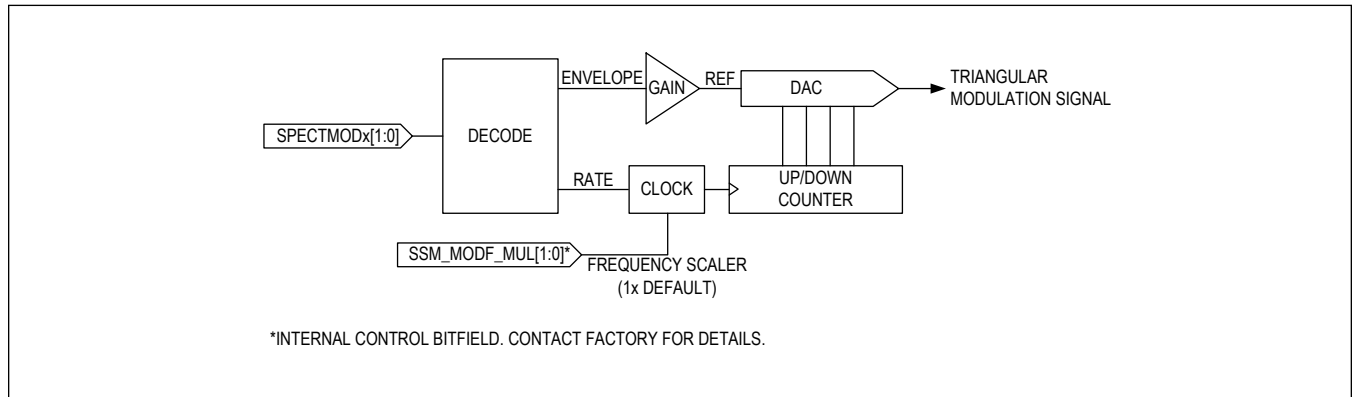


Figure 8. Triangular Modulator Engine

Use the SPECTMODx[1:0] bitfield to enable spread-spectrum to one of three modulation rates ( $F_{SSMOD}$ ).  $F_{SSMOD}$  sets the frequency at which the counter returns to the same value. The clock rate of the counter is  $F_{COUNT}$ . This is the frequency at which the frequency changes from one value to another. Refer to [Figure 9](#) for an illustration.

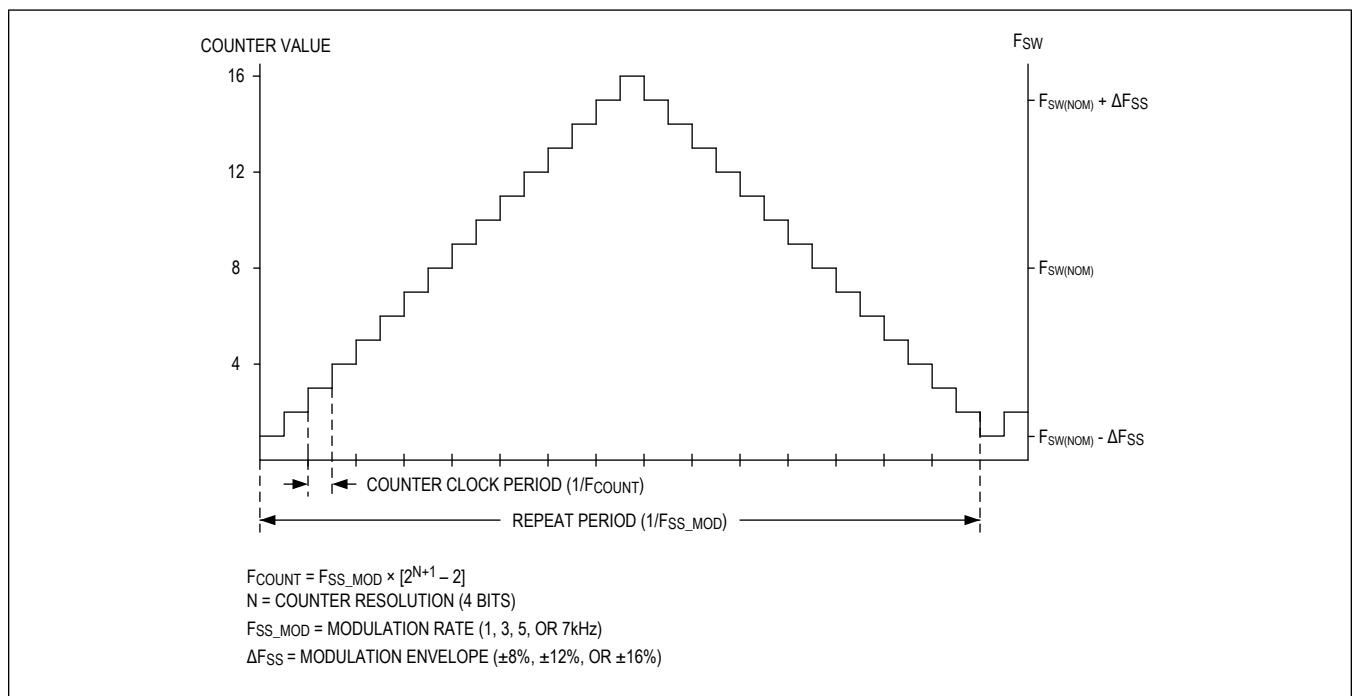


Figure 9. 4-Bit Triangular Modulation Signal Example

## Output Current Monitoring

The IC is capable of sensing DC current in each switching phase.

The output of the circuit is the AMUX pin. The signal on AMUX ranges from 0V to  $V_{FS}$  (1.0V typ). Use the MUX\_SEL[2:0] bitfield to select which phase the AMUX pin is monitoring current from.

For measuring current in multiphase buck configurations, the host controller must convert current in each phase and then perform the addition. The MAX77511/MAX77711 only provides current information *per phase*. Current information is not summed for multiphase bucks.

### Method for Measuring Buck Converter Output Current

1. Program the multiplexer to switch to the desired output phase by changing the bits in MUX\_SEL[2:0].
2. Wait the appropriate channel switching and signal settling time (200 $\mu$ s typ).
3. Convert the voltage on the AMUX pin and use Equation 1 to determine the average current in that phase.
4. If using a multiphase buck configuration, then multiply the result of Equation 1 by the number of phases in the buck to approximate the total current (Equation 2).

#### Equation 1

$$I_{\text{PHASE(AVG)}} = \frac{V_{\text{AMUX}}}{G_{\text{DCIMON}}}$$

where  $G_{\text{DCIMON}}$  is the gain of the current monitor (0.333V/A typ).

#### Equation 2

$$I_{\text{OUT(AVG)}} = I_{\text{PHASE(AVG)}} \times N$$

where  $I_{\text{PHASE(AVG)}}$  is the result of the current measurement of a single phase (Equation 1) and  $N$  is the number of switching phases configured for the corresponding buck.

A more accurate output current measurement is possible by converting the current in a multiphase buck's individual phases and then adding the results. For example, measure the output current of a 3 $\Phi$  buck configuration by repeating steps 1-3 for each of the three phases in sequence. Add the individual phase measurements together to find the total buck output current.

## Short-Circuit and Thermal Protection

The IC has fault protection designed to protect itself from abnormal conditions. If any buck is overloaded, cycle-by-cycle current limit prevents inductor current (in each phase) from increasing beyond  $I_{\text{PEAK-HSx}}$ . If an on-time is ended by current limit, then the buck prevents a new on-time from starting until the inductor current falls below  $I_{\text{VALLEY}}$  (1A less than  $I_{\text{PEAK-HS}}$  typ). This prevents inductor current from increasing uncontrollably due to the overloaded output.

The bucks have additional short-circuit protection (SCP) and over-temperature lockout (OTLO) protection functions that operate according to the state machine in [Figure 10](#). The operation of the state machine is summarized as follows:

- If any enabled buck output falls below  $V_{\text{POK-F}}$  (typically 78% of regulation target), then a warning interrupt asserts (SCPWRN\_I).
- If any enabled buck output stays below  $V_{\text{POK-R}}$  (typically 82% of regulation target) for longer than  $t_{\text{SFTSHRT}}$ , then all resources disable and a fault interrupt asserts (FLT\_I).
- If any phase has 16 consecutive on-times terminated by current limit, then a warning interrupt asserts (SCPWRN\_I).
- If any phase continues to have an unbroken string of on-times terminated by current limit for longer than  $t_{\text{SFTSHRT}}$ , then all resources disable and a fault interrupt asserts (FLT\_I).
- If any enabled output falls below  $V_{\text{SCP}}$  (typically 20% of regulation target), then all resources disable and a fault interrupt asserts (FLT\_I).
- If the junction temperature exceeds  $T_{\text{OTLO}}$  (165°C typ), then all resources disable and a fault interrupt asserts (FLT\_I).
- If the FLT\_I interrupt asserts, then the IC pulls the nRSTIO pin low and latches into an internal fault state (FLT = 1). Resources may not enable until the fault state clears.
- If there is no fault condition but the nRSTIO pin is pulled low externally, then all resources disable. No interrupt asserts when nRSTIO is driven low externally. Resources may not enable until nRSTIO = 1.

SCP monitoring is not active during soft-start and soft-stop ramps. SCP is active during DVS ramps.



OTLO monitoring is active whenever any of the following conditions are true:

- Any buck enables.
- The force thermal protection enable bit sets (FTPEN = 1). See the [Register Map](#).
- Thermal protection enables (for any reason) and detects  $T_J > 120^\circ\text{C}$  ( $TJ\_S[1:0]$  reads  $> 0b00$ ). Protection automatically remains active until  $T_J < 105^\circ\text{C}$ .

The internal fault state is exited when all of the following conditions are true:

- The die temperature falls below  $T_{OTLO}$  by approximately  $15^\circ\text{C}$  ( $TJ\_S[1:0] < 0b11$ ).
- ENSEQ pin is logic-low.
- All or some bucks are programmed disabled:
  - If the fault state was latched due to SCP, then only the buck that caused the SCP needs to be disabled.
  - If the fault state was latched due to OTLO, then all bucks must be disabled.

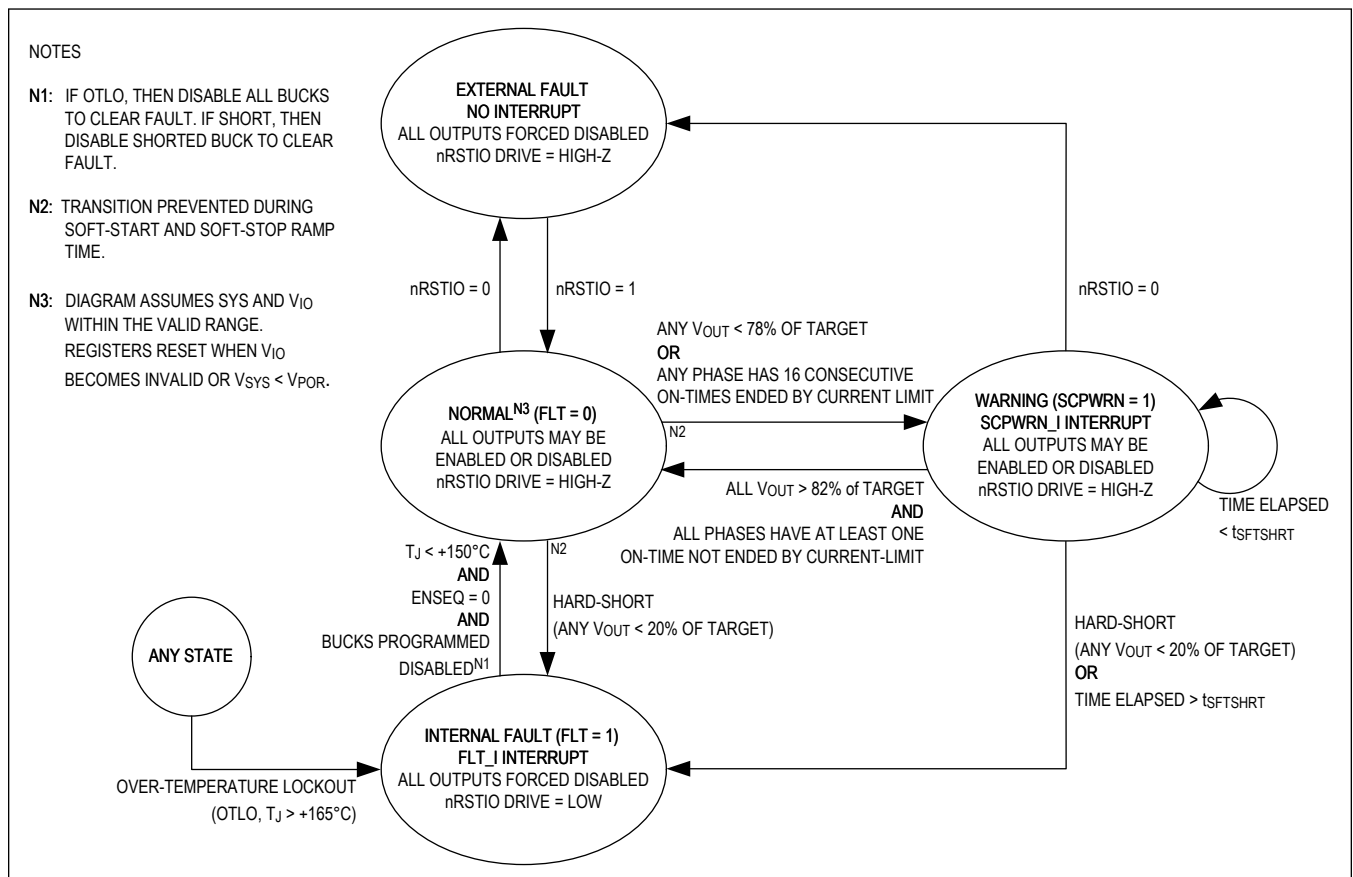


Figure 10. Fault Protection State Machine

**Reset Input/Output (nRSTIO)**

nRSTIO is an active-low, open-drain input/output pin that is typically connected to all other MAX77511/MAX77711 nRSTIO pins on the PCB. Use nRSTIO in systems using multiple MAX77511/MAX77711 devices that need all outputs to shut off simultaneously if any one output detects a fault (short-circuit or OTLO). See [Figure 11](#) for a recommended system diagram.

The IC asserts nRSTIO low if FLT = 1. The IC stops driving nRSTIO low when the fault state is cleared (FLT = 0). See [Figure 10](#) for details about the IC fault protection logic.

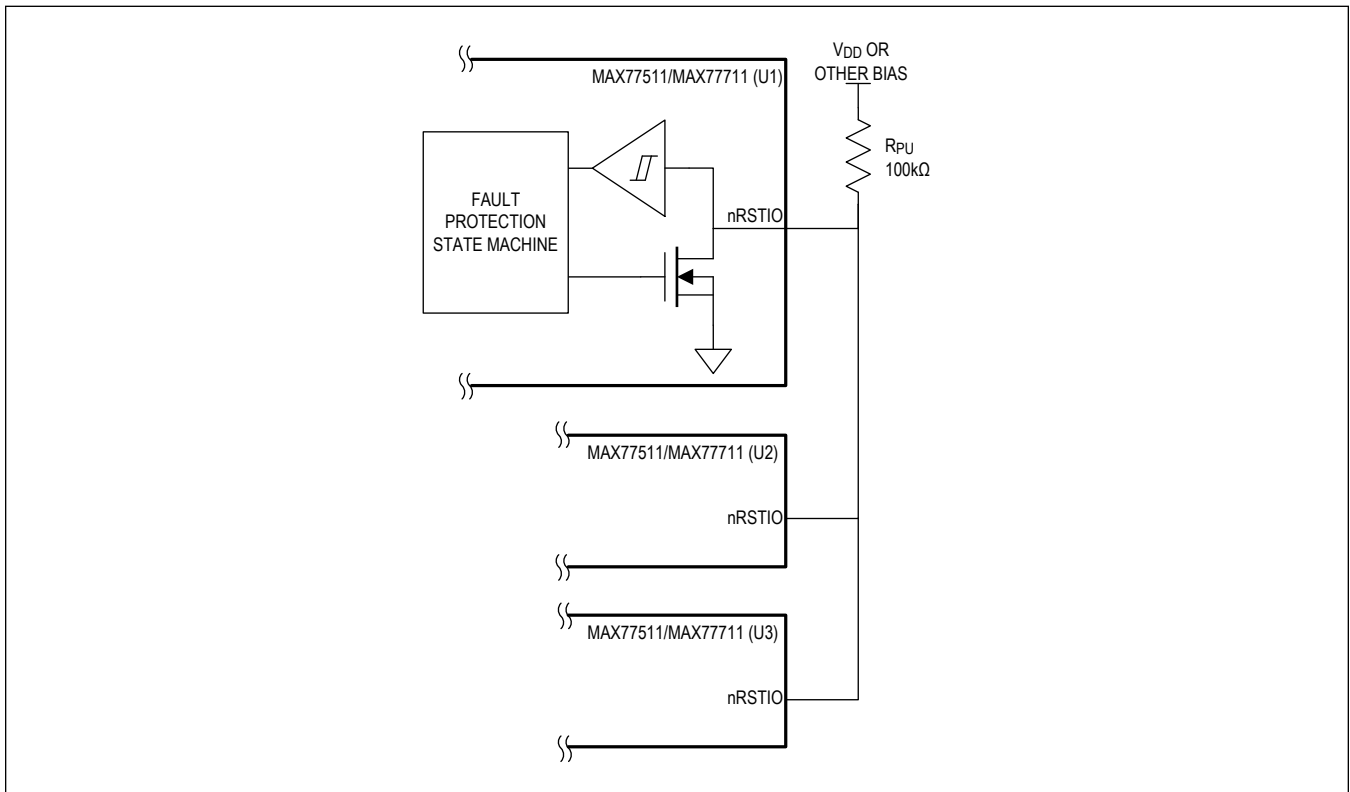


Figure 11. Common nRSTIO for Fault Signaling

## Detailed Description—Linear Regulator (MAX77711 Only)

The MAX77711 integrates a 300mA PMOS low-dropout linear voltage regulator (LDO). Output voltage is programmable through I<sup>2</sup>C between 0.4V and 1.975V in 25mV steps using the LDO\_VREG[5:0] bitfield. A 100Ω (typ) active-discharge resistor is available to quickly discharge the LDOs output after the regulator has been disabled.

The LDO is not available in the MAX77511. When using MAX77511, connect the INLDO and LDO pins to ground on the PCB and do not make changes to the LDO control registers.

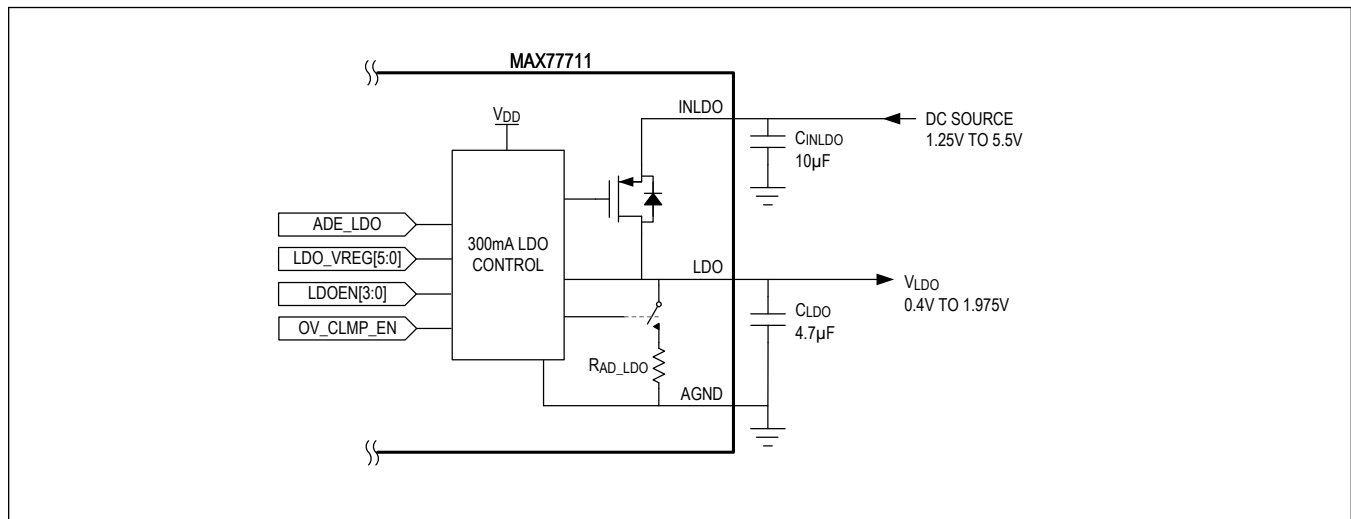


Figure 12. LDO Simplified Block Diagram

## LDO Enable Control

### LDO Software Enable

Use the I<sup>2</sup>C serial interface to program the LDOEN[3:0] bitfield to 0b001 to enable the LDO. Program LDOEN[3:0] to 0b000 to disable the LDO. The serial interface is active whenever V<sub>IO</sub> is valid. Do not make changes to this bitfield if using the MAX77511.

### LDO Hardware Enable

An LDO enable pin is available by assigning a GPIO as a special function LDO enable input (LDOEN). When a GPIO is programmed as an enable input, then the interaction between the enable pin and the software (I<sup>2</sup>C) enable command is a logical OR. The GPIOs derive logic thresholds from the V<sub>IO</sub> pin. V<sub>IO</sub> must be valid for the GPIOs to function.

Program any GPIOs FUNCx[2:0] bitfield to 0b100 to configure that GPIO as an LDO enable pin. The logical relationship between multiple GPIOs assigned to enable the LDO is a logic OR. See the [Register Map](#) section for more information. Do not configure a GPIO as an LDO enable pin when using the MAX77511.

### LDO Flexible Power Sequencer Enable

The LDO can be controlled using the Flexible Power Sequencer (FPS). See the [Flexible Power Sequencer \(FPS\)](#) section for a full description.

The LDOEN[3:0] bitfield controls the LDOs slot assignment in the FPS. The default value of this bitfield can be programmed at the factory. The LDO cannot be assigned to a FPS slot and forced-enabled/disabled through software at the same time. However, a GPIO LDO enable pin can be assigned while the same LDO is assigned to a sequencer slot. The logical interaction between the FPS (ENSEQ) and the GPIO enable pin is a logical OR. See the [Register Map](#) section of the data sheet for more information. Do not assign the LDO to the FPS when using the MAX77511.

## Detailed Description—I<sup>2</sup>C Serial Interface

All MAX77511/MAX77711 versions feature a revision 3.0 I<sup>2</sup>C-compatible, 2-wire serial interface consisting of a bidirectional serial data line (SDA) and a serial clock line (SCL). The MAX77511/MAX77711 is a slave-only device that relies on an external bus master to generate SCL. SCL clock rates from 0Hz to 3.4MHz are supported. I<sup>2</sup>C is an open-drain bus, and therefore, SDA and SCL require pullups.

The device's I<sup>2</sup>C communication controller implements 7-bit slave addressing. An I<sup>2</sup>C bus master initiates communication with the slave by issuing a START condition followed by the slave address. The slave address is pin-programmable on the PCB using the PHCFG1 and PHCFG0 pins (see [Table 10](#)). These pins also set the buck regulator's phase configuration (see [Phase Configuration](#)). All slave addresses not mentioned in [Table 10](#) are not acknowledged.

The device uses 8-bit registers with 8-bit register addressing. They support standard communication protocols: (1) Writing to a single register, (2) Writing to multiple sequential registers with an automatically incrementing data pointer, (3) Reading from a single register, (4) Reading from multiple sequential registers with an automatically incrementing data pointer. For additional information on the I<sup>2</sup>C protocols, refer to the *MAX77511/MAX77711 I<sup>2</sup>C Implementation Guide*.

**Table 10. I<sup>2</sup>C Slave Address Options**

| [PHCFG1, PHCFG0] | PHASE (Φ) CONFIGURATION | 7-BIT SLAVE ADDRESS | 8-BIT WRITE ADDRESS  | 8-BIT READ ADDRESS   |
|------------------|-------------------------|---------------------|----------------------|----------------------|
| [0, 0]           | 4Φ                      | 0x71<br>0b 111 0001 | 0xE2<br>0b 1110 0010 | 0xE3<br>0b 1110 0011 |
| [0, 1]           | 3Φ+1Φ                   | 0x72<br>0b 111 0010 | 0xE4<br>0b 1110 0100 | 0xE5<br>0b 1110 0101 |
| [0, Z]           | 2Φ+2Φ                   | 0x73<br>0b 111 0011 | 0xE6<br>0b 1110 0110 | 0xE7<br>0b 1110 0111 |
| [1, 0]           | 2Φ+1Φ+1Φ                | 0x74<br>0b 111 0100 | 0xE8<br>0b 1110 1000 | 0xE9<br>0b 1110 1001 |
| [1, 1]           | 2Φ+1Φ+1Φ                | 0x75<br>0b 111 0101 | 0xEA<br>0b 1110 1010 | 0xEB<br>0b 1110 1011 |
| [1, Z]           | 1Φ+1Φ+1Φ+1Φ             | 0x76<br>0b 111 0110 | 0xEC<br>0b 1110 1100 | 0xED<br>0b 1110 1101 |
| [Z, 0]           | 1Φ+1Φ+1Φ+1Φ             | 0x77<br>0b 111 0111 | 0xEE<br>0b 1110 1110 | 0xEF<br>0b 1110 1111 |
| [Z, 1]           | 1Φ+1Φ+1Φ+1Φ             | 0x4E<br>0b 100 1110 | 0x9C<br>0b 1001 1100 | 0x9D<br>0b 1001 1101 |
| [Z, Z]           | 1Φ+1Φ+1Φ+1Φ             | 0x4F<br>0b 100 1111 | 0x9E<br>0b 1001 1110 | 0x9F<br>0b 1001 1111 |

See [Phase Configurations](#) for more information on the PHCFG1 and PHCFG0 pins.

## Test Mode

The MAX77511/MAX77711 acknowledges the 8-bit device write address 0x50 when test mode is unlocked. Test mode details are confidential. The IC remains out of test mode during normal operation.

If possible, leave the test mode address unallocated to allow for the rare event that debugging needs to be performed in cooperation with Maxim.

## Register Map

## MAX77511/MAX77711

| ADDRESS                     | NAME                               | MSB              |          |                |            |                 |               |                   | LSB       |
|-----------------------------|------------------------------------|------------------|----------|----------------|------------|-----------------|---------------|-------------------|-----------|
| <b>Global</b>               |                                    |                  |          |                |            |                 |               |                   |           |
| 0x00                        | <a href="#">INTERRUPT[7:0]</a>     | TJ_I             | SYSUV_I  | FLT_I          | SCPWR_N_I  | RSVD            | GPIO_I        | LDOPOK_I          | BPOK_I    |
| 0x01                        | <a href="#">GLBL_STATUS_A[7:0]</a> | RNGLOCK          | SYSUV    | FLT            | SCPWR_N    | BPOK4           | BPOK3         | BPOK2             | BPOK1     |
| 0x02                        | <a href="#">GLBL_STATUS_B[7:0]</a> | GPIOLOCK         | IRQ_S    | FPS_S[1:0]     |            | TJ_S[1:0]       |               | LDOPOK            | nRSTIO_S  |
| 0x03                        | <a href="#">GPIO_STATUS[7:0]</a>   | RSVD             | RSVD     | GPIO_DI_6      | GPIO_DI_5  | GPIO_DI_4       | GPIO_DI_3     | GPIO_DI_2         | GPIO_DI_1 |
| 0x04                        | <a href="#">CHIP_DTLS_A[7:0]</a>   | RSVD[3:0]        |          |                |            | RSVD[3:0]       |               |                   |           |
| 0x05                        | <a href="#">CHIP_DTLS_B[7:0]</a>   | PHCFG3[3:0]      |          |                |            | CID[3:0]        |               |                   |           |
| 0x06                        | <a href="#">GLBL_CNFG_A[7:0]</a>   | MUX_SEL[2:0]     |          |                | FVLEN      | FPS_SLOT_T[1:0] |               | SCPWARN_TIME[1:0] |           |
| 0x07                        | <a href="#">GLBL_CNFG_B[7:0]</a>   | TJ_IM            | SYSUV_IM | FLT_IM         | SCPWR_N_IM | RSVD[3:0]       |               |                   |           |
| 0x08                        | <a href="#">GLBL_CNFG_C[7:0]</a>   | RSVD[6:0]        |          |                |            |                 |               |                   | FTPEN     |
| <b>Buck 1 Configuration</b> |                                    |                  |          |                |            |                 |               |                   |           |
| 0x10                        | <a href="#">B1_CNFG_A[7:0]</a>     | ILIM1[1:0]       |          | MODE1[1:0]     |            | BEN1[3:0]       |               |                   |           |
| 0x11                        | <a href="#">B1_CNFG_B[7:0]</a>     | BPOK1_I_M        | ADEN1    | SPECTMOD1[1:0] |            | FSREN1          | SFTUPDN1[2:0] |                   |           |
| 0x12                        | <a href="#">B1_CNFG_C[7:0]</a>     | RSVD             | RNG1     | DVSRISE1[2:0]  |            |                 | DVSFALL1[2:0] |                   |           |
| 0x13                        | <a href="#">B1_CNFG_D[7:0]</a>     | VOUTREG1[7:0]    |          |                |            |                 |               |                   |           |
| 0x14                        | <a href="#">B1_CNFG_E[7:0]</a>     | VOUTREGDVS1[7:0] |          |                |            |                 |               |                   |           |
| <b>Buck 2 Configuration</b> |                                    |                  |          |                |            |                 |               |                   |           |
| 0x20                        | <a href="#">B2_CNFG_A[7:0]</a>     | ILIM2[1:0]       |          | MODE2[1:0]     |            | BEN2[3:0]       |               |                   |           |
| 0x21                        | <a href="#">B2_CNFG_B[7:0]</a>     | BPOK2_I_M        | ADEN2    | SPECTMOD2[1:0] |            | FSREN2          | SFTUPDN2[2:0] |                   |           |
| 0x22                        | <a href="#">B2_CNFG_C[7:0]</a>     | RSVD             | RNG2     | DVSRISE2[2:0]  |            |                 | DVSFALL2[2:0] |                   |           |
| 0x23                        | <a href="#">B2_CNFG_D[7:0]</a>     | VOUTREG2[7:0]    |          |                |            |                 |               |                   |           |
| 0x24                        | <a href="#">B2_CNFG_E[7:0]</a>     | VOUTREGDVS2[7:0] |          |                |            |                 |               |                   |           |
| <b>Buck 3 Configuration</b> |                                    |                  |          |                |            |                 |               |                   |           |
| 0x30                        | <a href="#">B3_CNFG_A[7:0]</a>     | ILIM3[1:0]       |          | MODE3[1:0]     |            | BEN3[3:0]       |               |                   |           |
| 0x31                        | <a href="#">B3_CNFG_B[7:0]</a>     | BPOK3_I_M        | ADEN3    | SPECTMOD3[1:0] |            | FSREN3          | SFTUPDN3[2:0] |                   |           |
| 0x32                        | <a href="#">B3_CNFG_C[7:0]</a>     | RSVD             | RNG3     | DVSRISE3[2:0]  |            |                 | DVSFALL3[2:0] |                   |           |
| 0x33                        | <a href="#">B3_CNFG_D[7:0]</a>     | VOUTREG3[7:0]    |          |                |            |                 |               |                   |           |
| 0x34                        | <a href="#">B3_CNFG_E[7:0]</a>     | VOUTREGDVS3[7:0] |          |                |            |                 |               |                   |           |
| <b>Buck 4 Configuration</b> |                                    |                  |          |                |            |                 |               |                   |           |
| 0x40                        | <a href="#">B4_CNFG_A[7:0]</a>     | ILIM4[1:0]       |          | MODE4[1:0]     |            | BEN4[3:0]       |               |                   |           |
| 0x41                        | <a href="#">B4_CNFG_B[7:0]</a>     | BPOK4_I_M        | ADEN4    | SPECTMOD4[1:0] |            | FSREN4          | SFTUPDN4[2:0] |                   |           |

| ADDRESS                                  | NAME                             | MSB              |      |                |             |               |               |      | LSB  |
|------------------------------------------|----------------------------------|------------------|------|----------------|-------------|---------------|---------------|------|------|
| 0x42                                     | <a href="#">B4_CNFG_C[7:0]</a>   | RSVD             | RNG4 | DVSRISE4[2:0]  |             |               | DVSFALL4[2:0] |      |      |
| 0x43                                     | <a href="#">B4_CNFG_D[7:0]</a>   | VOUTREG4[7:0]    |      |                |             |               |               |      |      |
| 0x44                                     | <a href="#">B4_CNFG_E[7:0]</a>   | VOUTREGDVS4[7:0] |      |                |             |               |               |      |      |
| <b>LDO Configuration (MAX77711 Only)</b> |                                  |                  |      |                |             |               |               |      |      |
| 0x50                                     | <a href="#">LDO_CNFG_A[7:0]</a>  | OV_CLM<br>P_EN   | RSVD | LDOPOK<br>_IM  | ADE_LD<br>O | LDOEN[3:0]    |               |      |      |
| 0x51                                     | <a href="#">LDO_CNFG_B[7:0]</a>  | RSVD             | RSVD | LDO_VREG[5:0]  |             |               |               |      |      |
| <b>GPIO Configuration</b>                |                                  |                  |      |                |             |               |               |      |      |
| 0x60                                     | <a href="#">GPIO_INT[7:0]</a>    | RSVD             | RSVD | INT6           | INT5        | INT4          | INT3          | INT2 | INT1 |
| 0x61                                     | <a href="#">GPIO_PULLUP[7:0]</a> | RSVD             | RSVD | PU6            | PU5         | PU4           | PU3           | PU2  | PU1  |
| 0x62                                     | <a href="#">GPIO_PULLDN[7:0]</a> | RSVD             | RSVD | PD6            | PD5         | PD4           | PD3           | PD2  | PD1  |
| 0x64                                     | <a href="#">GPIO_CNFG1[7:0]</a>  | IRQ_SEL1[1:0]    |      | DBNC_SEL1[1:0] |             | DATA1         | DIR1[1:0]     |      | DRV1 |
| 0x65                                     | <a href="#">GPIO_CNFG2[7:0]</a>  | IRQ_SEL2[1:0]    |      | DBNC_SEL2[1:0] |             | DATA2         | DIR2[1:0]     |      | DRV2 |
| 0x66                                     | <a href="#">GPIO_CNFG3[7:0]</a>  | IRQ_SEL3[1:0]    |      | DBNC_SEL3[1:0] |             | DATA3         | DIR3[1:0]     |      | DRV3 |
| 0x67                                     | <a href="#">GPIO_CNFG4[7:0]</a>  | IRQ_SEL4[1:0]    |      | DBNC_SEL4[1:0] |             | DATA4         | DIR4[1:0]     |      | DRV4 |
| 0x68                                     | <a href="#">GPIO_CNFG5[7:0]</a>  | IRQ_SEL5[1:0]    |      | DBNC_SEL5[1:0] |             | DATA5         | DIR5[1:0]     |      | DRV5 |
| 0x69                                     | <a href="#">GPIO_CNFG6[7:0]</a>  | IRQ_SEL6[1:0]    |      | DBNC_SEL6[1:0] |             | DATA6         | DIR6[1:0]     |      | DRV6 |
| 0x6A                                     | <a href="#">GPIO_FUNC1[7:0]</a>  | RSVD             | RSVD | RSVD           | BSEL1[1:0]  |               | FUNC1[2:0]    |      |      |
| 0x6B                                     | <a href="#">GPIO_FUNC2[7:0]</a>  | RSVD             | RSVD | RSVD           | BSEL2[1:0]  |               | FUNC2[2:0]    |      |      |
| 0x6C                                     | <a href="#">GPIO_FUNC3[7:0]</a>  | RSVD             | RSVD | RSVD           | BSEL3[1:0]  |               | FUNC3[2:0]    |      |      |
| 0x6D                                     | <a href="#">GPIO_FUNC4[7:0]</a>  | RSVD             | RSVD | RSVD           | BSEL4[1:0]  |               | FUNC4[2:0]    |      |      |
| 0x6E                                     | <a href="#">GPIO_FUNC5[7:0]</a>  | RSVD             | RSVD | RSVD           | BSEL5[1:0]  |               | FUNC5[2:0]    |      |      |
| 0x6F                                     | <a href="#">GPIO_FUNC6[7:0]</a>  | RSVD             | RSVD | RSVD           | BSEL6[1:0]  |               | FUNC6[2:0]    |      |      |
| 0x70                                     | <a href="#">GPIO_FPS[7:0]</a>    | GPIOSEQ6[3:0]    |      |                |             | GPIOSEQ5[3:0] |               |      |      |

## Register Details

### [INTERRUPT \(0x00\)](#)

| BIT                | 7                  | 6                                                                           | 5                  | 4                  | 3                                                                                                                                       | 2                  | 1                  | 0                  |
|--------------------|--------------------|-----------------------------------------------------------------------------|--------------------|--------------------|-----------------------------------------------------------------------------------------------------------------------------------------|--------------------|--------------------|--------------------|
| <b>Field</b>       | TJ_I               | SYSUV_I                                                                     | FLT_I              | SCPWRN_I           | RSVD                                                                                                                                    | GPIO_I             | LDOPOK_I           | BPOK_I             |
| <b>Reset</b>       | 0b0                | 0b0                                                                         | 0b0                | 0b0                | 0b0                                                                                                                                     | 0b0                | 0b0                | 0b0                |
| <b>Access Type</b> | Read<br>Clears All | Read<br>Clears All                                                          | Read<br>Clears All | Read<br>Clears All | Read<br>Clears All                                                                                                                      | Read<br>Clears All | Read<br>Clears All | Read<br>Clears All |
| BITFIELD           | BITS               | DESCRIPTION                                                                 |                    |                    | DECODE                                                                                                                                  |                    |                    |                    |
| TJ_I               | 7                  | Thermal Status Interrupt. Operation of this interrupt is affected by FTPEN. |                    |                    | 0 = Die temperature has not risen. TJ_S[1:0] digital code has not increased.<br>1 = Die temperature has risen. TJ_S[1:0] has increased. |                    |                    |                    |
| SYSUV_I            | 6                  | SYS Undervoltage Lockout Interrupt                                          |                    |                    | 0 = SYS has not fallen below V <sub>UVLO_F</sub> .<br>1 = SYS has fallen below V <sub>UVLO_F</sub> . SYSUV has changed to 1.            |                    |                    |                    |
| FLT_I              | 5                  | Fault Interrupt                                                             |                    |                    | 0 = No fault happened.<br>1 = Fault happened. FLT has changed to 1.                                                                     |                    |                    |                    |

| BITFIELD | BITS | DESCRIPTION                                                              | DECODE                                                                                                                                                                                                                                |
|----------|------|--------------------------------------------------------------------------|---------------------------------------------------------------------------------------------------------------------------------------------------------------------------------------------------------------------------------------|
| SCPWRN_I | 4    | Short-Circuit Protection Warning Interrupt                               | 0 = No Short-Circuit Warning happened.<br>1 = Short-Circuit Warning happened. SCPWRN has changed to 1.                                                                                                                                |
| RSVD     | 3    | Reserved. Reads back 0.                                                  | N/A                                                                                                                                                                                                                                   |
| GPIO_I   | 2    | GPIO Logic State Change Interrupt                                        | 0 = None of the bits in the GPIO_INT register have changed state.<br>1 = At least one of the bits in the GPIO_INT register has changed.                                                                                               |
| LDOPOK_I | 1    | LDO Power-OK Interrupt. Disabling the LDO does not cause an interrupt.   | 0 = The LDO has not fallen below $V_{POK_{LDO-F}}$ .<br>1 = The LDO has fallen below $V_{POK_{LDO-F}}$ . The LDO is enabled and LDOPOK has changed to 0.                                                                              |
| BPOK_I   | 0    | Buck Power-OK Interrupt. Disabling any buck does not cause an interrupt. | 0 = All unmasked and enabled buck(s) have not fallen below $V_{POK-F}$ .<br>1 = One or more unmasked and enabled buck(s) have fallen below the power-OK threshold ( $V_{POK-F}$ ). One or more BPOKx bits changed to 0 while enabled. |

**GLBL\_STATUS\_A (0x01)**

| BIT         | 7         | 6         | 5         | 4         | 3         | 2         | 1         | 0         |
|-------------|-----------|-----------|-----------|-----------|-----------|-----------|-----------|-----------|
| Field       | RNGLOCK   | SYSUV     | FLT       | SCPWRN    | BPOK4     | BPOK3     | BPOK2     | BPOK1     |
| Reset       | OTP       | 0b0       | 0b0       | 0b0       | 0b0       | 0b0       | 0b0       | 0b0       |
| Access Type | Read Only | Read Only | Read Only | Read Only | Read Only | Read Only | Read Only | Read Only |

| BITFIELD | BITS | DESCRIPTION                                                                                                                                                                                            | DECODE                                                                                                                                                                                                                                                                               |
|----------|------|--------------------------------------------------------------------------------------------------------------------------------------------------------------------------------------------------------|--------------------------------------------------------------------------------------------------------------------------------------------------------------------------------------------------------------------------------------------------------------------------------------|
| RNGLOCK  | 7    | Factory-set safety bit for all buck output voltage range control bits (RNGx).                                                                                                                          | 0 = RNGx can be changed.<br>1 = RNGx can not be changed. Writes to RNGx are ignored.                                                                                                                                                                                                 |
| SYSUV    | 6    | SYS Undervoltage Lockout Status                                                                                                                                                                        | 0 = $V_{SYS}$ is OK.<br>1 = $V_{SYS} < V_{UVLO\_F}$                                                                                                                                                                                                                                  |
| FLT      | 5    | Short-Circuit Protection (SCP) and Over-Temperature Lockout (OTLO) Fault Status. This bit indicates the IC is latched in a fault state. Clear the fault state according to <a href="#">Figure 10</a> . | 0 = No SCP or OTLO fault. This IC has not detected a short in any buck regulator and the junction temperature has remained below $T_{OTLO}$ .<br>1 = SCP or OTLO fault. This IC detected a short in at least one buck regulator or $T_J > T_{OTLO}$ . This IC is pulling nRSTIO low. |
| SCPWRN   | 4    | Short-Circuit Protection Warning Status                                                                                                                                                                | 0 = No Short-Circuit Warning. This IC is not in the short-circuit warning state.<br>1 = Short-Circuit Warning. This IC is in the short-circuit warning state.                                                                                                                        |
| BPOK4    | 3    | Buck 4 Power-OK Status                                                                                                                                                                                 | 0 = Output not OK ( $V_{OUT4} < V_{POK-F}$ ) or disabled.<br>1 = Output OK ( $V_{OUT4} > V_{POK-R}$ ).                                                                                                                                                                               |
| BPOK3    | 2    | Buck 3 Power-OK Status                                                                                                                                                                                 | 0 = Output not OK ( $V_{OUT3} < V_{POK-F}$ ) or disabled.<br>1 = Output OK ( $V_{OUT3} > V_{POK-R}$ ).                                                                                                                                                                               |
| BPOK2    | 1    | Buck 2 Power-OK Status                                                                                                                                                                                 | 0 = Output not OK ( $V_{OUT2} < V_{POK-F}$ ) or disabled.<br>1 = Output OK ( $V_{OUT2} > V_{POK-R}$ ).                                                                                                                                                                               |
| BPOK1    | 0    | Buck 1 Power-OK Status                                                                                                                                                                                 | 0 = Output not OK ( $V_{OUT1} < V_{POK-F}$ ) or disabled.<br>1 = Output OK ( $V_{OUT1} > V_{POK-R}$ ).                                                                                                                                                                               |

GLBL\_STATUS\_B (0x02)

| BIT         | 7         | 6         | 5          | 4 | 3         | 2 | 1         | 0         |
|-------------|-----------|-----------|------------|---|-----------|---|-----------|-----------|
| Field       | GPILOCK   | IRQ_S     | FPS_S[1:0] |   | TJ_S[1:0] |   | LDOPOK    | nRSTIO_S  |
| Reset       | OTP       | 0b0       | 0b00       |   | 0b00      |   | 0b0       | 0b0       |
| Access Type | Read Only | Read Only | Read Only  |   | Read Only |   | Read Only | Read Only |

| BITFIELD | BITS | DESCRIPTION                                                                                                                                                                                                                                                                                | DECODE                                                                                                                                                                                                                                 |
|----------|------|--------------------------------------------------------------------------------------------------------------------------------------------------------------------------------------------------------------------------------------------------------------------------------------------|----------------------------------------------------------------------------------------------------------------------------------------------------------------------------------------------------------------------------------------|
| GPILOCK  | 7    | Factory-set safety bit for all GPIO functions. Determines if the function assignment of the GPIOs can be changed by serial writes.                                                                                                                                                         | 0 = FUNCx[2:0] and BSELx[1:0] can be changed.<br>1 = FUNCx[2:0] and BSELx[1:0] can not be changed. Writes to these bitfields are ignored.                                                                                              |
| IRQ_S    | 6    | Interrupt Status. Continuous <i>inverted</i> software mirror of the nIRQ pin as if all interrupts were unmasked.                                                                                                                                                                           | 0 = No interrupts pending. nIRQ would be high if all interrupts were unmasked.<br>1 = Interrupts pending. nIRQ would be low if all interrupts were unmasked.                                                                           |
| FPS_S    | 5:4  | Flexible Power Sequencer (FPS) Status                                                                                                                                                                                                                                                      | 00 = FPS is off.<br>01 = FPS in in power-up sequence.<br>10 = FPS is in power-down sequence.<br>11 = FPS is on.                                                                                                                        |
| TJ_S     | 3:2  | Junction Temperature (T <sub>J</sub> ) Status. Operation of this status is affected by FTPEN.<br><br>If FPTEN = 1, this bitfield always works and thermal protection is continuously active regardless of buck enable.<br>If FTPEN = 0, this bitfield only works when any buck is enabled. | 00 = No Alarm (T <sub>J</sub> < 120°C)<br>01 = Thermal Alarm 1 (120°C < T <sub>J</sub> < 140°C)<br>10 = Thermal Alarm 2 (140°C < T <sub>J</sub> < 165°C)<br>11 = OTLO (T <sub>J</sub> > 165°C). This condition causes fault (FLT = 1). |
| LDOPOK   | 1    | LDO Power-OK Status                                                                                                                                                                                                                                                                        | 0 = LDO output not OK (V <sub>LDO</sub> < V <sub>LDOPOK-F</sub> ) or disabled<br>1 = LDO output OK (V <sub>LDO</sub> > V <sub>LDOPOK-R</sub> )                                                                                         |
| nRSTIO_S | 0    | Reset I/O (nRSTIO) Status. Continuously mirrors the debounced logic status of the nRSTIO pin.                                                                                                                                                                                              | 0 = nRSTIO is logic-low.<br>1 = nRSTIO is logic-high.                                                                                                                                                                                  |

GPIO\_STATUS (0x03)

| BIT         | 7         | 6         | 5         | 4         | 3         | 2         | 1         | 0         |
|-------------|-----------|-----------|-----------|-----------|-----------|-----------|-----------|-----------|
| Field       | RSVD      | RSVD      | GPIO_DI6  | GPIO_DI5  | GPIO_DI4  | GPIO_DI3  | GPIO_DI2  | GPIO_DI1  |
| Reset       | 0b0       | 0b0       | 0b0       | 0b0       | 0b0       | 0b0       | 0b0       | 0b0       |
| Access Type | Read Only | Read Only | Read Only | Read Only | Read Only | Read Only | Read Only | Read Only |

| BITFIELD | BITS | DESCRIPTION                                                                                         | DECODE                                      |
|----------|------|-----------------------------------------------------------------------------------------------------|---------------------------------------------|
| RSVD     | 7    | Reserved. Reads back 0.                                                                             | N/A                                         |
| RSVD     | 6    | Reserved. Reads back 0.                                                                             | N/A                                         |
| GPIO_DI6 | 5    | GPIO6 Digital Input Value. Reflects the debounced status of the GPIO when DIR6[1:0] = 0b10 or 0b11. | 0 = Input logic low<br>1 = Input logic high |
| GPIO_DI5 | 4    | GPIO5 Digital Input Value. Reflects the debounced status of the GPIO when DIR5[1:0] = 0b10 or 0b11. | 0 = Input logic low<br>1 = Input logic high |



| BITFIELD | BITS | DESCRIPTION                                                                                         | DECODE                                      |
|----------|------|-----------------------------------------------------------------------------------------------------|---------------------------------------------|
| GPIO_DI4 | 3    | GPIO4 Digital Input Value. Reflects the debounced status of the GPIO when DIR4[1:0] = 0b10 or 0b11. | 0 = Input logic low<br>1 = Input logic high |
| GPIO_DI3 | 2    | GPIO3 Digital Input Value. Reflects the debounced status of the GPIO when DIR3[1:0] = 0b10 or 0b11. | 0 = Input logic low<br>1 = Input logic high |
| GPIO_DI2 | 1    | GPIO2 Digital Input Value. Reflects the debounced status of the GPIO when DIR2[1:0] = 0b10 or 0b11. | 0 = Input logic low<br>1 = Input logic high |
| GPIO_DI1 | 0    | GPIO1 Digital Input Value. Reflects the debounced status of the GPIO when DIR1[1:0] = 0b10 or 0b11. | 0 = Input logic low<br>1 = Input logic high |

**CHIP\_DTLS\_A (0x04)**

| BIT         | 7         | 6 | 5 | 4 | 3         | 2 | 1 | 0 |
|-------------|-----------|---|---|---|-----------|---|---|---|
| Field       | RSVD[3:0] |   |   |   | RSVD[3:0] |   |   |   |
| Reset       | 0b0000    |   |   |   | 0b0010    |   |   |   |
| Access Type | Read Only |   |   |   | Read Only |   |   |   |

| BITFIELD | BITS | DESCRIPTION                           | DECODE |
|----------|------|---------------------------------------|--------|
| RSVD     | 7:4  | Reserved. Reads back 0b0000.          | N/A    |
| RSVD     | 3:0  | Reserved. Bits for internal use only. | N/A    |

**CHIP\_DTLS\_B (0x05)**

| BIT         | 7           | 6 | 5 | 4 | 3         | 2 | 1 | 0 |
|-------------|-------------|---|---|---|-----------|---|---|---|
| Field       | PHCFGS[3:0] |   |   |   | CID[3:0]  |   |   |   |
| Reset       | 0b0000      |   |   |   | OTP       |   |   |   |
| Access Type | Read Only   |   |   |   | Read Only |   |   |   |

| BITFIELD | BITS | DESCRIPTION                                                                                                                       | DECODE                                                                                                                                                                                                                                                                                                                                                                                                                                                                                         |
|----------|------|-----------------------------------------------------------------------------------------------------------------------------------|------------------------------------------------------------------------------------------------------------------------------------------------------------------------------------------------------------------------------------------------------------------------------------------------------------------------------------------------------------------------------------------------------------------------------------------------------------------------------------------------|
| PHCFGS   | 7:4  | Phase Configuration Status. Indicates the latched phase ( $\Phi$ ) configuration from the [PHCFG1,PHCFG0] tri-state logic inputs. | 0000 = [0,0] 4 $\Phi$<br>0001 = [0,1] 3 $\Phi$ + 1 $\Phi$<br>0010 = [0,Z] 2 $\Phi$ + 2 $\Phi$<br>0011 = Invalid<br>0100 = [1,0] 2 $\Phi$ + 1 $\Phi$ + 1 $\Phi$<br>0101 = [1,1] 2 $\Phi$ + 1 $\Phi$ + 1 $\Phi$<br>0110 = [1,Z] 1 $\Phi$ + 1 $\Phi$ + 1 $\Phi$ + 1 $\Phi$<br>0111 = Invalid<br>1000 = [Z,0] 1 $\Phi$ + 1 $\Phi$ + 1 $\Phi$ + 1 $\Phi$<br>1001 = [Z,1] 1 $\Phi$ + 1 $\Phi$ + 1 $\Phi$ + 1 $\Phi$<br>1010 = [Z,Z] 1 $\Phi$ + 1 $\Phi$ + 1 $\Phi$ + 1 $\Phi$<br>1011-1111 = Invalid |

| BITFIELD | BITS | DESCRIPTION                                                                                               | DECODE                                                                                                                                                                                                   |
|----------|------|-----------------------------------------------------------------------------------------------------------|----------------------------------------------------------------------------------------------------------------------------------------------------------------------------------------------------------|
| CID      | 3:0  | Chip Identification Code for OTP Options. Refer to the <i>Ordering Information</i> for production status. | 0x0 = MAX77711A<br>0x2 = MAX77711B<br>0x4 = MAX77711C<br>0x5 = MAX77711D<br><br>0x1 = MAX77511A<br>0x7 = MAX77511M<br>0x8 = MAX77511R<br>0x9 = MAX77511L<br><br>All other codes reserved for future use. |

**GLBL\_CNFG\_A (0x06)**

| BIT         | 7            | 6 | 5 | 4           | 3               | 2 | 1                 | 0 |
|-------------|--------------|---|---|-------------|-----------------|---|-------------------|---|
| Field       | MUX_SEL[2:0] |   |   | FVLEN       | FPS_SLOT_T[1:0] |   | SCPWARN_TIME[1:0] |   |
| Reset       | 0b000        |   |   | OTP         | OTP             |   | OTP               |   |
| Access Type | Write, Read  |   |   | Write, Read | Write, Read     |   | Write, Read       |   |

| BITFIELD     | BITS | DESCRIPTION                                                                                                                                                                                                  | DECODE                                                                                                                                                                                                          |
|--------------|------|--------------------------------------------------------------------------------------------------------------------------------------------------------------------------------------------------------------|-----------------------------------------------------------------------------------------------------------------------------------------------------------------------------------------------------------------|
| MUX_SEL      | 7:5  | DC Current Monitor Selection                                                                                                                                                                                 | 000 = Multiplexer is disabled and AMUX is high-impedance.<br>001 = Phase 1 Current Monitor.<br>010 = Phase 2 Current Monitor.<br>011 = Phase 3 Current Monitor.<br>100 - 111 = Phase 4 Current Monitor.         |
| FVLEN        | 4    | Force $V_{L13}$ and $V_{L24}$ Pre-Enable Control. Clear this bit to reduce standby supply current ( $I_{STNDBY}$ ). Set this bit to shorten buck startup delay time ( $t_{SUDLY}$ ).                         | 0 = The $V_{L13}/V_{L24}$ regulators are not forced pre-enabled. $V_{L13}/V_{L24}$ automatically turn on when needed.<br>1 = The $V_{L13}/V_{L24}$ regulators are forced pre-enabled regardless of buck enable. |
| FPS_SLOT_T   | 3:2  | Flexible Power Sequencer Slot Pitch Control. Sets $t_{SLOT}$ (time between startup slots).                                                                                                                   | 00 = 0.625ms<br>01 = 1.25ms<br>10 = 2.5ms<br>11 = 5ms                                                                                                                                                           |
| SCPWARN_TIME | 1:0  | Short-Circuit Protection Shutdown Timer. Sets $t_{SFTSHRT}$ . The IC shuts down all outputs and drives $nRSTIO$ low if any enabled buck output remains less than 80% of target output voltage for this time. | 00 = Timer disabled (infinity)<br>01 = 25ms<br>10 = 50ms<br>11 = 100ms                                                                                                                                          |

**GLBL\_CNFG\_B (0x07)**

| BIT         | 7           | 6           | 5           | 4             | 3           | 2 | 1 | 0 |
|-------------|-------------|-------------|-------------|---------------|-------------|---|---|---|
| Field       | TJ_IM       | SYSUV_IM    | FLT_IM      | SCPWRN_I<br>M | RSVD[3:0]   |   |   |   |
| Reset       | 0b1         | 0b1         | 0b1         | 0b1           | 0b0000      |   |   |   |
| Access Type | Write, Read | Write, Read | Write, Read | Write, Read   | Write, Read |   |   |   |

| BITFIELD | BITS | DESCRIPTION                   | DECODE                                       |
|----------|------|-------------------------------|----------------------------------------------|
| TJ_IM    | 7    | Thermal Status Interrupt Mask | 0 = TJ_I is unmasked.<br>1 = TJ_I is masked. |

| BITFIELD      | BITS | DESCRIPTION                                        | DECODE                                               |
|---------------|------|----------------------------------------------------|------------------------------------------------------|
| SYSUV_IM      | 6    | SYS Undervoltage Lockout Interrupt Mask            | 0 = SYSUV_I is unmasked.<br>1 = SYSUV_I is masked.   |
| FLT_IM        | 5    | Fault Protection Interrupt Mask                    | 0 = FLT_I is unmasked.<br>1 = FLT_I is masked.       |
| SCPWRN_I<br>M | 4    | Short-Circuit Protection Warning Interrupt<br>Mask | 0 = SCPWRN_I is unmasked.<br>1 = SCPWRN_I is masked. |
| RSVD          | 3:0  | Reserved. Bitfield is a <i>don't care</i> .        | N/A                                                  |

**GLBL\_CNFG\_C (0x08)**

| BIT            | 7           | 6 | 5 | 4 | 3 | 2 | 1 | 0           |
|----------------|-------------|---|---|---|---|---|---|-------------|
| Field          | RSVD[6:0]   |   |   |   |   |   |   | FTPEN       |
| Reset          | 0b0000000   |   |   |   |   |   |   | 0b0         |
| Access<br>Type | Write, Read |   |   |   |   |   |   | Write, Read |

| BITFIELD | BITS | DESCRIPTION                                 | DECODE                                                                                                                                          |
|----------|------|---------------------------------------------|-------------------------------------------------------------------------------------------------------------------------------------------------|
| RSVD     | 7:1  | Reserved. Bitfield is a <i>don't care</i> . | N/A                                                                                                                                             |
| FTPEN    | 0    | Force Thermal Protection Enable             | 0 = Thermal protection automatically enables when any buck enables.<br>1 = Thermal protection is always enabled even if all bucks are disabled. |

**B1\_CNFG\_A (0x10)**

| BIT            | 7           | 6 | 5           | 4 | 3           | 2 | 1 | 0 |
|----------------|-------------|---|-------------|---|-------------|---|---|---|
| Field          | ILIM1[1:0]  |   | MODE1[1:0]  |   | BEN1[3:0]   |   |   |   |
| Reset          | OTP         |   | 0b01        |   | OTP         |   |   |   |
| Access<br>Type | Write, Read |   | Write, Read |   | Write, Read |   |   |   |

| BITFIELD | BITS | DESCRIPTION                                                                                                                                                                                | DECODE                                                                   |
|----------|------|--------------------------------------------------------------------------------------------------------------------------------------------------------------------------------------------|--------------------------------------------------------------------------|
| ILIM1    | 7:6  | Buck 1 Peak Inductor Current Limit Control. Sets $I_{PEAK-HS}$ for all buck 1 phases.                                                                                                      | 00 = 1.5A<br>01 = 2.25A<br>10 = 3.0A<br>11 = 4.5A                        |
| MODE1    | 5:4  | Buck 1 Mode Control. Turbo SKIP is the recommended default setting. Use SKIP mode when loads are expected <10mA/phase. Use FPWM mode for the highest $V_{OUT}$ accuracy and lowest ripple. | 00 = SKIP Mode<br>01 = Turbo SKIP Mode<br>10-11 = Forced-PWM (FPWM) Mode |

| BITFIELD | BITS | DESCRIPTION                                                                                                             | DECODE                                                                                                                                                                                                                                                                                                                      |
|----------|------|-------------------------------------------------------------------------------------------------------------------------|-----------------------------------------------------------------------------------------------------------------------------------------------------------------------------------------------------------------------------------------------------------------------------------------------------------------------------|
| BEN1     | 3:0  | Buck 1 Enable Control. Hardware enable inputs (using GPIO) are a logical OR with the control output from this bitfield. | 0000 = Disabled<br>0001 = Enabled<br>0010 = FPS Slot 1<br>0011 = FPS Slot 2<br>0100 = FPS Slot 3<br>0101 = FPS Slot 4<br>0110 = FPS Slot 5<br>0111 = FPS Slot 6<br>1000 = FPS Slot 7<br>1001 = FPS Slot 8<br>1010 = FPS Slot 9<br>1011 = FPS Slot 10<br>1100 = FPS Slot 11<br>1101 = FPS Slot 12<br>1110-1111 = FPS Slot 12 |

**B1\_CNFG\_B (0x11)**

| BIT         | 7           | 6           | 5              | 4 | 3           | 2             | 1 | 0 |
|-------------|-------------|-------------|----------------|---|-------------|---------------|---|---|
| Field       | BPOK1_IM    | ADEN1       | SPECTMOD1[1:0] |   | FSREN1      | SFTUPDN1[2:0] |   |   |
| Reset       | 0b1         | 0b1         | 0b00           |   | 0b1         | OTP           |   |   |
| Access Type | Write, Read | Write, Read | Write, Read    |   | Write, Read | Write, Read   |   |   |

| BITFIELD  | BITS | DESCRIPTION                                                                                                                                                                                         | DECODE                                                                                                                                                                                              |
|-----------|------|-----------------------------------------------------------------------------------------------------------------------------------------------------------------------------------------------------|-----------------------------------------------------------------------------------------------------------------------------------------------------------------------------------------------------|
| BPOK1_IM  | 7    | Buck 1 POK Interrupt Mask                                                                                                                                                                           | 0 = Unmasked. The buck power-OK interrupt (BPOK_I) asserts when buck 1 is enabled and BPOK1 changes from 1 to 0.<br>1 = Masked. The buck power-OK interrupt (BPOK_I) does not assert due to buck 1. |
| ADEN1     | 6    | Buck 1 Active Discharge Resistor Enable                                                                                                                                                             | 0 = Disabled<br>1 = Enabled                                                                                                                                                                         |
| SPECTMOD1 | 5:4  | Buck 1 Pseudo-Random Spread-Spectrum Modulation Profile. Sets the modulation frequency (FSSMOD) and envelope. Buck 1 FSSMOD is further modified by a multiplication factor set by FSSMOD_MUL1[1:0]. | 00 = Disabled (no spread-spectrum)<br>01 = Profile 1 (3kHz, ±8% envelope)<br>10 = Profile 2 (5kHz, ±8% envelope)<br>11 = Profile 3 (7kHz, ±8% envelope)                                             |
| FSREN1    | 3    | Buck 1 Falling Slew Rate Enable                                                                                                                                                                     | 0 = Strictly follows MODE1[1:0] at all times.<br>1 = Automatically enters forced-PWM mode for DVS and soft-stop events.                                                                             |
| SFTUPDN1  | 2:0  | Buck 1 Soft-Start/Stop Ramp Rate Control. V <sub>OUT1</sub> increases/decreases with this slope whenever the buck is enabled or disabled.                                                           | 000 = ±0.15mV/µs<br>001 = ±0.625mV/µs<br>010 = ±1.25mV/µs<br>011 = ±2.5mV/µs<br>100 = ±5mV/µs<br>101 = ±10mV/µs<br>110 = ±20mV/µs<br>111 = ±40mV/µs                                                 |

**B1\_CNFG\_C (0x12)**

| BIT         | 7           | 6           | 5             | 4 | 3 | 2             | 1 | 0 |
|-------------|-------------|-------------|---------------|---|---|---------------|---|---|
| Field       | RSVD        | RNG1        | DVSRISE1[2:0] |   |   | DVSFALL1[2:0] |   |   |
| Reset       | 0b0         | OTP         | 0b000         |   |   | 0b000         |   |   |
| Access Type | Write, Read | Write, Read | Write, Read   |   |   | Write, Read   |   |   |

| BITFIELD | BITS | DESCRIPTION                                                                                                                                          | DECODE                                                                                                                                              |
|----------|------|------------------------------------------------------------------------------------------------------------------------------------------------------|-----------------------------------------------------------------------------------------------------------------------------------------------------|
| RSVD     | 7    | Reserved. Bit is a <i>don't care</i> .                                                                                                               | N/A                                                                                                                                                 |
| RNG1     | 6    | Buck 1 Output Voltage Range Control. Sets the output voltage range of VOUTREG1[7:0] and VOUTREGDVS1[1:0].                                            | 0 = (Low-range) 0.25V to 1.3V in 5mV steps<br>1 = (High-range) 1V to 5.2V in 20mV steps                                                             |
| DVSRISE1 | 5:3  | Buck 1 DVS Rising Ramp Rate Control. V <sub>OUT1</sub> increases with this slope whenever the output voltage is modified while the buck is enabled.  | 000 = +0.15mV/μs<br>001 = +0.625mV/μs<br>010 = +1.25mV/μs<br>011 = +2.5mV/μs<br>100 = +5mV/μs<br>101 = +10mV/μs<br>110 = +20mV/μs<br>111 = +40mV/μs |
| DVSFALL1 | 2:0  | Buck 1 DVS Falling Ramp Rate Control. V <sub>OUT1</sub> decreases with this slope whenever the output voltage is modified while the buck is enabled. | 000 = -0.15mV/μs<br>001 = -0.625mV/μs<br>010 = -1.25mV/μs<br>011 = -2.5mV/μs<br>100 = -5mV/μs<br>101 = -10mV/μs<br>110 = -20mV/μs<br>111 = -40mV/μs |

**B1\_CNFG\_D (0x13)**

| BIT         | 7             | 6 | 5 | 4 | 3 | 2 | 1 | 0 |
|-------------|---------------|---|---|---|---|---|---|---|
| Field       | VOUTREG1[7:0] |   |   |   |   |   |   |   |
| Reset       | OTP           |   |   |   |   |   |   |   |
| Access Type | Write, Read   |   |   |   |   |   |   |   |

| BITFIELD | BITS | DESCRIPTION                                                                                                                                                                                                                             | DECODE                                                                                                                                                                                                                        |
|----------|------|-----------------------------------------------------------------------------------------------------------------------------------------------------------------------------------------------------------------------------------------|-------------------------------------------------------------------------------------------------------------------------------------------------------------------------------------------------------------------------------|
| VOUTREG1 | 7:0  | Buck 1 Output Voltage Control while DVS1 = 0.<br><br>If no GPIO is assigned as a special-function DVS input for this buck, then DVS1 = 0 always.<br><br>Valid codes between 0x00 and 0xD2 (inclusive). Writes above 0xD2 clamp to 0xD2. | <b>If RNG1 = 0 (low-range):</b><br>5mV/LSB in a linear transfer function between 0x00 (0.25V) and 0xD2 (1.3V)<br><b>If RNG1 = 1 (high-range):</b><br>20mV/LSB in a linear transfer function between 0x00 (1V) and 0xD2 (5.2V) |

**B1\_CNFG\_E (0x14)**

| BIT         | 7                | 6 | 5 | 4 | 3 | 2 | 1 | 0 |
|-------------|------------------|---|---|---|---|---|---|---|
| Field       | VOUTREGDVS1[7:0] |   |   |   |   |   |   |   |
| Reset       | 0x00             |   |   |   |   |   |   |   |
| Access Type | Write, Read      |   |   |   |   |   |   |   |

| BITFIELD    | BITS | DESCRIPTION                                                                                                                                                                                                                                                                             | DECODE                                                                                                                                                                                                                                     |
|-------------|------|-----------------------------------------------------------------------------------------------------------------------------------------------------------------------------------------------------------------------------------------------------------------------------------------|--------------------------------------------------------------------------------------------------------------------------------------------------------------------------------------------------------------------------------------------|
| VOUTREGDVS1 | 7:0  | <p>Buck 1 Output Voltage Control while DVS1 = 1.</p> <p>If no GPIO is assigned as a special-function DVS input for this buck, then DVS1 = 0 always and this register is a <i>don't care</i>.</p> <p>Valid codes between 0x00 and 0xD2 (inclusive). Writes above 0xD2 clamp to 0xD2.</p> | <p><b>If RNG1 = 0 (low-range):</b><br/>5mV/LSB in a linear transfer function between 0x00 (0.25V) and 0xD2 (1.3V)</p> <p><b>If RNG1 = 1 (high-range):</b><br/>20mV/LSB in a linear transfer function between 0x00 (1V) and 0xD2 (5.2V)</p> |

**B2\_CNFG\_A (0x20)**

| BIT         | 7           | 6 | 5           | 4 | 3           | 2 | 1 | 0 |
|-------------|-------------|---|-------------|---|-------------|---|---|---|
| Field       | ILIM2[1:0]  |   | MODE2[1:0]  |   | BEN2[3:0]   |   |   |   |
| Reset       | OTP         |   | 0b01        |   | OTP         |   |   |   |
| Access Type | Write, Read |   | Write, Read |   | Write, Read |   |   |   |

| BITFIELD | BITS | DESCRIPTION                                                                                                                                                                                       | DECODE                                                                                                                                                                                                                                                                                                                      |
|----------|------|---------------------------------------------------------------------------------------------------------------------------------------------------------------------------------------------------|-----------------------------------------------------------------------------------------------------------------------------------------------------------------------------------------------------------------------------------------------------------------------------------------------------------------------------|
| ILIM2    | 7:6  | Buck 2 Peak Inductor Current Limit Control. Sets I <sub>PEAK-HS</sub> for all buck 2 phases.                                                                                                      | 00 = 1.5A<br>01 = 2.25A<br>10 = 3.0A<br>11 = 4.5A                                                                                                                                                                                                                                                                           |
| MODE2    | 5:4  | Buck 2 Mode Control. Turbo SKIP is the recommended default setting. Use SKIP mode when loads are expected <10mA/phase. Use FPWM mode for the highest V <sub>OUT</sub> accuracy and lowest ripple. | 00 = SKIP Mode<br>01 = Turbo SKIP Mode<br>10-11 = Forced-PWM (FPWM) Mode                                                                                                                                                                                                                                                    |
| BEN2     | 3:0  | <p>Buck 2 Enable Control</p> <p>Hardware enable inputs (using GPIO) are a logical OR with the control output from this bitfield.</p>                                                              | 0000 = Disabled<br>0001 = Enabled<br>0010 = FPS Slot 1<br>0011 = FPS Slot 2<br>0100 = FPS Slot 3<br>0101 = FPS Slot 4<br>0110 = FPS Slot 5<br>0111 = FPS Slot 6<br>1000 = FPS Slot 7<br>1001 = FPS Slot 8<br>1010 = FPS Slot 9<br>1011 = FPS Slot 10<br>1100 = FPS Slot 11<br>1101 = FPS Slot 12<br>1110-1111 = FPS Slot 12 |

**B2\_CNFG\_B (0x21)**

| BIT         | 7           | 6           | 5              | 4 | 3           | 2             | 1 | 0 |
|-------------|-------------|-------------|----------------|---|-------------|---------------|---|---|
| Field       | BPOK2_IM    | ADEN2       | SPECTMOD2[1:0] |   | FSREN2      | SFTUPDN2[2:0] |   |   |
| Reset       | 0b1         | 0b1         | 0b00           |   | 0b1         | OTP           |   |   |
| Access Type | Write, Read | Write, Read | Write, Read    |   | Write, Read | Write, Read   |   |   |

| BITFIELD  | BITS | DESCRIPTION                                                                                                                                                                                                        | DECODE                                                                                                                                                                                                                                                                                                                      |
|-----------|------|--------------------------------------------------------------------------------------------------------------------------------------------------------------------------------------------------------------------|-----------------------------------------------------------------------------------------------------------------------------------------------------------------------------------------------------------------------------------------------------------------------------------------------------------------------------|
| BPOK2_IM  | 7    | Buck 2 POK Interrupt Mask                                                                                                                                                                                          | 0 = Unmasked. The buck power-OK interrupt (BPOK_I) asserts when buck 2 is enabled and BPOK2 changes from 1 to 0.<br>1 = Masked. The buck power-OK interrupt (BPOK_I) does not assert due to buck 2.                                                                                                                         |
| ADEN2     | 6    | Buck 2 Active Discharge Resistor Enable                                                                                                                                                                            | 0 = Disabled<br>1 = Enabled                                                                                                                                                                                                                                                                                                 |
| SPECTMOD2 | 5:4  | Buck 2 Pseudo-Random Spread-Spectrum Modulation Profile. Sets the modulation frequency ( $F_{SSMOD}$ ) and envelope. Buck 2 $F_{SSMOD}$ is by further modified by a multiplication factor set by FSSMOD_MUL2[1:0]. | 00 = Disabled (no spread-spectrum)<br>01 = Profile 1 (3kHz, $\pm 8\%$ envelope)<br>10 = Profile 2 (5kHz, $\pm 8\%$ envelope)<br>11 = Profile 3 (7kHz, $\pm 8\%$ envelope)                                                                                                                                                   |
| FSREN2    | 3    | Buck 2 Falling Slew Rate Enable                                                                                                                                                                                    | 0 = Strictly follows MODE2[1:0] at all times.<br>1 = Automatically enters forced-PWM mode for DVS and soft-stop events.                                                                                                                                                                                                     |
| SFTUPDN2  | 2:0  | Buck 2 Soft-Start/Stop Ramp Rate Control. $V_{OUT2}$ increases/decreases with this slope whenever the buck is enabled or disabled.                                                                                 | 000 = $\pm 0.15\text{mV}/\mu\text{s}$<br>001 = $\pm 0.625\text{mV}/\mu\text{s}$<br>010 = $\pm 1.25\text{mV}/\mu\text{s}$<br>011 = $\pm 2.5\text{mV}/\mu\text{s}$<br>100 = $\pm 5\text{mV}/\mu\text{s}$<br>101 = $\pm 10\text{mV}/\mu\text{s}$<br>110 = $\pm 20\text{mV}/\mu\text{s}$<br>111 = $\pm 40\text{mV}/\mu\text{s}$ |

**B2\_CNFG\_C (0x22)**

| BIT         | 7           | 6           | 5             | 4 | 3 | 2             | 1 | 0 |
|-------------|-------------|-------------|---------------|---|---|---------------|---|---|
| Field       | RSVD        | RNG2        | DVSRISE2[2:0] |   |   | DVSFALL2[2:0] |   |   |
| Reset       | 0b0         | OTP         | 0b000         |   |   | 0b000         |   |   |
| Access Type | Write, Read | Write, Read | Write, Read   |   |   | Write, Read   |   |   |

| BITFIELD | BITS | DESCRIPTION                                                                                               | DECODE                                                                                  |
|----------|------|-----------------------------------------------------------------------------------------------------------|-----------------------------------------------------------------------------------------|
| RSVD     | 7    | Reserved. Bit is a <i>don't care</i> .                                                                    | N/A                                                                                     |
| RNG2     | 6    | Buck 2 Output Voltage Range Control. Sets the output voltage range of VOUTREG2[7:0] and VOUTREGDVS2[1:0]. | 0 = (Low-range) 0.25V to 1.3V in 5mV steps<br>1 = (High-range) 1V to 5.2V in 20mV steps |

| BITFIELD | BITS | DESCRIPTION                                                                                                                                   | DECODE                                                                                                                                                                                              |
|----------|------|-----------------------------------------------------------------------------------------------------------------------------------------------|-----------------------------------------------------------------------------------------------------------------------------------------------------------------------------------------------------|
| DVSRISE2 | 5:3  | Buck 2 DVS Rising Ramp Rate Control. $V_{OUT2}$ increases with this slope whenever the output voltage is modified while the buck is enabled.  | 000 = +0.15mV/ $\mu$ s<br>001 = +0.625mV/ $\mu$ s<br>010 = +1.25mV/ $\mu$ s<br>011 = +2.5mV/ $\mu$ s<br>100 = +5mV/ $\mu$ s<br>101 = +10mV/ $\mu$ s<br>110 = +20mV/ $\mu$ s<br>111 = +40mV/ $\mu$ s |
| DVSFALL2 | 2:0  | Buck 2 DVS Falling Ramp Rate Control. $V_{OUT2}$ decreases with this slope whenever the output voltage is modified while the buck is enabled. | 000 = -0.15mV/ $\mu$ s<br>001 = -0.625mV/ $\mu$ s<br>010 = -1.25mV/ $\mu$ s<br>011 = -2.5mV/ $\mu$ s<br>100 = -5mV/ $\mu$ s<br>101 = -10mV/ $\mu$ s<br>110 = -20mV/ $\mu$ s<br>111 = -40mV/ $\mu$ s |

**B2\_CNFG\_D (0x23)**

| BIT         | 7             | 6 | 5 | 4 | 3 | 2 | 1 | 0 |
|-------------|---------------|---|---|---|---|---|---|---|
| Field       | VOUTREG2[7:0] |   |   |   |   |   |   |   |
| Reset       | OTP           |   |   |   |   |   |   |   |
| Access Type | Write, Read   |   |   |   |   |   |   |   |

| BITFIELD | BITS | DESCRIPTION                                                                                                                                                                                                                             | DECODE                                                                                                                                                                                                                        |
|----------|------|-----------------------------------------------------------------------------------------------------------------------------------------------------------------------------------------------------------------------------------------|-------------------------------------------------------------------------------------------------------------------------------------------------------------------------------------------------------------------------------|
| VOUTREG2 | 7:0  | Buck 2 Output Voltage Control while DVS2 = 0.<br><br>If no GPIO is assigned as a special-function DVS input for this buck, then DVS2 = 0 always.<br><br>Valid codes between 0x00 and 0xD2 (inclusive). Writes above 0xD2 clamp to 0xD2. | <b>If RNG2 = 0 (low-range):</b><br>5mV/LSB in a linear transfer function between 0x00 (0.25V) and 0xD2 (1.3V)<br><b>If RNG2 = 1 (high-range):</b><br>20mV/LSB in a linear transfer function between 0x00 (1V) and 0xD2 (5.2V) |

**B2\_CNFG\_E (0x24)**

| BIT         | 7                | 6 | 5 | 4 | 3 | 2 | 1 | 0 |
|-------------|------------------|---|---|---|---|---|---|---|
| Field       | VOUTREGDVS2[7:0] |   |   |   |   |   |   |   |
| Reset       | 0x00             |   |   |   |   |   |   |   |
| Access Type | Write, Read      |   |   |   |   |   |   |   |



| BITFIELD     | BITS | DESCRIPTION                                                                                                                                                                                                                                                                       | DECODE                                                                                                                                                                                                                        |
|--------------|------|-----------------------------------------------------------------------------------------------------------------------------------------------------------------------------------------------------------------------------------------------------------------------------------|-------------------------------------------------------------------------------------------------------------------------------------------------------------------------------------------------------------------------------|
| VOUTREGD VS2 | 7:0  | Buck 2 Output Voltage Control while DVS2 = 1.<br><br>If no GPIO is assigned as a special-function DVS input for this buck, then DVS2 = 0 always and this register is a <i>don't care</i> .<br><br>Valid codes between 0x00 and 0xD2 (inclusive). Writes above 0xD2 clamp to 0xD2. | <b>If RNG2 = 0 (low-range):</b><br>5mV/LSB in a linear transfer function between 0x00 (0.25V) and 0xD2 (1.3V)<br><b>If RNG2 = 1 (high-range):</b><br>20mV/LSB in a linear transfer function between 0x00 (1V) and 0xD2 (5.2V) |

**B3\_CNFG\_A (0x30)**

| BIT         | 7           | 6 | 5           | 4 | 3           | 2 | 1 | 0 |
|-------------|-------------|---|-------------|---|-------------|---|---|---|
| Field       | ILIM3[1:0]  |   | MODE3[1:0]  |   | BEN3[3:0]   |   |   |   |
| Reset       | OTP         |   | 0b01        |   | OTP         |   |   |   |
| Access Type | Write, Read |   | Write, Read |   | Write, Read |   |   |   |

| BITFIELD | BITS | DESCRIPTION                                                                                                                                                                                       | DECODE                                                                                                                                                                                                                                                                                                                      |
|----------|------|---------------------------------------------------------------------------------------------------------------------------------------------------------------------------------------------------|-----------------------------------------------------------------------------------------------------------------------------------------------------------------------------------------------------------------------------------------------------------------------------------------------------------------------------|
| ILIM3    | 7:6  | Buck 3 Peak Inductor Current Limit Control. Sets I <sub>PEAK-HS</sub> for all buck 3 phases.                                                                                                      | 00 = 1.5A<br>01 = 2.25A<br>10 = 3.0A<br>11 = 4.5A                                                                                                                                                                                                                                                                           |
| MODE3    | 5:4  | Buck 3 Mode Control. Turbo SKIP is the recommended default setting. Use SKIP mode when loads are expected <10mA/phase. Use FPWM mode for the highest V <sub>OUT</sub> accuracy and lowest ripple. | 00 = SKIP Mode<br>01 = Turbo SKIP Mode<br>10-11 = Forced-PWM (FPWM) Mode                                                                                                                                                                                                                                                    |
| BEN3     | 3:0  | Buck 3 Enable Control<br><br>Hardware enable inputs (using GPIO) are a logical OR with the control output from this bitfield.                                                                     | 0000 = Disabled<br>0001 = Enabled<br>0010 = FPS Slot 1<br>0011 = FPS Slot 2<br>0100 = FPS Slot 3<br>0101 = FPS Slot 4<br>0110 = FPS Slot 5<br>0111 = FPS Slot 6<br>1000 = FPS Slot 7<br>1001 = FPS Slot 8<br>1010 = FPS Slot 9<br>1011 = FPS Slot 10<br>1100 = FPS Slot 11<br>1101 = FPS Slot 12<br>1110-1111 = FPS Slot 12 |

**B3\_CNFG\_B (0x31)**

| BIT         | 7           | 6           | 5              | 4 | 3           | 2             | 1 | 0 |
|-------------|-------------|-------------|----------------|---|-------------|---------------|---|---|
| Field       | BPOK3_IM    | ADEN3       | SPECTMOD3[1:0] |   | FSREN3      | SFTUPDN3[2:0] |   |   |
| Reset       | 0b1         | 0b1         | 0b00           |   | 0b1         | OTP           |   |   |
| Access Type | Write, Read | Write, Read | Write, Read    |   | Write, Read | Write, Read   |   |   |

| BITFIELD      | BITS | DESCRIPTION                                                                                                                                                                                                                  | DECODE                                                                                                                                                                                              |
|---------------|------|------------------------------------------------------------------------------------------------------------------------------------------------------------------------------------------------------------------------------|-----------------------------------------------------------------------------------------------------------------------------------------------------------------------------------------------------|
| BPOK3_IM      | 7    | Buck 3 POK Interrupt Mask                                                                                                                                                                                                    | 0 = Unmasked. The buck power-OK interrupt (BPOK_I) asserts when buck 3 is enabled and BPOK3 changes from 1 to 0.<br>1 = Masked. The buck power-OK interrupt (BPOK_I) does not assert due to buck 3. |
| ADEN3         | 6    | Buck 3 Active Discharge Resistor Enable                                                                                                                                                                                      | 0 = Disabled<br>1 = Enabled                                                                                                                                                                         |
| SPECTMOD<br>3 | 5:4  | Buck 3 Pseudo-Random Spread-Spectrum Modulation Profile. Sets the modulation frequency (F <sub>SSMOD</sub> ) and envelope. Buck 3 F <sub>SSMOD</sub> is further modified by a multiplication factor set by FSSMOD_MUL3[1:0]. | 00 = Disabled (no spread-spectrum)<br>01 = Profile 1 (3kHz, ±8% envelope)<br>10 = Profile 2 (5kHz, ±8% envelope)<br>11 = Profile 3 (7kHz, ±8% envelope)                                             |
| FSREN3        | 3    | Buck 3 Falling Slew Rate Enable                                                                                                                                                                                              | 0 = Strictly follows MODE3[1:0] at all times.<br>1 = Automatically enters forced-PWM mode for DVS and soft-stop events.                                                                             |
| SFTUPDN3      | 2:0  | Buck 3 Soft Start/Stop Ramp Rate Control. V <sub>OUT3</sub> increases/decreases with this slope whenever the buck is enabled or disabled.                                                                                    | 000 = ±0.15mV/μs<br>001 = ±0.625mV/μs<br>010 = ±1.25mV/μs<br>011 = ±2.5mV/μs<br>100 = ±5mV/μs<br>101 = ±10mV/μs<br>110 = ±20mV/μs<br>111 = ±40mV/μs                                                 |

**B3\_CNFG\_C (0x32)**

| BIT         | 7           | 6           | 5             | 4 | 3 | 2             | 1 | 0 |
|-------------|-------------|-------------|---------------|---|---|---------------|---|---|
| Field       | RSVD        | RNG3        | DVSRISE3[2:0] |   |   | DVSFALL3[2:0] |   |   |
| Reset       | 0b0         | OTP         | 0b000         |   |   | 0b000         |   |   |
| Access Type | Write, Read | Write, Read | Write, Read   |   |   | Write, Read   |   |   |

| BITFIELD | BITS | DESCRIPTION                                                                                                                                          | DECODE                                                                                                                                              |
|----------|------|------------------------------------------------------------------------------------------------------------------------------------------------------|-----------------------------------------------------------------------------------------------------------------------------------------------------|
| RSVD     | 7    | Reserved. Bit is a <i>don't care</i> .                                                                                                               | N/A                                                                                                                                                 |
| RNG3     | 6    | Buck 3 Output Voltage Range Control. Sets the output voltage range of VOUTREG3[7:0] and VOUTREGDVS3[1:0].                                            | 0 = (Low-range) 0.25V to 1.3V in 5mV steps<br>1 = (High-range) 1V to 5.2V in 20mV steps                                                             |
| DVSRISE3 | 5:3  | Buck 3 DVS Rising Ramp Rate Control. V <sub>OUT3</sub> increases with this slope whenever the output voltage is modified while the buck is enabled.  | 000 = +0.15mV/μs<br>001 = +0.625mV/μs<br>010 = +1.25mV/μs<br>011 = +2.5mV/μs<br>100 = +5mV/μs<br>101 = +10mV/μs<br>110 = +20mV/μs<br>111 = +40mV/μs |
| DVSFALL3 | 2:0  | Buck 3 DVS Falling Ramp Rate Control. V <sub>OUT3</sub> decreases with this slope whenever the output voltage is modified while the buck is enabled. | 000 = -0.15mV/μs<br>001 = -0.625mV/μs<br>010 = -1.25mV/μs<br>011 = -2.5mV/μs<br>100 = -5mV/μs<br>101 = -10mV/μs<br>110 = -20mV/μs<br>111 = -40mV/μs |

**B3\_CNFG\_D (0x33)**

| BIT         | 7             | 6                                                                                                                                                                                                                                       | 5 | 4 | 3                                                                                                                                                                                                                             | 2 | 1 | 0 |
|-------------|---------------|-----------------------------------------------------------------------------------------------------------------------------------------------------------------------------------------------------------------------------------------|---|---|-------------------------------------------------------------------------------------------------------------------------------------------------------------------------------------------------------------------------------|---|---|---|
| Field       | VOUTREG3[7:0] |                                                                                                                                                                                                                                         |   |   |                                                                                                                                                                                                                               |   |   |   |
| Reset       | OTP           |                                                                                                                                                                                                                                         |   |   |                                                                                                                                                                                                                               |   |   |   |
| Access Type | Write, Read   |                                                                                                                                                                                                                                         |   |   |                                                                                                                                                                                                                               |   |   |   |
| BITFIELD    | BITS          | DESCRIPTION                                                                                                                                                                                                                             |   |   | DECODE                                                                                                                                                                                                                        |   |   |   |
| VOUTREG3    | 7:0           | Buck 3 Output Voltage Control while DVS3 = 0.<br><br>If no GPIO is assigned as a special-function DVS input for this buck, then DVS3 = 0 always.<br><br>Valid codes between 0x00 and 0xD2 (inclusive). Writes above 0xD2 clamp to 0xD2. |   |   | <b>If RNG3 = 0 (low-range):</b><br>5mV/LSB in a linear transfer function between 0x00 (0.25V) and 0xD2 (1.3V)<br><b>If RNG3 = 1 (high-range):</b><br>20mV/LSB in a linear transfer function between 0x00 (1V) and 0xD2 (5.2V) |   |   |   |

**B3\_CNFG\_E (0x34)**

| BIT         | 7                | 6                                                                                                                                                                                                                                                                                 | 5 | 4 | 3                                                                                                                                                                                                                             | 2 | 1 | 0 |
|-------------|------------------|-----------------------------------------------------------------------------------------------------------------------------------------------------------------------------------------------------------------------------------------------------------------------------------|---|---|-------------------------------------------------------------------------------------------------------------------------------------------------------------------------------------------------------------------------------|---|---|---|
| Field       | VOUTREGDVS3[7:0] |                                                                                                                                                                                                                                                                                   |   |   |                                                                                                                                                                                                                               |   |   |   |
| Reset       | 0x00             |                                                                                                                                                                                                                                                                                   |   |   |                                                                                                                                                                                                                               |   |   |   |
| Access Type | Write, Read      |                                                                                                                                                                                                                                                                                   |   |   |                                                                                                                                                                                                                               |   |   |   |
| BITFIELD    | BITS             | DESCRIPTION                                                                                                                                                                                                                                                                       |   |   | DECODE                                                                                                                                                                                                                        |   |   |   |
| VOUTREGDVS3 | 7:0              | Buck 3 Output Voltage Control while DVS3 = 1.<br><br>If no GPIO is assigned as a special-function DVS input for this buck, then DVS3 = 0 always and this register is a <i>don't care</i> .<br><br>Valid codes between 0x00 and 0xD2 (inclusive). Writes above 0xD2 clamp to 0xD2. |   |   | <b>If RNG3 = 0 (low-range):</b><br>5mV/LSB in a linear transfer function between 0x00 (0.25V) and 0xD2 (1.3V)<br><b>If RNG3 = 1 (high-range):</b><br>20mV/LSB in a linear transfer function between 0x00 (1V) and 0xD2 (5.2V) |   |   |   |

**B4\_CNFG\_A (0x40)**

| BIT         | 7           | 6                                                                                            | 5           | 4 | 3                                                 | 2 | 1 | 0 |
|-------------|-------------|----------------------------------------------------------------------------------------------|-------------|---|---------------------------------------------------|---|---|---|
| Field       | ILIM4[1:0]  |                                                                                              | MODE4[1:0]  |   | BEN4[3:0]                                         |   |   |   |
| Reset       | OTP         |                                                                                              | 0b01        |   | OTP                                               |   |   |   |
| Access Type | Write, Read |                                                                                              | Write, Read |   | Write, Read                                       |   |   |   |
| BITFIELD    | BITS        | DESCRIPTION                                                                                  |             |   | DECODE                                            |   |   |   |
| ILIM4       | 7:6         | Buck 4 Peak Inductor Current Limit Control. Sets I <sub>PEAK-HS</sub> for all buck 4 phases. |             |   | 00 = 1.5A<br>01 = 2.25A<br>10 = 3.0A<br>11 = 4.5A |   |   |   |

| BITFIELD | BITS | DESCRIPTION                                                                                                                                                                                       | DECODE                                                                                                                                                                                                                                                                                                                      |
|----------|------|---------------------------------------------------------------------------------------------------------------------------------------------------------------------------------------------------|-----------------------------------------------------------------------------------------------------------------------------------------------------------------------------------------------------------------------------------------------------------------------------------------------------------------------------|
| MODE4    | 5:4  | Buck 4 Mode Control. Turbo SKIP is the recommended default setting. Use SKIP mode when loads are expected <10mA/phase. Use FPWM mode for the highest V <sub>OUT</sub> accuracy and lowest ripple. | 00 = SKIP Mode<br>01 = Turbo SKIP Mode<br>10-11 = Forced-PWM (FPWM) Mode                                                                                                                                                                                                                                                    |
| BEN4     | 3:0  | Buck 4 Enable Control<br><br>Hardware enable inputs (using GPIO) are a logical OR with the control output from this bitfield.                                                                     | 0000 = Disabled<br>0001 = Enabled<br>0010 = FPS Slot 1<br>0011 = FPS Slot 2<br>0100 = FPS Slot 3<br>0101 = FPS Slot 4<br>0110 = FPS Slot 5<br>0111 = FPS Slot 6<br>1000 = FPS Slot 7<br>1001 = FPS Slot 8<br>1010 = FPS Slot 9<br>1011 = FPS Slot 10<br>1100 = FPS Slot 11<br>1101 = FPS Slot 12<br>1110-1111 = FPS Slot 12 |

**B4\_CNFG\_B (0x41)**

| BIT         | 7           | 6           | 5              | 4 | 3           | 2             | 1 | 0 |
|-------------|-------------|-------------|----------------|---|-------------|---------------|---|---|
| Field       | BPOK4_IM    | ADEN4       | SPECTMOD4[1:0] |   | FSREN4      | SFTUPDN4[2:0] |   |   |
| Reset       | 0b1         | 0b1         | 0b00           |   | 0b1         | OTP           |   |   |
| Access Type | Write, Read | Write, Read | Write, Read    |   | Write, Read | Write, Read   |   |   |

| BITFIELD  | BITS | DESCRIPTION                                                                                                                                                                                                                     | DECODE                                                                                                                                                                                              |
|-----------|------|---------------------------------------------------------------------------------------------------------------------------------------------------------------------------------------------------------------------------------|-----------------------------------------------------------------------------------------------------------------------------------------------------------------------------------------------------|
| BPOK4_IM  | 7    | Buck 4 POK Interrupt Mask                                                                                                                                                                                                       | 0 = Unmasked. The buck power-OK interrupt (BPOK_I) asserts when buck 4 is enabled and BPOK4 changes from 1 to 0.<br>1 = Masked. The buck power-OK interrupt (BPOK_I) does not assert due to buck 4. |
| ADEN4     | 6    | Buck 4 Active Discharge Resistor Enable                                                                                                                                                                                         | 0 = Disabled<br>1 = Enabled                                                                                                                                                                         |
| SPECTMOD4 | 5:4  | Buck 4 Pseudo-Random Spread-Spectrum Modulation Profile. Sets the modulation frequency (F <sub>SSMOD</sub> ) and envelope. Buck 4 F <sub>SSMOD</sub> is by further modified by a multiplication factor set by FSSMOD_MUL4[1:0]. | 00 = Disabled (no spread-spectrum)<br>01 = Profile 1 (3kHz, ±8% envelope)<br>10 = Profile 2 (5kHz, ±8% envelope)<br>11 = Profile 3 (7kHz, ±8% envelope)                                             |
| FSREN4    | 3    | Buck 4 Falling Slew Rate Enable                                                                                                                                                                                                 | 0 = Strictly follows MODE4[1:0] at all times.<br>1 = Automatically enters forced-PWM mode for DVS and soft-stop events.                                                                             |
| SFTUPDN4  | 2:0  | Buck 4 Soft Start/Stop Ramp Rate Control. V <sub>OUT4</sub> increases/decreases with this slope whenever the buck is enabled or disabled.                                                                                       | 000 = ±0.15mV/µs<br>001 = ±0.625mV/µs<br>010 = ±1.25mV/µs<br>011 = ±2.5mV/µs<br>100 = ±5mV/µs<br>101 = ±10mV/µs<br>110 = ±20mV/µs<br>111 = ±40mV/µs                                                 |

**B4\_CNFG\_C (0x42)**

| BIT         | 7           | 6           | 5             | 4 | 3 | 2             | 1 | 0 |
|-------------|-------------|-------------|---------------|---|---|---------------|---|---|
| Field       | RSVD        | RNG4        | DVSRISE4[2:0] |   |   | DVSFALL4[2:0] |   |   |
| Reset       | 0b0         | OTP         | 0b000         |   |   | 0b000         |   |   |
| Access Type | Write, Read | Write, Read | Write, Read   |   |   | Write, Read   |   |   |

| BITFIELD | BITS | DESCRIPTION                                                                                                                                          | DECODE                                                                                                                                              |
|----------|------|------------------------------------------------------------------------------------------------------------------------------------------------------|-----------------------------------------------------------------------------------------------------------------------------------------------------|
| RSVD     | 7    | Reserved. Bit is a <i>don't care</i> .                                                                                                               | N/A                                                                                                                                                 |
| RNG4     | 6    | Buck 4 Output Voltage Range Control. Sets the output voltage range of VOUTREG4[7:0] and VOUTREGDVS4[1:0].                                            | 0 = (Low-range) 0.25V to 1.3V in 5mV steps<br>1 = (High-range) 1V to 5.2V in 20mV steps                                                             |
| DVSRISE4 | 5:3  | Buck 4 DVS Rising Ramp Rate Control. V <sub>OUT4</sub> increases with this slope whenever the output voltage is modified while the buck is enabled.  | 000 = +0.15mV/μs<br>001 = +0.625mV/μs<br>010 = +1.25mV/μs<br>011 = +2.5mV/μs<br>100 = +5mV/μs<br>101 = +10mV/μs<br>110 = +20mV/μs<br>111 = +40mV/μs |
| DVSFALL4 | 2:0  | Buck 4 DVS Falling Ramp Rate Control. V <sub>OUT4</sub> decreases with this slope whenever the output voltage is modified while the buck is enabled. | 000 = -0.15mV/μs<br>001 = -0.625mV/μs<br>010 = -1.25mV/μs<br>011 = -2.5mV/μs<br>100 = -5mV/μs<br>101 = -10mV/μs<br>110 = -20mV/μs<br>111 = -40mV/μs |

**B4\_CNFG\_D (0x43)**

| BIT         | 7             | 6 | 5 | 4 | 3 | 2 | 1 | 0 |
|-------------|---------------|---|---|---|---|---|---|---|
| Field       | VOUTREG4[7:0] |   |   |   |   |   |   |   |
| Reset       | OTP           |   |   |   |   |   |   |   |
| Access Type | Write, Read   |   |   |   |   |   |   |   |

| BITFIELD | BITS | DESCRIPTION                                                                                                                                                                                                                             | DECODE                                                                                                                                                                                                                        |
|----------|------|-----------------------------------------------------------------------------------------------------------------------------------------------------------------------------------------------------------------------------------------|-------------------------------------------------------------------------------------------------------------------------------------------------------------------------------------------------------------------------------|
| VOUTREG4 | 7:0  | Buck 4 Output Voltage Control while DVS4 = 0.<br><br>If no GPIO is assigned as a special-function DVS input for this buck, then DVS4 = 0 always.<br><br>Valid codes between 0x00 and 0xD2 (inclusive). Writes above 0xD2 clamp to 0xD2. | <b>If RNG4 = 0 (low-range):</b><br>5mV/LSB in a linear transfer function between 0x00 (0.25V) and 0xD2 (1.3V)<br><b>If RNG4 = 1 (high-range):</b><br>20mV/LSB in a linear transfer function between 0x00 (1V) and 0xD2 (5.2V) |

**B4\_CNFG\_E (0x44)**

| BIT         | 7                | 6 | 5 | 4 | 3 | 2 | 1 | 0 |
|-------------|------------------|---|---|---|---|---|---|---|
| Field       | VOUTREGDVS4[7:0] |   |   |   |   |   |   |   |
| Reset       | 0x00             |   |   |   |   |   |   |   |
| Access Type | Write, Read      |   |   |   |   |   |   |   |

| BITFIELD    | BITS | DESCRIPTION                                                                                                                                                                                                                                                                             | DECODE                                                                                                                                                                                                                                     |
|-------------|------|-----------------------------------------------------------------------------------------------------------------------------------------------------------------------------------------------------------------------------------------------------------------------------------------|--------------------------------------------------------------------------------------------------------------------------------------------------------------------------------------------------------------------------------------------|
| VOUTREGDVS4 | 7:0  | <p>Buck 4 Output Voltage Control while DVS3 = 1.</p> <p>If no GPIO is assigned as a special-function DVS input for this buck, then DVS4 = 0 always and this register is a <i>don't care</i>.</p> <p>Valid codes between 0x00 and 0xD2 (inclusive). Writes above 0xD2 clamp to 0xD2.</p> | <p><b>If RNG4 = 0 (low-range):</b><br/>5mV/LSB in a linear transfer function between 0x00 (0.25V) and 0xD2 (1.3V)</p> <p><b>If RNG4 = 1 (high-range):</b><br/>20mV/LSB in a linear transfer function between 0x00 (1V) and 0xD2 (5.2V)</p> |

**LDO\_CNFG\_A (0x50)**

| BIT         | 7           | 6           | 5           | 4           | 3           | 2 | 1 | 0 |
|-------------|-------------|-------------|-------------|-------------|-------------|---|---|---|
| Field       | OV_CLMP_EN  | RSVD        | LDOPOK_I M  | ADE_LDO     | LDOEN[3:0]  |   |   |   |
| Reset       | 0b1         | 0b1         | 0b1         | 0b1         | OTP         |   |   |   |
| Access Type | Write, Read | Write, Read | Write, Read | Write, Read | Write, Read |   |   |   |

| BITFIELD   | BITS | DESCRIPTION                                                      | DECODE                                                                                                                                                                                                                  |
|------------|------|------------------------------------------------------------------|-------------------------------------------------------------------------------------------------------------------------------------------------------------------------------------------------------------------------|
| OV_CLMP_EN | 7    | Overvoltage Clamp Enable. Enables the LDO current sink function. | <p>0 = Overvoltage clamp disabled. The LDO output can not sink current in the event that the output is over-regulated.</p> <p>1 = Clamp enabled. The LDO output can sink current when the output is over-regulated.</p> |
| RSVD       | 6    | Reserved. Bit is a <i>don't care</i> .                           | N/A                                                                                                                                                                                                                     |
| LDOPOK_IM  | 5    | LDOPOK_I Interrupt Mask                                          | <p>0 = Unmasked. The LDO power-OK interrupt (LDOPOK_I) asserts when LDOPOK changes.</p> <p>1 = Masked. The buck power-OK interrupt (LDOPOK_I) does not assert when LDOPOK changes.</p>                                  |
| ADE_LDO    | 4    | LDO Active Discharge Resistor Enable                             | <p>0 = Disabled</p> <p>1 = Enabled</p>                                                                                                                                                                                  |

| BITFIELD | BITS | DESCRIPTION                                                                                       | DECODE                                                                                                                                                                                                                                                                                                                      |
|----------|------|---------------------------------------------------------------------------------------------------|-----------------------------------------------------------------------------------------------------------------------------------------------------------------------------------------------------------------------------------------------------------------------------------------------------------------------------|
| LDOEN    | 3:0  | LDO Enable and Mode Control. Use only with MAX77711. Do not modify this bitfield in the MAX77511. | 0000 = Disabled<br>0001 = Enabled<br>0010 = FPS Slot 1<br>0011 = FPS Slot 2<br>0100 = FPS Slot 3<br>0101 = FPS Slot 4<br>0110 = FPS Slot 5<br>0111 = FPS Slot 6<br>1000 = FPS Slot 7<br>1001 = FPS Slot 8<br>1010 = FPS Slot 9<br>1011 = FPS Slot 10<br>1100 = FPS Slot 11<br>1101 = FPS Slot 12<br>1110-1111 = FPS Slot 12 |

**LDO\_CNFG\_B (0x51)**

| BIT         | 7           | 6           | 5             | 4 | 3 | 2 | 1 | 0 |
|-------------|-------------|-------------|---------------|---|---|---|---|---|
| Field       | RSVD        | RSVD        | LDO_VREG[5:0] |   |   |   |   |   |
| Reset       | 0b0         | 0b0         | OTP           |   |   |   |   |   |
| Access Type | Write, Read | Write, Read | Write, Read   |   |   |   |   |   |

| BITFIELD | BITS | DESCRIPTION                                                                                                                                                 | DECODE                                                                                                                                                    |
|----------|------|-------------------------------------------------------------------------------------------------------------------------------------------------------------|-----------------------------------------------------------------------------------------------------------------------------------------------------------|
| RSVD     | 7    | Reserved. Bit is a <i>don't care</i> .                                                                                                                      | N/A                                                                                                                                                       |
| RSVD     | 6    | Reserved. Bit is a <i>don't care</i> .                                                                                                                      | N/A                                                                                                                                                       |
| LDO_VREG | 5:0  | LDO Target Regulation Voltage (VLDO-REG). This 6-bit configuration is a linear transfer function that starts at 0.4V and ends at 1.975V in 25mV increments. | 0x00 = 0.400V<br>0x01 = 0.425V<br>0x02 = 0.450V<br>...<br>0x30 = 1.600V<br>...<br>0x38 = 1.800V<br>...<br>0x3D = 1.925V<br>0x3E = 1.950V<br>0x3F = 1.975V |

**GPIO\_INT (0x60)**

| BIT         | 7                         | 6                         | 5                         | 4                         | 3                         | 2                         | 1                         | 0                         |
|-------------|---------------------------|---------------------------|---------------------------|---------------------------|---------------------------|---------------------------|---------------------------|---------------------------|
| Field       | RSVD                      | RSVD                      | INT6                      | INT5                      | INT4                      | INT3                      | INT2                      | INT1                      |
| Reset       | 0b0                       | 0b0                       | 0b0                       | 0b0                       | 0b0                       | 0b0                       | 0b0                       | 0b0                       |
| Access Type | Write, Read<br>Clears All | Write, Read<br>Clears All | Write, Read<br>Clears All | Write, Read<br>Clears All | Write, Read<br>Clears All | Write, Read<br>Clears All | Write, Read<br>Clears All | Write, Read<br>Clears All |

| BITFIELD | BITS | DESCRIPTION                            | DECODE                                                                        |
|----------|------|----------------------------------------|-------------------------------------------------------------------------------|
| RSVD     | 7    | Reserved. Bit is a <i>don't care</i> . | N/A                                                                           |
| RSVD     | 6    | Reserved. Bit is a <i>don't care</i> . | N/A                                                                           |
| INT6     | 5    | GPIO5 Interrupt Status.                | 0 = No edge detected since last read<br>1 = New edge detected since last read |

| BITFIELD | BITS | DESCRIPTION             | DECODE                                                                        |
|----------|------|-------------------------|-------------------------------------------------------------------------------|
| INT5     | 4    | GPIO5 Interrupt Status. | 0 = No edge detected since last read<br>1 = New edge detected since last read |
| INT4     | 3    | GPIO4 Interrupt Status. | 0 = No edge detected since last read<br>1 = New edge detected since last read |
| INT3     | 2    | GPIO3 Interrupt Status. | 0 = No edge detected since last read<br>1 = New edge detected since last read |
| INT2     | 1    | GPIO2 Interrupt Status. | 0 = No edge detected since last read<br>1 = New edge detected since last read |
| INT1     | 0    | GPIO1 Interrupt Status. | 0 = No edge detected since last read<br>1 = New edge detected since last read |

**GPIO\_PULLUP (0x61)**

| BIT         | 7           | 6           | 5           | 4           | 3           | 2           | 1           | 0           |
|-------------|-------------|-------------|-------------|-------------|-------------|-------------|-------------|-------------|
| Field       | RSVD        | RSVD        | PU6         | PU5         | PU4         | PU3         | PU2         | PU1         |
| Reset       | 0b0         | 0b0         | 0b0         | 0b0         | 0b0         | 0b0         | 0b0         | 0b0         |
| Access Type | Write, Read | Write, Read | Write, Read | Write, Read | Write, Read | Write, Read | Write, Read | Write, Read |

| BITFIELD | BITS | DESCRIPTION                            | DECODE                                                                 |
|----------|------|----------------------------------------|------------------------------------------------------------------------|
| RSVD     | 7    | Reserved. Bit is a <i>don't care</i> . | N/A                                                                    |
| RSVD     | 6    | Reserved. Bit is a <i>don't care</i> . | N/A                                                                    |
| PU6      | 5    | GPIO5 Pullup Resistor Enable           | 0 = Pullup resistor disabled<br>1 = Pullup resistor to V <sub>IO</sub> |
| PU5      | 4    | GPIO5 Pullup Resistor Enable           | 0 = Pullup resistor disabled<br>1 = Pullup resistor to V <sub>IO</sub> |
| PU4      | 3    | GPIO4 Pullup Resistor Enable           | 0 = Pullup resistor disabled<br>1 = Pullup resistor to V <sub>IO</sub> |
| PU3      | 2    | GPIO3 Pullup Resistor Enable           | 0 = Pullup resistor disabled<br>1 = Pullup resistor to V <sub>IO</sub> |
| PU2      | 1    | GPIO2 Pullup Resistor Enable           | 0 = Pullup resistor disabled<br>1 = Pullup resistor to V <sub>IO</sub> |
| PU1      | 0    | GPIO1 Pullup Resistor Enable           | 0 = Pullup resistor disabled<br>1 = Pullup resistor to V <sub>IO</sub> |

**GPIO\_PULLDN (0x62)**

| BIT         | 7           | 6           | 5           | 4           | 3           | 2           | 1           | 0           |
|-------------|-------------|-------------|-------------|-------------|-------------|-------------|-------------|-------------|
| Field       | RSVD        | RSVD        | PD6         | PD5         | PD4         | PD3         | PD2         | PD1         |
| Reset       | 0b0         | 0b0         | OTP         | OTP         | OTP         | OTP         | OTP         | OTP         |
| Access Type | Write, Read | Write, Read | Write, Read | Write, Read | Write, Read | Write, Read | Write, Read | Write, Read |

| BITFIELD | BITS | DESCRIPTION                            | DECODE                                                          |
|----------|------|----------------------------------------|-----------------------------------------------------------------|
| RSVD     | 7    | Reserved. Bit is a <i>don't care</i> . | N/A                                                             |
| RSVD     | 6    | Reserved. Bit is a <i>don't care</i> . | N/A                                                             |
| PD6      | 5    | GPIO6 Pulldown Resistor Enable         | 0 = Pulldown resistor disabled<br>1 = Pulldown resistor to AGND |



| BITFIELD | BITS | DESCRIPTION                    | DECODE                                                          |
|----------|------|--------------------------------|-----------------------------------------------------------------|
| PD5      | 4    | GPIO5 Pulldown Resistor Enable | 0 = Pulldown resistor disabled<br>1 = Pulldown resistor to AGND |
| PD4      | 3    | GPIO4 Pulldown Resistor Enable | 0 = Pulldown resistor disabled<br>1 = Pulldown resistor to AGND |
| PD3      | 2    | GPIO3 Pulldown Resistor Enable | 0 = Pulldown resistor disabled<br>1 = Pulldown resistor to AGND |
| PD2      | 1    | GPIO2 Pulldown Resistor Enable | 0 = Pulldown resistor disabled<br>1 = Pulldown resistor to AGND |
| PD1      | 0    | GPIO1 Pulldown Resistor Enable | 0 = Pulldown resistor disabled<br>1 = Pulldown resistor to AGND |

**GPIO\_CNFG1 (0x64)**

| BIT         | 7             | 6 | 5              | 4 | 3           | 2           | 1 | 0           |
|-------------|---------------|---|----------------|---|-------------|-------------|---|-------------|
| Field       | IRQ_SEL1[1:0] |   | DBNC_SEL1[1:0] |   | DATA1       | DIR1[1:0]   |   | DRV1        |
| Reset       | 0b00          |   | 0b00           |   | 0b0         | OTP         |   | OTP         |
| Access Type | Write, Read   |   | Write, Read    |   | Write, Read | Write, Read |   | Write, Read |

| BITFIELD  | BITS | DESCRIPTION                                                                                                                                                    | DECODE                                                                                                                                                        |
|-----------|------|----------------------------------------------------------------------------------------------------------------------------------------------------------------|---------------------------------------------------------------------------------------------------------------------------------------------------------------|
| IRQ_SEL1  | 7:6  | GPIO1 Interrupt Configuration. Programs the condition for INT1 to go high. Interrupts only occur when GPIO1 is configured as an input (DIR1[1:0] = 0b10/0b11). | 00 = No interrupt<br>01 = Interrupt on falling edge detection<br>10 = Interrupt on rising edge detection<br>11 = Interrupt on any edge detection              |
| DBNC_SEL1 | 5:4  | GPIO1 Debounce Configuration. Sets $t_{DB-GPI}$ .                                                                                                              | 00 = No debounce<br>01 = 0.11ms debounce<br>10 = 0.24ms debounce<br>11 = 0.5ms debounce                                                                       |
| DATA1     | 3    | GPIO1 Data Value. Reads back 0.                                                                                                                                | 0 = Output logic-low<br>1 = Output logic-high                                                                                                                 |
| DIR1      | 2:1  | GPIO1 Direction Configuration                                                                                                                                  | 00 = Digital Output. Driven by DATA1.<br>01 = Digital Output. Function determined by FUNC1[2:0].<br>10-11 = Digital Input. Function determined by FUNC1[2:0]. |
| DRV1      | 0    | GPIO1 Output Driver Selection                                                                                                                                  | 0 = Open-drain<br>1 = Push-pull                                                                                                                               |

**GPIO\_CNFG2 (0x65)**

| BIT         | 7             | 6 | 5              | 4 | 3           | 2           | 1 | 0           |
|-------------|---------------|---|----------------|---|-------------|-------------|---|-------------|
| Field       | IRQ_SEL2[1:0] |   | DBNC_SEL2[1:0] |   | DATA2       | DIR2[1:0]   |   | DRV2        |
| Reset       | 0b00          |   | 0b00           |   | 0b0         | OTP         |   | OTP         |
| Access Type | Write, Read   |   | Write, Read    |   | Write, Read | Write, Read |   | Write, Read |

| BITFIELD | BITS | DESCRIPTION                                                                                                                                                    | DECODE                                                                                                                                           |
|----------|------|----------------------------------------------------------------------------------------------------------------------------------------------------------------|--------------------------------------------------------------------------------------------------------------------------------------------------|
| IRQ_SEL2 | 7:6  | GPIO2 Interrupt Configuration. Programs the condition for INT2 to go high. Interrupts only occur when GPIO2 is configured as an input (DIR2[1:0] = 0b10/0b11). | 00 = No interrupt<br>01 = Interrupt on falling edge detection<br>10 = Interrupt on rising edge detection<br>11 = Interrupt on any edge detection |

| BITFIELD  | BITS | DESCRIPTION                                       | DECODE                                                                                                                                                        |
|-----------|------|---------------------------------------------------|---------------------------------------------------------------------------------------------------------------------------------------------------------------|
| DBNC_SEL2 | 5:4  | GPIO2 Debounce Configuration. Sets $t_{DB-GPI}$ . | 00 = No debounce<br>01 = 0.11ms debounce<br>10 = 0.24ms debounce<br>11 = 0.5ms debounce                                                                       |
| DATA2     | 3    | GPIO2 Data Value. Reads back 0.                   | 0 = Output logic-low<br>1 = Output logic-high                                                                                                                 |
| DIR2      | 2:1  | GPIO2 Direction Configuration                     | 00 = Digital Output. Driven by DATA2.<br>01 = Digital Output. Function determined by FUNC2[2:0].<br>10-11 = Digital Input. Function determined by FUNC2[2:0]. |
| DRV2      | 0    | GPIO2 Output Driver Selection                     | 0 = Open-drain<br>1 = Push-pull                                                                                                                               |

**GPIO\_CNFG3 (0x66)**

| BIT         | 7             | 6 | 5              | 4 | 3           | 2           | 1 | 0           |
|-------------|---------------|---|----------------|---|-------------|-------------|---|-------------|
| Field       | IRQ_SEL3[1:0] |   | DBNC_SEL3[1:0] |   | DATA3       | DIR3[1:0]   |   | DRV3        |
| Reset       | 0b00          |   | 0b00           |   | 0b0         | OTP         |   | OTP         |
| Access Type | Write, Read   |   | Write, Read    |   | Write, Read | Write, Read |   | Write, Read |

| BITFIELD  | BITS | DESCRIPTION                                                                                                                                                    | DECODE                                                                                                                                                        |
|-----------|------|----------------------------------------------------------------------------------------------------------------------------------------------------------------|---------------------------------------------------------------------------------------------------------------------------------------------------------------|
| IRQ_SEL3  | 7:6  | GPIO3 Interrupt Configuration. Programs the condition for INT3 to go high. Interrupts only occur when GPIO3 is configured as an input (DIR3[1:0] = 0b10/0b11). | 00 = No interrupt<br>01 = Interrupt on falling edge detection<br>10 = Interrupt on rising edge detection<br>11 = Interrupt on any edge detection              |
| DBNC_SEL3 | 5:4  | GPIO3 Debounce Configuration. Sets $t_{DB-GPI}$ .                                                                                                              | 00 = No debounce<br>01 = 0.11ms debounce<br>10 = 0.24ms debounce<br>11 = 0.5ms debounce                                                                       |
| DATA3     | 3    | GPIO3 Data Value. Reads back 0.                                                                                                                                | 0 = Output logic-low<br>1 = Output logic-high                                                                                                                 |
| DIR3      | 2:1  | GPIO0 Direction Configuration                                                                                                                                  | 00 = Digital Output. Driven by DATA3.<br>01 = Digital Output. Function determined by FUNC3[2:0].<br>10-11 = Digital Input. Function determined by FUNC3[2:0]. |
| DRV3      | 0    | GPIO3 Output Driver Selection                                                                                                                                  | 0 = Open-drain<br>1 = Push-pull                                                                                                                               |

**GPIO\_CNFG4 (0x67)**

| BIT         | 7             | 6 | 5              | 4 | 3           | 2           | 1 | 0           |
|-------------|---------------|---|----------------|---|-------------|-------------|---|-------------|
| Field       | IRQ_SEL4[1:0] |   | DBNC_SEL4[1:0] |   | DATA4       | DIR4[1:0]   |   | DRV4        |
| Reset       | 0b00          |   | 0b00           |   | 0b0         | OTP         |   | OTP         |
| Access Type | Write, Read   |   | Write, Read    |   | Write, Read | Write, Read |   | Write, Read |

| BITFIELD  | BITS | DESCRIPTION                                                                                                                                                    | DECODE                                                                                                                                                        |
|-----------|------|----------------------------------------------------------------------------------------------------------------------------------------------------------------|---------------------------------------------------------------------------------------------------------------------------------------------------------------|
| IRQ_SEL4  | 7:6  | GPIO4 Interrupt Configuration. Programs the condition for INT4 to go high. Interrupts only occur when GPIO4 is configured as an input (DIR4[1:0] = 0b10/0b11). | 00 = No interrupt<br>01 = Interrupt on falling edge detection<br>10 = Interrupt on rising edge detection<br>11 = Interrupt on any edge detection              |
| DBNC_SEL4 | 5:4  | GPIO4 Debounce Configuration. Sets $t_{DB-GPI}$ .                                                                                                              | 00 = No debounce<br>01 = 0.11ms debounce<br>10 = 0.24ms debounce<br>11 = 0.5ms debounce                                                                       |
| DATA4     | 3    | GPIO4 Data Value. Reads back 0.                                                                                                                                | 0 = Output logic-low<br>1 = Output logic-high                                                                                                                 |
| DIR4      | 2:1  | GPIO0 Direction Configuration                                                                                                                                  | 00 = Digital Output. Driven by DATA4.<br>01 = Digital Output. Function determined by FUNC4[2:0].<br>10-11 = Digital Input. Function determined by FUNC4[2:0]. |
| DRV4      | 0    | GPIO4 Output Driver Selection                                                                                                                                  | 0 = Open-drain<br>1 = Push-pull                                                                                                                               |

**GPIO\_CNFG5 (0x68)**

| BIT         | 7             | 6 | 5              | 4 | 3           | 2           | 1 | 0           |
|-------------|---------------|---|----------------|---|-------------|-------------|---|-------------|
| Field       | IRQ_SEL5[1:0] |   | DBNC_SEL5[1:0] |   | DATA5       | DIR5[1:0]   |   | DRV5        |
| Reset       | 0b00          |   | 0b00           |   | 0b0         | OTP         |   | OTP         |
| Access Type | Write, Read   |   | Write, Read    |   | Write, Read | Write, Read |   | Write, Read |

| BITFIELD  | BITS | DESCRIPTION                                                                                                                                                    | DECODE                                                                                                                                                        |
|-----------|------|----------------------------------------------------------------------------------------------------------------------------------------------------------------|---------------------------------------------------------------------------------------------------------------------------------------------------------------|
| IRQ_SEL5  | 7:6  | GPIO5 Interrupt Configuration. Programs the condition for INT5 to go high. Interrupts only occur when GPIO5 is configured as an input (DIR5[1:0] = 0b10/0b11). | 00 = No interrupt<br>01 = Interrupt on falling edge detection<br>10 = Interrupt on rising edge detection<br>11 = Interrupt on any edge detection              |
| DBNC_SEL5 | 5:4  | GPIO5 Debounce Configuration. Sets $t_{DB-GPI}$ .                                                                                                              | 00 = No debounce<br>01 = 0.11ms debounce<br>10 = 0.24ms debounce<br>11 = 0.5ms debounce                                                                       |
| DATA5     | 3    | GPIO5 Data Value. Reads back 0.                                                                                                                                | 0 = Output logic-low<br>1 = Output logic-high                                                                                                                 |
| DIR5      | 2:1  | GPIO5 Direction Configuration                                                                                                                                  | 00 = Digital Output. Driven by DATA5.<br>01 = Digital Output. Function determined by FUNC5[2:0].<br>10-11 = Digital Input. Function determined by FUNC5[2:0]. |
| DRV5      | 0    | GPIO5 Output Driver Selection                                                                                                                                  | 0 = Open-drain<br>1 = Push-pull                                                                                                                               |

**GPIO\_CNFG6 (0x69)**

| BIT         | 7             | 6 | 5              | 4 | 3           | 2           | 1 | 0           |
|-------------|---------------|---|----------------|---|-------------|-------------|---|-------------|
| Field       | IRQ_SEL6[1:0] |   | DBNC_SEL6[1:0] |   | DATA6       | DIR6[1:0]   |   | DRV6        |
| Reset       | 0b00          |   | 0b00           |   | 0b0         | OTP         |   | OTP         |
| Access Type | Write, Read   |   | Write, Read    |   | Write, Read | Write, Read |   | Write, Read |

| BITFIELD  | BITS | DESCRIPTION                                                                                                                                                    | DECODE                                                                                                                                                        |
|-----------|------|----------------------------------------------------------------------------------------------------------------------------------------------------------------|---------------------------------------------------------------------------------------------------------------------------------------------------------------|
| IRQ_SEL6  | 7:6  | GPIO6 Interrupt Configuration. Programs the condition for INT6 to go high. Interrupts only occur when GPIO6 is configured as an input (DIR6[1:0] = 0b10/0b11). | 00 = No interrupt<br>01 = Interrupt on falling edge detection<br>10 = Interrupt on rising edge detection<br>11 = Interrupt on any edge detection              |
| DBNC_SEL6 | 5:4  | GPIO6 Debounce Configuration. Sets $t_{DB-GPI}$ .                                                                                                              | 00 = No debounce<br>01 = 0.11ms debounce<br>10 = 0.24ms debounce<br>11 = 0.5ms debounce                                                                       |
| DATA6     | 3    | GPIO6 Data Value. Reads back 0.                                                                                                                                | 0 = Output logic-low<br>1 = Output logic-high                                                                                                                 |
| DIR6      | 2:1  | GPIO6 Direction Configuration                                                                                                                                  | 00 = Digital Output. Driven by DATA6.<br>01 = Digital Output. Function determined by FUNC6[2:0].<br>10-11 = Digital Input. Function determined by FUNC6[2:0]. |
| DRV6      | 0    | GPIO6 Output Driver Selection                                                                                                                                  | 0 = Open-drain<br>1 = Push-pull                                                                                                                               |

**GPIO\_FUNC1 (0x6A)**

| BIT         | 7           | 6           | 5           | 4           | 3 | 2           | 1 | 0 |
|-------------|-------------|-------------|-------------|-------------|---|-------------|---|---|
| Field       | RSVD        | RSVD        | RSVD        | BSEL1[1:0]  |   | FUNC1[2:0]  |   |   |
| Reset       | 0b0         | 0b0         | 0b0         | OTP         |   | OTP         |   |   |
| Access Type | Write, Read | Write, Read | Write, Read | Write, Read |   | Write, Read |   |   |

| BITFIELD | BITS | DESCRIPTION                                                                                                              | DECODE                                                                                                                                                                                                                                                                                                                                                                                                                                                                                                                                                                                 |
|----------|------|--------------------------------------------------------------------------------------------------------------------------|----------------------------------------------------------------------------------------------------------------------------------------------------------------------------------------------------------------------------------------------------------------------------------------------------------------------------------------------------------------------------------------------------------------------------------------------------------------------------------------------------------------------------------------------------------------------------------------|
| RSVD     | 7    | Reserved. Bit is a <i>don't care</i> .                                                                                   | N/A                                                                                                                                                                                                                                                                                                                                                                                                                                                                                                                                                                                    |
| RSVD     | 6    | Reserved. Bit is a <i>don't care</i> .                                                                                   | N/A                                                                                                                                                                                                                                                                                                                                                                                                                                                                                                                                                                                    |
| RSVD     | 5    | Reserved. Bit is a <i>don't care</i> .                                                                                   | N/A                                                                                                                                                                                                                                                                                                                                                                                                                                                                                                                                                                                    |
| BSEL1    | 4:3  | GPIO1 Buck Control Regulator Selection. This bitfield is a <i>don't care</i> if a buck control function is not selected. | 00 = Buck 1<br>01 = Buck 2<br>10 = Buck 3<br>11 = Buck 4                                                                                                                                                                                                                                                                                                                                                                                                                                                                                                                               |
| FUNC1    | 2:0  | GPIO1 Function Control.<br><br>Buck control functions work on the buck regulator specified by BSEL1[1:0].                | <b>When DIR1[1:0] = 0b00:</b><br>000-111 = GPIO1 drives the output in DATA1. This bitfield is a <i>don't care</i> .<br><br><b>When DIR1[1:0] = 0b01:</b><br>000-100 = GPIO1 drives logic-low<br>101 = Buck Power-OK Output (POKx)<br>110-111 = GPIO4 drives logic-low<br><br><b>When DIR1[1:0] = 0b10 or 0b11:</b><br>000 = General-Purpose Input (GPI). No other special function.<br>001 = Buck Enable Input (BENx)<br>010 = Buck DVS Input (DVSx)<br>011 = Buck FPWM Input (FPWMx)<br>100 = LDO Enable Input (LDOEN)<br>101-111 = No Function. GPIO1 input is a <i>don't care</i> . |

GPIO\_FUNC2 (0x6B)

| BIT         | 7           | 6           | 5           | 4           | 3 | 2           | 1 | 0 |
|-------------|-------------|-------------|-------------|-------------|---|-------------|---|---|
| Field       | RSVD        | RSVD        | RSVD        | BSEL2[1:0]  |   | FUNC2[2:0]  |   |   |
| Reset       | 0b0         | 0b0         | 0b0         | OTP         |   | OTP         |   |   |
| Access Type | Write, Read | Write, Read | Write, Read | Write, Read |   | Write, Read |   |   |

| BITFIELD | BITS | DESCRIPTION                                                                                                              | DECODE                                                                                                                                                                                                                                                                                                                                                                                                                                                                                                                                                                                                |
|----------|------|--------------------------------------------------------------------------------------------------------------------------|-------------------------------------------------------------------------------------------------------------------------------------------------------------------------------------------------------------------------------------------------------------------------------------------------------------------------------------------------------------------------------------------------------------------------------------------------------------------------------------------------------------------------------------------------------------------------------------------------------|
| RSVD     | 7    | Reserved. Bit is a <i>don't care</i> .                                                                                   | N/A                                                                                                                                                                                                                                                                                                                                                                                                                                                                                                                                                                                                   |
| RSVD     | 6    | Reserved. Bit is a <i>don't care</i> .                                                                                   | N/A                                                                                                                                                                                                                                                                                                                                                                                                                                                                                                                                                                                                   |
| RSVD     | 5    | Reserved. Bit is a <i>don't care</i> .                                                                                   | N/A                                                                                                                                                                                                                                                                                                                                                                                                                                                                                                                                                                                                   |
| BSEL2    | 4:3  | GPIO2 Buck Control Regulator Selection. This bitfield is a <i>don't care</i> if a buck control function is not selected. | 00 = Buck 1<br>01 = Buck 2<br>10 = Buck 3<br>11 = Buck 4                                                                                                                                                                                                                                                                                                                                                                                                                                                                                                                                              |
| FUNC2    | 2:0  | GPIO2 Function Control.<br><br>Buck control functions work on the buck regulator specified by BSEL2[1:0].                | <p><b>When DIR2[1:0] = 0b00:</b><br/>000-111 = GPIO2 drives the output in DATA2. This bitfield is a <i>don't care</i>.</p> <p><b>When DIR2[1:0] = 0b01:</b><br/>000-100 = GPIO2 drives logic-low<br/>101 = Buck Power-OK Output (POKx)<br/>110-111 = GPIO4 drives logic-low</p> <p><b>When DIR2[1:0] = 0b10 or 0b11:</b><br/>000 = General-Purpose Input (GPI). No other special function.<br/>001 = Buck Enable Input (BENx)<br/>010 = Buck DVS Input (DVSx)<br/>011 = Buck FPWM Input (FPWMx)<br/>100 = LDO Enable Input (LDOEN)<br/>101-111 = No Function. GPIO2 input is a <i>don't care</i>.</p> |

GPIO\_FUNC3 (0x6C)

| BIT         | 7           | 6           | 5           | 4           | 3 | 2           | 1 | 0 |
|-------------|-------------|-------------|-------------|-------------|---|-------------|---|---|
| Field       | RSVD        | RSVD        | RSVD        | BSEL3[1:0]  |   | FUNC3[2:0]  |   |   |
| Reset       | 0b0         | 0b0         | 0b0         | OTP         |   | OTP         |   |   |
| Access Type | Write, Read | Write, Read | Write, Read | Write, Read |   | Write, Read |   |   |

| BITFIELD | BITS | DESCRIPTION                                                                                                              | DECODE                                                   |
|----------|------|--------------------------------------------------------------------------------------------------------------------------|----------------------------------------------------------|
| RSVD     | 7    | Reserved. Bit is a <i>don't care</i> .                                                                                   | N/A                                                      |
| RSVD     | 6    | Reserved. Bit is a <i>don't care</i> .                                                                                   | N/A                                                      |
| RSVD     | 5    | Reserved. Bit is a <i>don't care</i> .                                                                                   | N/A                                                      |
| BSEL3    | 4:3  | GPIO3 Buck Control Regulator Selection. This bitfield is a <i>don't care</i> if a buck control function is not selected. | 00 = Buck 1<br>01 = Buck 2<br>10 = Buck 3<br>11 = Buck 4 |

| BITFIELD | BITS | DESCRIPTION                                                                                               | DECODE                                                                                                                                                                                                                                                                                                                                                                                                                                                                                                                                                                                                |
|----------|------|-----------------------------------------------------------------------------------------------------------|-------------------------------------------------------------------------------------------------------------------------------------------------------------------------------------------------------------------------------------------------------------------------------------------------------------------------------------------------------------------------------------------------------------------------------------------------------------------------------------------------------------------------------------------------------------------------------------------------------|
| FUNC3    | 2:0  | GPIO3 Function Control.<br><br>Buck control functions work on the buck regulator specified by BSEL3[1:0]. | <p><b>When DIR3[1:0] = 0b00:</b><br/>000-111 = GPIO3 drives the output in DATA3. This bitfield is a <i>don't care</i>.</p> <p><b>When DIR3[1:0] = 0b01:</b><br/>000-100 = GPIO3 drives logic-low<br/>101 = Buck Power-OK Output (POKx)<br/>110-111 = GPIO4 drives logic-low</p> <p><b>When DIR3[1:0] = 0b10 or 0b11:</b><br/>000 = General-Purpose Input (GPI). No other special function.<br/>001 = Buck Enable Input (BENx)<br/>010 = Buck DVS Input (DVSx)<br/>011 = Buck FPWM Input (FPWMx)<br/>100 = LDO Enable Input (LDOEN)<br/>101-111 = No Function. GPIO3 input is a <i>don't care</i>.</p> |

GPIO\_FUNC4 (0x6D)

| BIT         | 7           | 6           | 5           | 4           | 3 | 2           | 1 | 0 |
|-------------|-------------|-------------|-------------|-------------|---|-------------|---|---|
| Field       | RSVD        | RSVD        | RSVD        | BSEL4[1:0]  |   | FUNC4[2:0]  |   |   |
| Reset       | 0b0         | 0b0         | 0b0         | OTP         |   | OTP         |   |   |
| Access Type | Write, Read | Write, Read | Write, Read | Write, Read |   | Write, Read |   |   |

| BITFIELD | BITS | DESCRIPTION                                                                                                              | DECODE                                                                                                                                                                                                                                                                                                                                                                                                                                                                                                                                                                                                |
|----------|------|--------------------------------------------------------------------------------------------------------------------------|-------------------------------------------------------------------------------------------------------------------------------------------------------------------------------------------------------------------------------------------------------------------------------------------------------------------------------------------------------------------------------------------------------------------------------------------------------------------------------------------------------------------------------------------------------------------------------------------------------|
| RSVD     | 7    | Reserved. Bit is a <i>don't care</i> .                                                                                   | N/A                                                                                                                                                                                                                                                                                                                                                                                                                                                                                                                                                                                                   |
| RSVD     | 6    | Reserved. Bit is a <i>don't care</i> .                                                                                   | N/A                                                                                                                                                                                                                                                                                                                                                                                                                                                                                                                                                                                                   |
| RSVD     | 5    | Reserved. Bit is a <i>don't care</i> .                                                                                   | N/A                                                                                                                                                                                                                                                                                                                                                                                                                                                                                                                                                                                                   |
| BSEL4    | 4:3  | GPIO4 Buck Control Regulator Selection. This bitfield is a <i>don't care</i> if a buck control function is not selected. | 00 = Buck 1<br>01 = Buck 2<br>10 = Buck 3<br>11 = Buck 4                                                                                                                                                                                                                                                                                                                                                                                                                                                                                                                                              |
| FUNC4    | 2:0  | GPIO4 Function Control.<br><br>Buck control functions work on the buck regulator specified by BSEL4[1:0].                | <p><b>When DIR4[1:0] = 0b00:</b><br/>000-111 = GPIO4 drives the output in DATA4. This bitfield is a <i>don't care</i>.</p> <p><b>When DIR4[1:0] = 0b01:</b><br/>000-100 = GPIO4 drives logic-low<br/>101 = Buck Power-OK Output (POKx)<br/>110-111 = GPIO4 drives logic-low</p> <p><b>When DIR4[1:0] = 0b10 or 0b11:</b><br/>000 = General-Purpose Input (GPI). No other special function.<br/>001 = Buck Enable Input (BENx)<br/>010 = Buck DVS Input (DVSx)<br/>011 = Buck FPWM Input (FPWMx)<br/>100 = LDO Enable Input (LDOEN)<br/>101-111 = No Function. GPIO4 input is a <i>don't care</i>.</p> |

**GPIO\_FUNC5 (0x6E)**

| BIT         | 7           | 6           | 5           | 4           | 3 | 2           | 1 | 0 |
|-------------|-------------|-------------|-------------|-------------|---|-------------|---|---|
| Field       | RSVD        | RSVD        | RSVD        | BSEL5[1:0]  |   | FUNC5[2:0]  |   |   |
| Reset       | 0b0         | 0b0         | 0b0         | OTP         |   | OTP         |   |   |
| Access Type | Write, Read | Write, Read | Write, Read | Write, Read |   | Write, Read |   |   |

| BITFIELD | BITS | DESCRIPTION                                                                                                                                                                                                                                 | DECODE                                                                                                                                                                                                                                                                                                                                                                                                                                                                                                                                                                                       |
|----------|------|---------------------------------------------------------------------------------------------------------------------------------------------------------------------------------------------------------------------------------------------|----------------------------------------------------------------------------------------------------------------------------------------------------------------------------------------------------------------------------------------------------------------------------------------------------------------------------------------------------------------------------------------------------------------------------------------------------------------------------------------------------------------------------------------------------------------------------------------------|
| RSVD     | 7    | Reserved. Bit is a <i>don't care</i> .                                                                                                                                                                                                      | N/A                                                                                                                                                                                                                                                                                                                                                                                                                                                                                                                                                                                          |
| RSVD     | 6    | Reserved. Bit is a <i>don't care</i> .                                                                                                                                                                                                      | N/A                                                                                                                                                                                                                                                                                                                                                                                                                                                                                                                                                                                          |
| RSVD     | 5    | Reserved. Bit is a <i>don't care</i> .                                                                                                                                                                                                      | N/A                                                                                                                                                                                                                                                                                                                                                                                                                                                                                                                                                                                          |
| BSEL5    | 4:3  | GPIO5 Buck Control Regulator Selection. This bitfield is a <i>don't care</i> if a buck control function is not selected.                                                                                                                    | 00 = Buck 1<br>01 = Buck 2<br>10 = Buck 3<br>11 = Buck 4                                                                                                                                                                                                                                                                                                                                                                                                                                                                                                                                     |
| FUNC5    | 2:0  | GPIO5 Function Control.<br><br>Buck control functions work on the buck regulator specified by BSEL5[1:0].<br><br>Flexible Power Sequencer Digital Output (FPSDO5) causes GPIO5 to go high in the sequencer slot specified by GPIOSEQ5[3:0]. | <b>When DIR5[1:0] = 0b00:</b><br>000-111 = GPIO5 drives the output in DATA5. This bitfield is a <i>don't care</i> .<br><br><b>When DIR5[1:0] = 0b01:</b><br>000-100 = GPIO5 drives logic-low.<br>101 = Buck Power-OK Output (POKx)<br>110-111 = FPS Digital Output (FPSDO5)<br><br><b>When DIR5[1:0] = 0b10 or 0b11:</b><br>000 = General-Purpose Input (GPI). No other special function.<br>001 = Buck Enable Input (BENx)<br>010 = Buck DVS Input (DVSx)<br>011 = Buck FPWM Input (FPWMx)<br>100 = LDO Enable Input (LDOEN)<br>101-111 = No Function. GPIO5 input is a <i>don't care</i> . |

**GPIO\_FUNC6 (0x6F)**

| BIT         | 7           | 6           | 5           | 4           | 3 | 2           | 1 | 0 |
|-------------|-------------|-------------|-------------|-------------|---|-------------|---|---|
| Field       | RSVD        | RSVD        | RSVD        | BSEL6[1:0]  |   | FUNC6[2:0]  |   |   |
| Reset       | 0b0         | 0b0         | 0b0         | OTP         |   | OTP         |   |   |
| Access Type | Write, Read | Write, Read | Write, Read | Write, Read |   | Write, Read |   |   |

| BITFIELD | BITS | DESCRIPTION                                                                                                              | DECODE                                                   |
|----------|------|--------------------------------------------------------------------------------------------------------------------------|----------------------------------------------------------|
| RSVD     | 7    | Reserved. Bit is a <i>don't care</i> .                                                                                   | N/A                                                      |
| RSVD     | 6    | Reserved. Bit is a <i>don't care</i> .                                                                                   | N/A                                                      |
| RSVD     | 5    | Reserved. Bit is a <i>don't care</i> .                                                                                   | N/A                                                      |
| BSEL6    | 4:3  | GPIO6 Buck Control Regulator Selection. This bitfield is a <i>don't care</i> if a buck control function is not selected. | 00 = Buck 1<br>01 = Buck 2<br>10 = Buck 3<br>11 = Buck 4 |

| BITFIELD | BITS | DESCRIPTION                                                                                                                                                                                                                                        | DECODE                                                                                                                                                                                                                                                                                                                                                                                                                                                                                                                                                                                                      |
|----------|------|----------------------------------------------------------------------------------------------------------------------------------------------------------------------------------------------------------------------------------------------------|-------------------------------------------------------------------------------------------------------------------------------------------------------------------------------------------------------------------------------------------------------------------------------------------------------------------------------------------------------------------------------------------------------------------------------------------------------------------------------------------------------------------------------------------------------------------------------------------------------------|
| FUNC6    | 2:0  | <p>GPIO6 Function Control.</p> <p>Buck control functions work on the buck regulator specified by BSEL6[1:0].</p> <p>Flexible Power Sequencer Digital Output (FPSDO6) causes GPIO6 to go high in the sequencer slot specified by GPIOSEQ6[3:0].</p> | <p><b>When DIR6[1:0] = 0b00:</b><br/>000-111 = GPIO6 drives the output in DATA6. This bitfield is a <i>don't care</i>.</p> <p><b>When DIR6[1:0] = 0b01:</b><br/>000-100 = GPIO6 drives logic-low.<br/>101 = Buck Power-OK Output (POKx)<br/>110-111 = FPS Digital Output (FPSDO6)</p> <p><b>When DIR6[1:0] = 0b10 or 0b11:</b><br/>000 = General-Purpose Input (GPI). No other special function.<br/>001 = Buck Enable Input (BENx)<br/>010 = Buck DVS Input (DVSx)<br/>011 = Buck FPWM Input (FPWMx)<br/>100 = LDO Enable Input (LDOEN)<br/>101-111 = No Function. GPIO6 input is a <i>don't care</i>.</p> |

**GPIO\_FPS (0x70)**

| BIT         | 7             | 6 | 5 | 4 | 3             | 2 | 1 | 0 |
|-------------|---------------|---|---|---|---------------|---|---|---|
| Field       | GPIOSEQ6[3:0] |   |   |   | GPIOSEQ5[3:0] |   |   |   |
| Reset       | OTP           |   |   |   | OTP           |   |   |   |
| Access Type | Write, Read   |   |   |   | Write, Read   |   |   |   |

| BITFIELD | BITS | DESCRIPTION                                    | DECODE                                                                                                                                                                                                                                                                                                    |
|----------|------|------------------------------------------------|-----------------------------------------------------------------------------------------------------------------------------------------------------------------------------------------------------------------------------------------------------------------------------------------------------------|
| GPIOSEQ6 | 7:4  | GPIO6 Flexible Power Sequencer Slot Assignment | <p>0000 = FPS Slot 1<br/>0001 = FPS Slot 2<br/>0010 = FPS Slot 3<br/>0011 = FPS Slot 4<br/>0100 = FPS Slot 5<br/>0101 = FPS Slot 6<br/>0110 = FPS Slot 7<br/>0111 = FPS Slot 8<br/>1000 = FPS Slot 9<br/>1001 = FPS Slot 10<br/>1010 = FPS Slot 11<br/>1011 = FPS Slot 12<br/>1100-1111 = FPS Slot 12</p> |
| GPIOSEQ5 | 3:0  | GPIO5 Flexible Power Sequencer Slot Assignment | <p>0000 = FPS Slot 1<br/>0001 = FPS Slot 2<br/>0010 = FPS Slot 3<br/>0011 = FPS Slot 4<br/>0100 = FPS Slot 5<br/>0101 = FPS Slot 6<br/>0110 = FPS Slot 7<br/>0111 = FPS Slot 8<br/>1000 = FPS Slot 9<br/>1001 = FPS Slot 10<br/>1010 = FPS Slot 11<br/>1011 = FPS Slot 12<br/>1100-1111 = FPS Slot 12</p> |



## Applications Information—Quad-Channel Configurable Buck Regulator

### Buck Enable Options

The MAX77511/MAX77711 offer a high degree of control flexibility. See [Figure 13](#) for suggested methods of controlling the buck regulators.

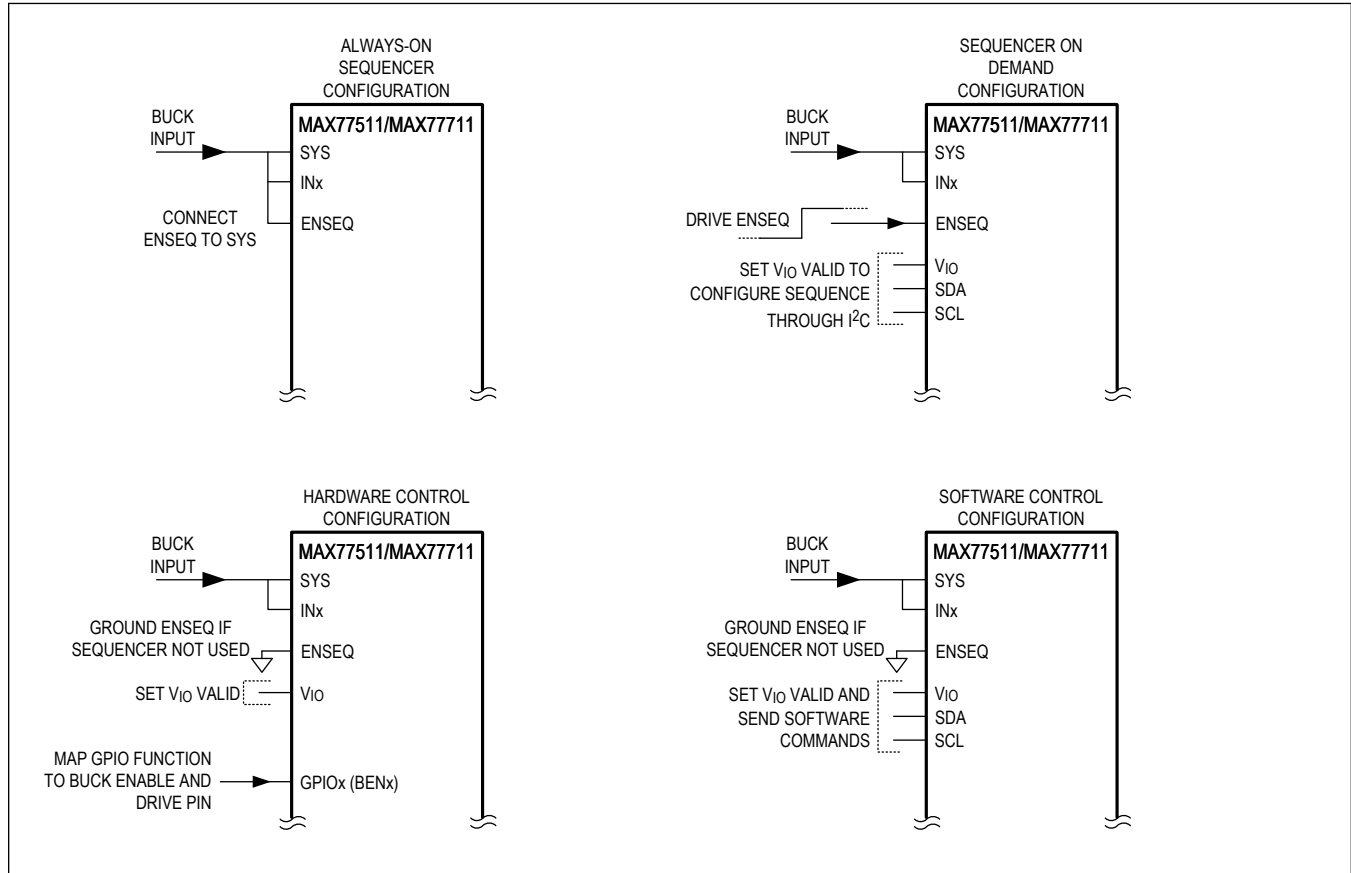


Figure 13. Buck Enable Options

### Sequencer Control (Always-On)

Strap the ENSEQ pin to SYS to configure the IC in an *always-on* configuration. See [Figure 13](#) (top left). The ICs built-in [Flexible Power Sequencer \(FPS\)](#) begins the power-up sequence whenever  $V_{SYS}$  is valid,  $FLT = 0$ , and  $nRSTIO = 1$ .

ENSEQ activates the factory-programmed (default) power-up sequence regardless of the validity of the  $V_{IO}$ . Ensure that registers remain in factory reset by connecting  $V_{IO}$  to ground on the PCB.

See [Table 4](#) and [Table 5](#) for the default sequence options corresponding to each MAX77511/MAX77711 part number.

### Sequencer Control (On Demand)

Control the buck regulators using the built-in [Flexible Power Sequencer \(FPS\)](#). See [Figure 13](#) (top right). Configure the power-up sequence through I<sup>2</sup>C and assert the ENSEQ pin logic-high to begin a sequenced startup. The buck regulators activate whenever  $FLT = 0$ ,  $nRSTIO = 1$ , and  $V_{SYS}$  is valid. Always drive the ENSEQ pin to prevent chatter in the FPS state machine.

### Hardware (GPIO) Control

Enable the buck regulators with hardware enable pins by mapping GPIOs to special buck control functions. See [Figure 13](#) (bottom left). Program  $\text{FUNCx}[2:0] = 0b001$  to set the corresponding GPIO as a buck enable input. Set the buck target (which buck the pin controls) using the corresponding  $\text{BSELx}[1:0]$  bitfield. See [GPIO Buck Control](#) for full details and an example.  $V_{IO}$  must be valid for the GPIOs to operate regardless of GPIO function map.

### Software (I<sup>2</sup>C) Control

Control the buck regulators using software commands sent over the I<sup>2</sup>C serial interface. See [Figure 13](#) (bottom right).

Assert  $V_{IO}$  valid and connect SDA and SCL to a serial host to enable the serial bus and full software control of the MAX77511/MAX77711. When using software, the serial host can do the following:

- Set the target output voltage,  $V_{\text{OUT-REGx}}$ .
- Set the DVS target output voltage,  $V_{\text{OUT-REG(DVS)x}}$ .
- Set the desired soft-start and soft-stop ramp rate ( $\Delta V_{\text{OUTx}}/\Delta t$ ).
- Set the peak inductor current limit,  $I_{\text{PEAK-HSx}}$ .
- Enable the buck regulator directly using the  $\text{BENx}[3:0]$  bitfield.
- Configure the buck regulator's sequencer slot assignment using the  $\text{BENx}[3:0]$  bitfield.
- Change regulator mode (SKIP, Turbo SKIP, FPWM) dynamically.
- Control the active discharge resistor using the  $\text{ADENx}$  bit.
- Set DVS rise and DVS fall ramp rates ( $\Delta V_{\text{OUTx}}/\Delta t$ ).
- Manage and clear faults (FLT) without external circuitry or system power cycling.
- Configure specialized GPIO function maps.
- Utilize spare GPIO to expand system I/O.
- Directly control the LDO (MAX77711 only).
- Selectively unmask important interrupt sources.

See the [I<sup>2</sup>C Serial Interface](#) and [Register Map](#) sections for more information. Configuration registers reset if  $V_{IO}$  becomes invalid or if SYS falls below the POR threshold.

### Input Capacitor Selection

Bypass each input pin with a 10 $\mu\text{F}$  nominal input capacitor ( $C_{\text{INx}}$ ) that maintains 1 $\mu\text{F}$  or higher effective capacitance at its working voltage. Larger values improve decoupling of the buck regulator, but increase inrush current from the voltage supply when connected.  $C_{\text{INx}}$  reduces the current peaks drawn from the input power source during buck operation and reduces switching noise in the system. The ESR/ESL of  $C_{\text{INx}}$  and its series PCB trace should be very low (i.e.,  $<15\text{m}\Omega + <2\text{nH}$ ) for frequencies up to 2MHz.

Ceramic capacitors with X5R or X7R dielectric are highly recommended due to their small size, low ESR, and small temperature coefficients. All ceramic capacitors derate with DC bias voltage (effective capacitance goes down as DC bias goes up). Generally, small case size capacitors derate heavily compared to larger case sizes (0603 case size performs better than 0402). Consider the effective capacitance value carefully by consulting the manufacturer's data sheet. Refer to [Tutorial 5527](#) for more information.

### Output Capacitor Selection

Sufficient output capacitance ( $C_{\text{OUT}}$ ) is required for stable operation of the buck. Choose the effective  $C_{\text{OUT}}$  to be 60 $\mu\text{F}$  per phase, minimum. (A single phase configuration requires 60 $\mu\text{F}$ , dual-phase requires 120 $\mu\text{F}$ , etc.)

Effective  $C_{\text{OUT}}$  is the actual capacitance value seen by the buck output during operation. Choose effective  $C_{\text{OUT}}$  carefully by considering the capacitor's initial tolerance, variation with temperature, and derating with DC bias. Refer to [Tutorial 5527](#) for more information.

Larger values of  $C_{OUT}$  (above the required effective minimum) improve load transient performance, but increase the input surge currents during soft-start and output voltage changes. The output filter capacitor must have low enough ESR to meet output ripple and load transient requirements. The output capacitance must be high enough to absorb the inductor energy while transitioning from full-load to no-load conditions. When using high-capacitance, low-ESR capacitors, the filter capacitor's ESR dominates the output voltage ripple in continuous conduction mode. Therefore, the size of the output capacitor depends on the maximum ESR required to meet the output voltage ripple ( $V_{RIPPLE(P-P)}$ ) specifications:

$$V_{RIPPLE(P-P)} = ESR \times I_{LOAD} \times LIR$$

where LIR is the inductor's ripple current to average current ratio. Compute LIR with Equation 3.

### Equation 3:

$$LIR = \frac{V_{OUT} \times (V_{IN} - V_{OUT})}{V_{IN} \times F_{SW} \times I_{LOAD} \times L}$$

where  $I_{LOAD}$  is the buck's output current in the particular application (3A/phase max),  $V_{IN}$  is the application's input voltage, and  $F_{SW}$  is the switching frequency (1MHz nominal).

Ceramic capacitors with X5R or X7R dielectric are highly recommended due to their small size, low ESR, and small temperature coefficients. All ceramic capacitors derate with DC bias voltage (effective capacitance goes down as DC bias goes up). Generally, small case size capacitors derate heavily compared to larger case sizes (0603 case size performs better than 0402). Consider the effective capacitance value carefully by consulting the manufacturer's data sheet.

## Inductor Selection

Choose an inductor with a saturation current that is greater than or equal to the maximum peak current limit setting ( $I_{PEAK-HSX}$ ). Inductors with lower saturation current and higher DCR ratings tend to be physically small. Higher values of DCR reduce buck efficiency. Choose the RMS current rating of the inductor (the current at which temperature rises appreciably) based on the system's expected load current per phase.

Choose an inductor value based on the range bit (RNGx).

- RNG = 0 requires 0.47 $\mu$ H
- RNG = 1 requires 1.5 $\mu$ H

See [Table 8](#) for additional information.

One inductor is required per phase. Do not short different LX nets together on the PCB. Do not use a single inductor on a 2 $\Phi$  configuration and short LX1 to LX2, etc.

Use the same inductor value for all phases under a single buck's control. For example, if buck 1 is configured in a 3 $\Phi$ , RNG = 0 configuration, then use 0.47 $\mu$ H for all inductors under buck 1 control (LX1, LX2, and LX3). See [Table 7](#) and the [Typical Application Circuits](#) section of the data sheet for more information regarding different phase configurations.

## Unused Bucks

Follow these guidelines when the application has unused buck converters:

- Connect unused inputs (INx) to SYS.
- Leave unused LXx and BSTx pins unconnected (open).
- Connect unused SNSx+ and SNSx- feedback inputs to ground.
- Connect PGNDx pins to ground on the PCB.

Do not confuse unused bucks with unused phases. Phases configured under a master controller must connect according to [Table 7](#). Refer to the [Typical Application Circuits](#) section of the data sheet for more information about how phases connect together in different IC configurations.

Do not enable unused bucks. If an unused buck (following the guidelines above) enables, then a fault state latches (FLT = 1). Clear the fault state by disabling the buck according to [Figure 10](#).

If using a version of the device that has an unused buck assigned to the flexible power sequencer (FPS) by default, choose one of the following options to prevent fault latching:

1. Do not use the FPS. (Follow the pin guidelines above and strap ENSEQ = 0 on the PCB.) Use software or GPIO special functions to enable the regulators.
2. Populate the buck's external components. (Treat the unused buck as a utilized buck.) Disable the buck through software after the power-up sequence completes to achieve quiescent power savings.

### PCB Layout Guidelines

Careful circuit board layout is critical to achieve low switching power losses and clean, stable operation. [Figure 14](#) shows an example PCB layout for the  $1\Phi+1\Phi+1\Phi+1\Phi$  configuration of the MAX77711.

Follow these guidelines when designing the PCB:

1. Place the inductors next to their corresponding LX bumps (as close as possible) to minimize PCB trace impedance. Excessive PCB impedance reduces converter efficiency.
2. Make the trace between the LX bumps and their corresponding inductor short and wide. Do not take up an excessive amount of area. The voltage on this node switches very quickly and additional area creates more radiated emissions.
3. Place the IN capacitors ( $C_{IN}$ ) as close to the IC as possible, typically next to their corresponding inductors. Use at least one input capacitor per switching phase. Connect the negative terminal of  $C_{IN}$  as close as possible to the negative terminal of  $C_{OUT}$  with a low-impedance high-priority path to the corresponding PGNDx bumps. This practice minimizes the switching current path length (i.e., the *hot loop* length).
4. The routing between LX and its corresponding BST capacitor should be as short as possible. Prioritize BST capacitor ( $C_{BST}$ ) placement to reduce trace length to the IC.
5. Connect each phase's corresponding PGND to the low-impedance ground plane on the PCB as close to the IC as possible. Do not create ground islands (PGND islands risk interrupting the hot loops).
6. Prioritize the low-impedance ground plane of the PCB directly underneath the IC,  $C_{OUT}$ ,  $C_{IN}$ , and inductor. Cutting this ground plane risks interrupting the switching current hot loops.
7. Place each phase's corresponding output capacitor ( $C_{OUT}$ ) as close to the IC as possible. Minimize the switching current hot loop by placing the negative terminal of  $C_{IN}$  as close as possible to the negative terminal of the corresponding  $C_{OUT}$ .
8. Connect the negative terminal of the  $V_{DD}$  bypass capacitor ( $C_{VDD}$ ) to AGND. Connect the negative terminal of the  $V_{L13}/V_{L24}$  bypass capacitors ( $C_{VL13}/C_{VL24}$ ) to PGND.
9. AGND must carefully connect to PGND on the PCB's low-impedance ground plane. Kelvin connect AGND to the low-impedance ground plane on the PCB (the same net as PGND) at least 3 millimeters away from the ICs edge. See [Figure 15](#) for an illustration.
10. The IC requires a quiet supply input (SYS) which is often the same net as INx. Carefully bypass SYS to AGND with a dedicated capacitor ( $C_{SYS}$ ). Route a dedicated trace between  $C_{SYS}$  and the SYS bump. Avoid connecting SYS directly to the nearest IN bumps without dedicated bypassing. See [Figure 16](#) for an illustration.
11. The value of  $C_{INLDO}$  should be larger than  $C_{LDO}$ . If  $C_{LDO} = 4.7\mu\text{F}$ , choose  $C_{INLDO} = 10\mu\text{F}$  or greater (MAX77711 only).
12. For the MAX77511, connect LDO and INLDO to ground. The LDO is unavailable for use for MAX77511.
13. Do not neglect ceramic capacitor DC voltage derating. Choose capacitor values and case sizes carefully. See the [Output Capacitor Selection](#) section and refer to [Tutorial 5527](#) for more information.

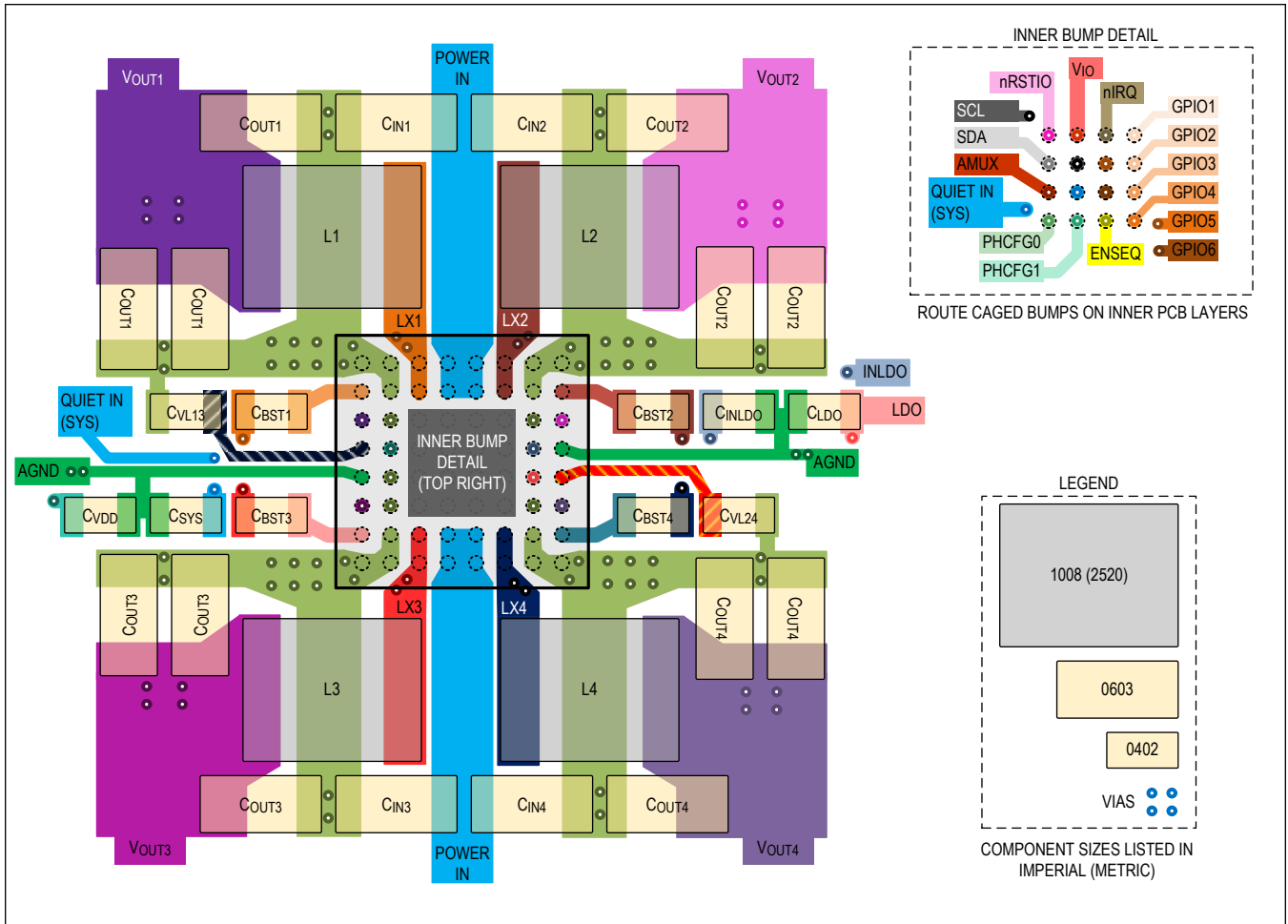


Figure 14. PCB Layout Example

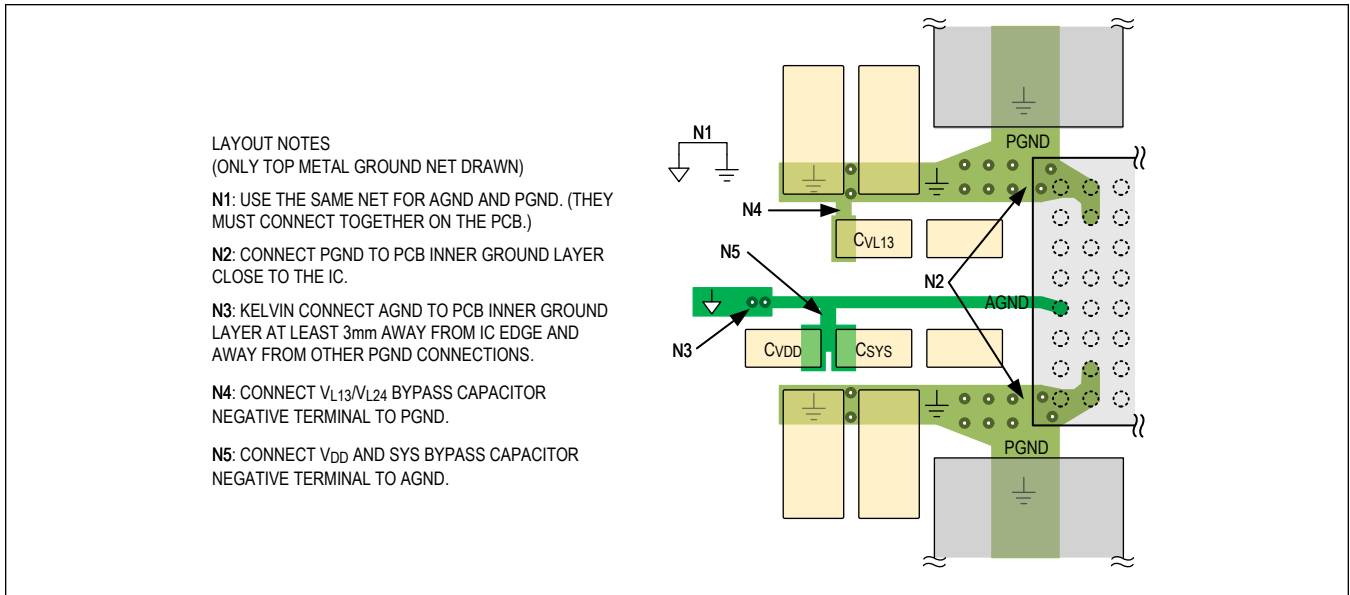


Figure 15. Recommended Ground Connection

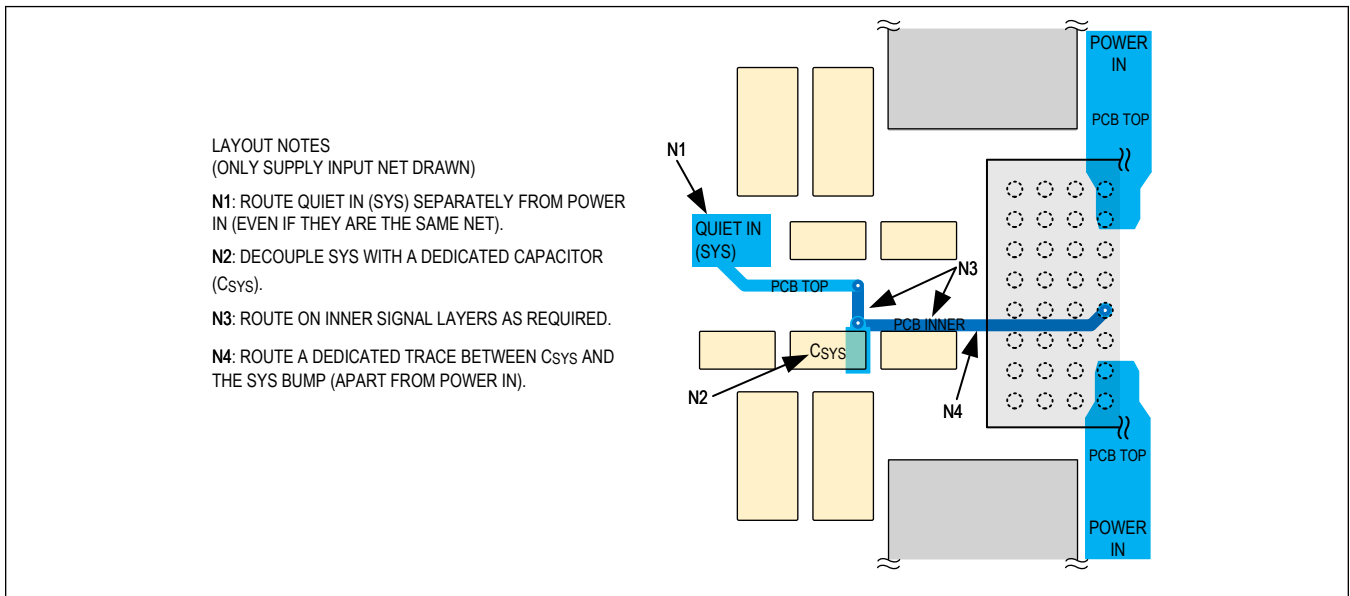


Figure 16. Recommended SYS Connection

**Advanced User Information**

The following sections outline advanced user information for the buck converter. Contact the factory for additional information.

**Transient Performance Option**

Internal options allow the MAX77511/MAX77711 to improve SKIP and Turbo SKIP mode transient response. See [Table 4](#) and [Table 5](#) to find if the *transient performance option* is enabled for each MAX77511/MAX77711 part number.

[Figure 17](#) details the effect of the *transient performance option* under a load transient while the buck is in Turbo SKIP mode. The *transient performance option*:

- Reduces undershoot upon load attack.
- Has no effect upon load release.
- Has no effect when the buck is in FPWM mode.

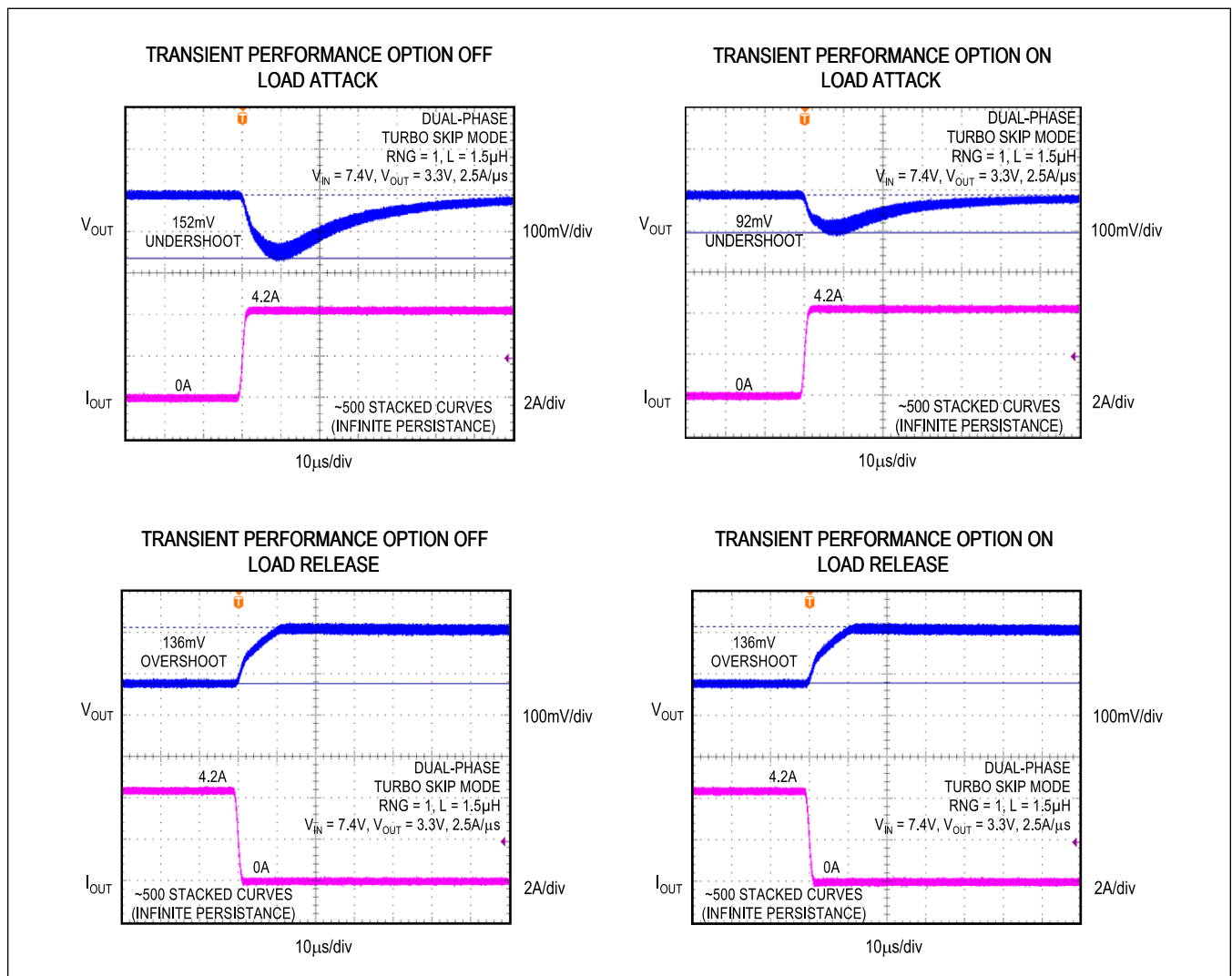


Figure 17. Effect of Transient Performance Option on Load Transient Response

The *transient performance option* also affects mode change behavior under static load. See [Figure 18](#). Enabling the *transient performance option*:

- Reduces undershoot upon mode change from FPWM to Turbo SKIP.
- Has no effect upon mode change from Turbo SKIP to FPWM.

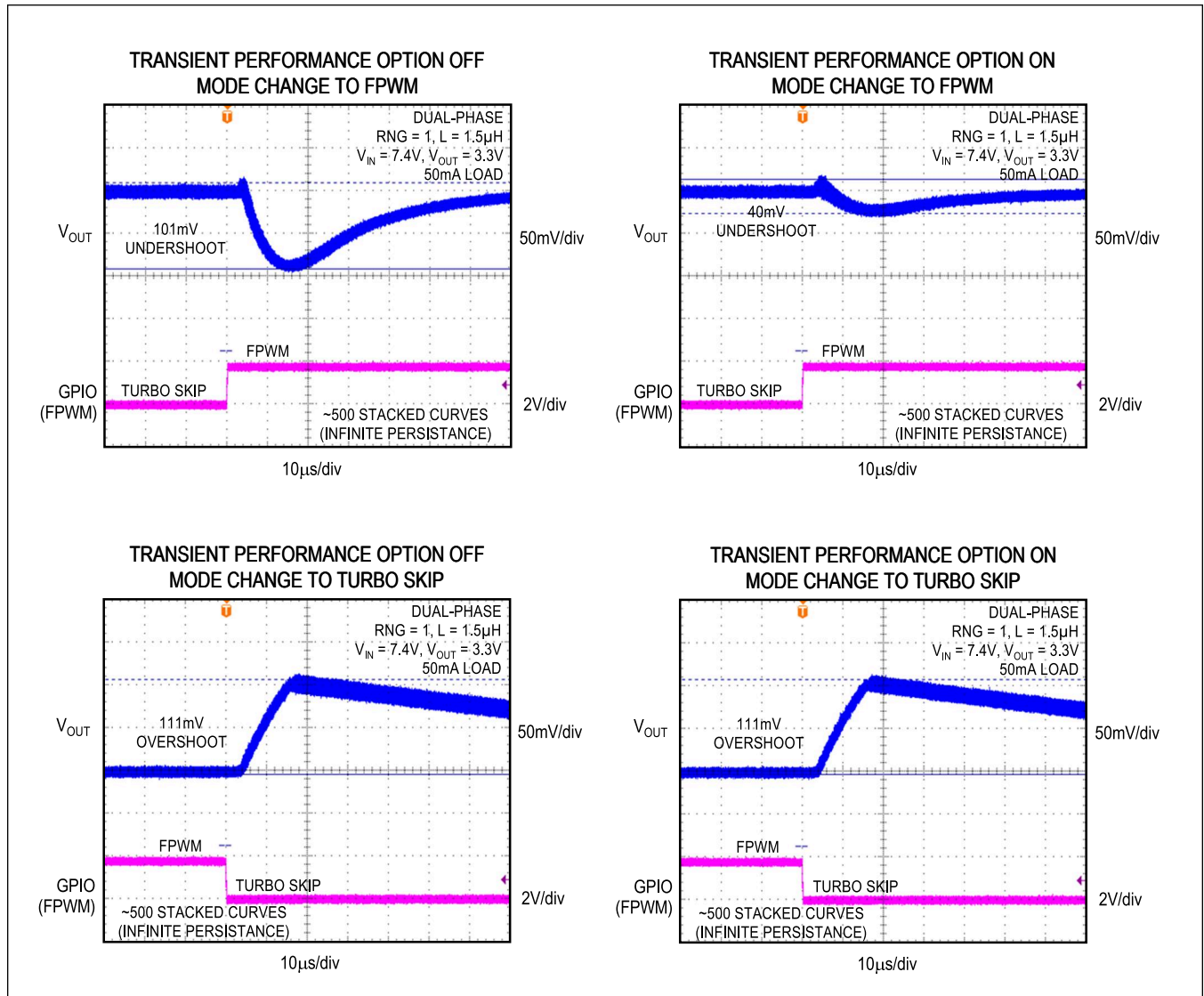


Figure 18. Effect of Transient Performance Option on Mode Change

While the *transient performance option* helps reduce the output disturbance during transients and mode changes, it also causes unintentional mode chatter which results in extra  $V_{OUT}$  ripple at certain loads. [Figure 19](#) details the unintended side effect of the *transient performance option* when the load is near the CCM/DCM boundary.

- The *transient performance option* causes the device to chatter between its low-power SKIP mode and full-power CCM mode when inductor current is close to the CCM/DCM boundary. This causes extra  $V_{OUT}$  ripple.
- Mode chatter stops when the *transient performance option* is off. A single mode-change ripple event is observed upon mode change.



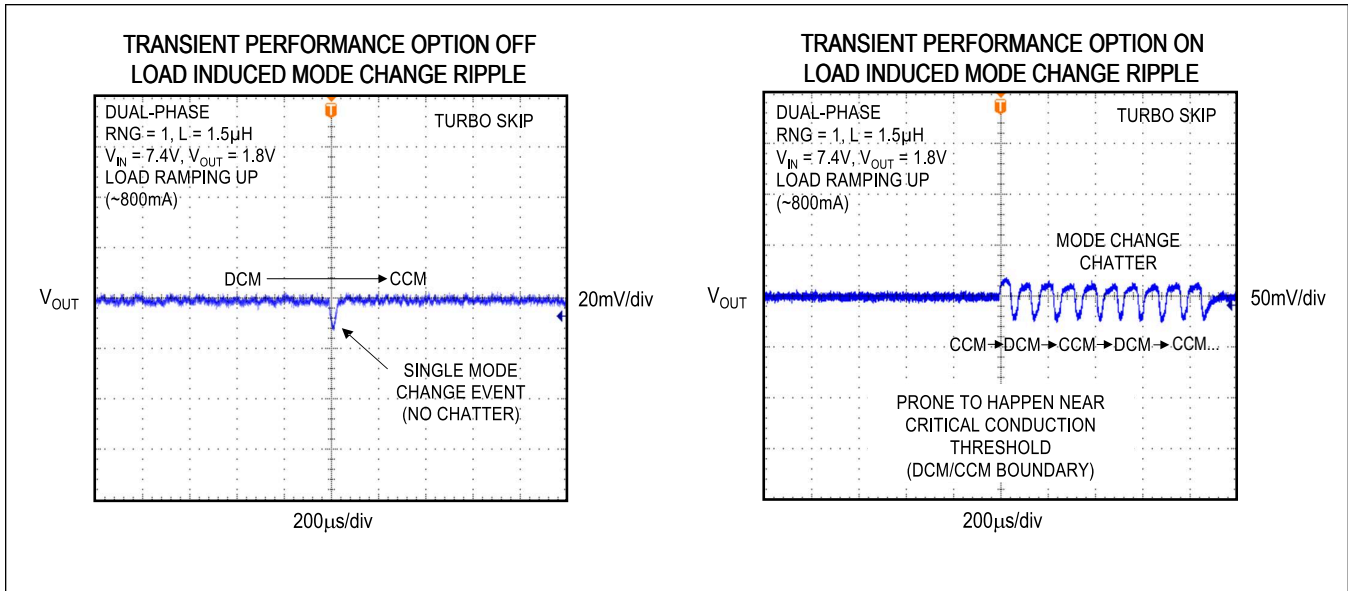


Figure 19. Effect of Transient Performance Option on Mode Chatter

Applications must decide if the extra ripple around the critical conduction load (DCM/CCM boundary) is tolerable when requesting a version of the IC with the *transient performance option* on. Use Equation 5 to estimate the buck's critical conduction load (I<sub>CRIT</sub>).

**Equation 5:**

$$I_{CRIT} = \frac{N}{2} \times \frac{V_{OUT} \times (V_{IN} - V_{OUT})}{V_{IN} \times F_{SW} \times L}$$

where N is the number of phases, F<sub>SW</sub> is 1MHz, and L is either 0.47μH or 1.5μH depending on the range setting (RNGx bit).

**Assisted Active Discharge after Soft-Stop**

An internal option improves the effectiveness of the *Active Discharge Resistor* function.

The active discharge function is either *assisted* or *normal* depending on the part number (see [Table 4](#) and [Table 5](#)). Active discharge (*normal* or *assisted*) only works when the corresponding ADENx bit is set.

- *Normal* active discharge connects an internal 100Ω resistor (R<sub>LX-AD</sub>) between LXx and PGNDx to discharge the output capacitor after soft-stop finishes. Any residual voltage remaining on C<sub>OUT</sub> after soft-stop discharges through R<sub>LX-AD</sub>.
- *Assisted* active discharge connects an internal 0.6Ω (on-resistance) MOSFET between LXx and PGNDx to quickly discharge the output capacitor for 3ms after soft-stop finishes. During this 3ms, the buck converter cannot re-enable. Applications must wait for the 3ms hold-off time to expire before the buck can enable again.

The 3ms active discharge timer starts counting down after soft-stop completes and is subject to the root oscillator accuracy. See [Figure 20](#).

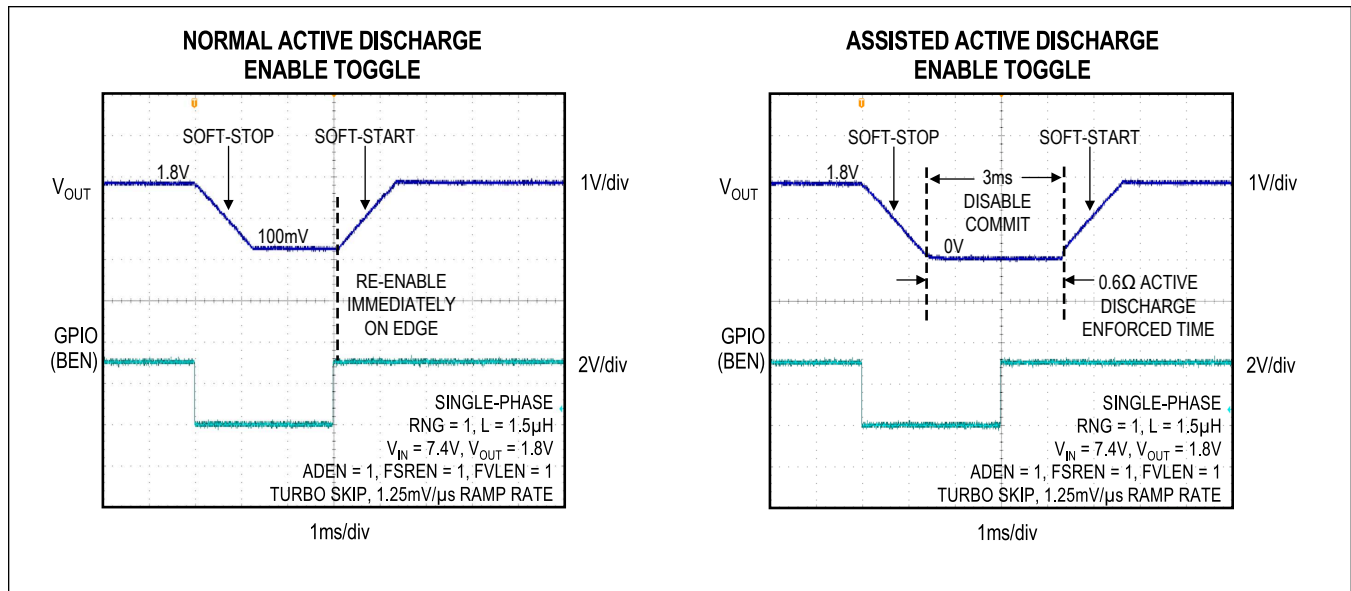


Figure 20. Normal vs. Assisted Active Discharge

### Soft-Start Peak Inductor Current Limit Override

An available internal option overrides the peak inductor current limit ( $I_{PEAK-HSx}$ ) to 1.5A during soft-start. [Table 4](#) and [Table 5](#) list whether the override is enabled for each MAX77511/MAX77711 part number.

If the override is enabled, the inductor peak current limit is forced to 1.5A regardless of the  $ILIMx[1:0]$  control bitfield during the soft-start ramp. The  $ILIMx[1:0]$  bitfield still controls the peak current limit after soft-start finishes. If the override is disabled, then inductor peak current limit follows the  $ILIMx[1:0]$  control field at all times while the buck is enabled.

Carefully consider the following to determine if this override is needed:

- Each buck has a soft-start ramp rate control ( $SFTUPDNx[2:0]$ ) configurable from 0.15mV/μs to 40mV/μs. This ramp rate is factory-programmable. Use slower ramp rates to minimize input current during buck startup.
- Each buck has an inductor peak current limit ( $ILIMx[1:0]$ ) control from 1.5A to 4.5A. This value is also factory-programmable. Use smaller limit values to minimize input current in the event of startup into excessive  $C_{OUT}$  or short-circuit.

The soft-start rate and  $I_{PEAK-HSx}$  factory options provide most applications a method of limiting inrush current during buck startup. Choose to override the soft-start current limit to 1.5A for additional safety.

Consider that a low inductor current limit during soft-start might result in a non-linear soft-start ramp. It is possible that the override affects normal startup behavior. [Figure 21](#) shows an example of the override not affecting soft-start. The soft-start rate is slow enough that inductor current does not exceed 1.5A during the ramp time.

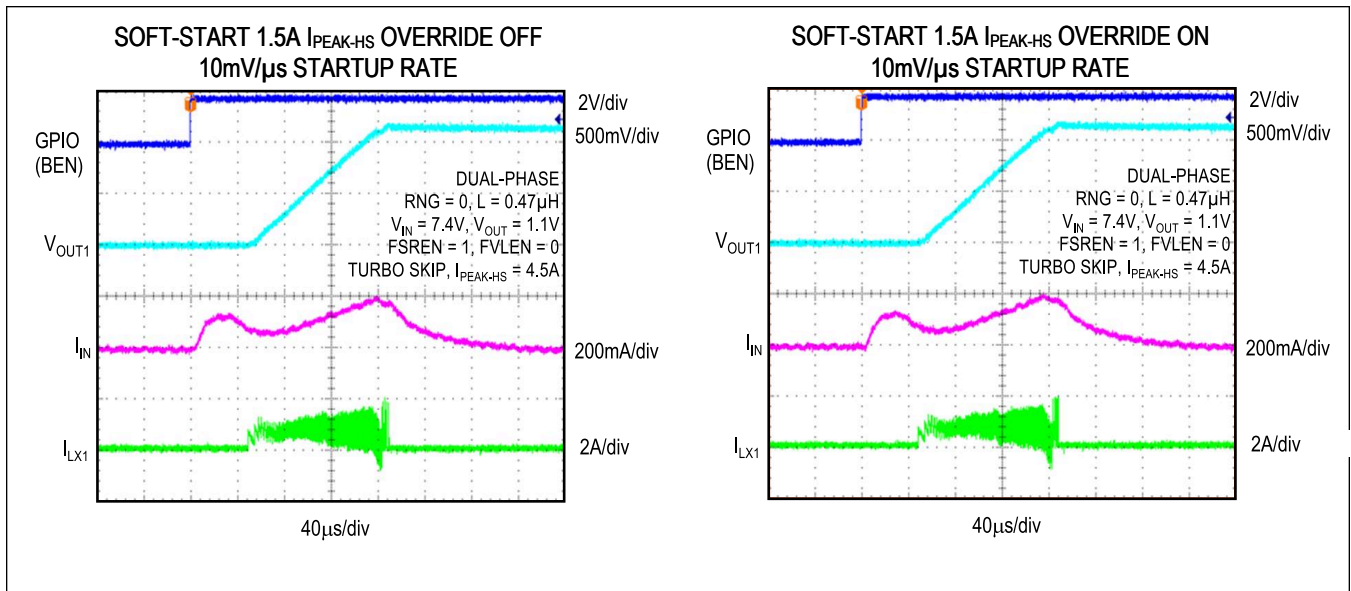


Figure 21. Override Not Affecting Soft-Start Ramp Comparison

Figure 22 shows an example where the override slows down the soft-start. The soft-start rate is fast enough such that the 1.5A peak limit interferes with the buck's ability to produce the commanded  $V_{OUT}$  ramp rate. To compensate for the slowed ramp during the override period, inductor current rises very quickly to the normal limit (set by  $ILIMx[1:0]$ ) after the soft-start time finishes. Note how the override causes a *higher* peak input current as a result of the slowed  $V_{OUT}$  ramp rate during the override.

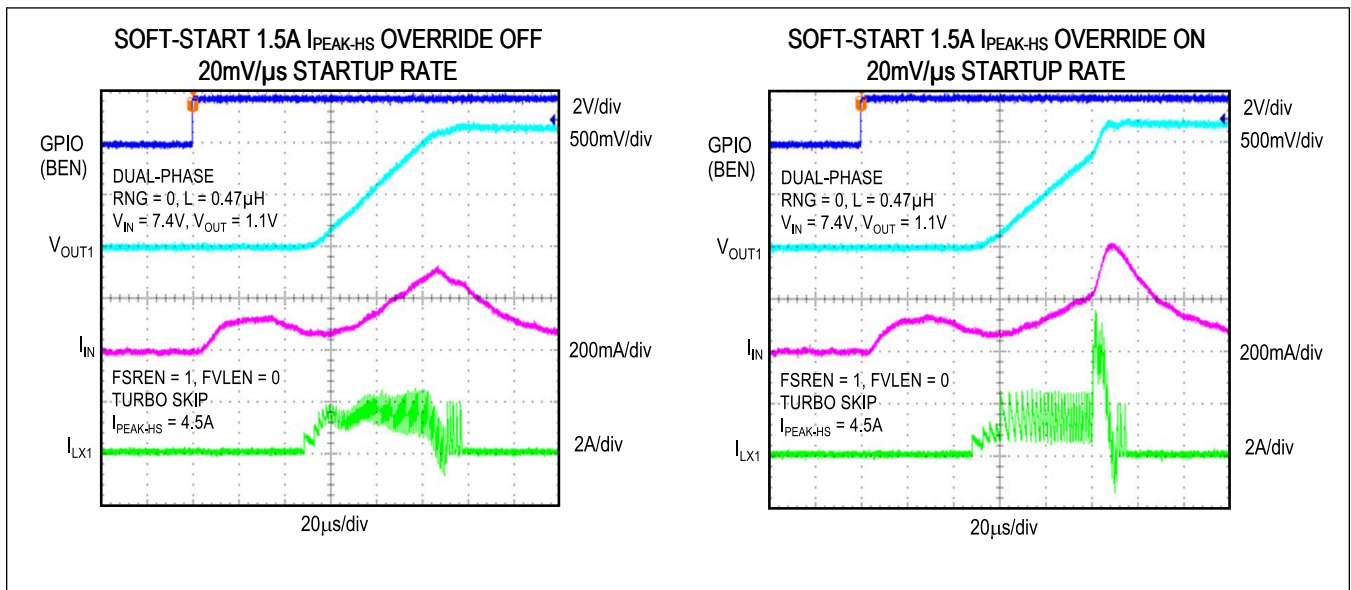


Figure 22. Override Slowing Soft-Start Rate Causing Higher Inrush Current Comparison

## Applications Information—Linear Regulator (MAX77711 Only)

### LDO Input/Output Capacitor Selection

Bypass INLDO to ground on the PCB with a minimum 10 $\mu$ F ceramic capacitor. If INLDO is connected to the output of a buck regulator, then the buck's C<sub>OUT</sub> has sufficient bypassing if the capacitors are placed close to the edge of the die and the INLDO pin routing is high-priority. Buck 2 and buck 4 are physically close to INLDO and are good candidates for INLDO power.

Bypass the LDO output to ground on the PCB with a minimum 4.7 $\mu$ F ceramic capacitor that maintains at least 2.2 $\mu$ F of effective capacitance at bias.

Ceramic capacitors with X5R or X7R dielectric are highly recommended due to their small size, low ESR, and small temperature coefficients. All ceramic capacitors derate with DC bias voltage (effective capacitance goes down as DC bias goes up). Generally, small case size capacitors derate heavily compared to larger case sizes (0603 case size performs better than 0402). Consider the effective capacitance value carefully by consulting the manufacturer's data sheet.

### LDO Startup Rate and Inrush Current

LDO startup rate is controlled by a 4mV/ $\mu$ s typical soft-start ramp ( $\Delta V_{LDO}/\Delta t$ ). Larger values of output capacitance (C<sub>LDO</sub>) result in higher input current surges during startup.

Calculate the input current surges during startup using Equation 4.

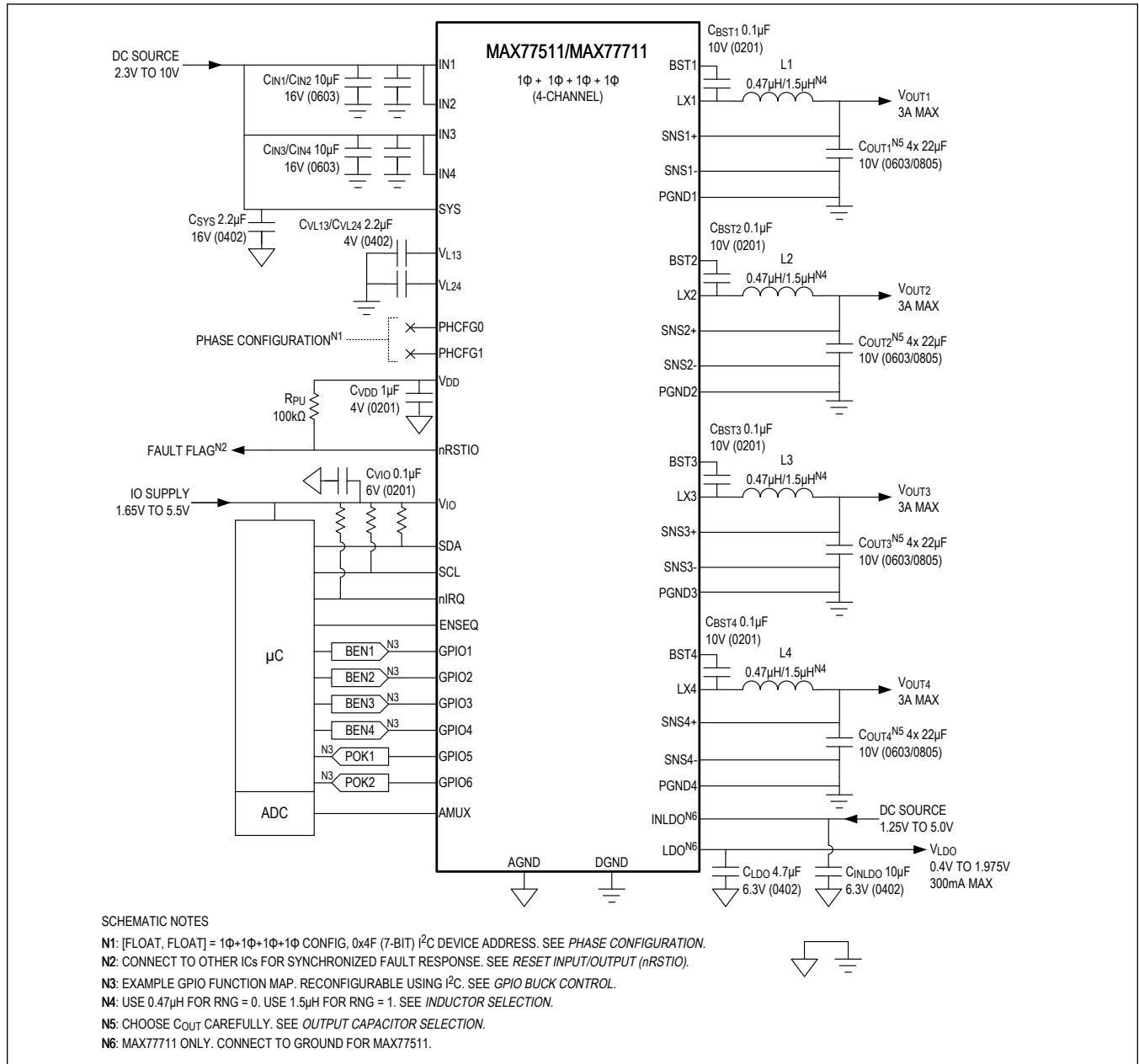
#### Equation 4:

$$I_{INLDO} = C_{LDO} \times \frac{\Delta V_{LDO}}{\Delta t}$$

where  $\Delta V_{LDO}/\Delta t$  is the startup ramp rate of the LDO output (4mV/ $\mu$ s typ) and C<sub>LDO</sub> is the LDO output capacitance (2.2 $\mu$ F minimum required). Applications that are sensitive to inrush current from the DC source should select an LDO output capacitor as close to the minimum stability requirement as possible, while at the same time, maximizing the INLDO capacitance to filter any large current spikes from the DC source.

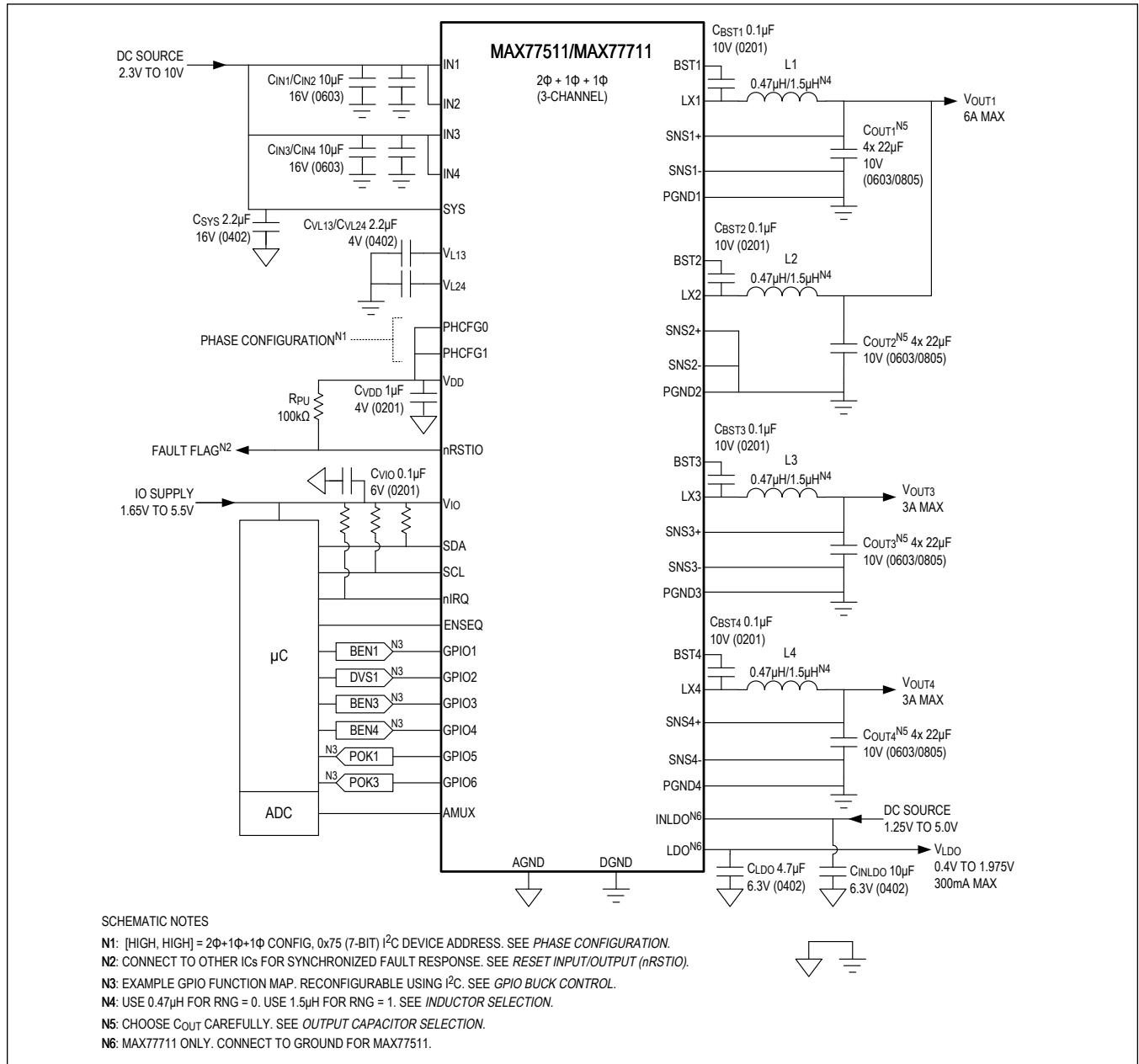
Typical Application Circuits

1Φ+1Φ+1Φ+1Φ Configuration (4 Outputs)



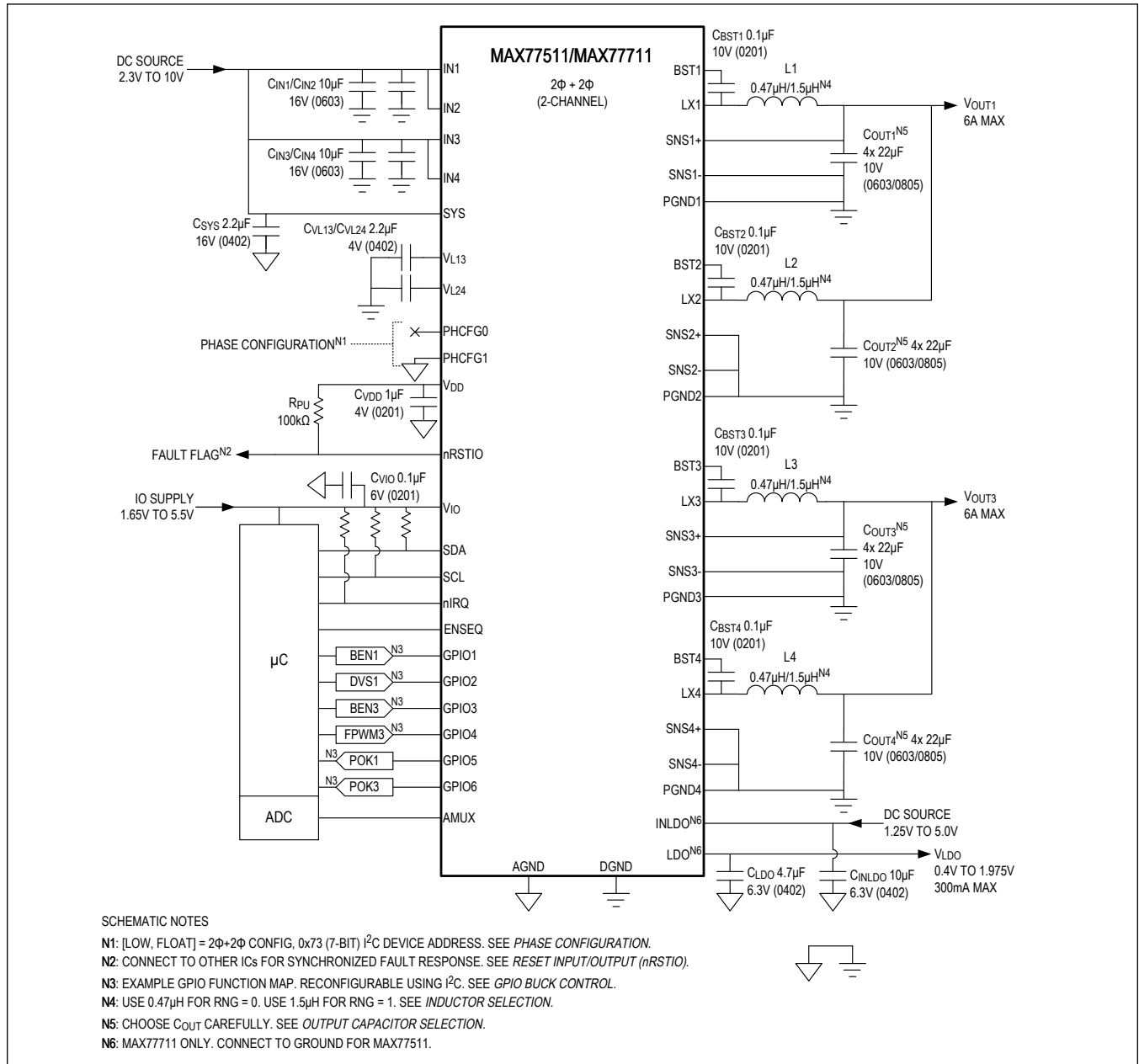
Typical Application Circuits (continued)

2Φ+1Φ+1Φ Configuration (3 Outputs)



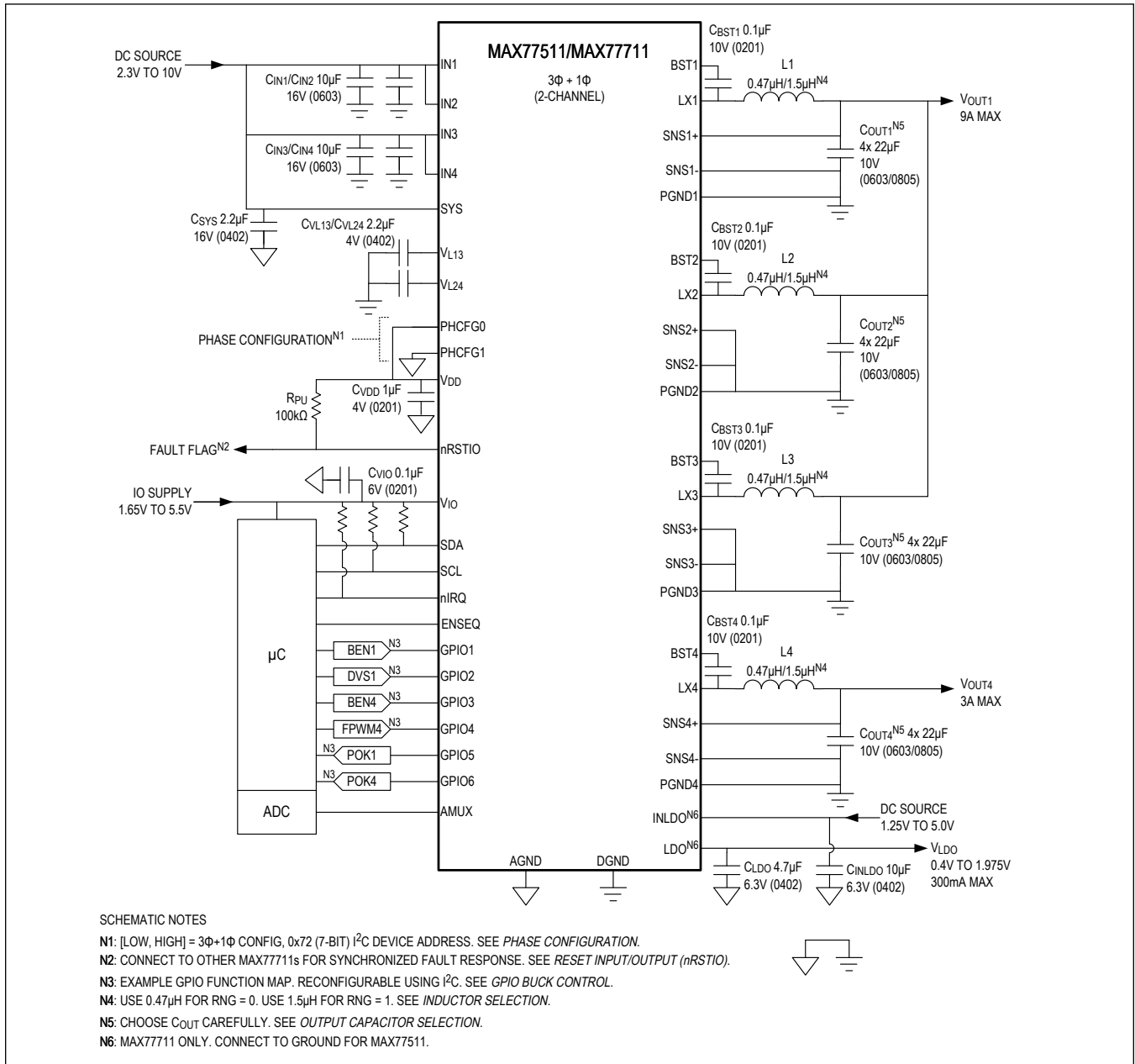
Typical Application Circuits (continued)

2Φ+2Φ Configuration (2 Outputs)



Typical Application Circuits (continued)

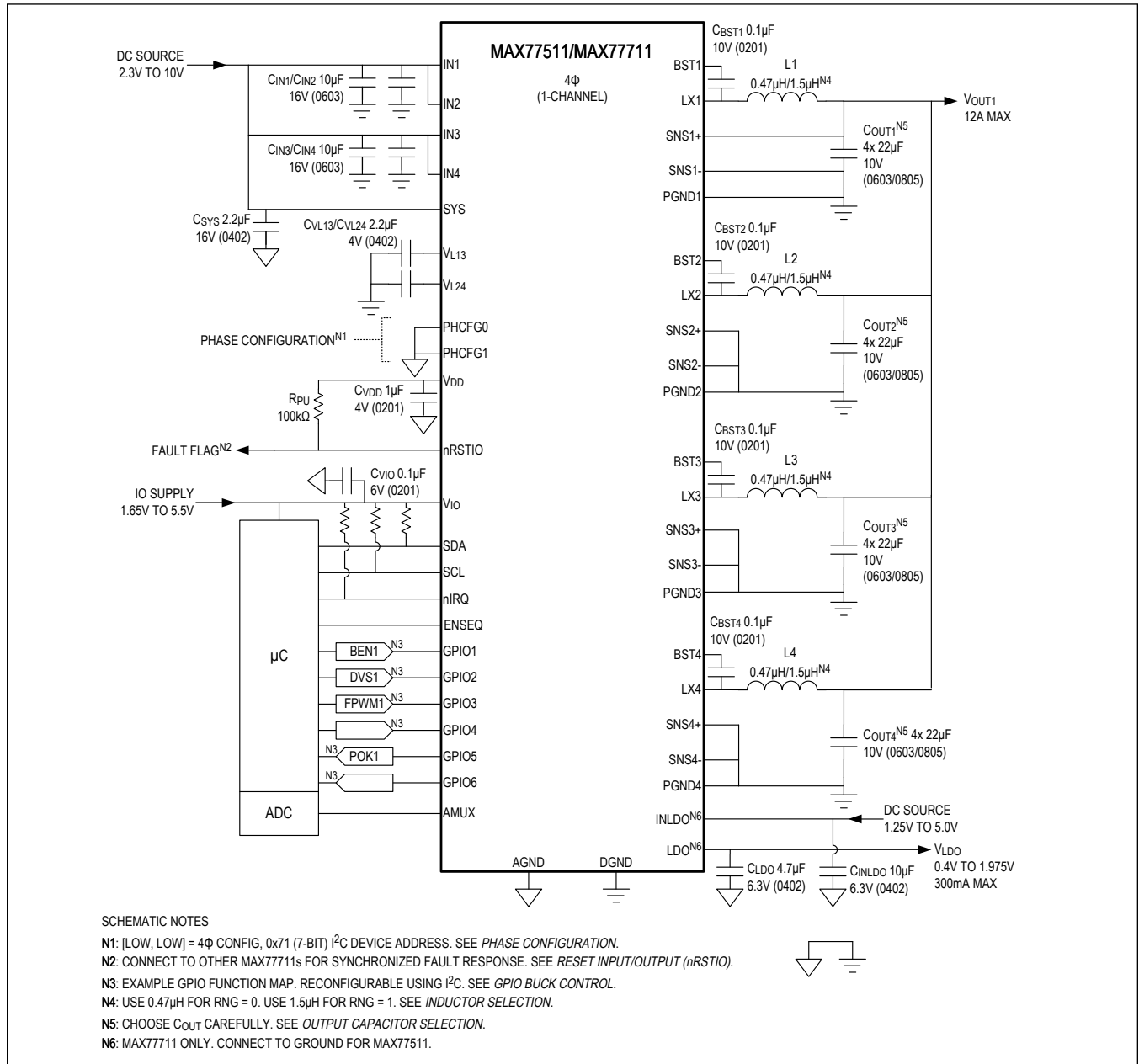
3Φ+1Φ Configuration (2 Outputs)





Typical Application Circuits (continued)

4Φ Configuration (1 Output)



## Ordering Information

| PART NUMBER    | OUTPUT VOLTAGE DEFAULTS***                                                                                                                                                              | CHIP IDENTIFICATION | FACTORY OPTIONS** |
|----------------|-----------------------------------------------------------------------------------------------------------------------------------------------------------------------------------------|---------------------|-------------------|
| MAX77511AEWB+T | V <sub>OUT1</sub> = 3.3V (RNG1 = 1)<br>V <sub>OUT2</sub> = 1.8V (RNG2 = 1)<br>V <sub>OUT3</sub> = 5.0V (RNG3 = 1)<br>V <sub>OUT4</sub> = 2.5V (RNG4 = 1)<br>LDO unavailable             | CID[3:0] = 0x1      | 511A              |
| MAX77511LEWB+T | V <sub>OUT1</sub> = 1.0V (RNG1 = 0)<br>V <sub>OUT2</sub> = 1.0V (RNG2 = 0)<br>V <sub>OUT3</sub> = 3.3V (RNG3 = 1)<br>V <sub>OUT4</sub> = 0.95V (RNG4 = )<br>LDO unavailable             | CID[3:0] = 0x9      | 511L              |
| MAX77511MEWB+T | V <sub>OUT1</sub> = 3.3V (RNG1 = 1)<br>V <sub>OUT2</sub> = 3.3V (RNG2 = 1)<br>V <sub>OUT3</sub> = 5.0V (RNG3 = 1)<br>V <sub>OUT4</sub> = 5.0V (RNG4 = 1)<br>LDO unavailable             | CID[3:0] = 0x7      | 511M              |
| MAX77511REWB+T | V <sub>OUT1</sub> = 1.2V (RNG1 = 0)<br>V <sub>OUT2</sub> = 1.2V (RNG2 = 0)<br>V <sub>OUT3</sub> = 1.2V (RNG3 = 0)<br>V <sub>OUT4</sub> = 1.8V (RNG4 = 1)<br>LDO unavailable             | CID[3:0] = 0x8      | 511R              |
| MAX77711AEWB+T | V <sub>OUT1</sub> = 0.7V (RNG1 = 0)<br>V <sub>OUT2</sub> = 1.2V (RNG2 = 0)<br>V <sub>OUT3</sub> = 1.8V (RNG3 = 1)<br>V <sub>OUT4</sub> = 3.3V (RNG4 = 1)<br>V <sub>LDO</sub> = 1.8V     | CID[3:0] = 0x0      | 711A              |
| MAX77711BEWB+T | V <sub>OUT1</sub> = 0.93V (RNG1 = 0)<br>V <sub>OUT2</sub> = 0.93V (RNG2 = 0)<br>V <sub>OUT3</sub> = 0.93V (RNG3 = 0)<br>V <sub>OUT4</sub> = 1.23V (RNG4 = 0)<br>V <sub>LDO</sub> = 0.4V | CID[3:0] = 0x2      | 711B              |
| MAX77711CEWB+T | V <sub>OUT1</sub> = 1.1V (RNG1 = 0)<br>V <sub>OUT2</sub> = 1.2V (RNG2 = 0)<br>V <sub>OUT3</sub> = 1.8V (RNG3 = 1)<br>V <sub>OUT4</sub> = 3.3V (RNG4 = 1)<br>V <sub>LDO</sub> = 0.6V     | CID[3:0] = 0x4      | 711C              |
| MAX77711DEWB+T | V <sub>OUT1</sub> = 0.25V (RNG1 = 0)<br>V <sub>OUT2</sub> = 0.25V (RNG2 = 0)<br>V <sub>OUT3</sub> = 0.25V (RNG3 = 1)<br>V <sub>OUT4</sub> = 0.25V (RNG4 = 1)<br>V <sub>LDO</sub> = 0V   | CID[3:0] = 0x5      | 711D              |

T = Tape and reel.

\*\*See [Table 4](#) and [Table 5](#) for a selector guide.

\*\*\*Default voltage and trim target for each buck master controller. See [Table 7](#).

## Revision History

| REVISION NUMBER | REVISION DATE | DESCRIPTION                                                                                                                                                                                                                                                                                                                                                                                                                                                                                                                                     | PAGES CHANGED                                                                |
|-----------------|---------------|-------------------------------------------------------------------------------------------------------------------------------------------------------------------------------------------------------------------------------------------------------------------------------------------------------------------------------------------------------------------------------------------------------------------------------------------------------------------------------------------------------------------------------------------------|------------------------------------------------------------------------------|
| 0               | 4/19          | Initial release                                                                                                                                                                                                                                                                                                                                                                                                                                                                                                                                 | —                                                                            |
| 1               | 6/19          | Updated <i>Electrical Characteristics</i> tables, <i>Typical Operating Characteristics</i> , <i>Bump Descriptions</i> table, Figures 4, 10, 12, and 14, <i>Factory Options</i> section, <i>Active Discharge Resistor</i> section, <i>LDO Software Enable</i> section, <i>Register Details</i> tables, <i>Sequencer Control (Always-On)</i> section, <i>PCB Layout Guidelines</i> section, and <i>Ordering Information</i> table, added Table 4, <i>Test Mode</i> section, <i>Unused Bucks</i> section, <i>Advanced User Information</i> section | 8, 9, 12, 13, 17–24, 27, 36–38, 44, 49, 51, 52, 58, 71, 82, 84–86, 88–92, 99 |
| 2               | 2/20          | Updated Table 4 and <i>Ordering Information</i> table; added Table 5                                                                                                                                                                                                                                                                                                                                                                                                                                                                            | 38–41, 102                                                                   |
| 3               | 3/20          | Updated <i>Ordering Information</i> table                                                                                                                                                                                                                                                                                                                                                                                                                                                                                                       | 102                                                                          |
| 4               | 6/21          | Updated <i>Benefits and Features</i> section, Note 2, Table 4, Figure 7, Figure 9, <i>Register Details</i> , and <i>Ordering Information</i> table                                                                                                                                                                                                                                                                                                                                                                                              | 1, 10, 36, 37, 46, 47, 59, 99                                                |

For pricing, delivery, and ordering information, please visit Maxim Integrated's online storefront at <https://www.maximintegrated.com/en/storefront/storefront.html>.

Maxim Integrated cannot assume responsibility for use of any circuitry other than circuitry entirely embodied in a Maxim Integrated product. No circuit patent licenses are implied. Maxim Integrated reserves the right to change the circuitry and specifications without notice at any time. The parametric values (min and max limits) shown in the *Electrical Characteristics* table are guaranteed. Other parametric values quoted in this data sheet are provided for guidance.