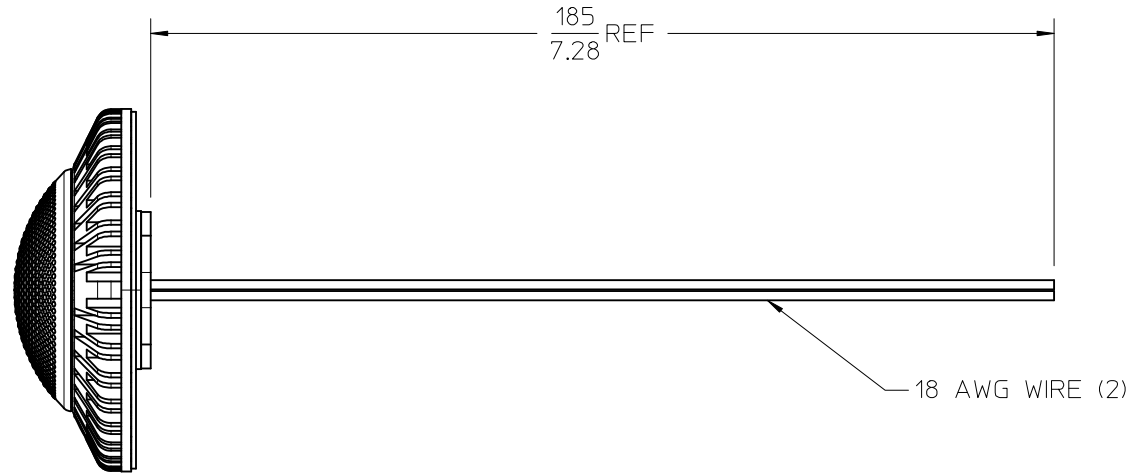


NOTES:

- 1) ALL DIMENSIONS IN MM/INCH.
- 2) MODULE MUST ONLY BE INSTALLED IN FIXTURES THAT ALLOW FREE AIRFLOW. SEALED OR OTHERWISE ENCLOSED FIXTURES COULD PREVENT PROPER FUNCTION.
- 3) PRODUCT TO MEET RoHS REQUIREMENTS.
- 4) SEE CHART FOR VOLTAGE AND CURRENT.
- 5) MODULES ARE TRAY PACKED PER PACKAGING SPEC. PK-76972-80.

REVISED/ADD SHT EC NO: UCP2010-0854 DRAWN:DMCGOWAN 2009/10/21 CHKD: 2009/10/21 APPR:VZADEREJ 2009/10/21	DESCRIPTION REV	QUALITY SYMBOLS	GENERAL TOLERANCES (UNLESS SPECIFIED)		DIMENSION STYLE		SCALE	DESIGN UNITS	THIRD ANGLE PROJECTION		
		▼=0 ▽=0	mm	INCH	MM/IN		1:1	METRIC			
			4 PLACES ± --- ± ---	3 PLACES ± --- ± .008	DRAWN BY	DATE	TITLE				
			2 PLACES ± 0.20 ± .012	1 PLACE ± 0.30 ± ---	DMCGOWAN	2009/05/22	MOLEX PM3 LED PUCK MODULE SALES DRAWING MOLEX INCORPORATED				
	ANGULAR ±1/2°		CHECKED BY	DATE	MOLEX INCORPORATED DOCUMENT NO. SD-76972-000 SHEET NO. 1 OF 3						
A3		DRAFT WHERE APPLICABLE MUST REMAIN WITHIN DIMENSIONS		MATERIAL NO. SEE CHART		THIS DRAWING CONTAINS INFORMATION THAT IS PROPRIETARY TO MOLEX INCORPORATED AND SHOULD NOT BE USED WITHOUT WRITTEN PERMISSION					

10 9 8 7 6 5 4 3 2 1



WIRED VERSIONS

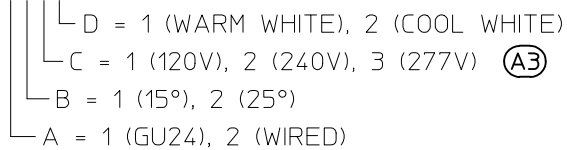
SEE SHEET 1 EC NO: UCP2010-0854 DRAWN: DMCGOWAN 2009/10/21 CHKD: 2009/10/21 APPR: VZADEREJ 2009/10/21	QUALITY SYMBOLS	GENERAL TOLERANCES (UNLESS SPECIFIED)		DIMENSION STYLE	SCALE	DESIGN UNITS	THIRD ANGLE PROJECTION		
	$\nabla F/0$	mm	INCH	MM/IN	1:1	METRIC			
	$\nabla F/0$	4 PLACES ± ---	± ---	DRAWN BY DATE	TITLE <b>MOLEX PM3 LED PUCK MODULE SALES DRAWING</b>				
	$\nabla F/0$	3 PLACES ± ---	± .008	DMCGOWAN 2009/05/22					
$\nabla F/0$	2 PLACES ± 0.20	± .012	CHECKED BY DATE	MATERIAL NO. DOCUMENT NO. SHEET NO.					
	1 PLACE ± 0.30	± ---	DMCGOWAN 2009/05/22						
		ANGULAR ± 1/2°		APPROVED BY DATE	MOLEX INCORPORATED		SD-76972-000		
		DRAFT WHERE APPLICABLE MUST REMAIN WITHIN DIMENSIONS		SEE CHART	THIS DRAWING CONTAINS INFORMATION THAT IS PROPRIETARY TO MOLEX INCORPORATED AND SHOULD NOT BE USED WITHOUT WRITTEN PERMISSION				
A3	REV			SIZE B					

9 8 7 6 5 4 3 2 1

ASSEMBLY P/N	GU24 OR WIRED	BEAM ANGLE	VOLTAGE	COLOR TEMP	STATUS
76972-1111	GU24	150°	120 VAC, 60 HZ, 40mA	WARM	TOOLED
76972-1112	GU24	150°	120 VAC, 60 HZ, 40mA	COOL	TOOLED
76972-1121	GU24	150°	240 VAC, 50 HZ, 20mA	WARM	TOOLED
76972-1122	GU24	150°	240 VAC, 50 HZ, 20mA	COOL	TOOLED
76972-1131	GU24	150°	277 VAC, 60 HZ, 20mA	WARM	NOT TOOLED
76972-1132	GU24	150°	277 VAC, 60 HZ, 20mA	COOL	NOT TOOLED
76972-1211	GU24	TBD	120 VAC, 60 HZ, 40mA	WARM	NOT TOOLED
76972-1212	GU24	TBD	120 VAC, 60 HZ, 40mA	COOL	NOT TOOLED
76972-1221	GU24	TBD	240 VAC, 50 HZ, 20mA	WARM	NOT TOOLED
76972-1222	GU24	TBD	240 VAC, 50 HZ, 20mA	COOL	NOT TOOLED
76972-1231	GU24	TBD	277 VAC, 60 HZ, 20mA	WARM	NOT TOOLED
76972-1232	GU24	TBD	277 VAC, 60 HZ, 20mA	COOL	NOT TOOLED
76972-2111	WIRED	150°	120 VAC, 60 HZ, 40mA	WARM	TOOLED
76972-2112	WIRED	150°	120 VAC, 60 HZ, 40mA	COOL	TOOLED
76972-2121	WIRED	150°	240 VAC, 50 HZ, 20mA	WARM	TOOLED
76972-2122	WIRED	150°	240 VAC, 50 HZ, 20mA	COOL	TOOLED
76972-2131	WIRED	150°	277 VAC, 60 HZ, 20mA	WARM	NOT TOOLED
76972-2132	WIRED	150°	277 VAC, 60 HZ, 20mA	COOL	NOT TOOLED
76972-2211	WIRED	TBD	120 VAC, 60 HZ, 40mA	WARM	NOT TOOLED
76972-2212	WIRED	TBD	120 VAC, 60 HZ, 40mA	COOL	NOT TOOLED
76972-2221	WIRED	TBD	240 VAC, 50 HZ, 20mA	WARM	NOT TOOLED
76972-2222	WIRED	TBD	240 VAC, 50 HZ, 20mA	COOL	NOT TOOLED
76972-2231	WIRED	TBD	277 VAC, 60 HZ, 20mA	WARM	NOT TOOLED
76972-2232	WIRED	TBD	277 VAC, 60 HZ, 20mA	COOL	NOT TOOLED

(A3)

P/N 76972-ABCD



SEE SHEET 1 EC NO: UCP2010-0854 DRAWN BY: DMCGOWAN 2009/10/21 CHKD: 2009/10/21 APPR: VZADEREJ 2009/10/21 A3	QUALITY SYMBOLS ▽=0 ▽=0	GENERAL TOLERANCES (UNLESS SPECIFIED)		DIMENSION STYLE MM/IN		SCALE 1:1	DESIGN UNITS METRIC	THIRD ANGLE PROJECTION		
						DRAWN BY DATE DMCGOWAN 2009/05/22		TITLE <b>MOLEX PM3 LED PUCK MODULE SALES DRAWING</b>		
						CHECKED BY DATE DMCGOWAN 2009/05/22				
						APPROVED BY DATE		MATERIAL NO. DOCUMENT NO. SHEET NO. SEE CHART SD-76972-000 3 OF 3		
		ANGULAR ±1/2°				MOLEX INCORPORATED THIS DRAWING CONTAINS INFORMATION THAT IS PROPRIETARY TO MOLEX INCORPORATED AND SHOULD NOT BE USED WITHOUT WRITTEN PERMISSION				
		DRAFT WHERE APPLICABLE MUST REMAIN WITHIN DIMENSIONS								