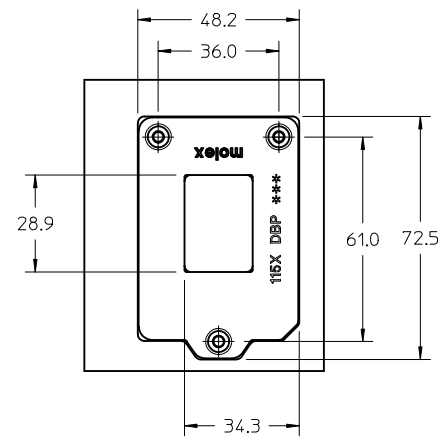
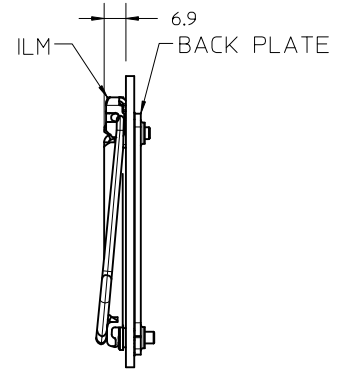
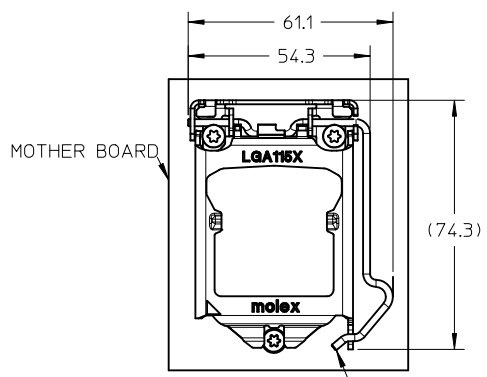
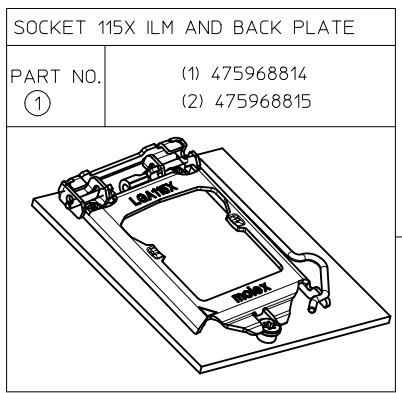


10 9 8 7 6 5 4 3 2 1



LEVER POSITION: OPEN  
PUSH LEVER OUT  
TO UNLOCK



SOCKET 115X ILM AND BACK PLATE	
PART NO. ①	(1) 475968814 (2) 475968815

ILM	
PART NO. ②	(1)475968811 (STAINLESS STEEL) (2)475968855(SUS430)

BACK PLATE	
PART NO. ③	(1)475968830 (2)475968830

BILL OF MATERIAL		
ITEM NO	QTY	DESCRIPTION
	1	TOP ASSY
①	1	115X ILM AND BACK PLATE ASSY
②	1	115X ILM (WITHOUT COVER) ASSEMBLY
③	1	115X BACK PLATE ASSY W/SCREWS

NOTES  
1.PARTS ARE HALOGEN FREE.  
2.PARTS ARE COMPLIANT TO RoHS DIRECTIVE 2002/95/EC  
AND ELV 2000/53/EC.

47596-8815	SUS430	WITHOUT ILM COVER
47596-8814	STAINLESS STEEL	
PART NO.	MATERIAL	DESCRIPTION

ENTER DESCRIPTION EC NO: SH2012-0210 DRWN: ZHANG11 CHKD: APPR: AYIN	2012/01/05 2012/02/02	DESCRIPTION REV	QUALITY SYMBOLS F <sub>A</sub> =0 F <sub>C</sub> =0 F <sub>P</sub> =0
---	--------------------------	--------------------	--

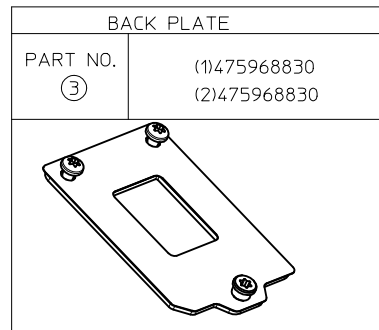
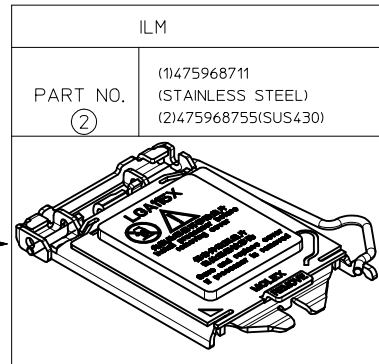
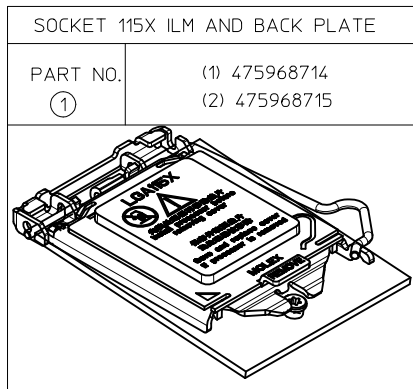
GENERAL TOLERANCES (UNLESS SPECIFIED)	
	mm INCH
4 PLACES	± --- ± ---
3 PLACES	± --- ± ---
2 PLACES	± 0.15 ± ---
1 PLACE	± 0.25 ± ---
ANGULAR ±1/2°	

DRAFT WHERE APPLICABLE  
MUST REMAIN  
WITHIN DIMENSIONS

DIMENSION STYLE	
IN/MM	
DRAWN BY YOSUN	DATE 2008/11/25
CHECKED BY	DATE
APPROVED BY AYIN	DATE 2010/12/10
MATERIAL NO.	

SCALE	DESIGN UNITS	THIRD ANGLE PROJECTION
1:1.5	INCH	
TITLE <b>115X ILM AND BACK PLATE ASSEMBLY</b>		
APPROVED BY MOLEX INCORPORATED		SHEET NO. 1 OF 2
MATERIAL NO. <b>SEE TABLE</b>		DOCUMENT NO. <b>SD-47596-105</b>

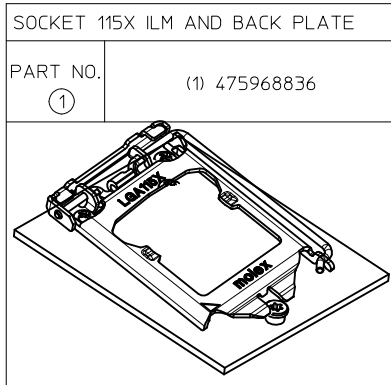
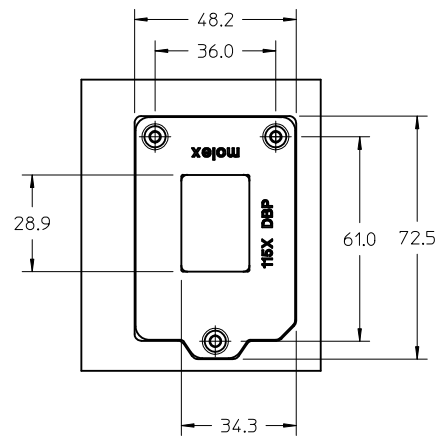
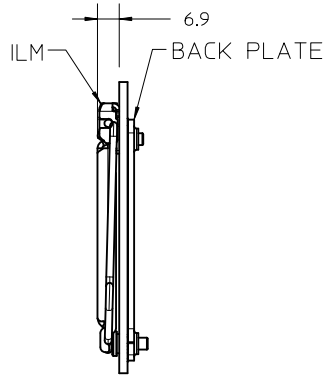
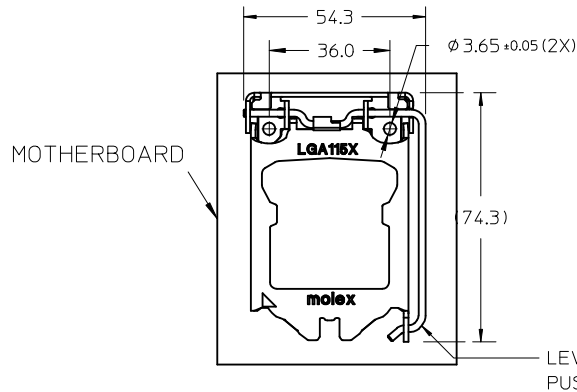
9 8 7 6 5 4 3 2 1



BILL OF MATERIAL		
ITEM NO	QTY	DESCRIPTION
	1	TOP ASSY
①	1	115X ILM AND BACK PLATE ASSY
②	1	115X ILM (WITH COVER) ASSEMBLY
③	1	115X BACK PLATE ASSY W/SCREWS

47596-8715	SUS430	WITH ILM COVER
47596-8714	STAINLESS STEEL	
PART NO.	MATERIAL	DESCRIPTION

<b>ENTER DESCRIPTION</b> EC NO: SH2012-0210 DRWN: ZHANG11 2012/01/05 CHKD: APPR: AYIN 2012/02/02	QUALITY SYMBOLS $F_A=0$ $F_G=0$ $F_P=0$	GENERAL TOLERANCES (UNLESS SPECIFIED) <table border="1"> <tr> <th></th> <th>mm</th> <th>INCH</th> </tr> <tr> <td>4 PLACES</td> <td>± ---</td> <td>± ---</td> </tr> <tr> <td>3 PLACES</td> <td>± ---</td> <td>± ---</td> </tr> <tr> <td>2 PLACES</td> <td>± 0.15</td> <td>± ---</td> </tr> <tr> <td>1 PLACE</td> <td>± 0.25</td> <td>± ---</td> </tr> <tr> <td colspan="3">ANGULAR ± 1/2°</td> </tr> </table>		mm	INCH	4 PLACES	± ---	± ---	3 PLACES	± ---	± ---	2 PLACES	± 0.15	± ---	1 PLACE	± 0.25	± ---	ANGULAR ± 1/2°			DIMENSION STYLE <b>IN/MM</b>	SCALE <b>1:1</b>	DESIGN UNITS <b>INCH</b>	THIRD ANGLE PROJECTION
		mm	INCH																					
	4 PLACES	± ---	± ---																					
	3 PLACES	± ---	± ---																					
2 PLACES	± 0.15	± ---																						
1 PLACE	± 0.25	± ---																						
ANGULAR ± 1/2°																								
DRAWN BY YQSUN	DATE 2008/11/25	TITLE <b>115X ILM AND BACK PLATE ASSEMBLY</b>																						
CHECKED BY	DATE	APPROVED BY AYIN																						
MATERIAL NO. <b>SEE TABLE</b>		DATE 2010/12/10			DOCUMENT NO. <b>SD-47596-105</b>																			
DRAFT WHERE APPLICABLE MUST REMAIN WITHIN DIMENSIONS		SHEET NO. <b>2 OF 2</b>																						
SIZE <b>A3</b>		THIS DRAWING CONTAINS INFORMATION THAT IS PROPRIETARY TO MOLEX INCORPORATED AND SHOULD NOT BE USED WITHOUT WRITTEN PERMISSION																						



ILM	
PART NO.	(1)475968841
②	

BACK PLATE	
PART NO.	(1)475968830
③	

BILL OF MATERIAL		
ITEM NO	QTY	DESCRIPTION
	1	TOP ASSY
①	1	SOCKET ILM AND BACK PLATE ASSY
②	1	SOCKET ILM(WITHOUT COVER) ASSEMBLY
③	1	SOCKET 115X BACK PLATE ASSY W/SCREWS

NOTES  
 1.PARTS ARE HALOGEN FREE.  
 2.PARTS ARE COMPLIANT TO RoHS DIRECTIVE 2002/95/EC AND ELV 2000/53/EC.

47596-8836	WITHOUT ILM COVER
PART NO.	DESCRIPTION

ENTER DESCRIPTION	2012/01/05
EC NO: SH2012-0210	2012/01/05
DRWN: ZHANG11	2012/02/02
CHKD:	
APPR: AYIN	
REV	

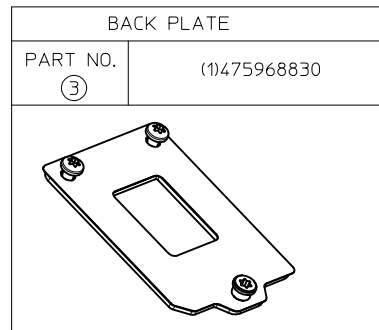
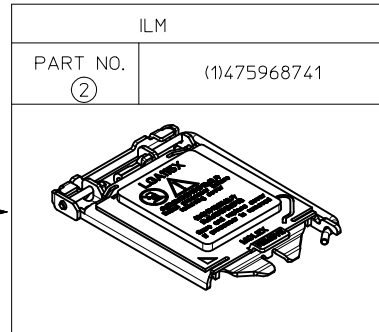
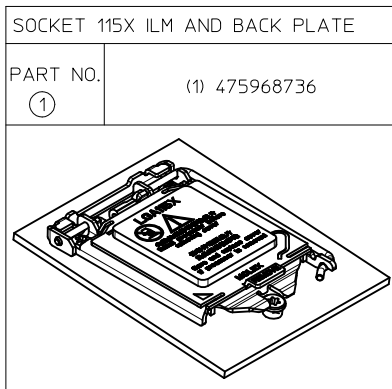
QUALITY SYMBOLS
$F_A=0$
$F_C=0$
$F_B=0$

GENERAL TOLERANCES (UNLESS SPECIFIED)	
	mm
4 PLACES	± ---
3 PLACES	± ---
2 PLACES	± 0.15
1 PLACE	± 0.25
ANGULAR ±1/2°	
DRAFT WHERE APPLICABLE MUST REMAIN WITHIN DIMENSIONS	

DIMENSION STYLE	
IN/MM	
DRAWN BY	DATE
YOSUN	2008/11/25
CHECKED BY	DATE
APPROVED BY	DATE
AYIN	2011/04/27
MATERIAL NO.	
SEE TABLE	

SCALE	1:1.5
DESIGN UNITS	INCH
THIRD ANGLE PROJECTION	
TITLE	
SOCKET 115X ILM AND ILM AND ABACK PLATE ASSEMBLY	
MOLEX INCORPORATED	
MATERIAL NO.	DOCUMENT NO.
	SD-47596-936
SHEET NO.	1 OF 2

THIS DRAWING CONTAINS INFORMATION THAT IS PROPRIETARY TO MOLEX INCORPORATED AND SHOULD NOT BE USED WITHOUT WRITTEN PERMISSION



BILL OF MATERIAL		
ITEM NO	QTY	DESCRIPTION
	1	TOP ASSY
①	1	SOCKET ILM AND BACK PLATE ASSY
②	1	SOCKET ILM (WITH COVER) ASSEMBLY
③	1	SOCKET 115X BACK PLATE ASSY W/SCREWS

47596-8736	WITH ILM COVER
PART NO.	DESCRIPTION

ENTER DESCRIPTION  
 EC NO: SH2012-0210  
 DRWN: ZHANG11  
 CHKD:  
 APPR: AYIN  
 2012/01/05  
 2012/02/02

QUALITY SYMBOLS	DESCRIPTION
$F_A=0$	
$F_G=0$	
$F_P=0$	

GENERAL TOLERANCES (UNLESS SPECIFIED)	
	mm INCH
4 PLACES	$\pm$ --- $\pm$ ---
3 PLACES	$\pm$ --- $\pm$ ---
2 PLACES	$\pm$ 0.15 $\pm$ ---
1 PLACE	$\pm$ 0.25 $\pm$ ---
ANGULAR $\pm$ 1/2°	
DRAFT WHERE APPLICABLE MUST REMAIN WITHIN DIMENSIONS	

DIMENSION STYLE	
IN/MM	
DRAWN BY	DATE
YQSUN	2008/11/25
CHECKED BY	DATE
APPROVED BY	DATE
AYIN	2011/04/27
MATERIAL NO.	
SEE TABLE	
SIZE	
A3	

SCALE	DESIGN UNITS	THIRD ANGLE PROJECTION
1:1	INCH	
TITLE		
SOCKET 115X ILM AND ILM AND ABACK PLATE ASSEMBLY		
MOLEX INCORPORATED		
MATERIAL NO.	DOCUMENT NO.	SHEET NO.
	SD-47596-936	2 OF 2
THIS DRAWING CONTAINS INFORMATION THAT IS PROPRIETARY TO MOLEX INCORPORATED AND SHOULD NOT BE USED WITHOUT WRITTEN PERMISSION		