

MULTIMODE SCSI 14 LINE TERMINATOR

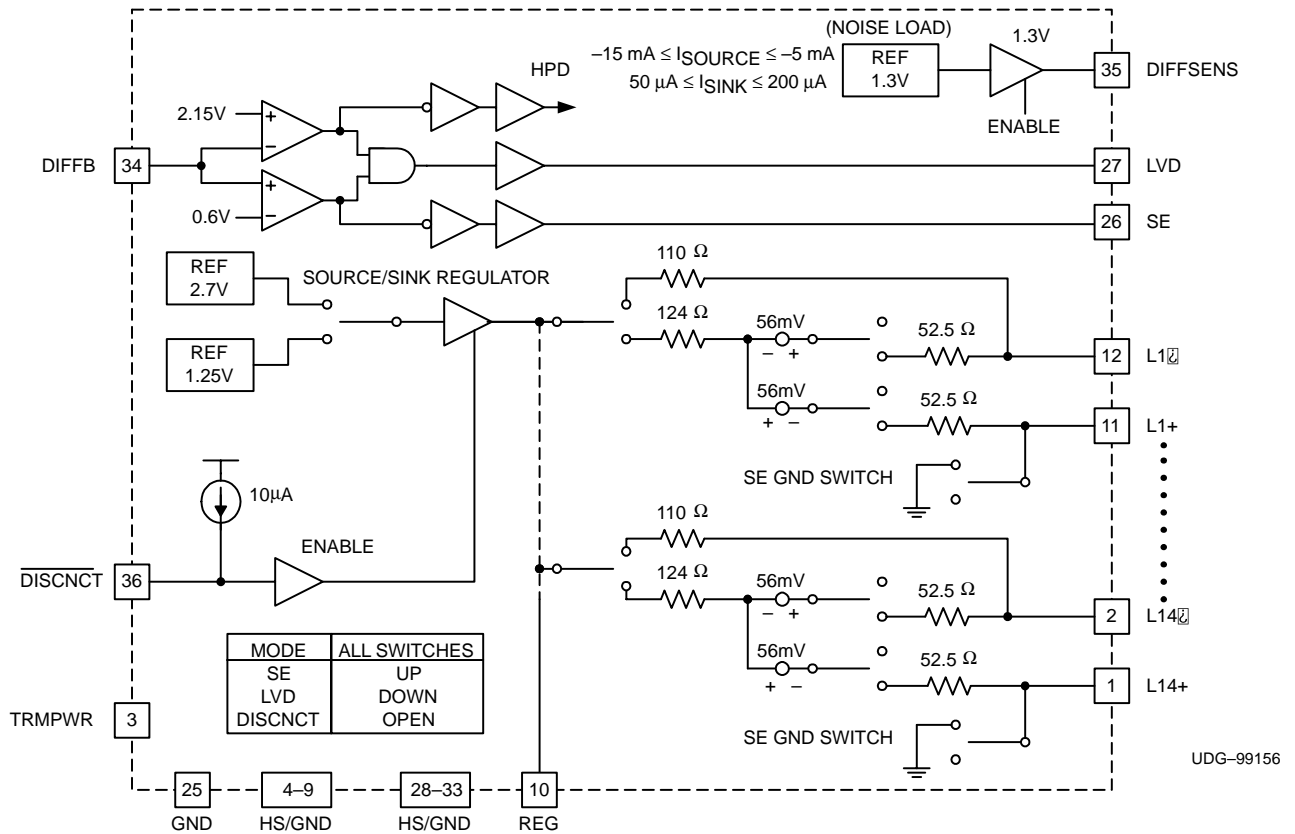
FEATURES

- Auto Selection Single-Ended (SE) or Low-Voltage Differential (LVD) Termination
- Meets SCSI-1, SCSI-2, SCSI-3, SPI, Ultra (Fast-20), Ultra2 (SPI-2 LVD), Ultra3, Ultra160 (SPI-3) and Ultra320 (SPI-4) Standards
- 2.7-V to 5.25-V Operation
- Differential Failsafe Bias
- Thermal Packaging for Low Junction Temperature and Better MTBF
- Reversed Polarity Disconnect

DESCRIPTION

The UCC5629 multimode SCSI terminator provides a smooth transition into the low-voltage differential (LVD) SCSI parallel interface (SPI-2, SPI-3, SPI-4). It automatically senses the bus, via DIFFFB, and switches the termination to either single-ended (SE) or low-voltage differential (LVD) SCSI, dependent on which type of devices are connected to the bus. The UCC5629 can not be used on a HVD, EIA485, differential SCSI bus. If the UCC5629 detects a HVD SCSI device, it switches to a high-impedance state.

BLOCK DIAGRAM



These devices have limited built-in ESD protection. The leads should be shorted together or the device placed in conductive foam during storage or handling to prevent electrostatic damage to the MOS gates.

DESCRIPTION (CONTINUED)

The Multimode terminator contains all functions required to terminate and auto detect and switch modes for SPI-2, SPI-3, SPI-4 bus architectures. Single ended and differential impedances and currents are trimmed for maximum effectiveness. Fail safe biasing is provided to insure signal integrity. Device/bus type detection circuitry is integrated into the terminator to provide automatic switching of termination between SE and LVD SCSI and a high impedance for HVD SCSI. The multimode function provides all the performance analog functions necessary to implement SPI-2, SPI-3 and SPI-4 termination in a single monolithic device.

The UCC5629 is offered in a 48-pin LQFP package for a temperature range of 0°C to 70°C.

ABSOLUTE MAXIMUM RATINGS

over operating free-air temperature range unless otherwise noted⁽¹⁾

	UCC5629	UNIT
TRMPWR voltage	6	V
Signal line voltage	0 to 7	
Package power dissipation	2	W
Storage temperature, T _{stg}	-65 to 150	°C
Operating junction temperature, T _J	-55 to 150	
Lead temperature (soldering, 10 sec.)	300	
Recommended operating conditions	2.7 to 5.25	V

(1) Stresses beyond those listed under "absolute maximum ratings" may cause permanent damage to the device. These are stress ratings only, and functional operation of the device at these or any other conditions beyond those indicated under "recommended operating conditions" is not implied. Exposure to absolute-maximum-rated conditions for extended periods may affect device reliability. All voltages are with respect to GND. Currents are positive into and negative out of, the specified terminal.

RECOMMENDED OPERATING CONDITIONS

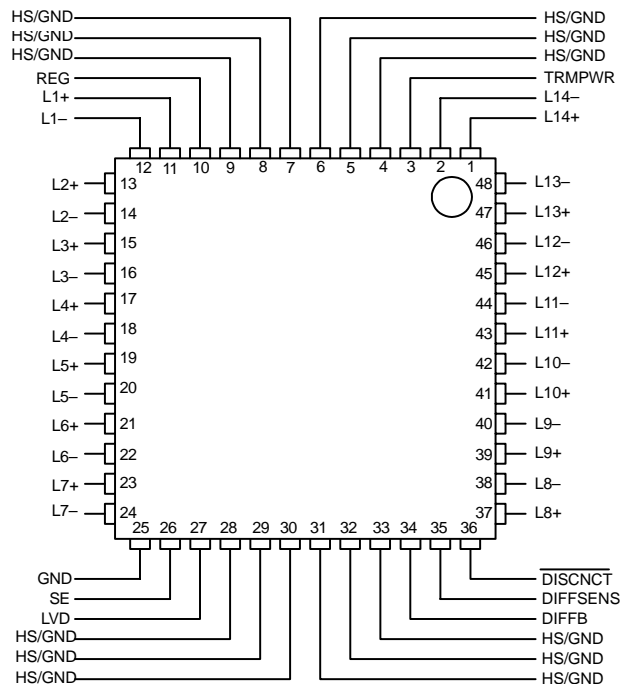
	MIN	NOM	MAX	UNIT
TRMPWR voltage	2.7		5.25	V
Temperature ranges	0		70	°C

ORDERING INFORMATION

T_A	DISCONNECT STATUS	PACKAGED DEVICE
		LQFP-48 (FQP)
0°C to 70°C		UCC5629FQP

† The LQFP packages are available taped and reeled. Add TR suffix to device type (e.g. UCC5629FQPTR) to order quantities of 2,500 devices per reel.

CONNECTION DIAGRAM



ELECTRICAL CHARACTERISTICS

$T_A = T_J = 0^\circ\text{C}$ to 70°C , TRMPWR = 3.3 V, (unless otherwise specified the measurements).

TRMPWR supply current

PARAMETER	TEST CONDITION	MIN	TYP	MAX	UNITS
TRMPWR Supply Current Section					
TRMPWR supply current	LVD mode		20	25	mA
	SE mode		1.6	10	
	Disabled terminator		250	400	μA
Regulator Section					
1.25 V regulator	LVD mode	1.15	1.25	1.35	V
1.25 V regulator source current	$V_{\text{REG}} = 0\text{ V}$	-375	-700	-1000	mA
1.25 V regulator sink current	$V_{\text{REG}} = 3.3\text{ V}$	170	300	700	
1.3 V regulator	Diff sense	1.2	1.3	1.4	V
1.3 V regulator source current	$V_{\text{REG}} = 0\text{ V}$	-5		-15	mA
1.3 V regulator sink current	$V_{\text{REG}} = 3.3\text{ V}$	50		200	μA
2.7 V regulator	SE mode	2.5	2.7	3.0	V
2.7 V regulator source current	$V_{\text{REG}} = 0\text{ V}$	-375	-700	-1000	mA
2.7 V regulator sink current	$V_{\text{REG}} = 3.3\text{ V}$	170	300	700	
Differential Termination Section					
Differential impedance		100	105	110	Ω
Common mode impedance	(2)	110	150	165	
Differential bias voltage		100		125	mV
Common mode bias		1.15	1.25	1.35	V
Output capacitance	Single ended measurement to ground (1)			3	pF

ELECTRICAL CHARACTERISTICS

T_A = T_J = 0°C to 70°C, TRMPWR = 3.3 V, (unless otherwise specified the measurements).

PARAMETER	TEST CONDITION	MIN	TYP	MAX	UNITS
Single-Ended Termination Section					
Impedance	$Z = \frac{VL_X - 0.2 V}{IL_X}$ (3)	102.3	110	117.7	Ω
Termination current	Signal level 0.2 V, All lines low	-21.0	-24.0	-25.4	mA
	Signal level 0.5 V	-18.0		-22.4	
Output leakage				400	nA
Output capacitance	Single-ended measurement to ground (1)			3	pF
Single-ended GND SE impedance	I = 10 mA		20	60	Ω
Disconnect and Diff Buffer Input Section					
DISCNCT threshold		0.8		2.0	V
DISCNCT input current			10	30	μA
Diff buffer single ended to LVD threshold		0.5		0.7	V
Diff buffer LVD to HPD threshold		1.9		2.4	
DIFFB input current		-10		10	μA
Status Bits (SE, LVD) Output Section					
I _{SOURCE}	V _{LOAD} = 2.4 V	-4	-6		mA
I _{SINK}	V _{LOAD} = 0.4 V	2	5		

NOTES: 1. Ensured by design, but not production tested.

- $Z_{CM} = \frac{1.2 V}{I(V_{CM} + 0.6 V) - I(V_{CM} - 0.6 V)}$, where V_{CM} = voltage measured with L+ tied to L- and zero current applied
- VLX = output voltage for each terminator minus output pin (L1- through L14-) with each pin unloaded.
- ILX = output current for each terminator minus output pin (L1- through L14-) with the minus output pin forced to 0.2 V.

TERMINAL FUNCTIONS

TERMINAL		I/O	DESCRIPTION
NAME	NO.		
DIFFB	34	I	DIFFSENS filter pin should be connected to a 4.7-μF capacitor and a 50-kΩ resistor to DIFFSENS.
DIFFSENS	35	O	The SCSI bus Diff sense line to detect what types of devices are connected to the SCSI bus.
DISCNCT	36	I	Disconnect pin shuts down the terminator when it is not at the end of the bus. The disconnect pin high enables the terminator.
GND	25		Analog ground.
HS/GND			Heatsink ground pins must be connected to a large ground area.
LINE _{n-}			Signal line active line for single ended or negative line in differential applications for the SCSI bus.
LINE _{n+}			Ground line for single ended or positive line for differential applications for the SCSI bus.
LVD	27	O	TTL compatible status bit indicating that the device has detected the bus in LVD mode. This output is not valid in disconnect mode.
REG	10	O	Regulator bypass pin, must be connected to a 4.7-μF capacitor.
SE	26	O	TTL compatible status bit indicating that the device has detected the bus in single ended mode. This output is not valid in disconnect mode.
TRMPWR	3		VIN 2.7-V to 5.25-V supply, bypass near the terminators with a 4.7-μF capacitor to ground.

APPLICATION INFORMATION

The UCC5629 is a multi-mode active terminator with selectable single-ended (SE) and low-voltage differential (LVD) SCSI termination integrated into a monolithic component. Mode selection is accomplished with the *diff sense* signal.

The diff sense signal is a three level signal, which is driven at each end of the bus by one active terminator. A LVD or multimode terminator drives the diff sense line to 1.3 V. If diff sense is at 1.3 V, then the bus is in LVD mode. If a single-ended SCSI device is plugged into the bus, the diff sense line is shorted to ground. With the diff sense line shorted to ground, the terminator changes to single-ended mode to accommodate the SE device. If a HVD device is plugged in to the bus, the diff sense line is pulled high and the terminator shuts down.

The diff sense line is driven and monitored by the terminator through a 100-ms to 300-ms SPI-3 delay at the DIFFB input pin. A set of comparators, that allow for ground shifts, determine the bus status as follows. Any diff sense signal below 0.5 V is single ended, between 0.7 V and 1.9 V is LVD and above 2.2 V is HVD.

In the single-ended mode, a multimode terminator has a 110- Ω terminating resistor connected to a 2.7-V termination voltage regulator. The 2.7-V regulator is used on all Unitrode terminators designed for 3.3-V systems. This requires the terminator to operate in specification down to 2.7-V TRMPWR voltage to allow for the 3.3-V supply tolerance, a unidirectional fusing device and cable drop. At each L+ pin, a ground driver drives the pin to ground, while in single-ended mode. The ground driver is specially designed so it will not effect the capacitive balance of the bus when the device is in LVD or disconnect mode. The device requirements call for 1.5 pF balance on the lines of a differential pair. The terminator capacitance has to be a small part of the capacitance imbalance.

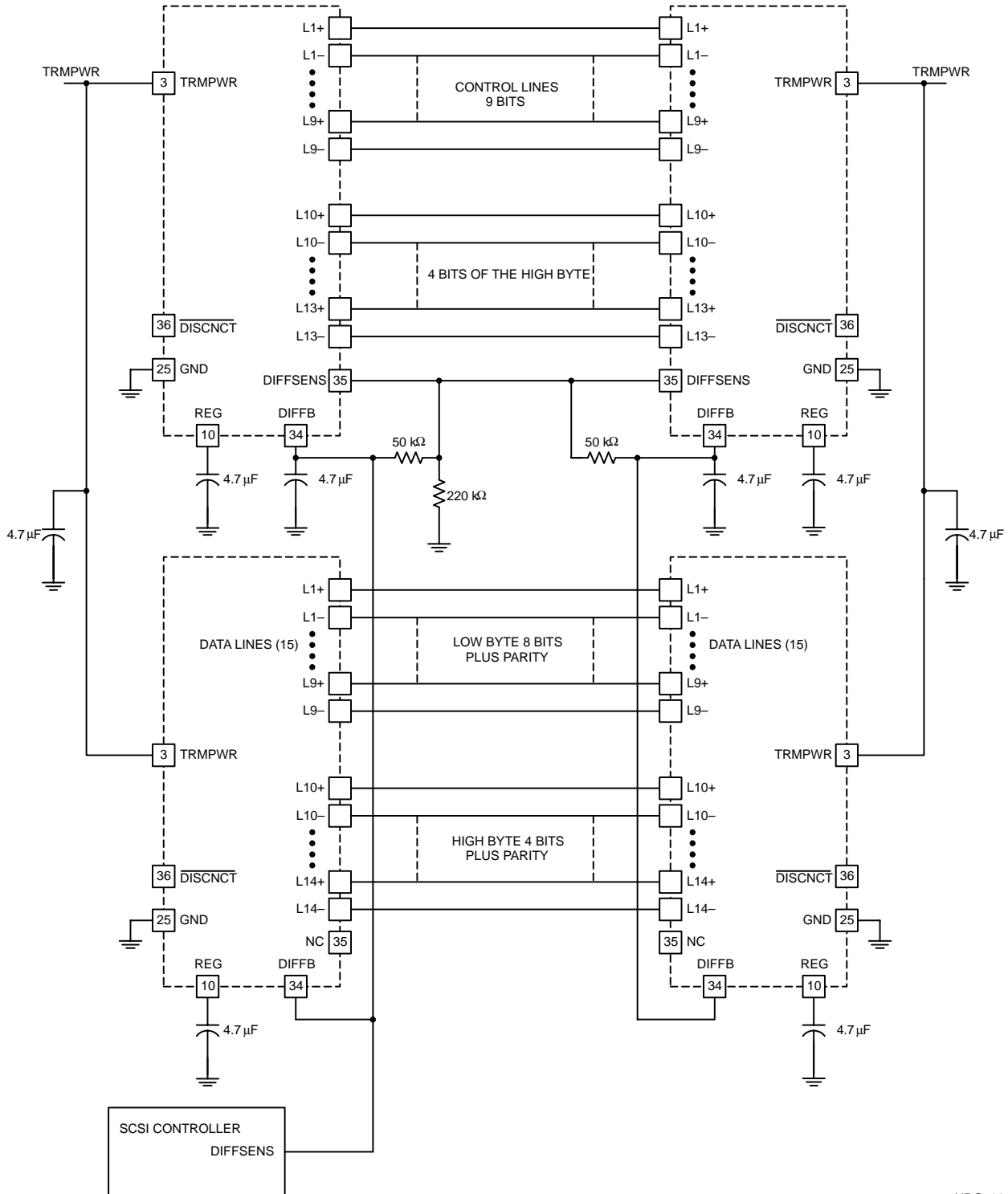
Layout is very critical for Ultra2, Ultra3, Ultra160 and Ultra320 systems. Multilayer boards need to adhere to the 120- Ω impedance standard, including connector and feed-through. This is normally done on the outer layers with 4-mil etch and 4-mil spacing between the runs within a pair, and a minimum of 8-mil spacing to the next pair. This spacing between the pairs reduces potential crosstalk. Beware of feed-throughs and each through hole connection adds a lot of capacitance. Standard power and ground plane spacing yields about 1 pF to each plane. Each feed-through will add about 2.5 pF to 3.5 pF. Enlarging the clearance holes on both power and ground planes can reduce the capacitance and opening up the power and ground planes under the connector can reduce the capacitance for through hole connector applications. Microstrip technology is normally too low of impedance and should not be used. It is designed for 50- Ω rather than 120- Ω differential systems.

Capacitance balance is critical for Ultra2, Ultra3, Ultra160 and Ultra320. The balance capacitance standard is 0.5 pF per line with the balance between pairs of 2 pF. The components are designed with very tight balance, typically 0.1 pF between pins in a pair and 0.3 pF between pairs. Layout balance is critical, feed-throughs and etch length must be balanced, preferably no feed-throughs would be used. Capacitance for devices should be measured in the typical application, material and components above and below the circuit board effect the capacitance.

Multimode terminators need to consider power dissipation; the UCC5629 is offered in a power package with heat-sink ground pins. These heat-sink ground pins are directly connected to the die mount paddle under the die and conduct heat from the die to reduce the junction temperature. These pins need to be connected to etch area or a feed-through per pin connecting to the ground plane layer on a multilayer board.

In 3.3-V TRMPWR systems, the UCC3912 should be used to replace the fuse and diode. This reduces the voltage drop, allowing for cable drop to the far end terminator. 3.3-V battery systems normally have a 10% tolerance. The UCC3912 is 150-mV drop under LVD loads, allowing 150-mV drop in the cable system. All Unitrode LVD and multimode terminators are designed for 3.3-V systems, operating down to 2.7 V.

TYPICAL APPLICATION DIAGRAM



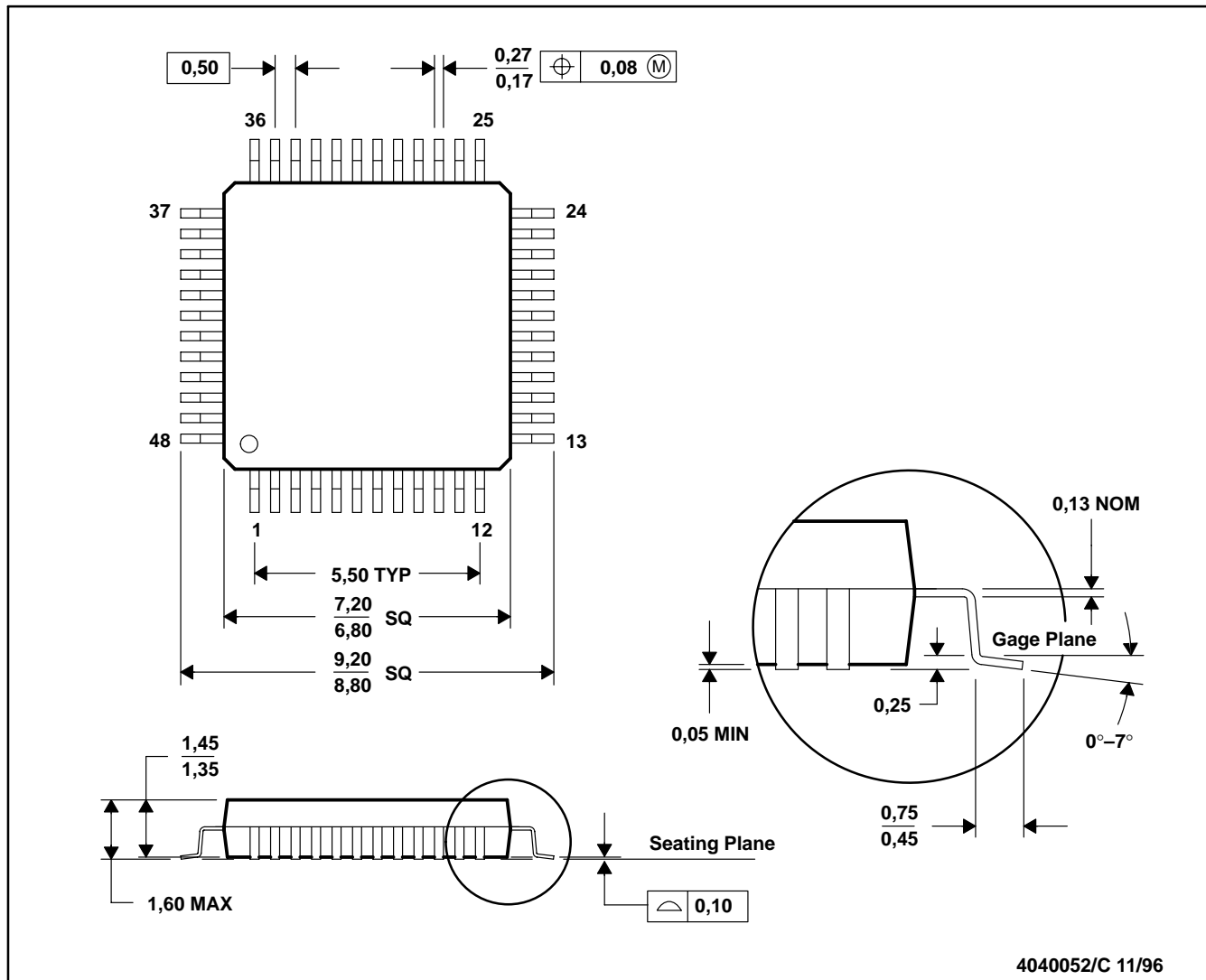
UDG-99157

- NOTES:
1. A 220-kΩ resistor is added to ground to insure the transceivers will come up in single-ended mode when no terminator is enabled. The controller DIFFSENS ties to the DIFFFB pin on the terminators, only one RC network should be on a device.
 2. SPI-2 uses a 20-kΩ resistor between DIFFSENS and DIFFFB with a 0.1-μF capacitor to ground. SPI-3 and SPI-4 uses a 50-kΩ resistor with a 4.7-μF capacitor.

MECHANICAL DATA

PT (S-PQFP-G48)

PLASTIC QUAD FLATPACK



4040052/C 11/96

- NOTES:
- A. All linear dimensions are in millimeters.
 - B. This drawing is subject to change without notice.
 - C. Falls within JEDEC MS-026
 - D. This may also be a thermally enhanced plastic package with leads connected to the die pads.

IMPORTANT NOTICE

Texas Instruments Incorporated and its subsidiaries (TI) reserve the right to make corrections, modifications, enhancements, improvements, and other changes to its products and services at any time and to discontinue any product or service without notice. Customers should obtain the latest relevant information before placing orders and should verify that such information is current and complete. All products are sold subject to TI's terms and conditions of sale supplied at the time of order acknowledgment.

TI warrants performance of its hardware products to the specifications applicable at the time of sale in accordance with TI's standard warranty. Testing and other quality control techniques are used to the extent TI deems necessary to support this warranty. Except where mandated by government requirements, testing of all parameters of each product is not necessarily performed.

TI assumes no liability for applications assistance or customer product design. Customers are responsible for their products and applications using TI components. To minimize the risks associated with customer products and applications, customers should provide adequate design and operating safeguards.

TI does not warrant or represent that any license, either express or implied, is granted under any TI patent right, copyright, mask work right, or other TI intellectual property right relating to any combination, machine, or process in which TI products or services are used. Information published by TI regarding third-party products or services does not constitute a license from TI to use such products or services or a warranty or endorsement thereof. Use of such information may require a license from a third party under the patents or other intellectual property of the third party, or a license from TI under the patents or other intellectual property of TI.

Reproduction of information in TI data books or data sheets is permissible only if reproduction is without alteration and is accompanied by all associated warranties, conditions, limitations, and notices. Reproduction of this information with alteration is an unfair and deceptive business practice. TI is not responsible or liable for such altered documentation.

Resale of TI products or services with statements different from or beyond the parameters stated by TI for that product or service voids all express and any implied warranties for the associated TI product or service and is an unfair and deceptive business practice. TI is not responsible or liable for any such statements.

Mailing Address:

Texas Instruments
Post Office Box 655303
Dallas, Texas 75265