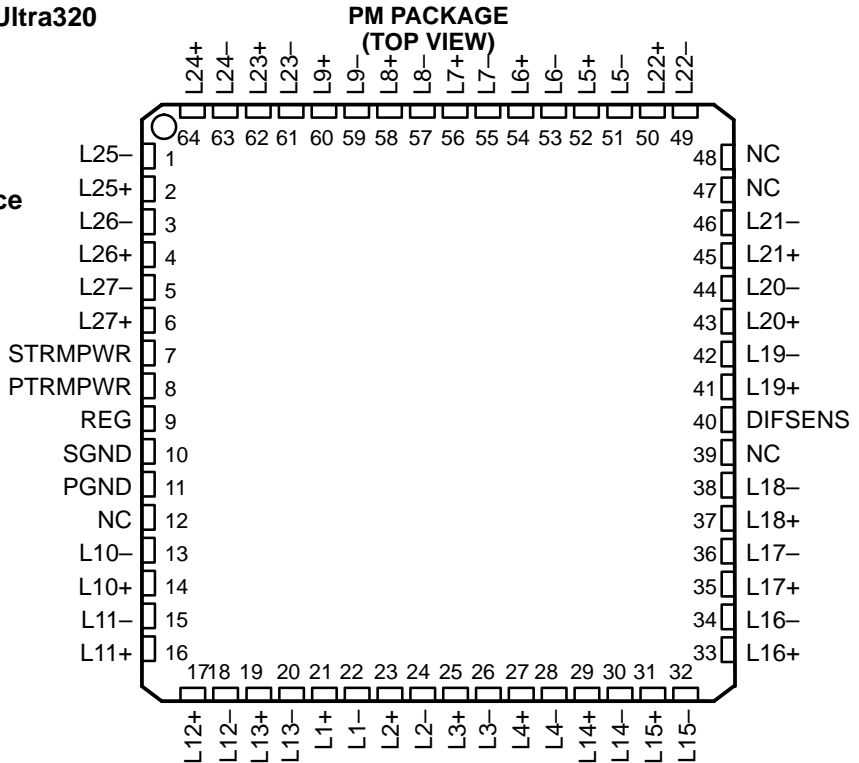


- **SCSI SPI-2, SPI-3, Ultra160, Ultra320 Compliance**
- **Smallest Footprint**
- **Lowest Channel Capacitance, 2 pF**
- **Less Than 0.5-pF Capacitance Differential Between Pairs**
- **2.7 V to 5.25 V Operation**
- **Differential Failsafe Bias**
- **64-Pin Low Profile QFP**



**description**

The UCC5511 is a twenty-seven line active terminator for low-voltage-differential (LVD) SCSI networks. This LVD SCSI-only design allows the user to reach peak bus performance, while reducing system cost. The device is designed as an active Y-terminator to improve the frequency response of the LVD SCSI bus. Designed with a 2-pF (typical) channel capacitance, the UCC5511 allows for minimal bus loading for a maximum number of peripherals. With the UCC5511, the designer is able to comply with the Ultra2, Ultra3, Ultra160 and Ultra320 SCSI specifications. The UCC5511 also provides a much-needed system migration path for the ever improving SCSI system standards.

This device is available in the 64-pin low-profile QFP package for ease of layout use.

Single-ended (SE) and high-voltage differential (HVD) SCSI drivers are not supported.

**AVAILABLE OPTIONS**

<b>T<sub>A</sub></b>	<b>PACKAGED DEVICES†</b>
	<b>LOW PROFILE QFP (PM)</b>
0°C to 70°C	UCC5511PM

† The PM package is available taped and reeled. Add TR suffix to device type (e.g., UCC5511PMTR) to order quantities of 1000 devices per reel.



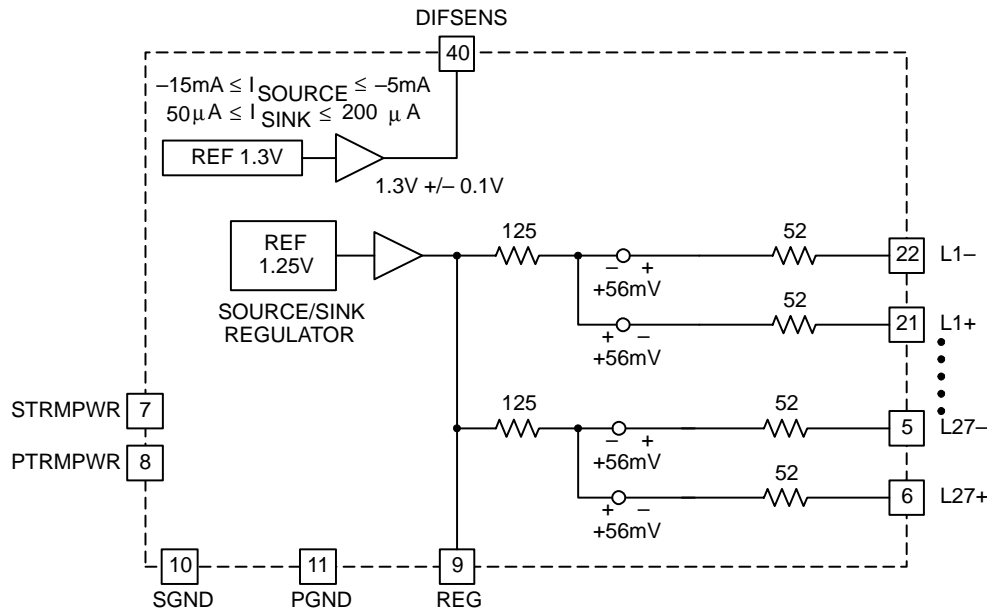
Please be aware that an important notice concerning availability, standard warranty, and use in critical applications of Texas Instruments semiconductor products and disclaimers thereto appears at the end of this data sheet.

PRODUCTION DATA information is current as of publication date. Products conform to specifications per the terms of Texas Instruments standard warranty. Production processing does not necessarily include testing of all parameters.

**UCC5511**  
**27-LINE 3-V – 5-V LVD TERMINATOR**  
**FOR WIDE ULTRA2 AND ULTRA160 SCSI**

SLUS469 – SEPTEMBER 2000

**block diagram**



UDG-00132

**absolute maximum ratings over operating free-air temperature range (unless otherwise noted)†‡**

Input voltage $V_{IN}$ (STRMPWR, PTRMPWR)	6 V
Signal line input voltage	0 V to 5 V
Regulator output current	0.75 A
Storage temperature range, $T_{stg}$	-55°C to 150°C
Operating virtual junction temperature range, $T_J$	-55°C to 150°C
Lead temperature (soldering, 10 seconds)	300°C

† Stresses beyond those listed under “absolute maximum ratings” may cause permanent damage to the device. These are stress ratings only, and functional operation of the device at these or any other conditions beyond those indicated under “recommended operating conditions” is not implied. Exposure to absolute-maximum-rated conditions for extended periods may affect device reliability.

‡ Unless otherwise indicated, voltages are reference to ground and currents are positive into and negative out of the specified terminals. Consult *Packaging Section* of the Databook for thermal limitations and considerations of packages. All voltages are referenced to GND.



electrical characteristics over recommended operating free-air temperature range,  
 xTRMPWR = 2.7 V to 5.25 V, T<sub>A</sub> = 0°C to 70°C, T<sub>A</sub> = T<sub>J</sub>. (unless otherwise noted)

PARAMETER	TEST CONDITIONS	MIN	TYP	MAX	UNIT
<b>xTRMPWR Supply Current Section</b>					
xTRMPWR supply current				65	mA
<b>1.25 V Regulator Section</b>					
1.25 V regulator	0.5 V ≤ V <sub>CM</sub> ≤ 2.0 V, See Note 1	1.15	1.25	1.35	V
Regulator source current	V <sub>REG</sub> = 0 V		-300	-240	mA
Regulator sink current	V <sub>REG</sub> = 3.0 V	240	300		mA
<b>1.3 V (DIFSENS) Regulator Section</b>					
1.3 V regulator	-5mA ≤ I <sub>DIFSENS</sub> ≤ 50 μA	1.2	1.3	1.4	V
Short-circuit source current	V <sub>DIFSENS</sub> = 0 V	-5	-8	-15	mA
Short-circuit sink current	V <sub>DIFSENS</sub> = 2.75 V	50		200	μA
<b>Differential Termination Section (Applies to each line pair 1–27)</b>					
Differential bias voltage		100		125	mV
Differential impedance		100	105	110	Ω
Common-mode bias voltage	L+ and L– shorted together	1.15	1.25	1.35	V
Common-mode impedance	L+ and L– shorted together, See Note 2	110	140	165	Ω
<b>Thermal Shutdown Section</b>					
Thermal shutdown threshold	For increasing temperature		155		°C
Thermal shutdown hysteresis			10		°C

NOTES: 1. V<sub>CM</sub> is applied to all L+ and L– lines simultaneously.

$$2. Z_{CM} = \frac{2.0 \text{ V} - 0.5 \text{ V}}{I_{VCM(\max)} - I_{VCM(\min)}} \quad V_{CM(\max)} = 2.0 \text{ V}, V_{CM(\min)} = 0.5 \text{ V}$$

# UCC5511

## 27-LINE 3-V – 5-V LVD TERMINATOR

### FOR WIDE ULTRA2 AND ULTRA160 SCSI

SLUS469 – SEPTEMBER 2000

#### pin descriptions

**STRMPWR:** 2.7 V to 5.25 V power supply for all circuitry except the 1.25-V regulator.

**SGND:** Ground reference for all circuitry except the 1.25-V regulator.

**PTRMPWR:** 2.7 V to 5.25 V power supply for the 1.25-V regulator.

**PGND:** Ground reference for the 1.25-V regulator.

**REG:** Output of the internal 1.25-V regulator; must be connected to a 4.7- $\mu\text{F}$  bypass capacitor and a high-frequency, low-ESR 0.01- $\mu\text{F}$  capacitor to GND.

**DIFSENS:** Drives the SCSI bus DIFF SENSE line to 1.3 V to allow detection of device types that are tied to the bus.

**L1– thru L27–:** Negative lines for the SCSI bus.

**L1+ thru L27+:** Positive lines for the SCSI bus.

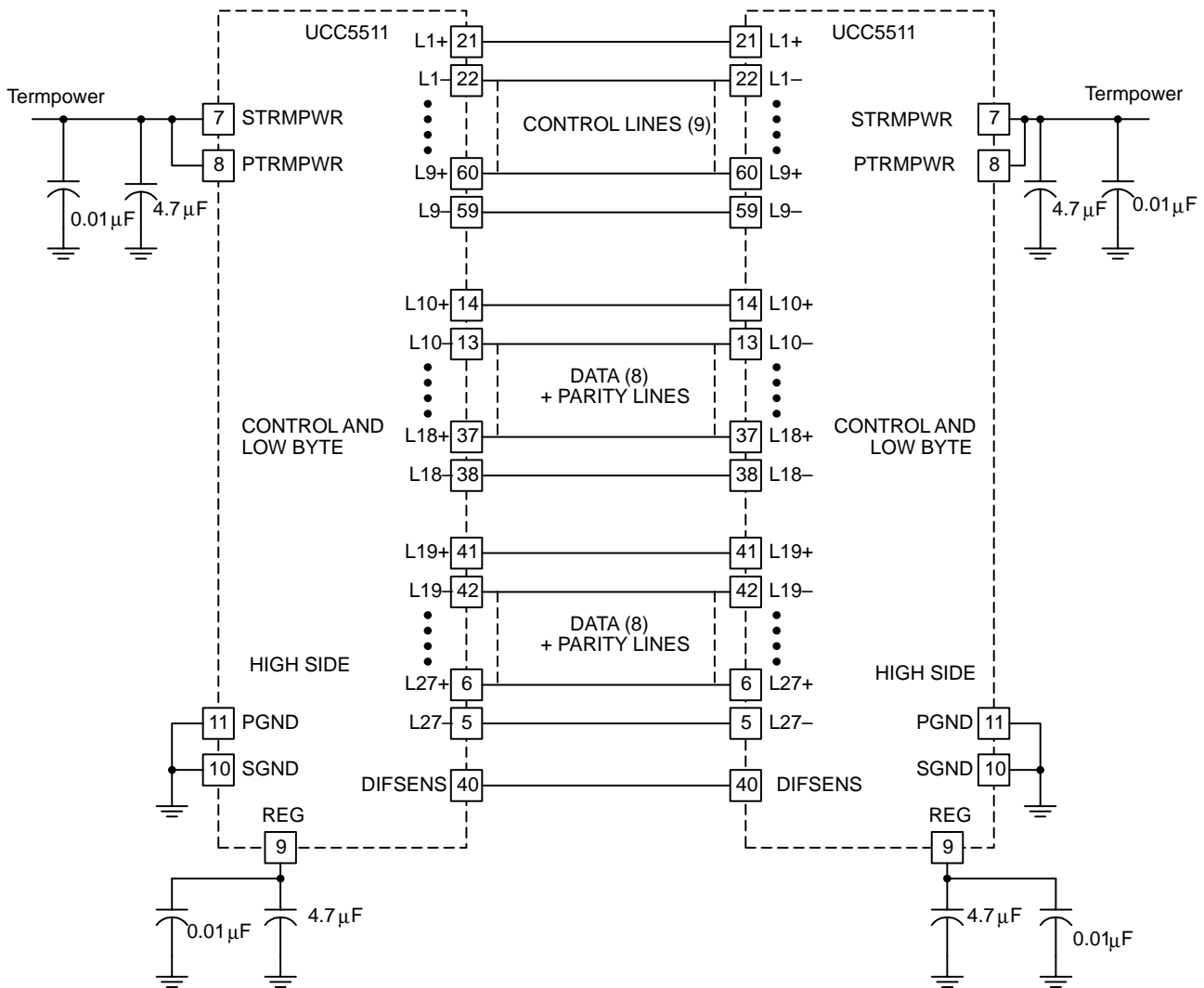


Figure 1. Typical Application Diagram

## IMPORTANT NOTICE

Texas Instruments and its subsidiaries (TI) reserve the right to make changes to their products or to discontinue any product or service without notice, and advise customers to obtain the latest version of relevant information to verify, before placing orders, that information being relied on is current and complete. All products are sold subject to the terms and conditions of sale supplied at the time of order acknowledgment, including those pertaining to warranty, patent infringement, and limitation of liability.

TI warrants performance of its products to the specifications applicable at the time of sale in accordance with TI's standard warranty. Testing and other quality control techniques are utilized to the extent TI deems necessary to support this warranty. Specific testing of all parameters of each device is not necessarily performed, except those mandated by government requirements.

Customers are responsible for their applications using TI components.

In order to minimize risks associated with the customer's applications, adequate design and operating safeguards must be provided by the customer to minimize inherent or procedural hazards.

TI assumes no liability for applications assistance or customer product design. TI does not warrant or represent that any license, either express or implied, is granted under any patent right, copyright, mask work right, or other intellectual property right of TI covering or relating to any combination, machine, or process in which such products or services might be or are used. TI's publication of information regarding any third party's products or services does not constitute TI's approval, license, warranty or endorsement thereof.

Reproduction of information in TI data books or data sheets is permissible only if reproduction is without alteration and is accompanied by all associated warranties, conditions, limitations and notices. Representation or reproduction of this information with alteration voids all warranties provided for an associated TI product or service, is an unfair and deceptive business practice, and TI is not responsible nor liable for any such use.

Resale of TI's products or services with statements different from or beyond the parameters stated by TI for that product or service voids all express and any implied warranties for the associated TI product or service, is an unfair and deceptive business practice, and TI is not responsible nor liable for any such use.

Also see: [Standard Terms and Conditions of Sale for Semiconductor Products](http://www.ti.com/sc/docs/stdterms.htm). [www.ti.com/sc/docs/stdterms.htm](http://www.ti.com/sc/docs/stdterms.htm)

### Mailing Address:

Texas Instruments  
Post Office Box 655303  
Dallas, Texas 75265