

# 9-Line Low Capacitance SCSI Active Terminator

## FEATURES

- Complies with SCSI, SCSI-2 and SPI-2 Standards
- 3pF Channel Capacitance during Disconnect
- 100µA Supply Current in Disconnect Mode
- Meets SCSI Hot Plugging Capability
- -400mA Sourcing Current for Termination
- +400mA Sinking Current for Active Negation
- Logic Command Disconnects all Termination Lines
- Trimmed Termination Current to 5%
- Trimmed Impedance to 5%
- Current Limit and Thermal Shutdown Protection

## DESCRIPTION

The UC5613 provides 9 lines of active termination for a SCSI (Small Computer Systems Interface) parallel bus. The SCSI standard recommends active termination at both ends of the cable segment.

The UC5613 provides a disconnect feature which, when opened or driven high, disconnects all terminating resistors and disables the regulator greatly reducing standby power. The output channels remain high impedance even without Tempwr applied. A low channel capacitance of 3pF allows units at interim points of the bus to have little or no effect on the signal integrity.

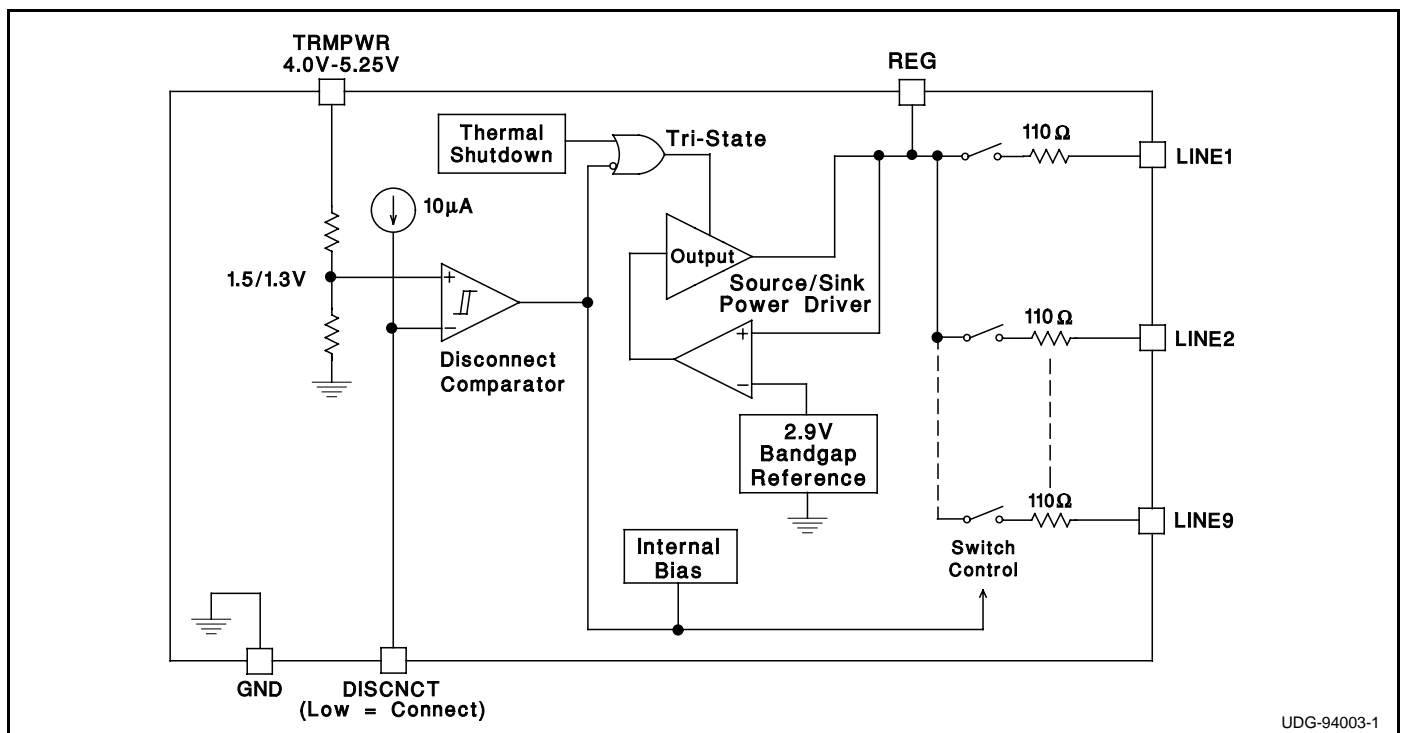
The UC5613 is pin-for-pin compatible with its predecessor, the UC5603 - 9 line Active Terminator. The only functional difference between the UC5613 and UC5603 is the absence of the negative clamps. Parametrically, the UC5613 has a 5% tolerance on impedance and current compared to a 3% tolerance on the UC5603. Custom power packages are utilized to allow normal operation at full power (1.2 watts).

Internal circuit trimming is utilized, first to trim the impedance to a 5% tolerance; then, the output current is trimmed to a 5% tolerance. The output current trim is set as close as possible to the maximum value of the SCSI specification which maximizes the noise margin for fast SCSI operation.

Other features include thermal shutdown and current limit.

This device is offered in low thermal resistance versions of the industry standard 16 pin narrow body SOIC, 16 pin ZIP (zig-zag in line package), and 24 pin TSSOP.

## BLOCK DIAGRAM



Circuit Design Patented

**ABSOLUTE MAXIMUM RATINGS**

Tempwr Voltage .....	+7V
Signal Line Voltage .....	0V to +7V
Regulator Output Current .....	0.5A
Storage Temperature .....	-65°C to +150°C
Operating Temperature .....	-55°C to +150°C
Lead Temperature (Soldering, 10 Sec.) .....	+300°C

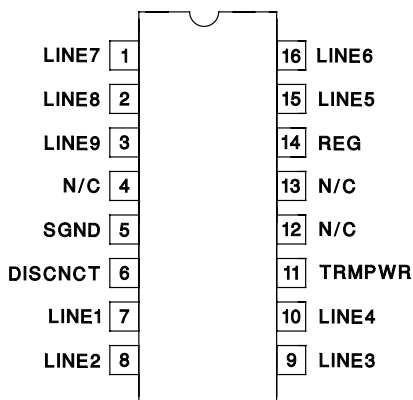
Unless otherwise specified all voltages are with respect to Ground. Currents are positive into, negative out of the specified terminal.  
 Consult Packaging Section of Unitrode Integrated Circuits databook for thermal limitations and considerations of packages.

**RECOMMENDED OPERATING CONDITIONS**

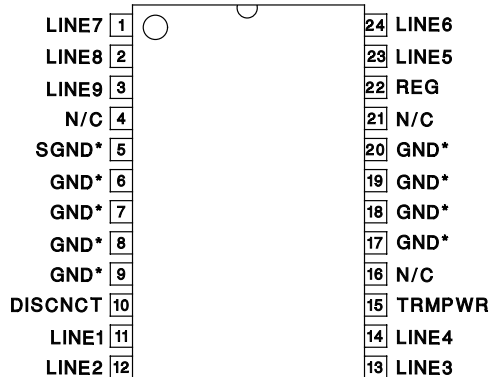
Tempwr Voltage .....	3.8V to 5.25V
Signal Line Voltage .....	0V to +5V
Disconnect Input Voltage .....	0V to Tempwr

**CONNECTION DIAGRAMS**

**DIL-16 (Top View)  
N or J Package**

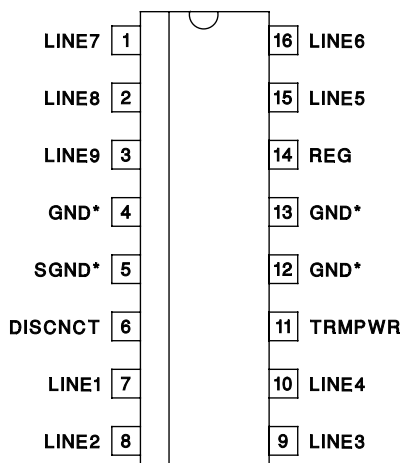


**TSSOP-24 (Top View)  
PWP Package**



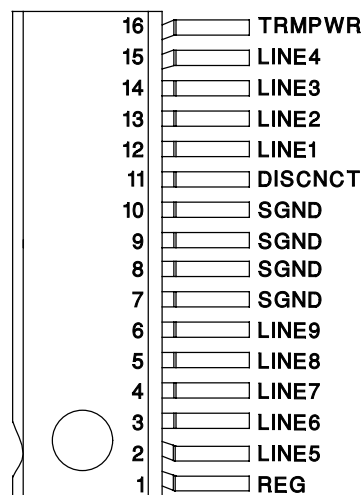
\* PWP package pin 5 serves as signal ground; pins 6, 7, 8, 9, 17, 18, 19, and 20 serve as heatsink/ground.

**SOIC-16 (Top View)  
DP Package**



\* DP package pin 5 serves as signal ground; pins 4, 12, 13 serve as heatsink/ground.

**ZIP-16 (Top View)  
Z Package**



Note: Drawings are not to scale.

**ELECTRICAL CHARACTERISTICS** Unless otherwise stated, these specifications apply for  $T_A = 0^{\circ}\text{C}$  to  $70^{\circ}\text{C}$ .  
 $\text{TRMPWR} = 4.75\text{V}$ ,  $\text{DISCNCT} = 0\text{V}$ .  $T_A = T_J$ .

PARAMETER	TEST CONDITIONS	MIN	TYP	MAX	UNITS		
<b>Supply Current Section</b>							
Tempwr Supply Current	All termination lines = Open		17	23	mA		
	All termination lines = 0.5V		200	225	mA		
Power Down Mode	DISCNCT = Open		100	150	$\mu\text{A}$		
<b>Output Section (Terminator Lines)</b>							
Terminator Impedance	$\Delta I_{\text{LINE}} = -5\text{mA}$ to $-15\text{mA}$	104.5	110	115.5	Ohms		
Output High Voltage	TRMPWR = 4V (Note 1)	2.7	2.9		V		
Max Output Current	$V_{\text{LINE}} = 0.5\text{V}$	$T_J = 25^{\circ}\text{C}$	-20.3	-21.5	-22.4	mA	
		$0^{\circ}\text{C} < T_J < 70^{\circ}\text{C}$	-19.8	-21.5	-22.4	mA	
Max Output Current	$V_{\text{LINE}} = 0.5\text{V}$ , TRMPWR = 4V (Note 1)	$T_J = 25^{\circ}\text{C}$	-19.5	-21.5	-22.4	mA	
		$0^{\circ}\text{C} < T_J < 70^{\circ}\text{C}$	-19.0	-21.5	-22.4	mA	
	$V_{\text{LINE}} = 0.2\text{V}$ , TRMPWR = 4V to 5.25V	$0^{\circ}\text{C} < T_J < 70^{\circ}\text{C}$	-21.6	-24.0	-25.4	mA	
Output Leakage	DISCNCT = 4V	TRMPWR = 0V to 5.25V REG = 0V	$V_{\text{LINE}} = 0$ to 4V		10	400	nA
			$V_{\text{LINE}} = 5.25\text{V}$			100	$\mu\text{A}$
		TRMPWR = 0V to 5.25V, REG = Open $V_{\text{LINE}} = 0\text{V}$ to 5.25V		10	400	nA	
Output Capacitance	DISCNCT = Open, DP Package (Note 2)		3	4.5	pF		
<b>Regulator Section</b>							
Regulator Output Voltage		2.8	2.9	3	V		
Regulator Output Voltage	All Termination Lines = 5V	2.8	2.9	3	V		
Line Regulation	TRMPWR = 4V to 6V		10	20	mV		
Load Regulation	$I_{\text{REG}} = +100\text{mA}$ to $-100\text{mA}$		20	50	mV		
Drop Out Voltage	All Termination Lines = 0.5V		0.7	1	V		
Short Circuit Current	$V_{\text{REG}} = 0\text{V}$	-200	-400	-600	mA		
Sinking Current Capability	$V_{\text{REG}} = 3.5\text{V}$	200	400	600	mA		
Thermal Shutdown			170		$^{\circ}\text{C}$		
Thermal Shutdown Hysteresis			10		$^{\circ}\text{C}$		
<b>Disconnect Section</b>							
Disconnect Threshold		1.3	1.5	1.7	V		
Threshold Hysteresis		100	160	250	mV		
Input Current	DISCNCT = 0V		10	15	$\mu\text{A}$		

Note 1: Measuring each termination line while other 8 are low (0.5V).

Note 2: Guaranteed by design. Not 100% tested in production.

**APPLICATION INFORMATION**

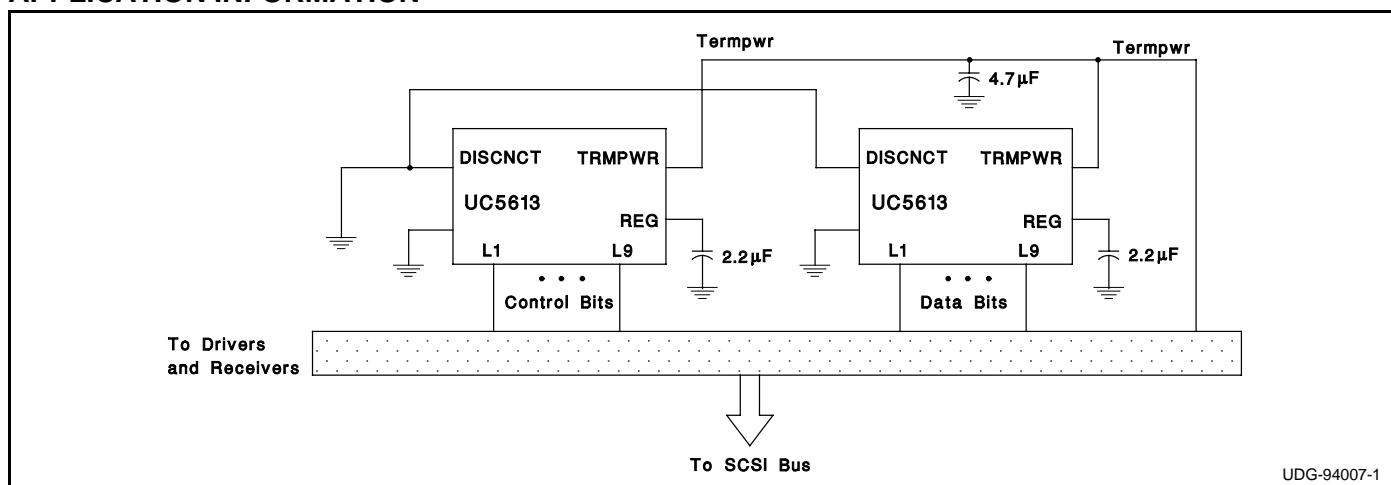


Figure 1: Typical SCSI Bus Configurations Utilizing 2 UC5613 Devices

APPLICATION INFORMATION (cont.)

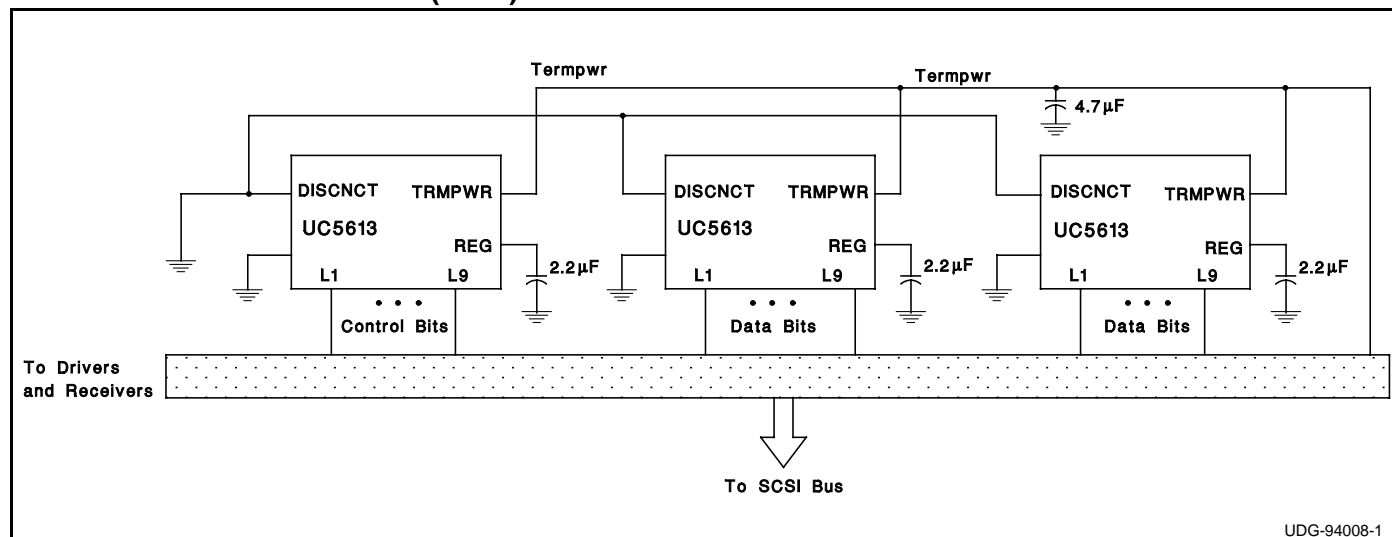


Figure 2: Typical Wide SCSI Bus Configurations Utilizing 3 UC5613 Devices.

UDG-94008-1

## IMPORTANT NOTICE

Texas Instruments and its subsidiaries (TI) reserve the right to make changes to their products or to discontinue any product or service without notice, and advise customers to obtain the latest version of relevant information to verify, before placing orders, that information being relied on is current and complete. All products are sold subject to the terms and conditions of sale supplied at the time of order acknowledgement, including those pertaining to warranty, patent infringement, and limitation of liability.

TI warrants performance of its semiconductor products to the specifications applicable at the time of sale in accordance with TI's standard warranty. Testing and other quality control techniques are utilized to the extent TI deems necessary to support this warranty. Specific testing of all parameters of each device is not necessarily performed, except those mandated by government requirements.

CERTAIN APPLICATIONS USING SEMICONDUCTOR PRODUCTS MAY INVOLVE POTENTIAL RISKS OF DEATH, PERSONAL INJURY, OR SEVERE PROPERTY OR ENVIRONMENTAL DAMAGE ("CRITICAL APPLICATIONS"). TI SEMICONDUCTOR PRODUCTS ARE NOT DESIGNED, AUTHORIZED, OR WARRANTED TO BE SUITABLE FOR USE IN LIFE-SUPPORT DEVICES OR SYSTEMS OR OTHER CRITICAL APPLICATIONS. INCLUSION OF TI PRODUCTS IN SUCH APPLICATIONS IS UNDERSTOOD TO BE FULLY AT THE CUSTOMER'S RISK.

In order to minimize risks associated with the customer's applications, adequate design and operating safeguards must be provided by the customer to minimize inherent or procedural hazards.

TI assumes no liability for applications assistance or customer product design. TI does not warrant or represent that any license, either express or implied, is granted under any patent right, copyright, mask work right, or other intellectual property right of TI covering or relating to any combination, machine, or process in which such semiconductor products or services might be or are used. TI's publication of information regarding any third party's products or services does not constitute TI's approval, warranty or endorsement thereof.


**TEXAS INSTRUMENTS**
**THE WORLD LEADER IN DSP AND ANALOG**


---

Products ▾
Development Tools ▾
Applications ▾

---

Advanced Search   
  TI Home   
  TI&ME   
  Employment  
 Tech Support   
  Comments   
  Site Map   
  TI Global

>> [Semiconductor Home](#) > [Products](#) > [Analog & Mixed-Signal](#) > [Interface Products](#) > [Bus Terminators](#) > [SCSI](#) >

## UC5613, LOWER CAPACITANCE 9-LINE 5V SE TERMINATOR FOR SCSI AND FAST SCSI

Device Status: Active

- > [Description](#)
- > [Features](#)
- > [Datasheets](#)
- > [Pricing/Samples/Availability](#)
- > [Application Notes](#)
- > [Applications](#)

Parameter Name	UC5613
Number of Lines	9
Driver Types Supported	SE
TERMPWR Voltage (max) (V)	5.25
TERMPWR Voltage (min) (V)	4.0
Disconnect Active State	High
Integrated SPI-3 Mode Switching Filter/Delay	No
Process	Bi-Polar
Active Negation Support	Yes
Channel Capacitance (pF)	3
Resistor Tolerance (ppm)	50
Typical Sink Current (mA)	400
Current Tolerance (%)	5
Single-Ended Termination Impedance (ohms)	110
Single-Ended Tolerance (%)	5
Integrated TERMPWR Regulation	No

### Description



The UC5613 provides 9 lines of active termination for a SCSI (Small Computer Systems Interface) parallel bus. The SCSI standard recommends active termination at both ends of the cable segment.

The UC5613 provides a disconnect feature which, when opened or driven high, disconnects all terminating resistors and disables the regulator greatly reducing standby power. The output channels remain high impedance even without TermPwr applied. A low channel capacitance of 3pF allows units at interim points of the bus to have little or no effect on the

signal integrity.

The UC5613 is pin-for-pin compatible with its predecessor, the UC5603 - 9 line Active Terminator. The only functional difference between the UC5613 and UC5603 is the absence of the negative clamps. Parametrically, the UC5613 has a 5% tolerance on impedance and current compared to a 3% tolerance on the UC5603. Custom power packages are utilized to allow normal operation at full power (1.2 watts).

Internal circuit trimming is utilized, first to trim the impedance to a 5% tolerance; then, the output current is trimmed to a 5% tolerance. The output current trim is set as close as possible to the maximum value of the SCSI specification which maximizes the noise margin for fast SCSI operation.

Other features include thermal shutdown and current limit.

This device is offered in low thermal resistance versions of the industry standard 16 pin narrow body SOIC, 16 pin ZIP (zig-zag in line package), and 24 pin TSSOP.

## Features

- Complies with SCSI, SCSI-2 and SPI-2 Standards
- 3pF Channel Capacitance during Disconnect
- 100uA Supply Current in Disconnect Mode
- Meets SCSI Hot Plugging Capability
- -400mA Sourcing Current for Termination
- +400mA Sinking Current for Active Negation
- Logic Command Disconnects all Termination Lines
- Trimmed Termination Current to 5%
- Trimmed Impedance to 5%
- Current Limit and Thermal Shutdown Protection

To view the following documents, [Acrobat Reader 3.x](#) is required.

To download a document to your hard drive, right-click on the link and choose 'Save'.

## Datasheets

Full datasheet in Acrobat PDF: [slus167.pdf](#) (244 KB)

## Pricing/Samples/Availability

Orderable Device	Package	Pins	Temp (°C)	Status	Price/unit USD (100-999)	Pack Qty	Availability / Samples
UC5613DP	<a href="#">D</a>	16	0 TO 70	ACTIVE	4.73	1	<a href="#">Check stock or order</a>
UC5613DPTR	<a href="#">D</a>	16	0 TO 70	ACTIVE	4.15	1	<a href="#">Check stock or order</a>
UC5613N	<a href="#">N</a>	16	0 TO 70	ACTIVE	4.19	1	<a href="#">Check stock or order</a>
UC5613PWP	<a href="#">PWP</a>	24	0 TO 70	ACTIVE	5.75	1	<a href="#">Check stock or order</a>
UC5613PWPTR	<a href="#">PWP</a>	24	0 TO 70	ACTIVE	5.01	1	<a href="#">Check stock or order</a>

UC5613QP	<u>FN</u>	28	0 TO 70	ACTIVE	3.78	1	<u>Check stock or order</u>
UC5613QPTR	<u>FN</u>	28	0 TO 70	ACTIVE	3.33	1	<u>Check stock or order</u>
UC5613Z	<u>UTR</u>	16	0 TO 70	OBSOLETE			

## Application Reports

- COMPARING BUS SOLUTIONS (SLLA067 - Updated: 03/06/2000)
- ELECTROSTATIC DISCHARGE APPLICATION NOTE (SSYA008 - Updated: 05/05/1999)
- JITTER ANALYSIS (SLLA075 - Updated: 03/31/2000)
- THERMAL CHARACTERISTICS OF LINEAR AND LOGIC PACKAGES USING JEDEC PCB DESIGNS (SZZA017A - Updated: 09/10/1999)

## Table Data Updated on: 8/16/2000