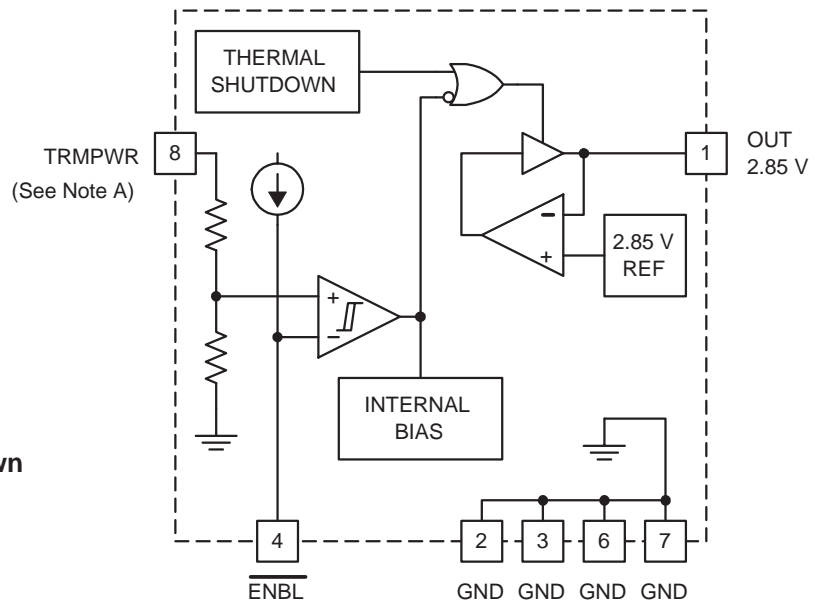


- SPI-2 and SPI-3 Compliant
- 2.85-V Regulated Output Voltage with 1.4% Tolerance
- Provides Current for up to 27 Lines of Active Termination for SCSI Buses
- -750-mA Sourcing Current for Termination
- 300-mA Sinking Current for Active Negation Drivers
- 0.9-V Dropout Voltage Regulator at 750 mA and 2.75 V Output
- 100- A Supply Current in Disconnect Mode
- Current Limit and Thermal Shutdown Protection
- Low Thermal Resistance Surface Mount Package

simplified block diagram



Note A: 4.0 V TO 6.0 V (4.75 V NOMIMAL)

description

The UC560 provides current for up to 27 lines of active termination for a SCSI (small computers systems interface) parallel bus. The SCSI standard requires active termination at both ends of the cable. The UC560 is based on the UC5603 and UC5613 SCSI active terminators. It uses the voltage regulator and internal logic circuits of those parts, but has no termination circuits. The UC560 provides greater source current-drive capability compared to the UC5603 and UC5613.

The UC560 sink current maintains regulation with all active-negation drivers negated. It provides a disconnect feature which disables the regulator to greatly reduce standby power. Internal circuit trimming is utilized for a 1.4% tolerance output voltage. Other features include thermal shutdown and current limit for short circuit conditions.

The UC560 is available in low-thermal-resistance version of the industry standard 8-pin power SOIC.

AVAILABLE OPTIONS

T _A	PACKAGED DEVICES
	0°C to 70°C

[†] The DP package is available taped and reeled. Add TR suffix to device type (e.g. UC560DPTR) to order quantities of 3000 devices per reel.

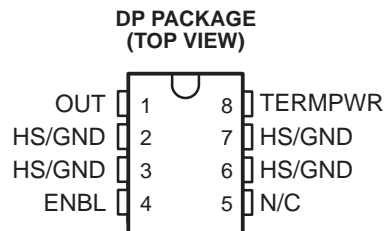


Please be aware that an important notice concerning availability, standard warranty, and use in critical applications of Texas Instruments semiconductor products and disclaimers thereto appears at the end of this data sheet.

UC560

27-LINE SCSI SOURCE/SINK REGULATOR

SLUS213B – APRIL 1998 – REVISED FEBRUARY 2001



NOTE 1: For DP package, pins 2, 3, 6 and 7 are heat sinking pins. Pin 2 is the connect point for electrical ground.

NOTE 2: For all packages, N/C is no connection.

absolute maximum ratings over operating free-air temperature (unless otherwise noted)† ‡

Input voltage,	
TERMPWR	7 V
ENBL	-0.3 V to TERMPWR + 0.3 V
Regulator Output Current	1.4 A
Power Dissipation	2.5 W
Storage Temperature	-65°C to 150°C
Junction Temperature	-55°C to 150°C
Lead Temperature (Soldering, 10 seconds)	300°C

† Stresses beyond those listed under “absolute maximum ratings” may cause permanent damage to the device. These are stress ratings only, and functional operation of the device at these or any other conditions beyond those indicated under “recommended operating conditions” is not implied. Exposure to absolute-maximum-rated conditions for extended periods may affect device reliability.

‡ Currents are positive into and negative out of the specified terminal. Consult Packaging Section of Interface Products Data Book (*TI Literature Number SLUD002*) for thermal limitations and considerations of packages.

recommended operating conditions

	MIN	MAX	UNIT
Input voltage, TERMPWR	4.0	6.0	V
Operating virtual junction temperature, T _J [¶]	0	70	°C

¶ It is not recommended that the device operate under conditions beyond those specified in this table for extended periods of time.



POST OFFICE BOX 655303 • DALLAS, TEXAS 75265

UC560

27-LINE SCSI SOURCE/SINK REGULATOR

SLUS213B – APRIL 1998 – REVISED FEBRUARY 2001

electrical characteristics over recommended operating free-air temperature range, $T_A = 0^\circ\text{C}$ to 70°C , $T_{\text{EMPWR}} = 4.75\text{ V}$, $\overline{\text{ENBL}} = 0\text{ V}$, $C_{\text{OUT}} = 4.7\ \mu\text{F}$, $C_{T_{\text{EMPWR}}} = 4.7\ \mu\text{F}$, $T_A = T_J$, unless otherwise specified.

PARAMETER	TEST CONDITIONS	MIN	TYP	MAX	UNITS
Supply Current Section					
TERMPWR supply current	No load		18	25	mA
	$I_{\text{OUT}} = -700\text{ mA}$		710	750	mA
Power down mode	$\overline{\text{ENBL}} = 2.0\text{ V}$		100	140	μA
Regulator Section					
Regulator output voltage	25°C , No load	2.81	2.85	2.89	V
Load regulation	$I_{\text{OUT}} = 300\text{ mA}$ to -750 mA See Note 1		25	30	mV
Line regulation	$T_{\text{EMPWR}} = 4.0\text{ V}$ to 6.0 V No load, See Note 1		10	20	mV
Dropout voltage	$I_{\text{OUT}} = -750\text{ mA}$ $V_{\text{OUT}} = 2.75\text{ V}$		0.9	1.2	V
Short circuit current	$V_{\text{OUT}} = 0.0\text{ V}$		-1.3	-0.85	A
Sinking current	$V_{\text{OUT}} = 3.5\text{ V}$		500	600	mA
	$\overline{\text{ENBL}} = 2.0\text{ V}$ $V_{\text{OUT}} = 3.0\text{ V}$		1	2	mA
Thermal shutdown	See Note 2		170		$^\circ\text{C}$
Thermal shutdown hysteresis	See Note 2		10		$^\circ\text{C}$
Shutdown Section					
$\overline{\text{ENBL}}$ threshold		1.1	1.4	1.7	V
Threshold hysteresis			100		mV
$\overline{\text{ENBL}}$ output current		-15	-10		μA

- NOTES: 1. Tested at a constant junction temperature by low duty cycle pulse testing.
2. Ensured by design. Not production tested.

pin descriptions

$\overline{\text{ENBL}}$: (Enable pin) The $\overline{\text{ENBL}}$ function is active low, and the pin sources $10\ \mu\text{A}$ (typical) when at ground and T_{EMPWR} is between 4 V and 6 V . The part goes into disable mode if $\overline{\text{ENBL}}$ is above 1.4 V (typical), and returns to enable mode when $\overline{\text{ENBL}}$ drops below 1.3 V typical. The part also greatly reduces T_{EMPWR} current when disabled ($100\ \mu\text{A}$ typical).

GND: Ground pin.

OUT: (2.85-V regulated output voltage pin) The part is internally current limited for both sinking and sourcing current to prevent damage. When the part is in disabled mode ($\overline{\text{ENBL}} = 1.4\text{ V}$ typical), the output goes to 0 V with no external supply source on OUT. The IC current sinks if there is an external supply voltage applied to OUT when in disabled mode. For best performance, a $4.7\text{-}\mu\text{F}$ low-ESR capacitor is recommended.

T_{EMPWR} : (Supply voltage pin) The pin should be decoupled with at least a $2.2\text{-}\mu\text{F}$ low-ESR output capacitor. For best performance, a $4.7\text{-}\mu\text{F}$ low-ESR capacitor is recommended. Lead lengths should be kept at a minimum.



UC560 27-LINE SCSI SOURCE/SINK REGULATOR

SLUS213B – APRIL 1998 – REVISED FEBRUARY 2001

APPLICATION INFORMATION

**TYPICAL SCSI BUS CONFIGURATION
(18 TERMINATION LINES)**

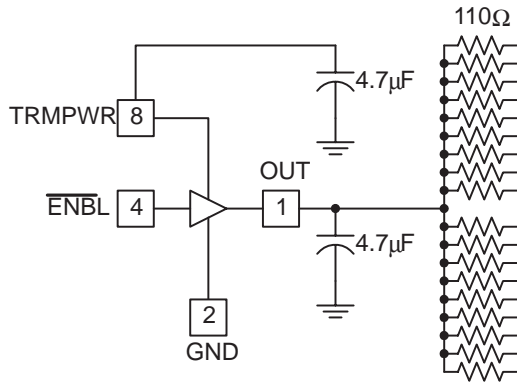


Figure 1

UDG-00075

**TYPICAL WIDE SCSI BUS CONFIGURATION
(27 TERMINATION LINES)**

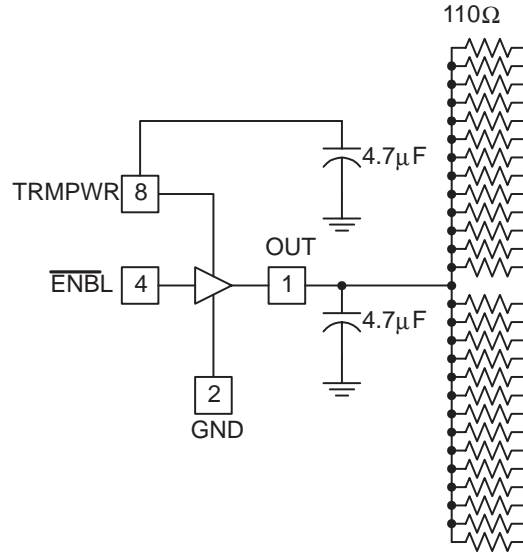


Figure 2

UDG-00076

TYPICAL CHARACTERISTICS

**OUTPUT VOLTAGE
vs
TEMPERATURE**

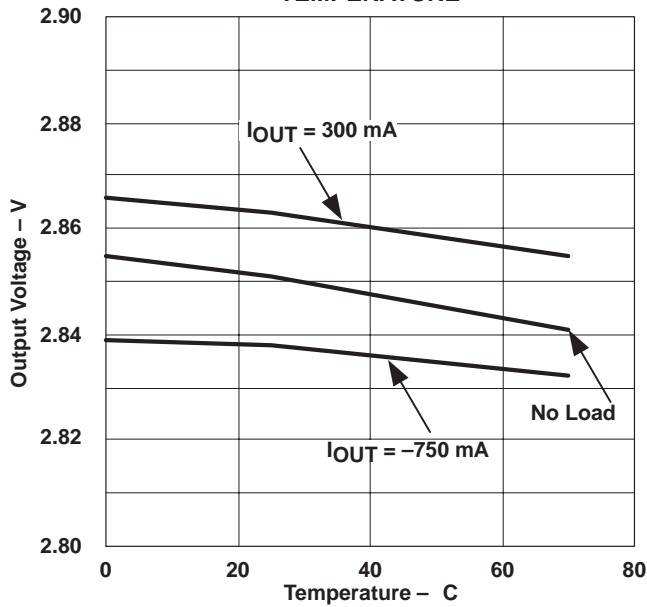


Figure 3

**DROPOUT VOLTAGE
vs
TEMPERATURE**

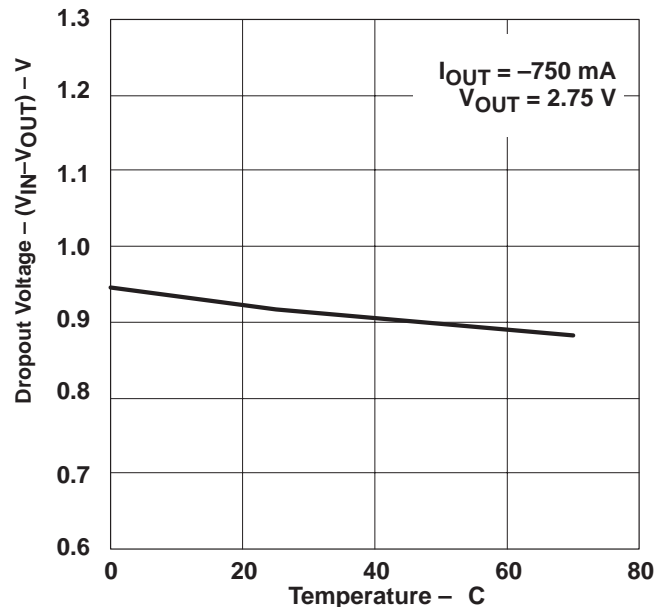
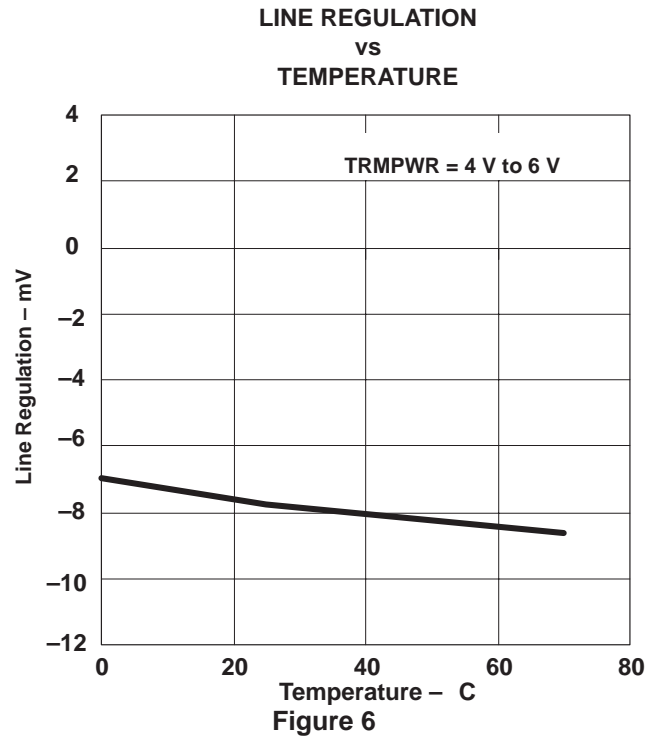
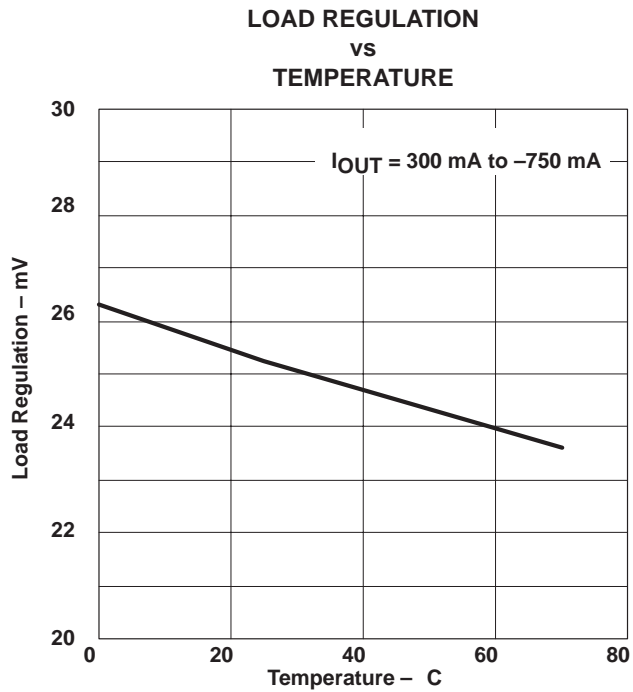


Figure 4



PACKAGING INFORMATION

Orderable Device	Status ⁽¹⁾	Package Type	Package Drawing	Pins	Package Qty	Eco Plan ⁽²⁾	Lead/Ball Finish	MSL Peak Temp ⁽³⁾
UC560DP	OBSOLETE	SOIC	D	8		TBD	Call TI	Call TI
UC560DPTR	OBSOLETE	SOIC	D	8		TBD	Call TI	Call TI
UC560TD	OBSOLETE	DDPAK/ TO-263	KTT	5		TBD	Call TI	Call TI

⁽¹⁾ The marketing status values are defined as follows:

ACTIVE: Product device recommended for new designs.

LIFEBUY: TI has announced that the device will be discontinued, and a lifetime-buy period is in effect.

NRND: Not recommended for new designs. Device is in production to support existing customers, but TI does not recommend using this part in a new design.

PREVIEW: Device has been announced but is not in production. Samples may or may not be available.

OBSOLETE: TI has discontinued the production of the device.

⁽²⁾ Eco Plan - The planned eco-friendly classification: Pb-Free (RoHS) or Green (RoHS & no Sb/Br) - please check <http://www.ti.com/productcontent> for the latest availability information and additional product content details.

TBD: The Pb-Free/Green conversion plan has not been defined.

Pb-Free (RoHS): TI's terms "Lead-Free" or "Pb-Free" mean semiconductor products that are compatible with the current RoHS requirements for all 6 substances, including the requirement that lead not exceed 0.1% by weight in homogeneous materials. Where designed to be soldered at high temperatures, TI Pb-Free products are suitable for use in specified lead-free processes.

Green (RoHS & no Sb/Br): TI defines "Green" to mean Pb-Free (RoHS compatible), and free of Bromine (Br) and Antimony (Sb) based flame retardants (Br or Sb do not exceed 0.1% by weight in homogeneous material)

⁽³⁾ MSL, Peak Temp. -- The Moisture Sensitivity Level rating according to the JEDEC industry standard classifications, and peak solder temperature.

Important Information and Disclaimer:The information provided on this page represents TI's knowledge and belief as of the date that it is provided. TI bases its knowledge and belief on information provided by third parties, and makes no representation or warranty as to the accuracy of such information. Efforts are underway to better integrate information from third parties. TI has taken and continues to take reasonable steps to provide representative and accurate information but may not have conducted destructive testing or chemical analysis on incoming materials and chemicals. TI and TI suppliers consider certain information to be proprietary, and thus CAS numbers and other limited information may not be available for release.

In no event shall TI's liability arising out of such information exceed the total purchase price of the TI part(s) at issue in this document sold by TI to Customer on an annual basis.

IMPORTANT NOTICE

Texas Instruments Incorporated and its subsidiaries (TI) reserve the right to make corrections, modifications, enhancements, improvements, and other changes to its products and services at any time and to discontinue any product or service without notice. Customers should obtain the latest relevant information before placing orders and should verify that such information is current and complete. All products are sold subject to TI's terms and conditions of sale supplied at the time of order acknowledgment.

TI warrants performance of its hardware products to the specifications applicable at the time of sale in accordance with TI's standard warranty. Testing and other quality control techniques are used to the extent TI deems necessary to support this warranty. Except where mandated by government requirements, testing of all parameters of each product is not necessarily performed.

TI assumes no liability for applications assistance or customer product design. Customers are responsible for their products and applications using TI components. To minimize the risks associated with customer products and applications, customers should provide adequate design and operating safeguards.

TI does not warrant or represent that any license, either express or implied, is granted under any TI patent right, copyright, mask work right, or other TI intellectual property right relating to any combination, machine, or process in which TI products or services are used. Information published by TI regarding third-party products or services does not constitute a license from TI to use such products or services or a warranty or endorsement thereof. Use of such information may require a license from a third party under the patents or other intellectual property of the third party, or a license from TI under the patents or other intellectual property of TI.

Reproduction of information in TI data books or data sheets is permissible only if reproduction is without alteration and is accompanied by all associated warranties, conditions, limitations, and notices. Reproduction of this information with alteration is an unfair and deceptive business practice. TI is not responsible or liable for such altered documentation.

Resale of TI products or services with statements different from or beyond the parameters stated by TI for that product or service voids all express and any implied warranties for the associated TI product or service and is an unfair and deceptive business practice. TI is not responsible or liable for any such statements.

Following are URLs where you can obtain information on other Texas Instruments products and application solutions:

Products		Applications	
Amplifiers	amplifier.ti.com	Audio	www.ti.com/audio
Data Converters	dataconverter.ti.com	Automotive	www.ti.com/automotive
DSP	dsp.ti.com	Broadband	www.ti.com/broadband
Interface	interface.ti.com	Digital Control	www.ti.com/digitalcontrol
Logic	logic.ti.com	Military	www.ti.com/military
Power Mgmt	power.ti.com	Optical Networking	www.ti.com/opticalnetwork
Microcontrollers	microcontroller.ti.com	Security	www.ti.com/security
		Telephony	www.ti.com/telephony
		Video & Imaging	www.ti.com/video
		Wireless	www.ti.com/wireless

Mailing Address: Texas Instruments
Post Office Box 655303 Dallas, Texas 75265