



Integrated Device Technology, Inc.

OCTAL BUS EXCHANGE SWITCH

IDT74FST3383
IDT74FST32383
PRELIMINARY

FEATURES:

- Bus Switches provide zero delay paths
- Extended commercial range of -40°C to $+85^{\circ}\text{C}$
- Low switch on-resistance:
 FST3xxx – 5Ω
 FST32xxx – 28Ω
- TTL-compatible input and output levels
- ESD > 2000V per MIL-STD-883, Method 3015;
 > 200V using machine model (C = 200pF, R = 0)
- Available in QSOP, TSSOP, SOIC and PDIP

DESCRIPTION:

The FST3383/32383 belong to IDT's family of Bus Switches. Bus switch devices perform the function of connecting or isolating two ports without providing any inherent current sink or source capability. Thus they generate little or no noise of

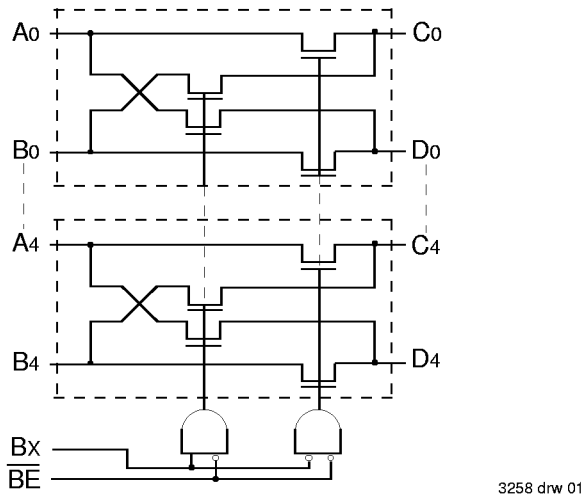
their own while providing a low resistance path for an external driver. These devices connect input and output ports through an n-channel FET. When the gate-to-source junction of this FET is adequately forward-biased the device conducts and the resistance between input and output ports is small. Without adequate bias on the gate-to-source junction of the FET, the FET is turned off, therefore with no Vcc applied, the device has hot insertion capability.

The low on-resistance and simplicity of the connection between input and output ports reduces the delay in this path to close to zero.

The FST32383 integrates terminating resistors in the device, thus eliminating the need for external 25Ω series resistors.

The FST3383 and FST32383 each provide four 5-bit TTL-compatible ports that support 2 way bus exchange. The BX pin controls the bus exchange and the $\overline{\text{BE}}$ pin serves as the enable pin.

FUNCTIONAL BLOCK DIAGRAM

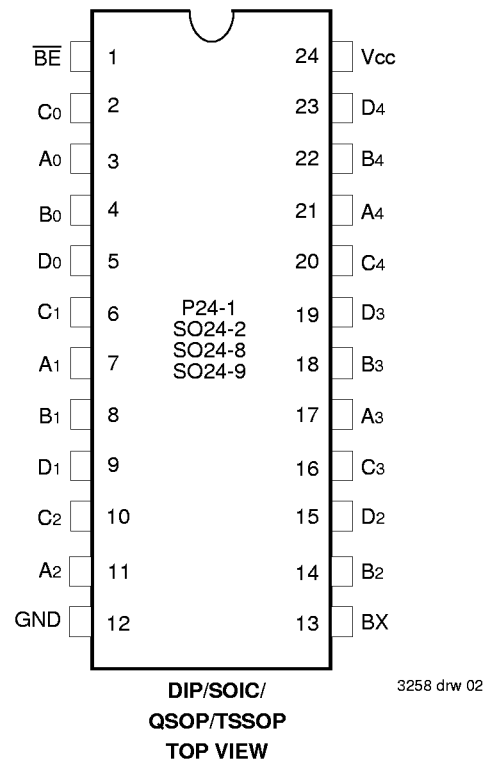


PIN DESCRIPTION

Pin Names	I/O	Description
A0-4, B0-4	I/O	Buses A, B
C0-4, D0-4	I/O	Buses C, D
$\overline{\text{BE}}$	I	Bus Switch Enable (Active LOW)
BX	I	Bus Exchange

3258 tbl 01

PIN CONFIGURATION



The IDT logo is a registered trademark of Integrated Device Technology, Inc.

COMMERCIAL TEMPERATURE RANGES

AUGUST 1996

ABSOLUTE MAXIMUM RATINGS⁽¹⁾

Symbol	Description	Max.	Unit
VTERM ⁽²⁾	Terminal Voltage with Respect to GND	-0.5 to +7.0	V
TSTG	Storage Temperature	-65 to +150	°C
IOUT	Maximum Continuous Channel Current	128	mA

NOTES:

3258 Ink 02

- Stresses greater than those listed under ABSOLUTE MAXIMUM RATINGS may cause permanent damage to the device. This is a stress rating only and functional operation of the device at these or any other conditions above those indicated in the operational sections of this specification is not implied. Exposure to absolute maximum rating conditions for extended periods may affect reliability.
- V_{CC}, Control and Switch terminals.

FUNCTION TABLE

BE	BX	A0-4	B0-4	Description
H	X	Hi-Z	Hi-Z	Disconnect
L	L	C0-4	D0-4	Connect
L	H	D0-4	C0-4	Exchange

3258 tbl 03

CAPACITANCE⁽¹⁾

Symbol	Parameter	Conditions ⁽²⁾	Typ.	Unit
C _{IN}	Control Input Capacitance		4	pF
C _{I/O}	Switch Input/Output Capacitance	Switch Off		pF

3258 tbl 04

NOTES:

- Capacitance is characterized but not tested
- T_A = 25°C, f = 1MHz, V_{IN} = 0V, V_{OUT} = 0V

DC ELECTRICAL CHARACTERISTICS OVER OPERATING RANGE

Following Conditions Apply Unless Otherwise Specified:

Commercial: T_A = -40°C to +85°C, V_{CC} = 5.0V ±5%

Symbol	Parameter	Test Conditions ⁽¹⁾	Min.	Typ. ⁽²⁾	Max.	Unit	
V _{IH}	Input HIGH Voltage	Guaranteed Logic HIGH for Control Inputs	2.0	—	—	V	
V _{IL}	Input LOW Voltage	Guaranteed Logic LOW for Control Inputs	—	—	0.8	V	
I _{IH}	Input HIGH Current	V _{CC} = Max. V _I = V _{CC}	—	—	±1	μA	
I _{IL}	Input LOW Current		V _I = GND	—	—		±1
I _{OZH}	High Impedance Output Current (3-State Output pins)	V _{CC} = Max. V _O = V _{CC}	—	—	±1	μA	
I _{OZL}			V _O = GND	—	—		±1
I _{OS}	Short Circuit Current	V _{CC} = Max., V _O = GND ⁽³⁾	—	300	—	mA	
V _{IK}	Clamp Diode Voltage	V _{CC} = Min., I _{IN} = -18mA	—	-0.7	-1.2	V	
R _{ON}	Switch On Resistance ⁽⁴⁾	V _{CC} = Min. V _{IN} = 0.0V I _{ON} = 30mA	3xxx	5	7	Ω	
			32xxx	17	28		40
		V _{CC} = Min. V _{IN} = 2.4V I _{ON} = 15mA	3xxx	—	10	15	Ω
			32xxx	20	35	48	
I _{OFF}	Input/Output Power Off Leakage	V _{CC} = 0V, V _{IN} or V _O ≤ 4.5V	—	—	±1	μA	
I _{CC}	Quiescent Power Supply Current	V _{CC} = Max., V _I = GND or V _{CC}	—	0.1	3	μA	

3258 Ink 05

NOTES:

- For conditions shown as Max. or Min., use appropriate value specified under Electrical Characteristics for the applicable device type.
- Typical values are at V_{CC} = 5.0V, +25°C ambient.
- Not more than one output should be tested at one time. Duration of the test should not exceed one second.
- Measured by voltage drop between ports at indicated current through the switch.

POWER SUPPLY CHARACTERISTICS

Symbol	Parameter	Test Conditions ⁽¹⁾		Min.	Typ. ⁽²⁾	Max.	Unit
ΔI_{CC}	Quiescent Power Supply Current TTL Inputs HIGH	$V_{CC} = \text{Max.}$ $V_{IN} = 3.4V^{(3)}$		—	0.5	1.5	mA
I_{CCD}	Dynamic Power Supply Current ⁽⁴⁾	$V_{CC} = \text{Max.}$ Outputs Open Enable Pin Toggling 50% Duty Cycle	$V_{IN} = V_{CC}$ $V_{IN} = \text{GND}$	—	30	40	$\mu\text{A}/$ MHz/ Switch
I_C	Total Power Supply Current ⁽⁶⁾	$V_{CC} = \text{Max.}$ Outputs Open Enable Pin Toggling (10 Switches Toggling) $f_i = 10\text{MHz}$ 50% Duty Cycle	$V_{IN} = V_{CC}$ $V_{IN} = \text{GND}$	—	3.0	4.0	mA
			$V_{IN} = 3.4$ $V_{IN} = \text{GND}$	—	3.3	4.8	

NOTES:

3258 tbl 06

- For conditions shown as Max. or Min., use appropriate value specified under Electrical Characteristics for the applicable device type.
- Typical values are at $V_{CC} = 5.0V$, $+25^\circ\text{C}$ ambient.
- Per TTL driven input ($V_{IN} = 3.4V$). All other inputs at V_{CC} or GND .
- This parameter is not directly testable, but is derived for use in Total Power Supply Calculations.
- Values for these conditions are examples of the I_{CC} formula. These limits are guaranteed but not tested.
- $I_C = I_{\text{QUIESCENT}} + I_{\text{INPUTS}} + I_{\text{DYNAMIC}}$
 $I_C = I_{CC} + \Delta I_{CC} \text{DH}_{NT} + I_{CCD}$ (fIN)
 $I_{CC} = \text{Quiescent Current}$
 $\Delta I_{CC} = \text{Power Supply Current for a TTL High Input } (V_{IN} = 3.4V)$
 $\text{DH} = \text{Duty Cycle for TTL Inputs High}$
 $\text{NT} = \text{Number of TTL Inputs at DH}$
 $I_{CCD} = \text{Dynamic Current Caused by an Input Transition Pair (HLH or LHL)}$
 $f_i = \text{Input Frequency}$
 $N = \text{Number of Switches Toggling at } f_i$
 All currents are in milliamps and all frequencies are in megahertz.

SWITCHING CHARACTERISTICS OVER OPERATING RANGE

Following Conditions Apply Unless Otherwise Specified:

Commercial: $T_A = -40^\circ\text{C}$ to $+85^\circ\text{C}$, $V_{CC} = 5.0V \pm 5\%$

Symbol	Description	Condition ⁽¹⁾	Min. ⁽²⁾	Typ.	3383	32383	Unit	
					Max.			
t_{PLH} t_{PHL}	Data Propagation Delay Ai to Ci, Di Bi to Ci, Di ^(3,4)	$C_L = 50\text{pF}$ $R_L = 500\Omega$	—	—	0.25	1.25	ns	
t_{BX}	Switch Multiplex Delay BX to Ai, Bi, Ci, Di		1.5	—	6.5	7.5		
t_{PZH} t_{PZL}	Switch Turn on Delay BE to Ai, Bi, Ci, Di		1.5	—	6.5	7.5		
t_{PHZ} t_{PLZ}	Switch Turn off Delay BE to Ai, Bi ⁽³⁾		1.5	—	5.5	5.5		
$ Q_{CI} $	Charge Injection, Typical ^(5,7)		—	1.5	—	—		pC
$ Q_{CDI} $	Charge Injection, Typical ^(6,7)		—	0.5	—	—		

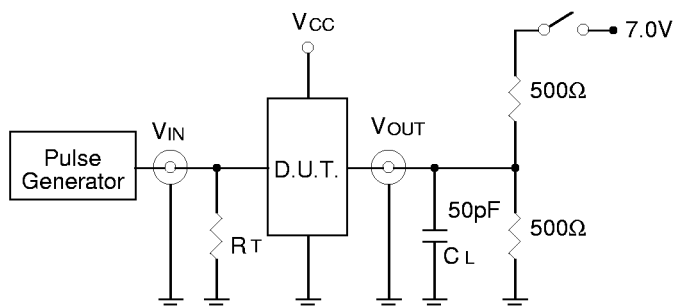
NOTES:

3258 tbl 07

- See test circuit and waveforms.
- Minimum limits guaranteed but not tested.
- This parameter is guaranteed by design but not tested.
- The bus switch contributes no propagation delay other than the RC delay of the on resistance of the switch and the load capacitance. The time constant for the switch alone is of the order of 0.25 ns for 50 pF load. Since this time is constant and much smaller than the rise/fall times of typical driving signals, it adds very little propagation delay to the system. Propagation delay of the bus switch when used in a system is determined by the driving circuit on the driving side of the switch and its interaction with the load on the driven side.
- Measured at switch turn off, load = 50 pF in parallel with 10 M Ω scope probe, $V_{IN} = 0.0$ volts.
- Measured at switch turn off through bus multiplexer, (e.g. - A to C => A to D), load = 50 pF in parallel with 10 M Ω scope probe, V_{IN} at A = 0.0 volts. Charge injection is reduced because the injection from the turn off of the A to C switch is compensated by the turn on of the B to C switch.
- Characterized parameter. Not 100% tested.

TEST CIRCUITS AND WAVEFORMS

TEST CIRCUITS FOR ALL OUTPUTS



3258 Ink 03

SWITCH POSITION

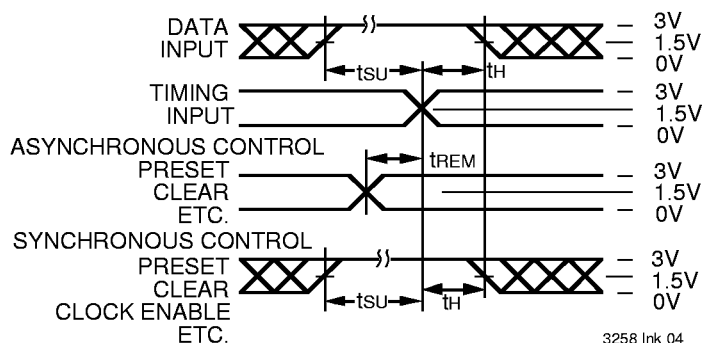
Test	Switch
Open Drain Disable Low Enable Low	Closed
All Other Tests	Open

DEFINITIONS:

CL = Load capacitance: includes jig and probe capacitance.
RT = Termination resistance: should be equal to ZOUT of the Pulse Generator.

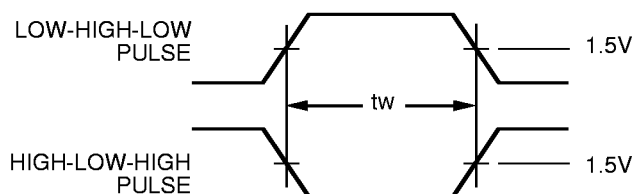
3258 Ink 08

SET-UP, HOLD AND RELEASE TIMES



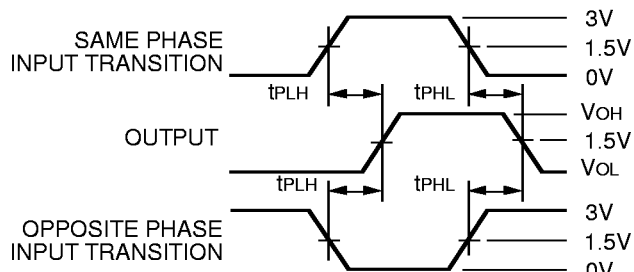
3258 Ink 04

PULSE WIDTH



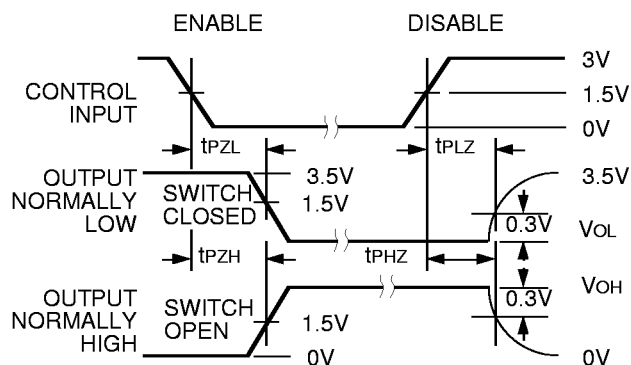
3258 Ink 05

PROPAGATION DELAY



3258 Ink 06

ENABLE AND DISABLE TIMES

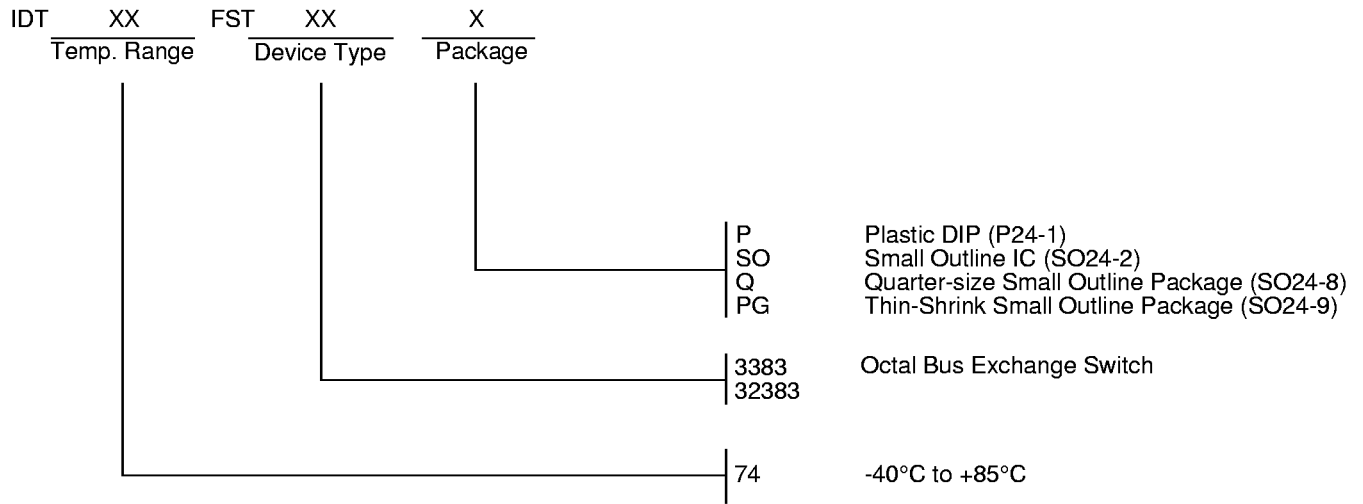


3258 Ink 07

NOTES:

- Diagram shown for input Control Enable-LOW and input Control Disable-HIGH
- Pulse Generator for All Pulses: Rate $\leq 1.0\text{MHz}$; $t_f \leq 2.5\text{ns}$; $t_r \leq 2.5\text{ns}$

ORDERING INFORMATION



3258 Ink 08