

T-46-09-05

LS323



# 54LS323/DM74LS323

## 8-Bit Universal Shift/Storage Register with Synchronous Reset and Common I/O Pins

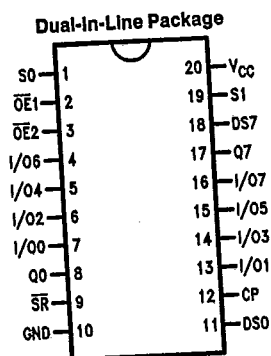
### General Description

The 'LS323 is an 8-bit universal shift/storage register with TRI-STATE® outputs. Its function is similar to the 'LS299 with the exception of Synchronous Reset. Parallel load inputs and flip-flop outputs are multiplexed to minimize pin count. Separate inputs and outputs are provided for flip-flops Q0 and Q7 to allow easy cascading. Four operation modes are possible: hold (store), shift left, shift right, and parallel load. All modes are activated on the LOW-to-HIGH transition of the Clock.

### Features

- Common I/O for reduced pin count
- Four operation modes: shift left, shift right, parallel load and store
- Separate continuous inputs and outputs from Q0 and Q7 allow easy cascading
- Fully synchronous reset
- TRI-STATE outputs for bus oriented applications

### Connection Diagram



TL/F/8828-1

Order Number 54LS323DMQB, 54LS323FMQB, DM74LS323WM or DM74LS323N  
See NS Package Number J20A, M20B, N20A or W20A

Pin Names	Description
CP	Clock Pulse Input (Active Rising Edge)
DS0	Serial Data Input for Right Shift
DS7	Serial Data Input for Left Shift
S0, S1	Mode Select Inputs
SR	Synchronous Reset Input (Active LOW)
OE1, OE2	TRI-STATE Output Enable Inputs (Active LOW)
I/O0-I/O7	Parallel Data Inputs or TRI-STATE Parallel Outputs
Q0, Q7	Serial Outputs



LS323

T-46-09-05

**Absolute Maximum Ratings** (Note)

If Military/Aerospace specified devices are required, please contact the National Semiconductor Sales Office/Distributors for availability and specifications.

- Supply Voltage 7V
- Input Voltage 10V
- Operating Free Air Temperature Range
  - 54LS -55°C to +125°C
  - DM74LS 0°C to +70°C
- Storage Temperature Range -65°C to +150°C

Note: The "Absolute Maximum Ratings" are those values beyond which the safety of the device cannot be guaranteed. The device should not be operated at these limits. The parametric values defined in the "Electrical Characteristics" table are not guaranteed at the absolute maximum ratings. The "Recommended Operating Conditions" table will define the conditions for actual device operation.

**Recommended Operating Conditions**

Symbol	Parameter	54LS323			DM74LS323			Units
		Min	Nom	Max	Min	Nom	Max	
V <sub>CC</sub>	Supply Voltage	4.5	5	5.5	4.75	5	5.25	V
V <sub>IH</sub>	High Level Input Voltage	2			2			V
V <sub>IL</sub>	Low Level Input Voltage			0.7			0.8	V
I <sub>OH</sub>	High Level Output Current			-0.4			-0.4	mA
I <sub>OL</sub>	Low Level Output Current			4			8	mA
T <sub>A</sub>	Free Air Operating Temperature	-55		125	0		70	°C
t <sub>s</sub> (H)	Setup Time HIGH or LOW	24			24			ns
t <sub>s</sub> (L)	S0 or S1 to CP	24			24			
t <sub>h</sub> (H)	Hold Time HIGH or LOW	5			0			ns
t <sub>h</sub> (L)	S0 or S1 to CP	5			0			
t <sub>s</sub> (H)	Setup Time HIGH or LOW	15			10			ns
t <sub>s</sub> (L)	I/O <sub>n</sub> , D <sub>S0</sub> , D <sub>S7</sub> to CP	15			10			
t <sub>h</sub> (H)	Hold Time HIGH or LOW	5			0			ns
t <sub>h</sub> (L)	I/O <sub>n</sub> , D <sub>S0</sub> , D <sub>S7</sub> to CP	5			0			
t <sub>s</sub> (H)	Setup Time HIGH or LOW	30			15			ns
t <sub>s</sub> (L)	SR to CP	20			15			
t <sub>h</sub> (H)	Hold Time HIGH or LOW	0			0			ns
t <sub>h</sub> (L)	SR to CP	0			0			
t <sub>w</sub> (H)	CP Pulse Width HIGH or LOW	15			15			ns
t <sub>w</sub> (L)		15			15			

LS323

**Electrical Characteristics**

Over recommended operating free air temperature range (unless otherwise noted)

T-46-09-05

Symbol	Parameter	Conditions	Min	Typ (Note 1)	Max	Units
V <sub>I</sub>	Input Clamp Voltage	V <sub>CC</sub> = Min, I <sub>I</sub> = -18 mA			-1.5	V
V <sub>OH</sub>	High Level Output Voltage	V <sub>CC</sub> = Min, I <sub>OH</sub> = Max V <sub>IL</sub> = Max	54LS 2.5			V
V <sub>OL</sub>	Low Level Output Voltage	V <sub>CC</sub> = Min, I <sub>OL</sub> = Max V <sub>IH</sub> = Min	54LS		0.4	V
			DM74		0.35	
		I <sub>OL</sub> = 4 mA, V <sub>CC</sub> = Min	DM74		0.25	0.4
I <sub>I</sub>	Input Current @ Max Input Voltage	V <sub>CC</sub> = Max, V <sub>I</sub> = 10V			0.1	mA
		S <sub>n</sub> Inputs			0.2	mA
I <sub>IH</sub>	High Level Input Current	V <sub>CC</sub> = Max, V <sub>I</sub> = 2.7V			20	μA
			S <sub>n</sub> Inputs			40
I <sub>IL</sub>	Low Level Input Current	V <sub>CC</sub> = Max, V <sub>I</sub> = 0.4V			-0.4	mA
			S <sub>n</sub> Inputs			-0.8
I <sub>OS</sub>	Short Circuit Output Current	V <sub>CC</sub> = Max (Note 2)	54LS	-20	-100	mA
			DM74	-20	-100	
I <sub>CC</sub>	Supply Current	V <sub>CC</sub> = Max			60	mA
I <sub>OZH</sub>	TRI-STATE Output Off Current HIGH	V <sub>CC</sub> = V <sub>CCH</sub> V <sub>OZH</sub> = 2.7V			40	μA
I <sub>OZL</sub>	TRI-STATE Output Off Current LOW	V <sub>CC</sub> = V <sub>CCH</sub> V <sub>OZL</sub> = 0.4V			-400	μA

Note 1: All typicals are at V<sub>CC</sub> = 5V, T<sub>A</sub> = 25°C.

Note 2: Not more than one output should be shorted at a time, and the duration should not exceed one second.

**Switching Characteristics**

V<sub>CC</sub> = +5.0V, T<sub>A</sub> = +25°C (See Section 1 for waveforms and load configurations)

Symbol	Parameter	54LS323		DM74LS323		Units
		C <sub>L</sub> = 15 pF		R <sub>L</sub> = 2 kΩ, C <sub>L</sub> = 15 pF		
		Min	Max	Min	Max	
f <sub>max</sub>	Maximum Input Frequency	35		35		MHz
t <sub>PLH</sub> t <sub>PHL</sub>	Propagation Delay CP to Q0 or Q7		26 28		23 25	ns
t <sub>PLH</sub> t <sub>PHL</sub>	Propagation Delay CP to I/O <sub>n</sub>		25 35		25 29	ns
t <sub>pZH</sub> t <sub>pZL</sub>	Output Enable Time C <sub>L</sub> = 50 pF		18 25		18 23	ns
t <sub>PHZ</sub> t <sub>PLZ</sub>	Output Disable Time C <sub>L</sub> = 5 pF		15 20		15 15	ns



LS323

T-46-09-05

### Functional Description

The 'LS323 contains eight edge-triggered D-type flip-flops and the interstage logic necessary to perform synchronous reset, shift left, shift right, parallel load and hold operations. The type of operation is determined by S0 and S1 as shown in the Mode Select Table. All flip-flop outputs are brought out through TRI-STATE buffers to separate I/O pins that also serve as data inputs in the parallel load mode. Q0 and Q7 are also brought out on other pins for expansion in serial shifting of longer words.

A LOW signal on  $\overline{SR}$  overrides the Select inputs and allows the flip-flops to be reset by the next rising edge of CP. All other state changes are also initiated by the LOW-to-HIGH CP transition. Inputs can change when the clock is in either state provided only that the recommended setup and hold times, relative to the rising edge of CP, are observed.

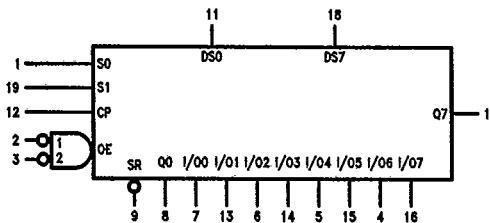
A HIGH signal on either  $\overline{OE}1$  or  $\overline{OE}2$  disables the TRI-STATE buffers and puts the I/O pins in the high impedance state. In this condition the shift, load, hold and reset operations can still occur. The TRI-STATE buffers are also disabled by HIGH signals on both S0 and S1 in preparation for a parallel load operation.

Mode Select Table

Inputs				Response
$\overline{SR}$	S1	S0	CP	
L	X	X	↗	Synchronous Reset; Q0-Q7 = LOW
H	H	H	↗	Parallel Load; I/O <sub>n</sub> → Q <sub>n</sub>
H	L	H	↗	Shift Right; DS0 → Q0, Q0 → Q1, etc.
H	H	L	↗	Shift Left; DS7 → Q7, Q7 → Q6, etc.
H	H	H	X	Hold

H = HIGH Voltage Level  
 L = LOW Voltage Level  
 X = Immaterial

### Logic Symbol

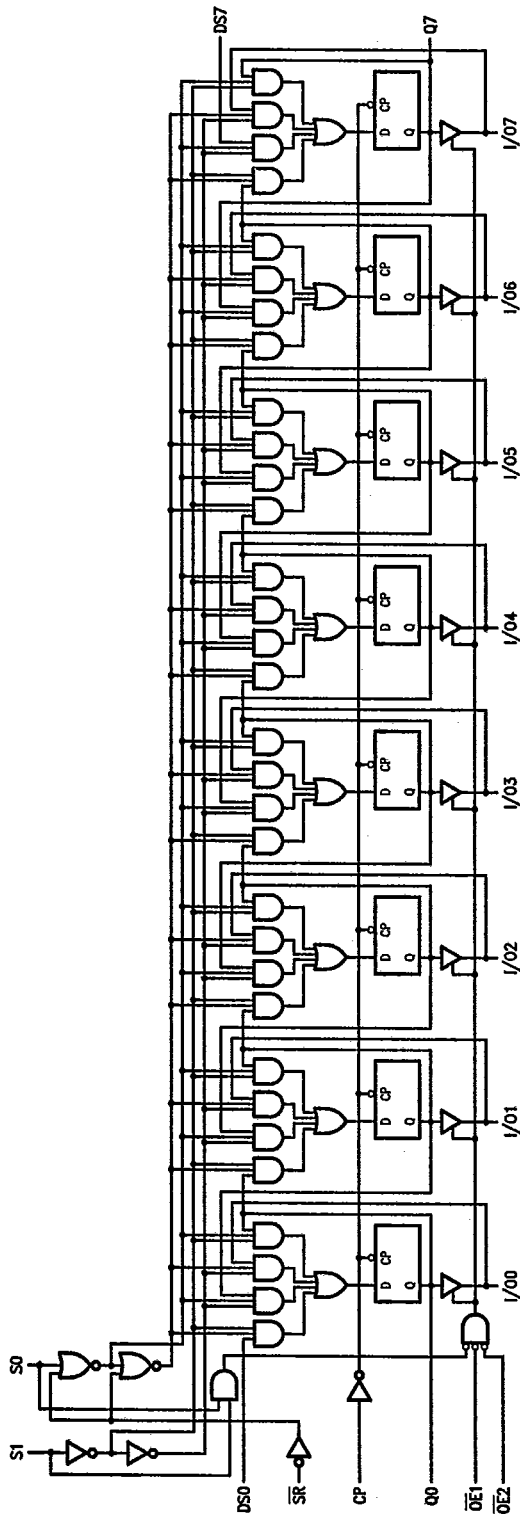


V<sub>CC</sub> = Pin 20 TL/F/8829-2  
 GND = Pin 10

Logic Diagram

T-46-09-05

LS323



TL/F/9823-3