

Am29821A - Am29826A

High-Performance Bus Interface Registers



Am29821A - Am29826A

Advanced Micro Devices

October 1985

PRELIMINARY

DISTINCTIVE CHARACTERISTICS

- High-speed parallel positive edge-triggered registers with D-type flip-flops
 - Noninverting CP-Y $t_{PD} = 6$ ns typical
 - Inverting CP-Y $t_{PD} = 6$ ns typical
- Buffered common Clock Enable (\overline{EN}) and asynchronous Clear input (CLR)
- Three-state outputs glitch free during power-up and down. Outputs have Schottky clamp to ground
- I_{OL} : 48 mA Commercial, 32 mA Military
- Metastable "Hardened" Registers
- Higher speed, lower power versions of the Am29821 - 826.

GENERAL DESCRIPTION

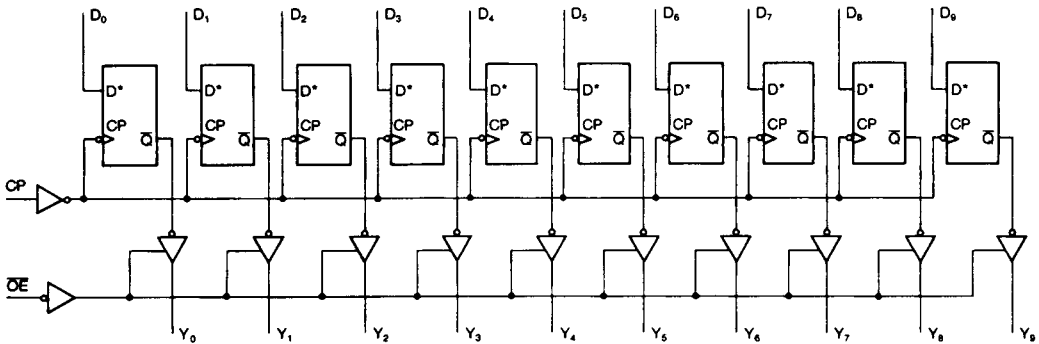
The Am29821A - 826A Series Bus Interface Registers are designed to eliminate the extra packages required to buffer existing registers, and provide extra data width for wider address/data paths or buses carrying parity. The Am29821A and Am29822A are buffered, 10-bit wide versions of the popular '374'/534 functions. The Am29823A and Am29824A are 9-bit wide buffered registers with Clock Enable (EN) and Clear (CLR) - ideal for parity bus

interfacing in high-performance microprogrammed systems. The Am29825A and Am29826A are 8-bit buffered registers with all the 9-bit controls plus multiple enables ($\overline{OE}_1, \overline{OE}_2, \overline{OE}_3$) to allow multiuser control of the interface, e.g., \overline{CS} , DMA, and RD/ \overline{WR} . They are ideal for use as an output port requiring high I_{OL}/I_{OH} .

All of the Am29800A high-performance interface family are designed for high-capacitance load drive capability.

BLOCK DIAGRAM

Am29821A/Am29822A*



BD005500

D* = D for the Am29821A, \overline{D} for the Am29822A

PRODUCT SELECTOR GUIDE

Am29821A 016726
 22 : 27
 23 : 28
 24 : 29
 25 30
 Am29822A 31

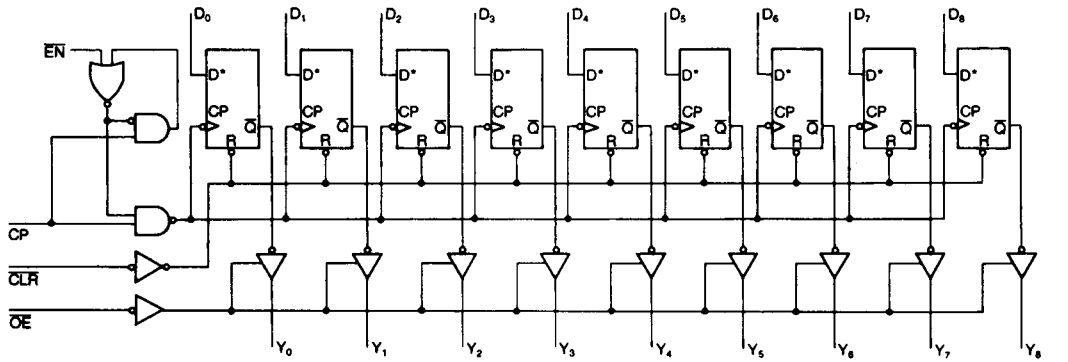
	Device		
	10-Bit	9-Bit	8-Bit
Noninverting	Am29821A	Am29823A	Am29825A
Inverting	Am29822A	Am29824A	Am29826A

~~D POS. EDGE TRIGGERED FLIP-FLOP~~

*See following page for additional Block Diagrams.

BLOCK DIAGRAMS (Cont.)

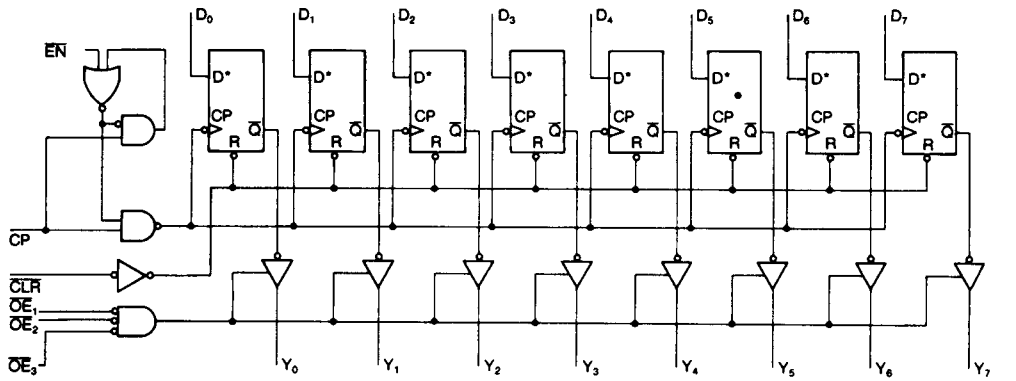
Am29823A/Am29824A



BD005510

$D^* = D$ for the Am29823A, \bar{D} for the Am29824A

Am29825A/Am29826A



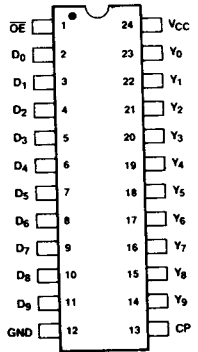
BD005520

$D^* = D$ for the Am29825A, \bar{D} for the Am29826A

CONNECTION DIAGRAMS Top View

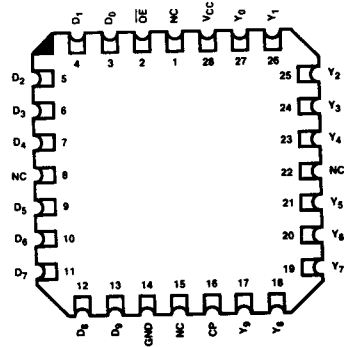
Am29821A/Am29822A

DIPs



CD001360

LCC*

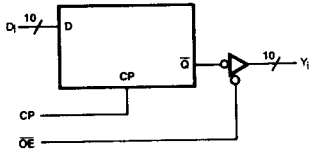


CD001370

*Same pinouts apply for PLCC

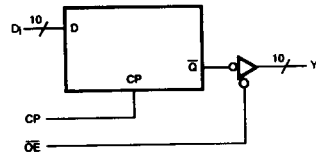
LOGIC SYMBOLS

Am29821A



LS000453

Am29822A



LS000452

FUNCTION TABLE

Inputs			Am29821A		Am29822A		Function
			Internal	Outputs	Internal	Outputs	
OE	D _i	CP	Q _i	Y _i	Q _i	Y _i	
H	L	↑	H	Z	L	Z	Hi-Z
H	H	↑	L	Z	H	Z	
H	X	X	NC	Z	NC	Z	Hold
L	X	X	NC	NC	NC	NC	
L	L	↑	H	L	L	H	Load
L	H	↑	L	H	H	L	

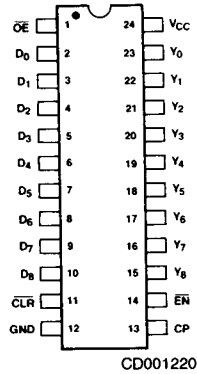
H = HIGH
L = LOW
X = HIGH or LOW

NC = No Change
↑ = LOW-to-HIGH Transition
Z = High Impedance

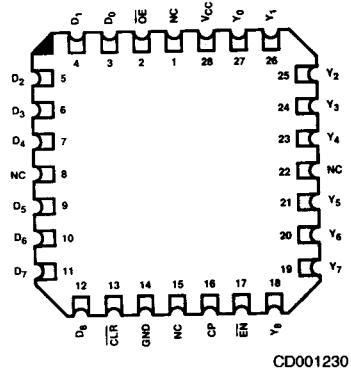
CONNECTION DIAGRAMS Top View

Am29823A/Am29824A

DIPs



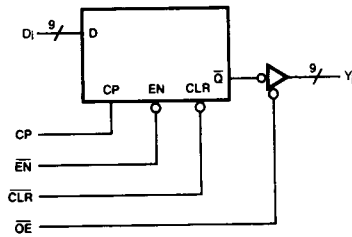
LCC*



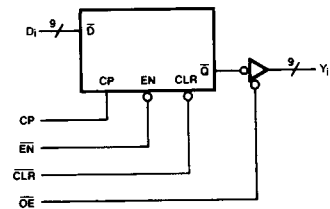
*Same pinouts apply for PLCC

LOGIC SYMBOLS

Am29823A



Am29824A



FUNCTION TABLE

					Am29823A		Am29824A		
Inputs					Internal	Outputs	Internal	Outputs	Function
OE	CLR	EN	D _i	CP	Q _i	Y _i	Q _i	Y _i	
H	H	L	L	↑	H	Z	L	Z	Hi-Z
H	H	H	H	↑	L	Z	H	Z	
H	L	X	X	X	H	Z	H	Z	Clear
L	L	X	X	X	H	L	H	L	
H	H	H	X	X	NC	Z	NC	Z	Hold
L	H	H	X	X	NC	NC	NC	NC	
H	H	L	L	↑	H	Z	L	Z	Load
H	H	L	L	↑	L	Z	H	Z	
L	H	L	L	↑	H	L	L	H	
L	H	L	H	↑	L	H	H	L	

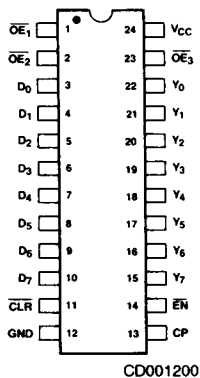
H = HIGH
L = LOW
X = Don't Care

NC = No Change
↑ = LOW-to-HIGH Transition
Z = High Impedance

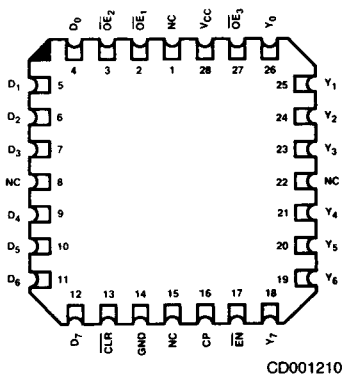
CONNECTION DIAGRAMS Top View

Am29825A/Am29826A

DIPs



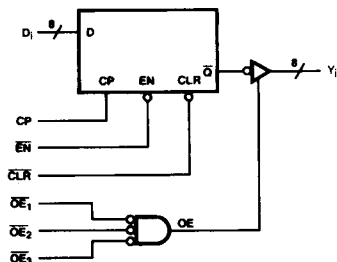
LCC*



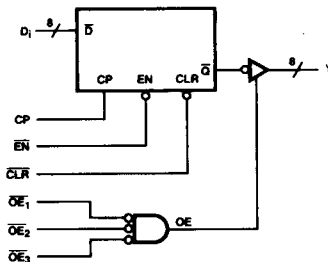
*Same pinouts apply for PLCC

LOGIC SYMBOLS

Am29825A



Am29826A



FUNCTION TABLE

	Inputs					Am29825A		Am29826A		Function
	OE*	CLR	EN	D ₁	CP	Internal Q ₁	Outputs Y ₁	Internal Q ₁	Outputs Y ₁	
L	H	L	L	↑	↑	H	Z	L	Z	Hi-Z
L	H	L	H	↑	↑	L	Z	H	Z	
L	L	X	X	X	X	H	Z	H	Z	Clear
H	L	X	X	X	X	H	L	H	L	
L	H	H	X	X	X	NC	Z	NC	Z	Hold
H	H	H	X	X	X	NC	NC	NC	NC	
L	H	L	L	↑	↑	H	Z	L	Z	Load
L	H	L	H	↑	↑	L	Z	H	Z	
H	H	L	L	↑	↑	H	L	L	H	
H	H	L	H	↑	↑	L	H	H	L	

*OE is an Active HIGH internal signal produced as follows:

OE ₁	OE ₂	OE ₃	OE
H	X	X	L
X	H	X	L
X	X	H	L
L	L	L	H

H = HIGH
L = LOW
X = Don't Care

NC = No Change
↑ = LOW-to-HIGH Transition
Z = High Impedance

ORDERING INFORMATION AMD STANDARD PRODUCTS

AMD products are available in several packages and operating ranges. The order number (Valid Combination) is formed by a combination of:

- A. Device Number**
- B. Speed Option** (if applicable)
- C. Package Type**
- D. Temperature Range**
- E. Optional Processing**

Am29821A

P

C

B

E. OPTIONAL PROCESSING

Blank = Standard processing
B = Burn-in

D. TEMPERATURE RANGE

C = Commercial (0 to +70°C)
M = Military* (-55 to +125°C)

C. PACKAGE TYPE

P = 24-Pin (Slim) Plastic DIP (PD3024)
D = 24-Pin (Slim) Ceramic DIP (CD3024)
J = 28-Pin Plastic Leaded Chip Carrier (PL 028**)
L = 28-Pin Ceramic Leadless Chip Carrier (CL 028)
X = Dice

B. SPEED OPTION

Not Applicable

A. DEVICE NUMBER/DESCRIPTION

Am29821A	10-Bit Register (Noninverting)
Am29822A	10-Bit Register (Inverting)
Am29823A	9-Bit Register (Noninverting)
Am29824A	9-Bit Register (Inverting)
Am29825A	8-Bit Register (Noninverting)
Am29826A	8-Bit Register (Inverting)

Valid Combinations

Am29821A - 826A	PC, PCB, DC, DCB, DM, DMB, JC**, JCB**, LC, LCB, LM, LMB, XC, XM
-----------------	--

Valid Combinations

Consult the local AMD sales office to confirm availability of specific valid combinations, to check on newly released valid combinations, and to obtain additional data on AMD's standard military grade products.

* Military or Limited Military temperature range products are "NPL" (Non-Compliant Product List), or Non-MIL-STD-883C Compliant products only.

** Preliminary. Subject to Change.

PIN DESCRIPTION

D_i Data Input (Input)

D_i are the flip-flop data inputs.

Y_i Data Outputs (Output)

Y_i are the three-state data outputs.

CP Clock Pulse (Input, LOW-to-HIGH Transition)

Clock Pulse is the clock input for the registers. Data is entered into the registers on LOW-to-HIGH transitions.

Am29821A/Am29822A Only

\overline{OE} Output Enable (Input, Active LOW)

When the \overline{OE} input is HIGH, the Y_i outputs are in the high-impedance state. When \overline{OE} is LOW, the register data is transferred to the Y_i outputs.

Am29823A/Am29824A Only

\overline{EN} Clock Enable (Input, Active LOW)

When the \overline{EN} input is LOW, data on the D_i inputs are transferred to the \overline{Q}_i outputs on the LOW-to-HIGH clock transition. When \overline{EN} is HIGH, the \overline{Q}_i outputs do not change state, regardless of data or clock input transitions.

\overline{CLR} Clear (Input, Active LOW)

When the \overline{CLR} input is LOW and \overline{OE} is LOW, the Y_i outputs

are LOW. When \overline{CLR} is HIGH, data can be entered into the register.

\overline{OE} Output Enable (Input, Active LOW)

When the \overline{OE} input is HIGH, the Y_i outputs are put in the high-impedance state. When \overline{OE} is LOW, the register data is passed to the Y_i outputs.

Am29825A/Am29826A Only

\overline{EN} Clock Enable (Input, Active LOW)

When the \overline{EN} input is LOW, data on the D_i inputs are transferred to the \overline{Q}_i outputs on the LOW-to-HIGH clock transition. When \overline{EN} is HIGH, the \overline{Q}_i outputs do not change state, regardless of data or clock input transitions.

\overline{CLR} Clear (Input, Active LOW)

When the \overline{CLR} input is LOW and all \overline{OE}_i inputs are LOW, the Y_i outputs are LOW. When \overline{CLR} is HIGH, data can be entered into the register.

\overline{OE} Output Enables (Input, Active LOW)

When \overline{OE}_1 , \overline{OE}_2 , and \overline{OE}_3 are all LOW, register data is passed to the Y_i outputs. If any or all \overline{OE}_i are HIGH, the Y_i outputs are put in a high-impedance state.

ABSOLUTE MAXIMUM RATINGS

Storage Temperature	-65 to +150°C
Ambient Temperature with Power Applied	-55 to +125°C
Supply Voltage to Ground Potential Continuous	-0.5 V to +7.0 V
DC Voltage Applied to Outputs for High Output State	-0.5 V to 5.5 V
DC Input Voltage	-0.5 V to +5.5 V
DC Output Current, into Outputs	100 mA
DC Input Current	-30 mA to +5.0 mA

Stresses above those listed under ABSOLUTE MAXIMUM RATINGS may cause permanent device failure. Functionality at or above these limits is not implied. Exposure to absolute maximum ratings for extended periods may affect device reliability.

OPERATING RANGES

Commercial (C) Devices	
Temperature, T_A	0 to +70°C
Supply Voltage	+4.5 V to +5.5 V
Military (M) Devices	
Temperature, T_C	-55 to +125°C
Supply Voltage	+4.5 V to +5.5 V






Operating ranges define those limits over which the functionality of the device is guaranteed.

DC CHARACTERISTICS over operating range unless otherwise specified

Parameters	Description	Test Conditions		Min.	Max.	Units
V _{OH}	Output HIGH Voltage	V _{CC} = Min. V _{IN} = V _{IH} or V _{IL}	I _{OH} = -15 mA	2.4		Volts
			I _{OH} = -24 mA	2.0		
V _{OL}	Output LOW Voltage	V _{CC} = Min. V _{IN} = V _{IH} or V _{IL}	MIL, I _{OL} = 32 mA		0.5	Volts
			COM'L, I _{OL} = 48 mA		0.5	
V _{IH}	Input HIGH Level	Guaranteed input logical HIGH voltage for all inputs		2.0		Volts
V _{IL}	Input LOW Level	Guaranteed input logical LOW voltage for all inputs			0.8	Volts
V _I	Input Clamp Voltage	V _{CC} = Min., I _{IN} = -18 mA			-1.2	Volts
I _{IL}	Input LOW Current	V _{CC} = Max., V _{IN} = 0.4 V			-500	μA
I _{IH}	Input HIGH Current	V _{CC} = Max., V _{IN} = 2.7 V			50	μA
I _I	Input HIGH Current	V _{CC} = Max., V _{IN} = 5.5 V			100	μA
I _{OZL}	Output Off-State (High Impedance) Output Current	V _{CC} = Max.	V _O = 0.4 V		-50	μA
I _{OZH}			V _O = 2.7 V		50	
I _{SC}	Output Short Circuit Current (Note 1)	V _{CC} = Max., V _{OUT} = 0 V		-75	-250	mA
I _{OFF}	Bus Leakage Current	V _{CC} = 0 V, V _{OUT} = 2.9 V			100	μA
I _{CC}	Supply Current (Note 2)	V _{CC} = Max. Outputs Open EN = LOW	Over Temperature Range		110	mA
			+70°C			
			+125°C			

- Notes: 1. Not more than one output should be shorted at a time, and duration of the short-circuit test should not exceed one second.
2. Clock input, CP, is HIGH after clocking in data to produce outputs = LOW.

SWITCHING CHARACTERISTICS over operating range unless otherwise specified

Parameters	Description	Test Conditions*	COMMERCIAL		MILITARY		Units	
			Min.	Max.	Min.	Max.		
t _{PHL}	Propagation Delay Clock to Y _i (OE = LOW)	C _L = 50 pF R ₁ = 500 Ω R ₂ = 500 Ω	3.5	7.5	3.5	9.0	ns	
t _{PLH}			3.5	10.5	3.5	11.5	ns	
t _S	Data to \overline{CP} Setup Time		4		4		ns	
t _H	Data to \overline{CP} Hold Time		2		2		ns	
t _S	Enable (\overline{EN} ) to CP Setup Time		4		4		ns	
t _S	Enable (\overline{EN} ) to CP Setup Time		4		4		ns	
t _H	Enable (\overline{EN}) Hold Time		0		0		ns	
t _{PHL}	Propagation Delay, Clear to Y _i			15		15	ns	
t _S	Clear (\overline{CLR} ) to CP Setup Time		7		7		ns	
t _{PWH}	Clock Pulse Width		HIGH	7		7		ns
t _{PWL}			LOW	7		7		ns
t _{PWL}	Clear (\overline{CLR} = LOW) Pulse Width		7		7		ns	
t _{ZH}	Output Enable Time \overline{OE} ) to Y _i			10		10	ns	
t _{ZL}				10		10	ns	
t _{HZ}	Output Disable Time \overline{OE} ) to Y _i			8		10	ns	
t _{LZ}			8		10	ns		

*See Test Circuit and Waveforms.