



# IQS7222C DATASHEET

10 Channel Mutual / 8 Channel Self-capacitive and inductive Touch and Proximity Controller with I<sup>2</sup>C communications interface, configurable GPIOs and low power options

## 1 Device Overview

The IQS7222C ProxFusion® IC is a sensor fusion device for various multi-channel sensing structures from button arrays to sliders and wear detection pairs. The sensor is fully I<sup>2</sup>C compatible and on-chip calculations enable the IC to respond effectively even in lowest power modes.

### 1.1 Main Features

- > Highly flexible ProxFusion® device
- > 9 (QFN) / 8 (WLCSP) external sensor pad connections
- > Configure up to 10<sup>i</sup> Channels using the external connections
- > External sensor options:
  - Up to 8 self capacitive buttons
  - Up to 4 self capacitive wear detection pairs (with physical reference)
  - Up to 10 mutual capacitive touch/proximity sensors
  - Up to 4 inductive sensor elements for metal detection
- > Built-in basic functions:
  - Automatic tuning
  - Noise filtering
  - Differential measurements (reference channels)
  - Debounce & Hysteresis
  - Dual direction trigger indication
- > Built-in Signal processing options:
  - Slider output
  - Wheel output
  - Up to 4 elements per slider/wheel
  - Up to 2 sliders/wheels simultaneously
  - Slider/wheel gestures to be calculated on host processor
- > Design simplicity
  - PC Software for debugging and obtaining optimal settings and performance
  - One-time programmable settings for custom power-on IC configuration
  - Auto-run from programmed settings for simplified integration
- > Automated system power modes for optimal response vs consumption
- > I<sup>2</sup>C communication interface with IRQ/RDY (up to fast plus -1MHz)
- > Event and streaming modes
- > Customizable user interface due to programmable memory
- > Supply Voltage 1.8V(-5%) to 3.5V
- > Small packages
  - WLCSP18 (1.62 x 1.62 x 0.525 mm) - interleaved 0.4mm x 0.6mm ball pitch
  - QFN20 (3.00 x 3.00 x 0.55 mm) - 0.40mm pitch





## 1.2 Applications

- > SAR Compliance in Mobile devices
- > Waterproof Buttons (Inductive)
- > Wear Detection
- > Low power Wake-up Buttons / Proximity
- > Appliance user interface (Sliders, Wheels & Buttons)

## 1.3 Block Diagram

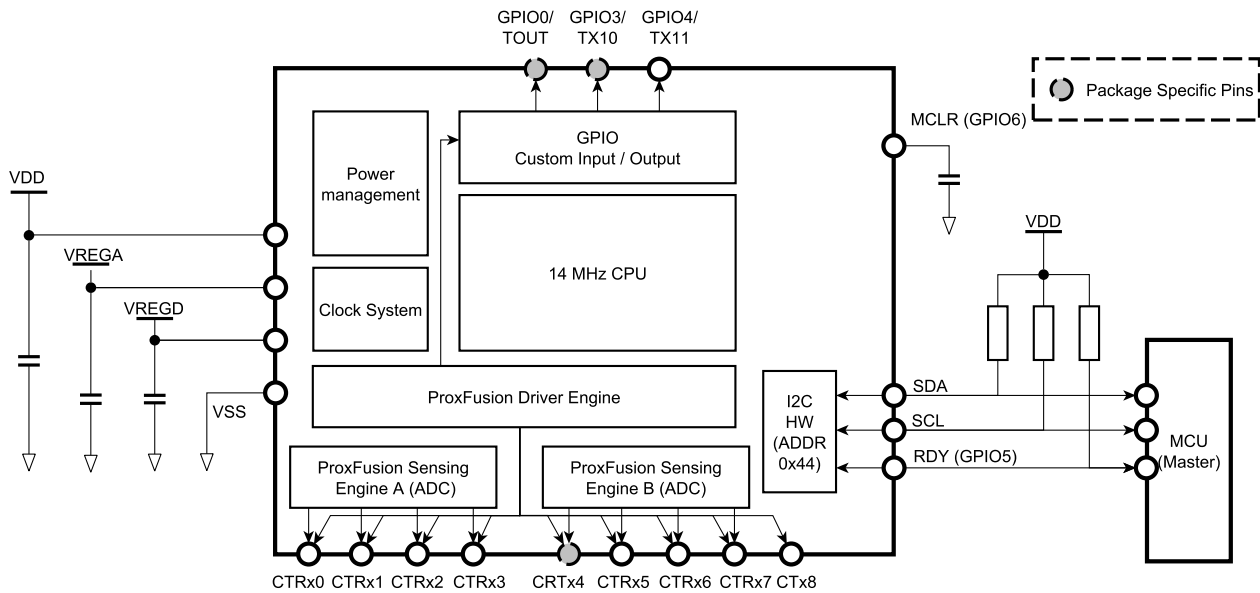


Figure 1.1: Functional Block Diagram<sup>ii</sup>

<sup>i</sup>WLCSP18 package has 1 less external pad connection and the maximum amount of buttons that can be configured are less than QFN20 package

<sup>ii</sup>WLCSP18 packages do not have a CRx4 and combines GPIO0 and GPIO3



## Contents

<b>1</b>	<b>Device Overview</b>	<b>1</b>
1.1	Main Features . . . . .	1
1.2	Applications . . . . .	2
1.3	Block Diagram . . . . .	2
<b>2</b>	<b>Hardware Connection</b>	<b>6</b>
2.1	WLCSP18 Pin Diagrams . . . . .	6
2.2	QFN20 Pin Diagram . . . . .	6
2.3	Pin Attributes . . . . .	7
2.4	Signal Descriptions . . . . .	8
2.5	Reference Schematic . . . . .	9
2.5.1	Possible Slider/Wheel Combinations . . . . .	12
<b>3</b>	<b>Electrical Characteristics</b>	<b>13</b>
3.1	Absolute Maximum Ratings . . . . .	13
3.2	Recommended Operating Conditions . . . . .	13
3.3	ESD Rating . . . . .	14
3.4	Current Consumption . . . . .	14
<b>4</b>	<b>Timing and Switching Characteristics</b>	<b>15</b>
4.1	Reset Levels . . . . .	15
4.2	MCLR Pin Levels and Characteristics . . . . .	15
4.3	Miscellaneous Timings . . . . .	15
4.4	Digital I/O Characteristics . . . . .	16
4.5	I <sup>2</sup> C Characteristics . . . . .	16
<b>5</b>	<b>ProxFusion<sup>®</sup> Module</b>	<b>17</b>
5.1	Channel Options . . . . .	17
5.2	Low Power Options . . . . .	17
5.3	Count Value . . . . .	17
5.3.1	Max Count . . . . .	17
5.4	Reference Value/Long-Term Average (LTA) . . . . .	17
5.4.1	Reseed . . . . .	18
5.5	Automatic Tuning Implementation (ATI) . . . . .	18
5.6	Automatic Re-ATI . . . . .	18
5.6.1	Description . . . . .	18
5.6.2	Conditions for Re-ATI to activate . . . . .	18
5.6.3	ATI Error . . . . .	18
<b>6</b>	<b>Sensing Modes</b>	<b>20</b>
6.1	Mode Timeout . . . . .	20
6.2	Count Filter . . . . .	20
6.2.1	IIR Filter . . . . .	20
<b>7</b>	<b>Hardware Settings</b>	<b>21</b>
7.1	Charge Transfer Frequency . . . . .	21
7.2	Reset . . . . .	21
7.2.1	Reset Indication . . . . .	21
7.2.2	Software Reset . . . . .	21



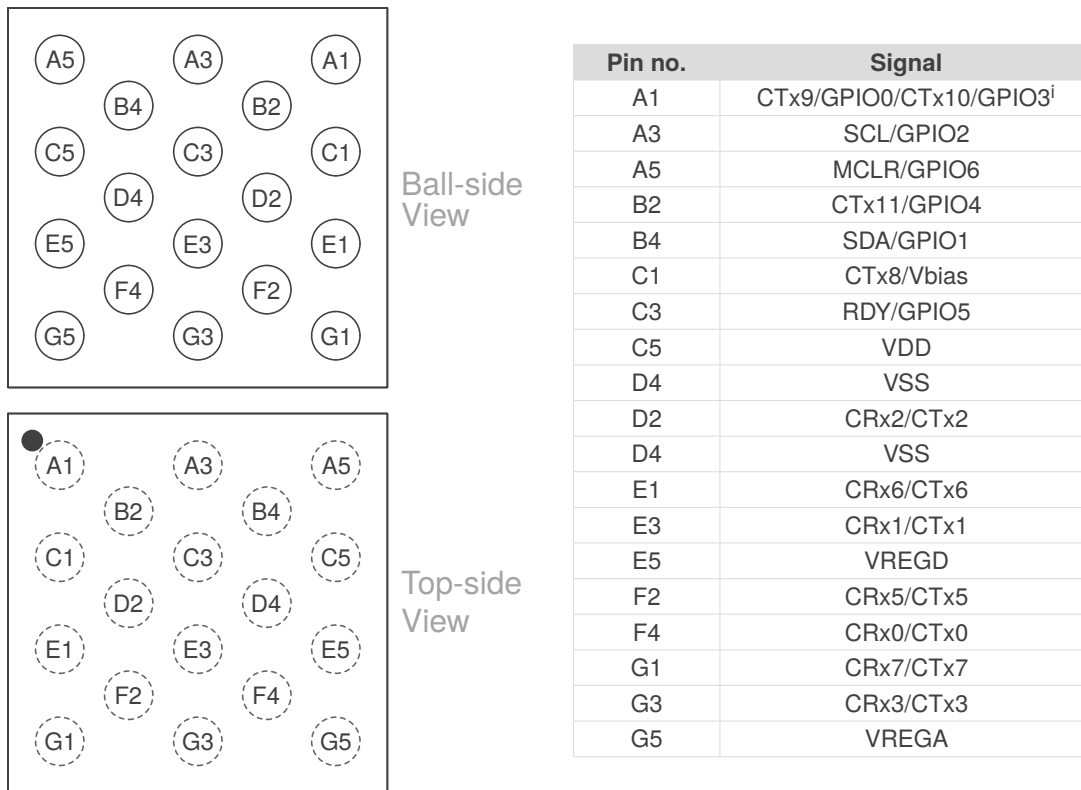
<b>8</b>	<b>Additional Features</b>	<b>22</b>
8.1	Setup Defaults . . . . .	22
8.2	Automated Start-up . . . . .	22
8.3	Watchdog Timer (WDT) . . . . .	22
8.4	RF Immunity . . . . .	22
<b>9</b>	<b>I<sup>2</sup>C Interface</b>	<b>23</b>
9.1	I <sup>2</sup> C Module Specification . . . . .	23
9.2	I <sup>2</sup> C Address . . . . .	23
9.3	I <sup>3</sup> C Compatibility . . . . .	23
9.4	Memory Map Addressing . . . . .	23
9.4.1	8-bit Address . . . . .	23
9.4.2	Extended 16-bit Address . . . . .	23
9.5	Data . . . . .	24
9.6	I <sup>2</sup> C Timeout . . . . .	25
9.7	Terminate Communication . . . . .	25
9.8	RDY/IRQ . . . . .	25
9.9	Invalid Communications Return . . . . .	25
9.10	I <sup>2</sup> C Interface . . . . .	25
9.10.1	I <sup>2</sup> C Streaming . . . . .	25
9.10.2	I <sup>2</sup> C Event Mode . . . . .	26
9.10.3	I <sup>2</sup> C Stream in Touch Mode . . . . .	26
9.11	Event Mode Communication . . . . .	26
9.11.1	Events . . . . .	26
9.11.2	Force Communication . . . . .	26
9.12	Program Flow Diagram . . . . .	27
<b>10</b>	<b>I<sup>2</sup>C Memory Map - Register Descriptions</b>	<b>28</b>
<b>11</b>	<b>Implementation and Layout</b>	<b>33</b>
11.1	Layout Fundamentals . . . . .	33
11.1.1	Power Supply Decoupling . . . . .	33
11.1.2	VREG . . . . .	33
11.1.3	WLCSP Light Sensitivity . . . . .	34
<b>12</b>	<b>Ordering Information</b>	<b>35</b>
12.1	Ordering Code . . . . .	35
12.2	Top Marking . . . . .	35
12.2.1	WLCSP18 Package . . . . .	35
12.2.2	QFN20 Package Marking Option 1 . . . . .	35
12.2.3	QFN20 Package Marking Option 2 . . . . .	35
<b>13</b>	<b>Package Specification</b>	<b>36</b>
13.1	Package Outline Description – QFN20 . . . . .	36
13.2	Package Outline Description – WLCSP18 . . . . .	37
13.3	Tape and Reel Specifications . . . . .	38
13.4	Moisture Sensitivity Levels . . . . .	39
13.5	Reflow Specifications . . . . .	39
<b>A</b>	<b>Memory Map Descriptions</b>	<b>40</b>
<b>B</b>	<b>Revision History</b>	<b>52</b>



## 2 Hardware Connection

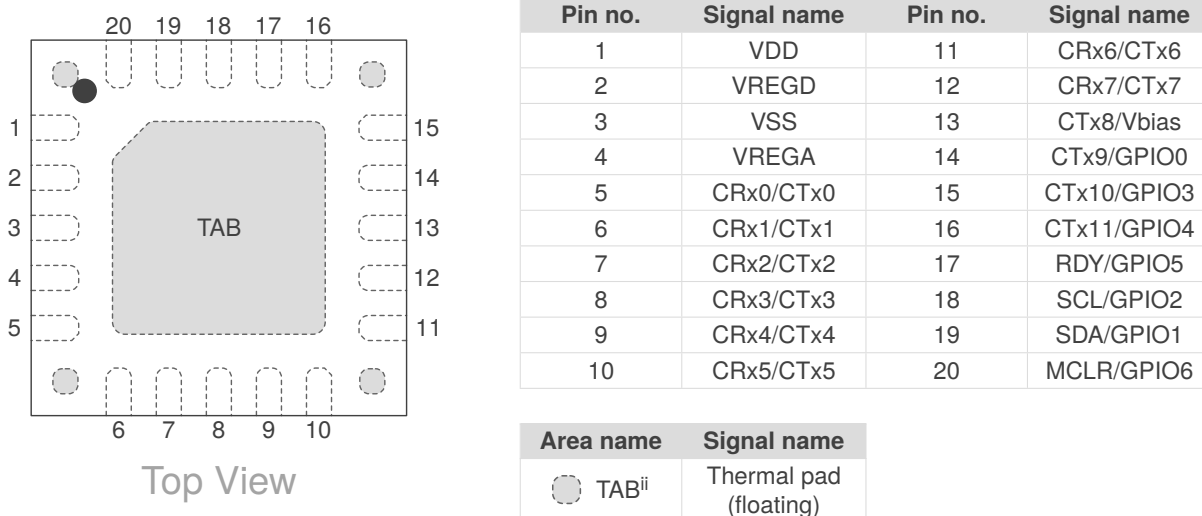
### 2.1 WLCSP18 Pin Diagrams

Table 2.1: 18-pin WLCSP18 Package



### 2.2 QFN20 Pin Diagram

Table 2.2: 20-pin QFN Package (Top View)



<sup>i</sup>Please note that CTx9/GPIO0 and CTx10/GPIO3 are connected together in the WLCSP18 package

<sup>ii</sup>It is recommended to connect the thermal pad (TAB) to VSS.



## 2.3 Pin Attributes

Table 2.3: Pin Attributes

Pin no.		Signal name	Signal type	Buffer type	Power source
WLCSP18	QFN20				
C5	1	VDD	Power	Power	N/A
E5	2	VREGD	Power	Power	N/A
D4	3	VSS	Power	Power	N/A
G5	4	VREGA	Power	Power	N/A
F4	5	CRx0/CTx0	Analog		VREGA
E3	6	CRx1/CTx1	Analog		VREGA
D2	7	CRx2/CTx2	Analog		VREGA
G3	8	CRx3/CTx3	Analog		VREGA
-	9	CRx4/CTx4	Analog		VREGA
F2	10	CRx5/CTx5	Analog		VREGA
E1	11	CRx6/CTx6	Analog		VREGA
G1	12	CRx7/CTx7	Analog		VREGA
C1	13	CTx8/Vbias	Analog		VREGA
A1	14	CTx9/GPIO0	Prox/Digital		VREGA/VDD
B4	19	SDA/GPIO1	Digital		VDD
A3	18	SCL/GPIO2	Digital		VDD
A1	15	CTx10/GPIO3	Prox/Digital		VREGA/VDD
B2	16	CTx11/GPIO4	Prox/Digital		VREGA/VDD
C3	17	RDY/GPIO5	Digital		VDD
A5	20	MCLR/GPIO6	Digital		VDD



## 2.4 Signal Descriptions

Table 2.4: Signal Descriptions

Function	Signal name	Pin no.		Pin type <sup>iii</sup>	Description
		WLCSP18	QFN20		
ProxFusion®	CRx0/CTx0	F4	5	IO	ProxFusion® channel
	CRx1/CTx1	E3	6	IO	
	CRx2/CTx2	D2	7	IO	
	CRx3/CTx3	G3	8	IO	
	CRx4/CTx4	-	9	IO	
	CRx5/CTx5	F2	10	IO	
	CRx6/CTx6	E1	11	IO	
	CRx7/CTx7	G1	12	IO	
	CTx8/Vbias	C1	13	O	CTx8 pad
	CTx9/GPIO0	A1	14	IO	CTx9/GPIO0 pad
	CTx10/GPIO3	A1	15	IO	CTx10/GPIO3 pad
CTx11/GPIO4	B2	16	IO	CTx11/GPIO4 pad	
GPIO	RDY/GPIO5	C3	17	O	RDY/GPIO5 pad
	MCLR/GPIO6	A5	20	IO	Active pull-up, 200k resistor to VDD. Pulled low during POR, and MCLR function enabled by default. VPP input for OTP.
I <sup>2</sup> C	SDA/GPIO1	B4	19	IO	I <sup>2</sup> C Data
	SCL/GPIO2	A3	18	IO	I <sup>2</sup> C Clock
Power	VDD	C5	1	P	Power supply input voltage
	VREGD	E5	2	P	Internal regulated supply output for digital domain
	VSS	D4	3	P	Analog/Digital Ground
	VREGA	G5	4	P	Internal regulated supply output for analog domain

<sup>iii</sup>Pin Types: I = Input, O = Output, IO = Input or Output, P = Power





## 2.5 Reference Schematic

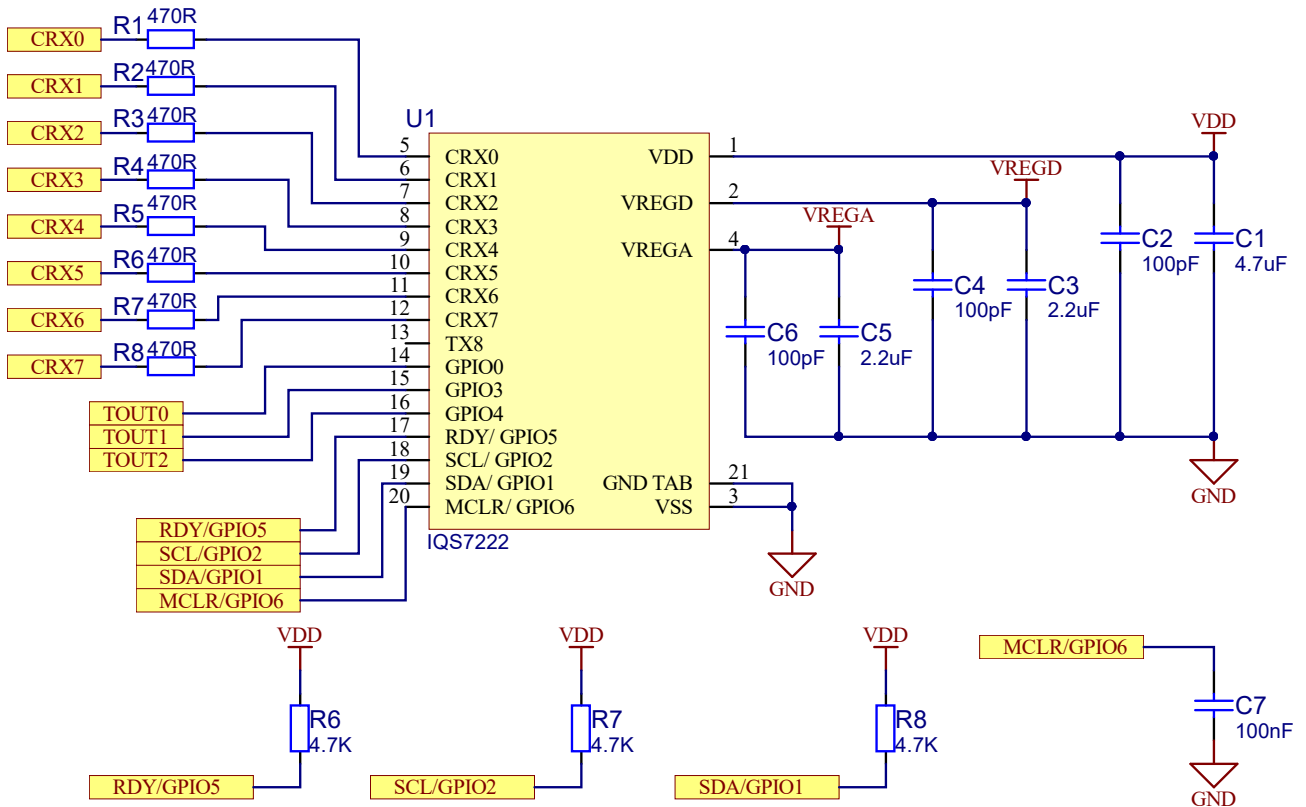


Figure 2.1: 8 Button Self Capacitance Reference Schematic

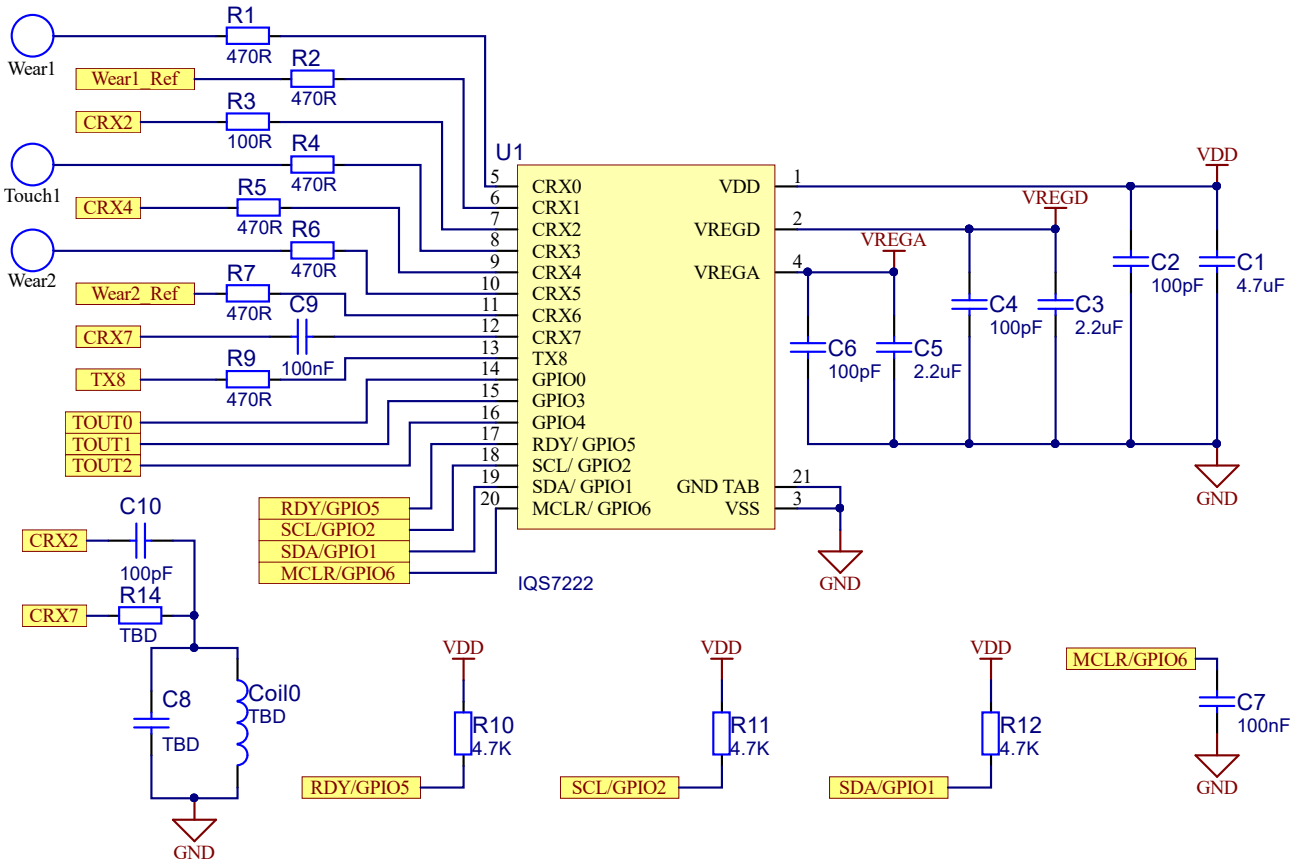


Figure 2.2: Wear, Reference and Inductive Sensing Reference Schematic

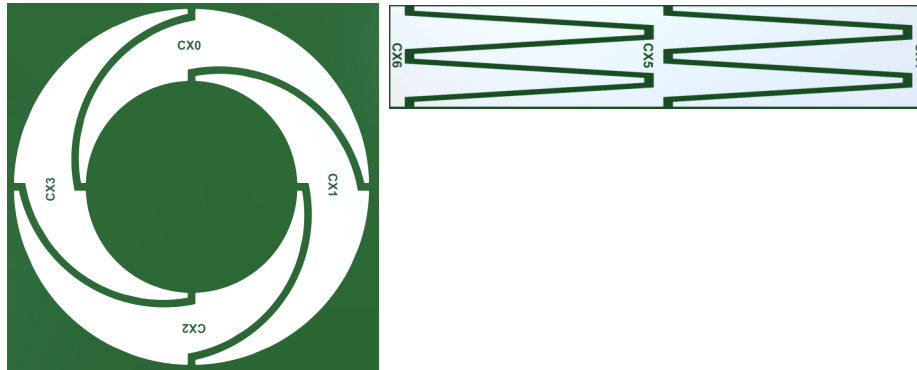
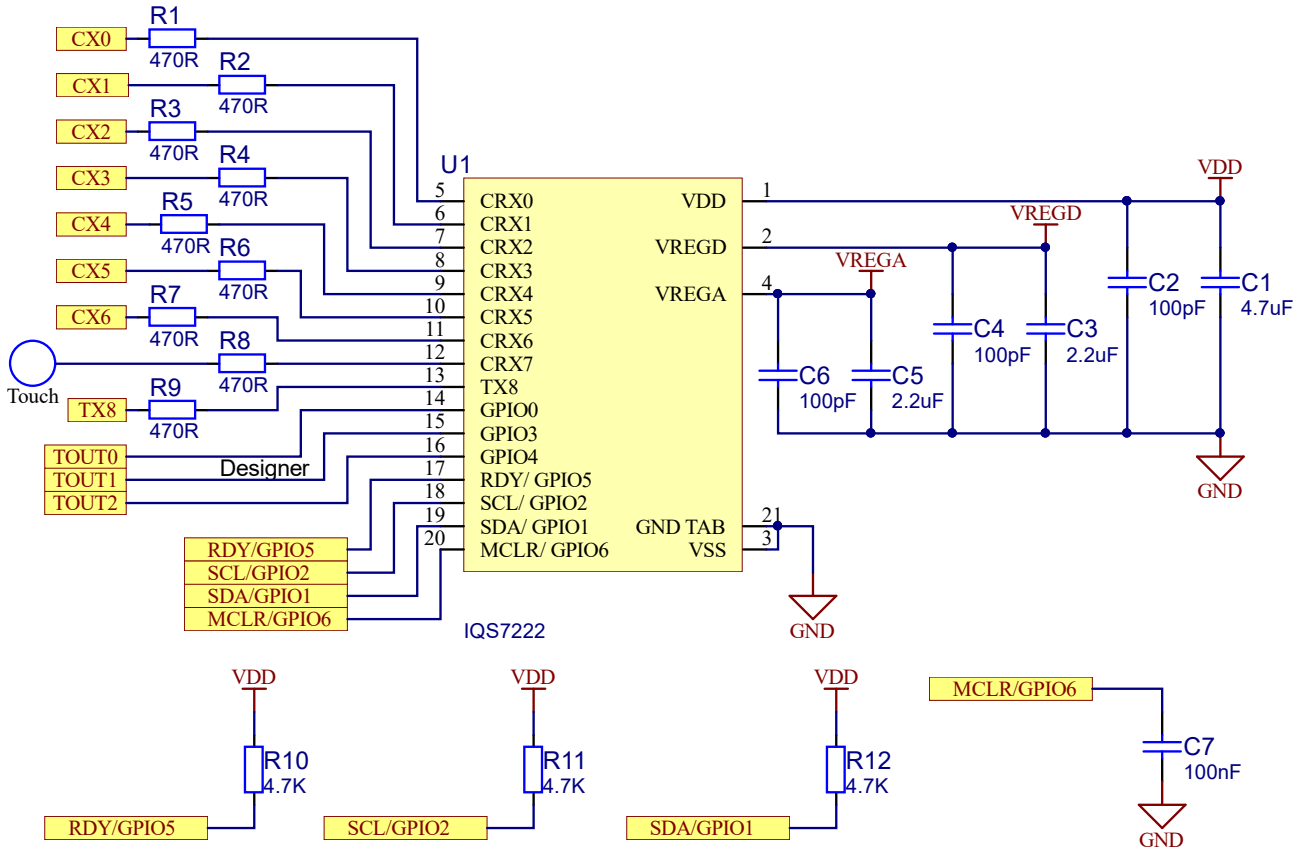
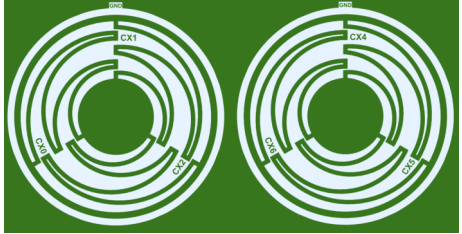
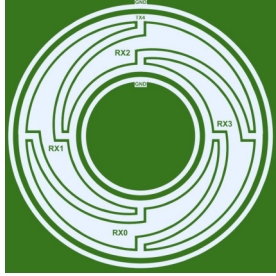


Figure 2.3: 3 Channel Slider, 4 Channel Wheel with Touch Sensor Reference Schematic<sup>iv</sup>



### 2.5.1 Possible Slider/Wheel Combinations

Example		
3 channel self-capacitive wheel	3 channel self-capacitive wheel	
4 channel mutual wheel	-	

<sup>iv</sup>Refer to section 2.5.1 for more slider/wheel combinations



### 3 Electrical Characteristics

#### 3.1 Absolute Maximum Ratings

Table 3.1: Absolute Maximum Ratings

	Min	Max	Unit
Voltage applied at VDD pin to VSS	1.71	3.5	V
Voltage applied to any ProxFusion® pin	-0.3	VREGA	V
Voltage applied to any other pin (referenced to VSS)	-0.3	VDD + 0.3 (3.5 V max)	V
Storage temperature, T <sub>stg</sub>	-40	85	°C

#### 3.2 Recommended Operating Conditions

Table 3.2: Recommended Operating Conditions

Recommended operating conditions		Min	Nom	Max	Unit
VDD	Supply voltage applied at VDD pin: F <sub>OSC</sub> = 14 MHz	1.71		3.5	V
VREGA	Internal regulated supply output for analog domain: F <sub>OSC</sub> = 14 MHz	1.49	1.53	1.57	V
VREGD	Internal regulated supply output for digital domain: F <sub>OSC</sub> = 14 MHz	1.56	1.59	1.64	V
VSS	Supply voltage applied at VSS pin		0		V
T <sub>A</sub>	Operating free-air temperature	-40	25	85	°C
C <sub>VDD</sub>	Recommended capacitor at VDD	2×C <sub>VREGA</sub>	3×C <sub>VREGA</sub>		μF
C <sub>VREGA</sub>	Recommended external buffer capacitor at VREGA, ESR ≤ 200 mΩ	2	4.7	10	μF
C <sub>VREGD</sub>	Recommended external buffer capacitor at VREGD, ESR ≤ 200 mΩ	2	4.7	10	μF
C <sub>XSELF-VSS</sub>	Maximum capacitance between ground and all external electrodes on all ProxFusion® blocks (self-capacitance mode)	1	-	400 <sup>i</sup>	pF
C <sub>mCTX-CRx</sub>	Capacitance between Receiving and Transmitting electrodes on all ProxFusion® blocks (mutual-cap mode)	0.2	-	9 <sup>i</sup>	pF
C <sub>pCRx-VSS-1M</sub>	Maximum capacitance between ground and all external electrodes on all ProxFusion® blocks (mutual-capacitance mode @ f <sub>xfer</sub> = 1 MHz)			100 <sup>i</sup>	pF
C <sub>pCRx-VSS-4M</sub>	Maximum capacitance between ground and all external electrodes on all ProxFusion® blocks (mutual-capacitance mode @ f <sub>xfer</sub> = 4 MHz sensing)			25 <sup>i</sup>	pF
$\frac{C_{pCRx-VSS}}{C_{mCTX-CRx}}$	Capacitance ratio for optimal SNR in mutual capacitance mode <sup>ii</sup>	10		20	n/a
RC <sub>XCRx/CTX</sub>	Series (in-line) resistance of all mutual capacitance pins (Tx & Rx pins) in mutual capacitance mode	0 <sup>iii</sup>	0.47	10 <sup>iv</sup>	kΩ
RC <sub>XSELF</sub>	Series (in-line) resistance of all self capacitance pins in self capacitance mode	0 <sup>iii</sup>	0.47	10 <sup>iv</sup>	kΩ



### 3.3 ESD Rating

Table 3.3: ESD Rating

		Value	Unit
$V_{(ESD)}$ Electrostatic discharge	Human-body model (HBM), per ANSI/ESDA/JEDEC JS-001 <sup>v</sup>	±4000	V

### 3.4 Current Consumption

**Mutual Inductive Mode Setup:** ATI Target = 50,  $F_{OSC}$  = 14MHz  
**Self-capacitive Mode Setup:** ATI Target = 512,  $F_{xfer}$  = 500kHz  
**Mutual capacitive Mode Setup:** ATI Target = 512,  $F_{xfer}$  = 500kHz  
**Interface Selection:** Event mode

Power mode	Active channels	Report rate (Sampling rate) [ms]	Typical Current [ $\mu$ A]	
			1.8V	3.3V
Active Mode	Mutual Inductive (2 coils)	10		156
	Self-capacitive (10 channels)	16	365	367
	Mutual Capacitive slider and buttons	16	593	596
Idle	Mutual Inductive (2 coils)	80		20
	Self-capacitive (10 channels)	60	83	82
	Mutual Capacitive slider and buttons	60	114	115
ULP	Wake-up proximity - Distributed self channel	160	6.6	6.8
	Mutual Inductive (2 coils)	200		10

<sup>i</sup> $RC_x = 0 \Omega$

<sup>ii</sup>Please note that the the maximum values for  $C_p$  and  $C_m$  are subject to this ratio

<sup>iii</sup>Nominal series resistance of  $470 \Omega$  is recommended to prevent received and emitted EMI effects. Typical resistance also adds additional ESD protection

<sup>iv</sup>Series resistance limit is a function of  $f_{xfer}$  and the circuit time constant,  $RC$ .  $R_{max} \times C_{max} = \frac{1}{(6 \times f_{xfer})}$  where  $C$  is the pin capacitance to VSS.

<sup>v</sup>JEDEC document JEP155 states that 500-V HBM allows safe manufacturing with a standard ESD control process. Pins listed as  $\pm 4000$  V may actually have higher performance.

## 4 Timing and Switching Characteristics

### 4.1 Reset Levels

Table 4.1: Reset Levels

Parameter		Min	Typ	Max	Unit
V <sub>VDD</sub>	Power-up/down level (Reset trigger) – slope > 100 V/s	1.040	1.353	1.568	V
V <sub>VREGD</sub>	Power-up/down level (Reset trigger) – slope > 100 V/s	0.945	1.122	1.304	V

### 4.2 MCLR Pin Levels and Characteristics

Table 4.2: MCLR Pin Characteristics

Parameter		Conditions	Min	Typ	Max	Unit
V <sub>IL(MCLR)</sub>	MCLR Input low level voltage	VDD = 3.3 V VDD = 1.7 V	VSS – 0.3	-	1.05	V
					0.75	
V <sub>IH(MCLR)</sub>	MCLR Input high level voltage	VDD = 3.3 V VDD = 1.7 V	2.25 1.05	-	VDD + 0.3	V
R <sub>PU(MCLR)</sub>	MCLR pull-up equivalent resistor		180	210	240	kΩ
t <sub>PULSE(MCLR)</sub>	MCLR input pulse width – no trigger	VDD = 3.3 V VDD = 1.7 V	-	-	15 10	ns
t <sub>TRIG(MCLR)</sub>	MCLR input pulse width – ensure trigger		250	-	-	ns

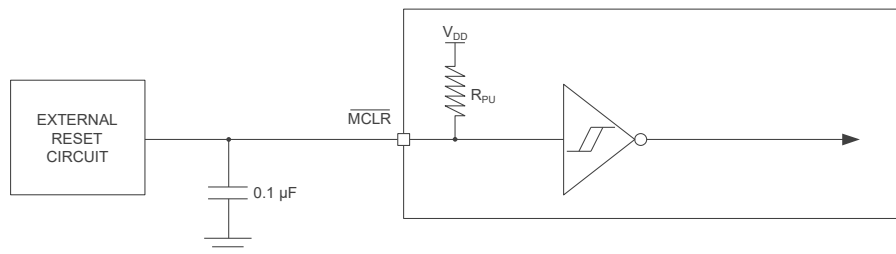


Figure 4.1: MCLR Pin Diagram

### 4.3 Miscellaneous Timings

Table 4.3: Miscellaneous Timings

Parameter		Min	Typ	Max	Unit
f <sub>xfer</sub>	Charge transfer frequency (derived from f <sub>OSC</sub> )	42	500 – 1500	3500	kHz
f <sub>OSC</sub>	Master CLK frequency tolerance 14 MHz	13.23	14	14.77	MHz



## 4.4 Digital I/O Characteristics

Table 4.4: Digital I/O Characteristics

Parameter	Test Conditions	Min	Typ	Max	Unit
V <sub>OL</sub>	SDA & SCL Output low voltage	I <sub>sink</sub> = 20 mA		0.3	V
V <sub>OL</sub>	GPIO <sup>i</sup> Output low voltage	I <sub>sink</sub> = 10 mA		0.15	V
V <sub>OH</sub>	Output high voltage	I <sub>source</sub> = 20 mA	VDD - 0.2		V
V <sub>IL</sub>	Input low voltage			VDD × 0.3	V
V <sub>IH</sub>	Input high voltage		VDD × 0.7		V
C <sub>b_max</sub>	SDA & SCL maximum bus capacitance			550	pF

## 4.5 I<sup>2</sup>C Characteristics

Table 4.5: I<sup>2</sup>C Characteristics

Parameter	VDD	Min	Typ	Max	Unit
f <sub>SCL</sub>	1.8 V, 3.3 V			1000	kHz
t <sub>HD,STA</sub>	1.8 V, 3.3 V	0.26			μs
t <sub>SU,STA</sub>	1.8 V, 3.3 V	0.26			μs
t <sub>HD,DAT</sub>	1.8 V, 3.3 V	0			ns
t <sub>SU,DAT</sub>	1.8 V, 3.3 V	50			ns
t <sub>SU,STO</sub>	1.8 V, 3.3 V	0.26			μs
t <sub>SP</sub>	1.8 V, 3.3 V	0		50	ns

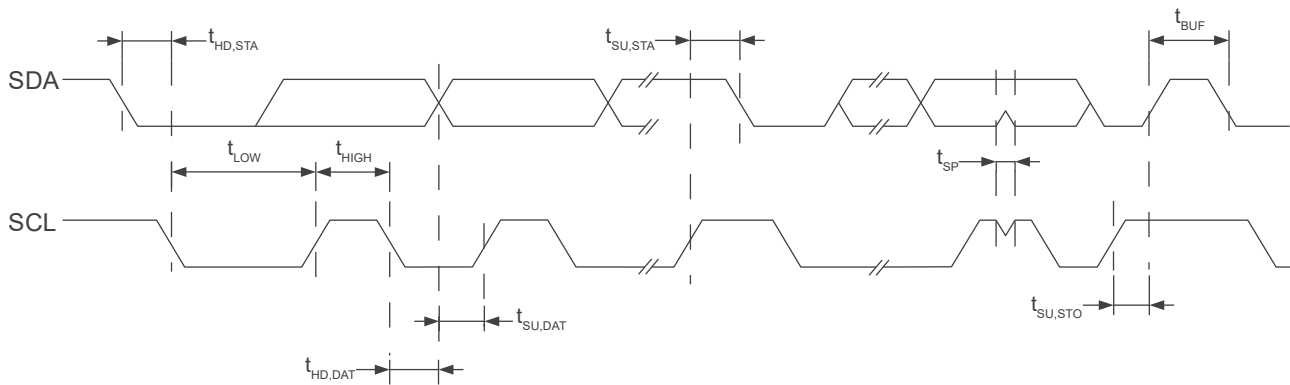


Figure 4.2: I<sup>2</sup>C Mode Timing Diagram

<sup>i</sup>Refers to CTx9, CTx10, CTx11, and RDY pins





## 5 ProxFusion® Module

The IQS7222C contains dual ProxFusion® modules that uses patented technology to measure and process the sensor data. Two modules ensure a rapid response from multi-channel implementations. The multiple touch, proximity and weighted average (slider&wheel) outputs are the primary output from the sensor.

### 5.1 Channel Options

Self-capacitance, Mutual capacitance, Reference tracking and Inductive designs are possible with the IQS7222C.

- > Sensor pad design overview: AZD008
- > Mutual capacitive button layout guide: AZD036
- > Inductive design layout guide: AZD115

### 5.2 Low Power Options

The IQS7222C offers 3 power modes:

- > Normal power mode (NP)
  - Flexible key scan rate
- > Lower power mode (LP)
  - Flexible key scan rate
  - Typically set to a slower rate than NP
- > Ultra-low power mode (ULP)
  - Optimized firmware setup
  - Intended for rapid wake-up on a single channel (e.g. distributed proximity event), enabling immediate button response for an approaching user
  - Other sensor channels are typically sampled at a slower rate in order to optimize power consumption

### 5.3 Count Value

The sensing measurement returns a *count value* for each channel. Count values are inversely proportional to capacitance/inductance, and all outputs are derived from this.

#### 5.3.1 Max Count

Each channel is limited to having a count value smaller than the configurable limit (*Maximum counts*). If the ATI setting or hardware causes measured count values higher than this, the conversion will be stopped, and the max value will be read for that relevant count value.

### 5.4 Reference Value/Long-Term Average (LTA)

User interaction is detected by comparing the measured count values to some reference value. The reference value/LTA of a sensor is slowly updated to track changes in the environment and is not updated during user interaction.



### 5.4.1 Reseed

Since the *Reference* for a channel is critical for the device to operate correctly, there could be known events or situations which would call for a manual reseed. A reseed takes the latest measured counts, and seeds the *reference/LTA* with this value, therefore updating the value to the latest environment. A reseed command can be given by setting the corresponding bit (Register 0xD0, bit3).

## 5.5 Automatic Tuning Implementation (ATI)

The ATI is a sophisticated technology implemented in the new ProxFusion® devices to allow optimal performance of the devices for a wide range of sensing electrode capacitances and inductance, without modification to external components. The ATI settings allow tuning of various parameters. For a detailed description of ATI, please contact Azoteq.

## 5.6 Automatic Re-ATI

### 5.6.1 Description

Re-ATI will be triggered if certain conditions are met. One of the most important features of the Re-ATI is that it allows easy and fast recovery from an incorrect ATI, such as when performing ATI during user interaction with the sensor. This could cause the wrong ATI Compensation to be configured, since the user affects the capacitance of the sensor. A Re-ATI would correct this. It is recommended to always have this enabled. When a Re-ATI is performed on the IQS7222C, a status bit will set momentarily to indicate that this has occurred.

### 5.6.2 Conditions for Re-ATI to activate

A Re-ATI is performed when the reference of a channel drifts outside of the acceptable range around the ATI Target. The boundaries where Re-ATI occurs for the channels are adjustable in registers listed in Table A.15.

$$\text{Re-ATI Boundary}_{\text{default}} = \text{ATI target} \pm \left(\frac{1}{8}\text{ATI Target}\right)$$

For example, assume that the ATI target is configured to 800 and that the and the default boundary value is  $\frac{1}{8} \times 800 = 100$ . If Re-ATI is enabled, the ATI algorithm will be repeated under the following conditions:

$$\text{Reference} > 900 \text{ or } \text{Reference} < 700$$

The ATI algorithm executes in a short time, so goes unnoticed by the user.

### 5.6.3 ATI Error

After the ATI algorithm is performed, a check is done to see if there was any error with the algorithm. An ATI error is reported if one of the following is true for any channel after the ATI has completed:

- > ATI Compensation = 0 (min value)
- > ATI Compensation  $\geq$  1023 (max value)
- > Count is already outside the Re-ATI range upon completion of the ATI algorithm

If any of these conditions are met, the corresponding error flag will be set (*ATI Error*). The flag status is only updated again when a new ATI algorithm is performed.



**Re-ATI will not be repeated immediately if an ATI Error occurs.** A configurable time (*ATI error timeout*) will pass where the Re-ATI is momentarily suppressed. This is to prevent the Re-ATI repeating indefinitely. An ATI error should however not occur under normal circumstances.



## 6 Sensing Modes

### 6.1 Mode Timeout

In order to optimize power consumption and performance, power modes are "stepped" by default in order to move to power efficient modes when no interaction has been detected for a certain (configurable) time known as the "mode timeout". The value for the power mode to never timeout (i.e. the current power mode will never progress to a lower power mode), is 0x00.

### 6.2 Count Filter

#### 6.2.1 IIR Filter

The IIR filter applied to the digitized raw input offers various damping options as defined in Table A.22 and Table A.23

$$\text{Damping factor} = \text{Beta}/256$$



## 7 Hardware Settings

Settings specific to hardware and the ProxFusion® Module charge transfer characteristics can be changed.

*Below, some are described, the other hardware parameters are not discussed as they should only be adjusted under guidance of Azoteq support engineers.*

### 7.1 Charge Transfer Frequency

The charge transfer frequency ( $f_{xfer}$ ) can be configured using the product GUI, and the relative parameters (*Charge Transfer frequency*) will be provided. For high resistance sensors, it might be needed to decrease  $f_{xfer}$ .

### 7.2 Reset

#### 7.2.1 Reset Indication

After a reset, the *Reset* bit will be set by the system to indicate the reset event occurred. This bit will clear when the master sets the *Ack Reset*, if it becomes set again, the master will know a reset has occurred, and can react appropriately.

While *Reset* bit remains set:

- > The device will not be able to enter into I<sup>2</sup>C Event mode operation (i.e. streaming communication behavior will be maintained until the Reset bit is cleared)
- > During the period of ATI execution, the device will provide communication windows continuously during the ATI process, resulting in much longer time to finish the ATI routine.

#### 7.2.2 Software Reset

The IQS7222C can be reset by means of an I<sup>2</sup>C command (*Soft Reset*).



## 8 Additional Features

### 8.1 Setup Defaults

The supplied GUI can be utilised to configure the optimal settings. The design specific settings are exported and can be written to the device by the master after every power-on reset.

### 8.2 Automated Start-up

The device is programmed with the application firmware, bundled with settings specifically configured for the current hardware as described in Section 8.1. After power-up the device will automatically use the settings and perform the configuration/setup accordingly.

### 8.3 Watchdog Timer (WDT)

A software watchdog timer is implemented to improve system reliability.

The working of this timer is as follows:

- > A software timer  $t_{WDT}$  is linked to the LFTMR (Low frequency timer) running on the "always on" Low Frequency Oscillator (10 kHz).
- > This timer is reset at a strategic point in the main loop.
- > Failing to reset this timer will cause the appropriate ISR (interrupt service routine) to run.
- > This ISR performs a software triggered POR (Power on Reset).
- > The device will reset, performing a full cold boot.

### 8.4 RF Immunity

The IQS7222C has immunity to high power RF noise. To improve the RF immunity, extra decoupling capacitors are suggested on  $V_{REG}$  and  $V_{DD}$ .

Place a 100pF in parallel with the 2.2 $\mu$ F ceramic on  $V_{REG}$ . Place a 4.7 $\mu$ F ceramic on  $V_{DD}$ . All decoupling capacitors should be placed as close as possible to the  $V_{DD}$  and  $V_{REG}$  pads.

If needed, series resistors can be added to Rx electrodes to reduce RF coupling into the sending pads. Normally these are in the range of 470 $\Omega$ -1k $\Omega$ . PCB ground planes also improve noise immunity.



## 9 I<sup>2</sup>C Interface

### 9.1 I<sup>2</sup>C Module Specification

The device supports a standard two wire I<sup>2</sup>C interface with the addition of an RDY (ready interrupt) line. The communications interface of the IQS7222C supports the following:

- > *Fast-mode-plus* standard I<sup>2</sup>C up to 1MHz.
- > Streaming data as well as event mode.
- > The provided interrupt line (RDY) is an open-drain active low implementation and indicates a communication window.

The IQS7222C implements 8-bit addressing with 2 data bytes at each address with the exception of extended addresses, which implement 16-bit addressing with 2 bytes at each address. Two consecutive read/writes are required in this memory map structure. The two bytes at each address will be referred to as "byte 0" (least significant byte) and "byte 1" (most significant byte).

### 9.2 I<sup>2</sup>C Address

The default 7-bit device address is 0x44 ('01000100'). The full address byte will thus be 0x89 (read) or 0x88 (write).

Other address options exist on special request. Please contact Azoteq.

### 9.3 I<sup>3</sup>C Compatibility

This device is not compatible with an I<sup>3</sup>C bus due to clock stretching allowed for data retrieval.

### 9.4 Memory Map Addressing

#### 9.4.1 8-bit Address

Most of the memory map implements an 8-bit addressing scheme for the required user data. Extended memory map addresses implement 16-bit addressing scheme.

#### 9.4.2 Extended 16-bit Address

For development purposes, larger blocks of data are found in an extended 16-bit memory addressable location. It is possible to only address each Block as an 8-bit address, and then continue to clock into the next address locations. For example, if the procedure depicted below is followed, you will read the values from the hypothetical address 0xE000 to 0XE300:

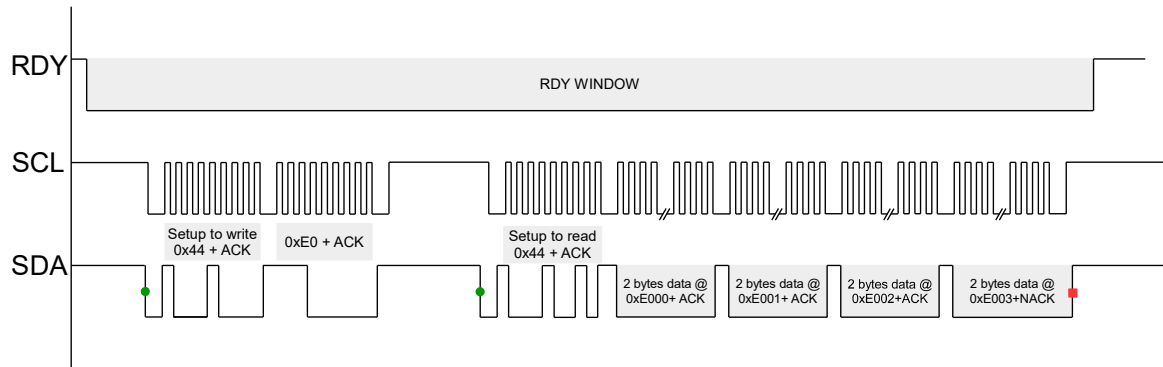


Figure 9.1: Extended 16-bit Addressing for Continuous Block

However, if you need to address a specific byte in that extended memory map space, then you will need to address using the full 16-bit address (note the 16-bit address is high byte first, unlike the data which is low byte first):

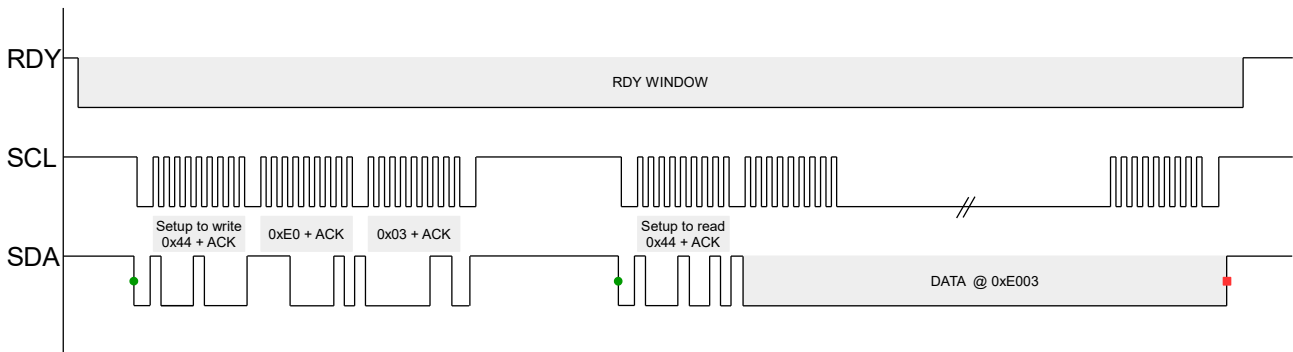


Figure 9.2: Extended 16-bit Addressing for a Specific Register

## 9.5 Data

The data is 16-bit words, meaning that each address obtains 2 bytes of data. For example, address 0x10 will provide two bytes, then the next two bytes read will be from address 0x11.

The 16-bit data is sent in little endian byte order (least significant byte first).

The h file generated by the GUI will display the start address of each block of data, with each address containing 2 bytes. The data of all the addresses can be written consecutively -in a single block of data or the entire memory map, (refer to figure 9.1), or data can be written explicitly to a specific address (refer to figure 9.2). An example of the h file exported by the GUI and the order of the data, is shown in figure 9.3 below.

```

/* Change the Sensor 0 Settings */
/* Memory Map Position 0x30 - 0x39 */
#define SENSOR_0_SETUP_0          0x01  →  LSB
#define SENSOR_0_SETUP_1          0x07  →  MSB

```

Figure 9.3: Example of an H file Exported by the GUI



## 9.6 I<sup>2</sup>C Timeout

If the communication window is not serviced within the *I<sup>2</sup>C timeout* period (in milliseconds), the session is ended (RDY goes HIGH), and processing continues as normal. This allows the system to continue and keep reference values up to date even if the master is not responsive, however the corresponding data was missed/lost, and this should be avoided. The default I<sup>2</sup>C timeout period is set to 500ms and can be adjusted in register 0xDC.

## 9.7 Terminate Communication

A standard I<sup>2</sup>C STOP ends the current communication window.

If the stop bit disable (bit 0 register 0xDA) is set, the device will not respond to a standard I<sup>2</sup>C STOP. The communication window must be terminated using the end communications command (0xFF).

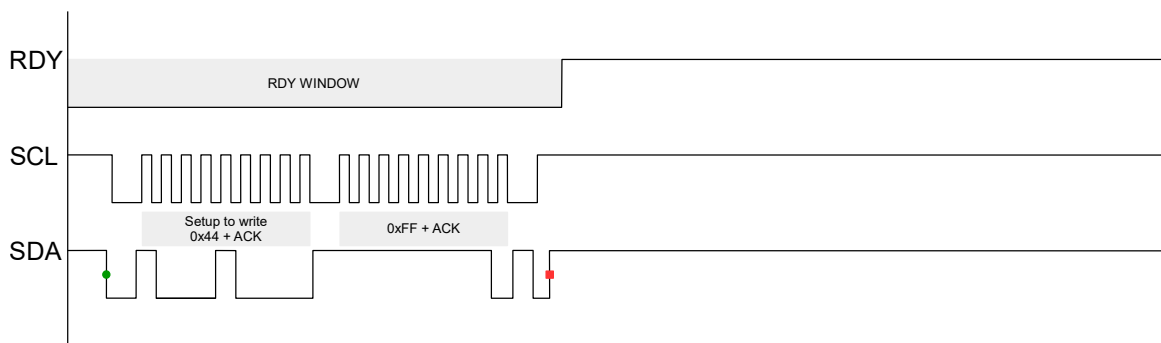


Figure 9.4: Force Stop Communication Sequence

## 9.8 RDY/IRQ

The communication has an open-drain active-LOW RDY signal to inform the master that updated data is available. It is optimal for the master to use this as an interrupt input and obtain the data accordingly. It is also useful to allow the master MCU to enter low-power/sleep allowing wake-up from the touch device when user presence is detected. It is recommended that the RDY be placed on an interrupt-on-pin-change input on the master.

## 9.9 Invalid Communications Return

The device will give an invalid communication response (0xEE) under the following conditions:

- > The host is trying to read from a memory map register that does not exist.
- > The host is trying to read from the device outside of a communication window (i.e. while RDY = high)

## 9.10 I<sup>2</sup>C Interface

The IQS7222C has 3 *I<sup>2</sup>C interface options*, as described in the sections below.

### 9.10.1 I<sup>2</sup>C Streaming

I<sup>2</sup>C Streaming mode refers to constant data reporting at the relevant power mode report rate specified in register 0xD4 (normal power), register 0xD6 (low power) and register 0xD8 (ultra low power) respectively.



### 9.10.2 I<sup>2</sup>C Event Mode

The device can be set up to bypass the communication window when no activity is sensed (EVENT MODE). This is usually enabled since the master does not want to be interrupted unnecessarily during every cycle if no activity occurred. The communication will resume (RDY will indicate available data) if an enabled event occurs.

### 9.10.3 I<sup>2</sup>C Stream in Touch Mode

Stream in touch is a hybrid I<sup>2</sup>C mode between streaming mode and event mode. The device follows event mode I<sup>2</sup>C protocol but when a touch is registered on any channel, the device enters streaming mode until the touch is released.

The hybrid I<sup>2</sup>C interface is specifically aimed at the use of sliders where data needs to be received and processed for the duration of a touch.

## 9.11 Event Mode Communication

Event mode can only be entered if the following requirements are met:

- > Reset bit must be cleared by acknowledging the device reset condition occurrence through writing Ack Reset bit to clear the System status flag.
- > Events must be serviced by reading from the Events register 0x11 to ensure all events flags are cleared otherwise continuous reporting (RDY interrupts) will persist after every conversion cycle similar to streaming mode

### 9.11.1 Events

Numerous events can be individually enabled to trigger communication, bit definitions can be found in Table A.3 and Table A.2:

- > Power mode change
- > Prox or touch event
- > ATI error
- > ATI active
- > ATI Event

### 9.11.2 Force Communication

In streaming mode, the IQS7222C I<sup>2</sup>C will provide Ready (RDY) windows at intervals specified in the power mode report rate . Ideally, communication with the IQS7222C should only be initiated in a Ready window but a communication request described in figure 9.5 below, will force a Ready window to open. In event mode Ready windows are only provided when an event is reported and a Ready window must be requested to write or read settings outside of this window. The minimum and maximum time between the communication request and the opening of a RDY window ( $t_{wait}$ ), is application specific, but the average values are  $0.1\text{ms} \leq t_{wait} \leq 45\text{ms}$ <sup>i</sup>.

The communication request sequence is shown in figure 9.5 below.

<sup>i</sup>Please contact Azoteq for an application specific value of  $t_{wait}$

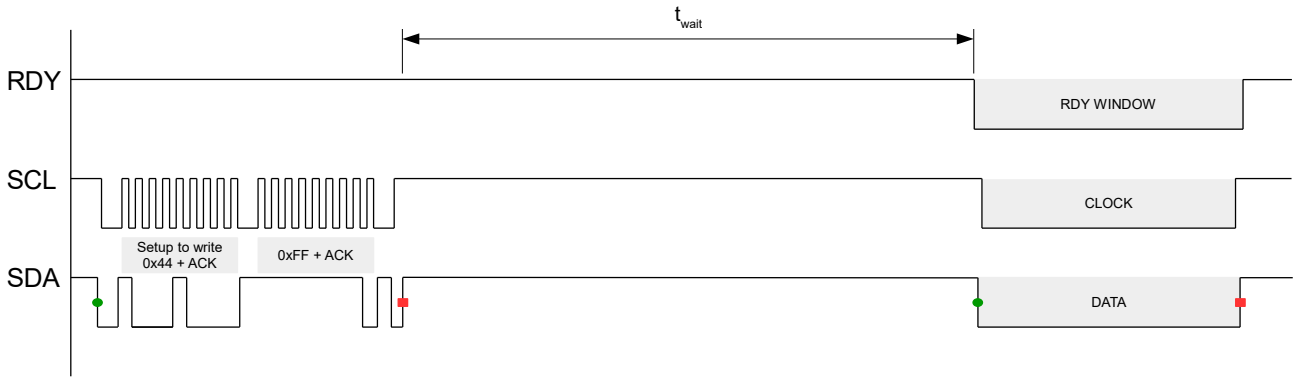


Figure 9.5: Force Communication Sequence

## 9.12 Program Flow Diagram

The program flow for event mode communication is shown in 9.6

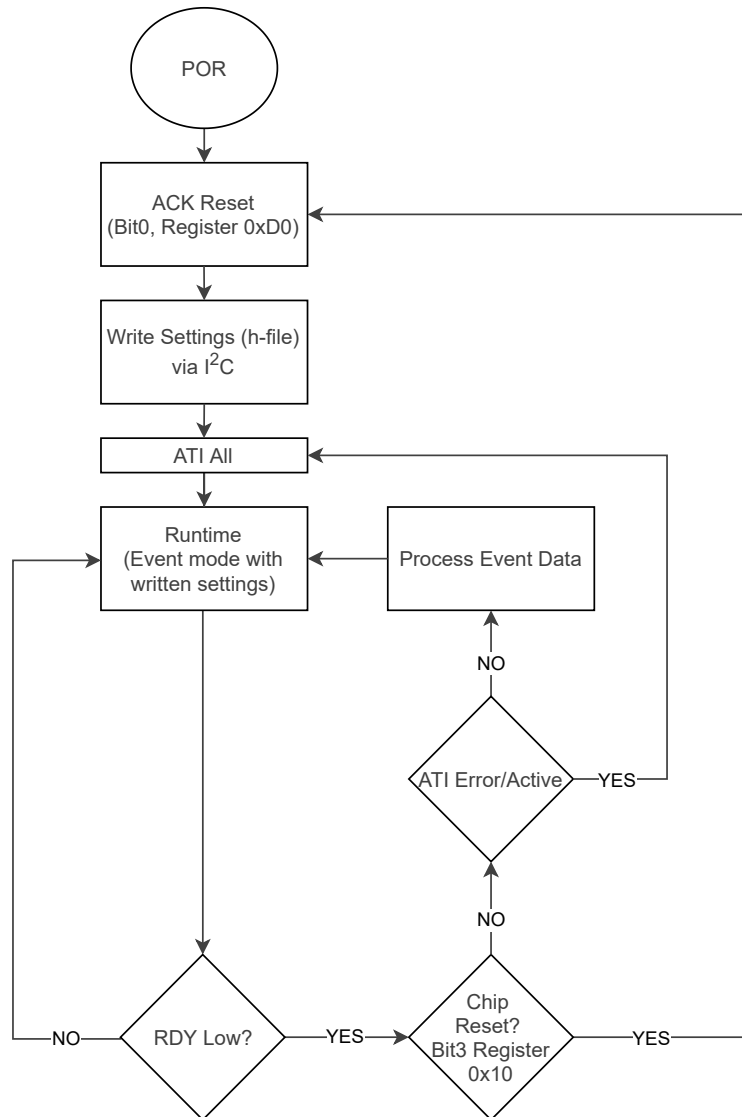


Figure 9.6: Program Flow Diagram



## 10 I<sup>2</sup>C Memory Map - Register Descriptions

See Appendix A for a more detailed description of registers and bit definitions

Address	Data (16bit)	Notes
0x00 - 0x09	Version details	See Table A.1
<b>Read Only</b>		
0x10	System Status	See Table A.2
0x11	Events	See Table A.3
0x12	Prox event States	See Table A.4
0x13	Touch event States	See Table A.5
0x14	Slider/Wheel 0 Output	16-bit value
0x15	Slider/Wheel 1 Output	
<b>Read Only Channel Counts</b>		
0x20	Channel 0 Counts	16-bit value
0x21	Channel 1 Counts	
0x22	Channel 2 Counts	
0x23	Channel 3 Counts	
0x24	Channel 4 Counts	
0x25	Channel 5 Counts	
0x26	Channel 6 Counts	
0x27	Channel 7 Counts	
0x28	Channel 8 Counts	
0x29	Channel 9 Counts	
<b>Read Only Channel LTA</b>		
0x30	Channel 0 LTA	16-bit value
0x31	Channel 1 LTA	
0x32	Channel 2 LTA	
0x33	Channel 3 LTA	
0x34	Channel 4 LTA	
0x35	Channel 5 LTA	
0x36	Channel 6 LTA	
0x37	Channel 7 LTA	
0x38	Channel 8 LTA	
0x39	Channel 9 LTA	
<b>Read-Write Cycle Setup</b>		
0x8000	Cycle Setup 0	See Table A.6
0x8001		See Table A.7
0x8002		See Table A.8
0x8100	Cycle Setup 1	See Table A.6
0x8101		See Table A.7
0x8102		See Table A.8
0x8200	Cycle Setup 2	See Table A.6
0x8201		See Table A.7
0x8202		See Table A.8
0x8300	Cycle Setup 3	See Table A.6
0x8301		See Table A.7
0x8302		See Table A.8
0x8400	Cycle Setup 4	See Table A.6
0x8401		See Table A.7
0x8402		See Table A.8
0x8500	Global Cycle Setup	See Table A.9
0x8501	Coarse and Fine Divider Preloads	See Table A.10



0x8502	Compensation Preload	See Table A.11
<b>Read-Write</b>	<b>Button Setup - Thresholds, Hysteresis and Debounce</b>	
0x9000	Button Setup 0	See Table A.12
0x9001		See Table A.13
0x9002		See Table A.14
0x9100	Button Setup 1	See Table A.12
0x9101		See Table A.13
0x9102		See Table A.14
0x9200	Button Setup 2	See Table A.12
0x9201		See Table A.13
0x9202		See Table A.14
0x9300	Button Setup 3	See Table A.12
0x9301		See Table A.13
0x9302		See Table A.14
0x9400	Button Setup 4	See Table A.12
0x9401		See Table A.13
0x9402		See Table A.14
0x9500	Button Setup 5	See Table A.12
0x9501		See Table A.13
0x9502		See Table A.14
0x9600	Button Setup 6	See Table A.12
0x9601		See Table A.13
0x9602		See Table A.14
0x9700	Button Setup 7	See Table A.12
0x9701		See Table A.13
0x9702		See Table A.14
0x9800	Button Setup 8	See Table A.12
0x9801		See Table A.13
0x9802		See Table A.14
0x9900	Button Setup 9	See Table A.12
0x9901		See Table A.13
0x9902		See Table A.14
<b>Read-Write</b>	<b>Channel Setup- ATI Parameters, Reference Channel and Rx Select</b>	
	<b>Channel 0</b>	
0xA000	CRX Select and General Channel Setup	See Table A.15
0xA001	ATI Base and Target	See Table A.17
0xA002	Fine and Coarse Multipliers	See Table A.18
0xA003	ATI Compensation	See Table A.19
0xA004	Reference Channel Settings 0	See Table A.20
0xA005	Reference Channel Settings 1	See Table A.21
	<b>Channel 1</b>	
0xA100	CRX Select and General Channel Setup	See Table A.15
0xA101	ATI Base and Target	See Table A.17
0xA102	Fine and Coarse Multipliers	See Table A.18
0xA103	ATI Compensation	See Table A.19
0xA104	Reference Channel Settings 0	See Table A.20
0xA105	Reference Channel Settings 1	See Table A.21
	<b>Channel 2</b>	
0xA200	CRX Select and General Channel Setup	See Table A.15
0xA201	ATI Base and Target	See Table A.17
0xA202	Fine and Coarse Multipliers	See Table A.18



0xA203	ATI Compensation	See Table A.19
0xA204	Reference Channel Settings 0	See Table A.20
0xA205	Reference Channel Settings 1	See Table A.21
Channel 3		
0xA300	CRX Select and General Channel Setup	See Table A.15
0xA301	ATI Base and Target	See Table A.17
0xA302	Fine and Coarse Multipliers	See Table A.18
0xA303	ATI Compensation	See Table A.19
0xA304	Reference Channel Settings 0	See Table A.20
0xA305	Reference Channel Settings 1	See Table A.21
Channel 4		
0xA400	CRX Select and General Channel Setup	See Table A.15
0xA401	ATI Base and Target	See Table A.17
0xA402	Fine and Coarse Multipliers	See Table A.18
0xA403	ATI Compensation	See Table A.19
0xA404	Reference Channel Settings 0	See Table A.20
0xA405	Reference Channel Settings 1	See Table A.21
Channel 5		
0xA500	CRX Select and General Channel Setup	See Table A.16
0xA501	ATI Base and Target	See Table A.17
0xA502	Fine and Coarse Multipliers	See Table A.18
0xA503	ATI Compensation	See Table A.19
0xA504	Reference Channel Settings 0	See Table A.20
0xA505	Reference Channel Settings 1	See Table A.21
Channel 6		
0xA600	CRX Select and General Channel Setup	See Table A.16
0xA601	ATI Base and Target	See Table A.17
0xA602	Fine and Coarse Multipliers	See Table A.18
0xA603	ATI Compensation	See Table A.19
0xA604	Reference Channel Settings 0	See Table A.20
0xA605	Reference Channel Settings 1	See Table A.21
Channel 7		
0xA700	CRX Select and General Channel Setup	See Table A.16
0xA701	ATI Base and Target	See Table A.17
0xA702	Fine and Coarse Multipliers	See Table A.18
0xA703	ATI Compensation	See Table A.19
0xA704	Reference Channel Settings 0	See Table A.20
0xA705	Reference Channel Settings 1	See Table A.21
Channel 8		
0xA800	CRX Select and General Channel Setup	See Table A.16
0xA801	ATI Base and Target	See Table A.17
0xA802	Fine and Coarse Multipliers	See Table A.18
0xA803	ATI Compensation	See Table A.19
0xA804	Reference Channel Settings 0	See Table A.20
0xA805	Reference Channel Settings 1	See Table A.21
Channel 9		
0xA900	CRX Select and General Channel Setup	See Table A.16
0xA901	ATI Base and Target	See Table A.17
0xA902	Fine and Coarse Multipliers	See Table A.18
0xA903	ATI Compensation	See Table A.19
0xA904	Reference Channel Settings 0	See Table A.20



0xA905	Reference Channel Settings 1	See Table A.21
<b>Read-Write</b>	<b>Filter Betas</b>	
0xAA00	Filter Beta	See Table A.22
0xAA01	Fast Filter Beta	See Table A.23
<b>Read-Write</b>	<b>Slider 0 Setup</b>	
0xB000	Slider 0 General Setup	See Table A.24
0xB001	Calibration and Bottom Speed	See Table A.25
0xB002	Top Speed	16-bit value
0xB003	Resolution	
0xB004	Enable Mask	See Table A.26
0xB005	Enable Status Link	See Table A.27
0xB006	Delta link 0	See Table A.28
0xB007	Delta Link 1	See Table A.28
0xB008	Delta Link 2	See Table A.28
0xB009	Delta Link 3	See Table A.28
<b>Read-Write</b>	<b>Slider 1 Setup</b>	
0xB100	Slider 1 General Setup	See Table A.24
0xB101	Calibration and Bottom Speed	See Table A.25
0xB102	Top Speed	16-bit value
0xB103	Resolution	
0xB104	Enable Mask	See Table A.26
0xB105	Enable Status Link	See Table A.27
0xB106	Delta link 0	See Table A.28
0xB107	Delta Link 1	See Table A.28
0xB108	Delta Link 2	See Table A.28
0xB109	Delta Link 3	See Table A.28
<b>Read-Write</b>	<b>GPIO Settings</b>	
0xC000	Output 0 Enable and Configuration Settings	See Table A.29
0xC001	Output 0 Mask	See Table A.30
0xC002	Output 0 Enable Status Link	See Table A.31
0xC100	Output 1 Enable and Configuration Settings	See Table A.29
0xC101	Output 1 Mask	See Table A.30
0xC102	Output 1 Enable Status Link	See Table A.31
0xC200	Output 2 Enable and Configuration Settings	See Table A.29
0xC201	Output 2 Mask	See Table A.30
0xC202	Output 2 Enable Status Link	See Table A.31
<b>Read-Write</b>	<b>PMU and System Settings</b>	
0xD0	Control settings	See Table A.32
0xD1	ATI Error Timeout	16-bit value * 0.5 (s)
0xD2	ATI Report Rate	16-bit value (ms)
0xD3	Normal Power Mode Timeout	16-bit value (ms)
0xD4	Normal Power Mode Report Rate	16-bit value (ms) Range: 0 - 3000
0xD5	Low Power Mode Timeout	16-bit value (ms)
0xD6	Low Power Mode Report Rate	16-bit value (ms) Range: 0 - 3000
0xD7	Normal Power Update rate in Ultra-low Power Mode	16-bit value (ms)
0xD8	Ultra-low Power Mode Report Rate	16-bit value (ms) Range: 0 - 3000
0xD9	Event Enable	See Table A.33
0xDA	I <sup>2</sup> C Communication	See Table A.34



---

0xDB	GPIO Override	See Table A.35
0xDC	Communication Timeout	See Table A.36

---





## 11 Implementation and Layout

### 11.1 Layout Fundamentals

#### NOTE

Information in the following Applications section is not part of the Azoteq component specification, and Azoteq does not warrant its accuracy or completeness. Azoteq's customers are responsible for determining suitability of components for their purposes. Customers should validate and test their design implementation to confirm system functionality.

#### 11.1.1 Power Supply Decoupling

Azoteq recommends connecting a combination of a 4.7  $\mu\text{F}$  plus a 100 pF low-ESR ceramic decoupling capacitor between the VDD and VSS pins. Higher-value capacitors may be used but can impact supply rail ramp-up time. Decoupling capacitors must be placed as close as possible to the pins that they decouple (within a few millimetres).

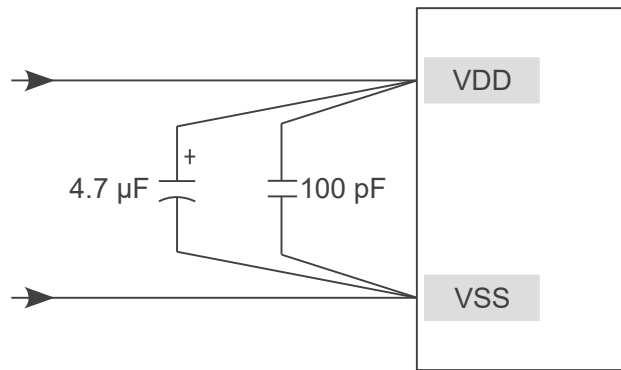


Figure 11.1: Recommended Power Supply Decoupling

#### 11.1.2 VREG

The VREG pin requires a 2.2  $\mu\text{F}$  capacitor to regulate the LDO internal to the device. This capacitor must be placed as close as possible to the microcontroller. The figure below shows an example layout where the capacitor is placed close to the IC.

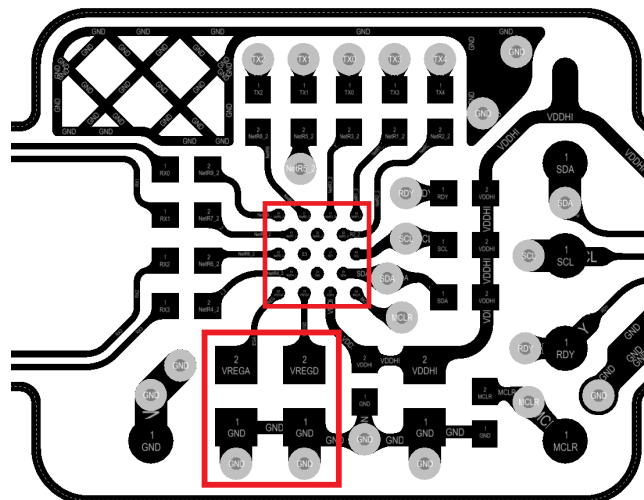


Figure 11.2: VREG Capacitor Placement Close to IC



### 11.1.3 WLCSP Light Sensitivity

The CSP package is sensitive to infrared light. When the silicon IC is subject to the photo-electric effect, an increase in leakage current is experienced. Due to the low power consumption of the IC this causes a change in signal and is common in the semiconductor industry with CSP devices.

If the IC could be exposed to IR in the product, then a dark glob-top epoxy material should cover the complete package to block infrared light. It is important to use sufficient material to completely cover the corners of the package. The glob-top also provides further advantages such as mechanical strength and shock absorption.



## 12 Ordering Information

### 12.1 Ordering Code

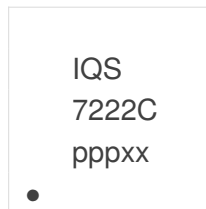
IQS7222C      zzz      ppb

<b>IC NAME</b>	IQS7222C	=	IQS7222C	
			001	Reserved
			101	8 button self capacitance startup, configurable via I <sup>2</sup> C.
<b>POWER-ON CONFIGURATION</b>	zzz	=	102	8 button self capacitance startup, configurable via I <sup>2</sup> C. I <sup>2</sup> C address = 0x45
			CS	WLCSP-18 package
<b>PACKAGE TYPE</b>	pp	=	QN	QFN-20 package
				WLCSP-18 Reel (3000pcs/reel)
<b>BULK PACKAGING</b>	b	=	R	QFN-20 Reel (2000pcs/reel)

*Figure 12.1: Order Code Description*

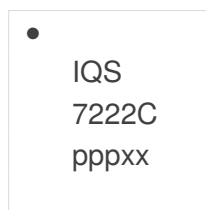
## 12.2 Top Marking

### 12.2.1 WLCSP18 Package



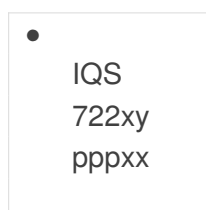
Product Name  
ppp = product code  
xx = batchcode

### 12.2.2 QFN20 Package Marking Option 1



Product Name  
ppp = product code  
xx = batchcode

### 12.2.3 QFN20 Package Marking Option 2



Product Name  
ppp = product code  
xx = batchcode



### 13 Package Specification

#### 13.1 Package Outline Description – QFN20

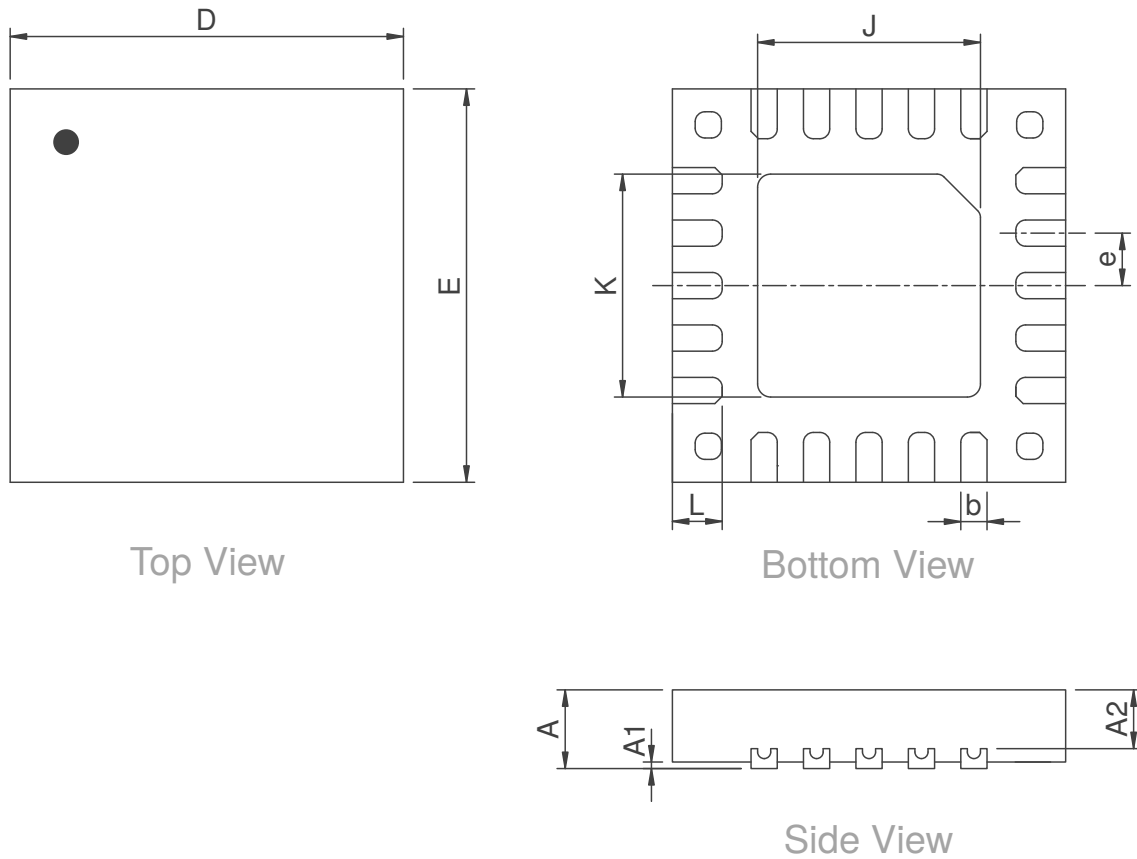


Figure 13.1: QFN (3x3)-20 Package Outline Visual Description

Table 13.1: QFN (3x3)-20 Package Outline Visual Description

Dimension	[mm]	Dimension	[mm]
A	0.55 ± 0.05	E	3
A1	0.035 ± 0.05	e	0.4
A2	0.3	J	1.7 ± 0.1
A3	0.203	K	1.7 ± 0.1
b	0.2 ± 0.05	L	0.4 ± 0.05
D	3		



### 13.2 Package Outline Description – WLCSP18

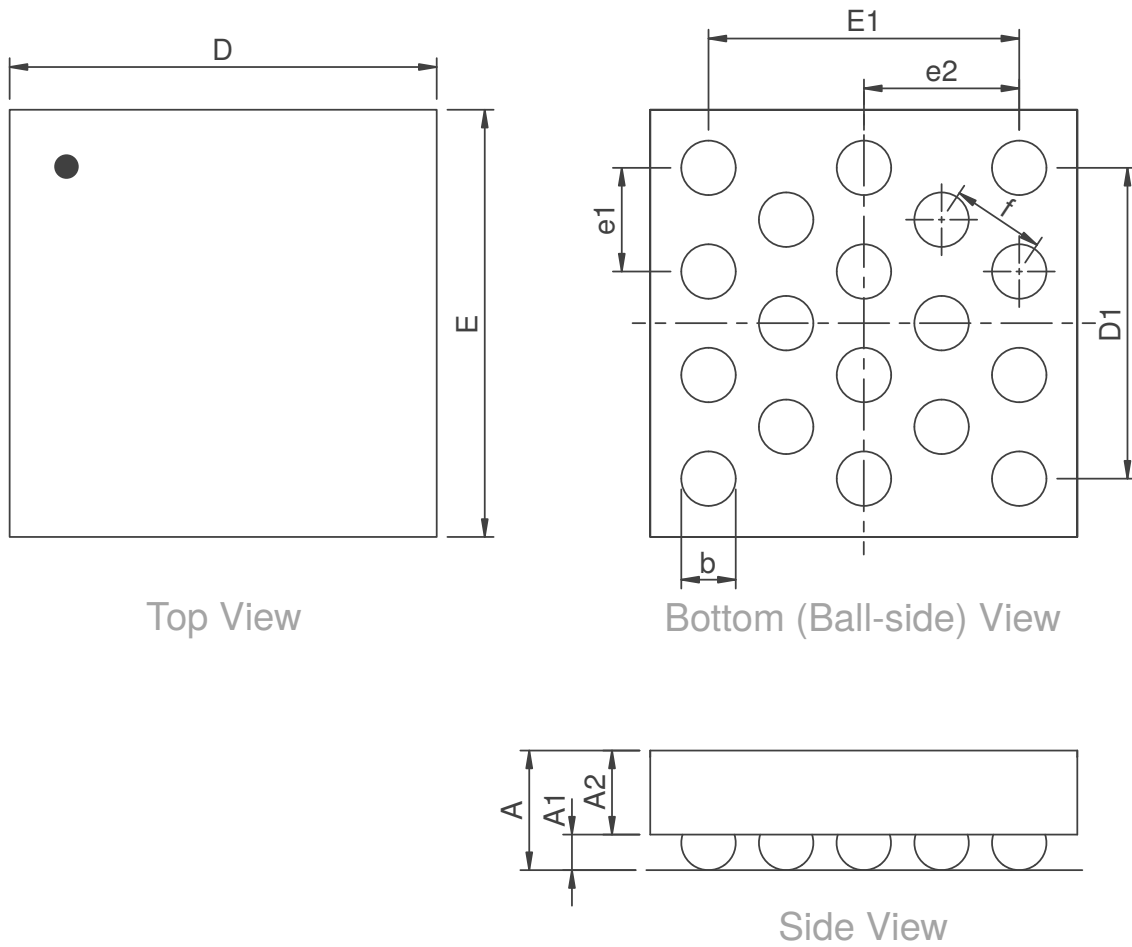


Figure 13.2: WLCSP (1.62x1.62)-18 Package Outline Visual Description

Table 13.2: WLCSP (1.62x1.62)-18 Package Outline Visual Description

Dimension	[mm]	Dimension	[mm]
A	0.525 ± 0.05	E	1.620 ± 0.015
A1	0.2 ± 0.02	E1	1.2
A2	0.3 ± 0.025	e1	0.4
b	0.260 ± 0.039	e2	0.6
D	1.620 ± 0.015	f	0.36
D1	1.2		

### 13.3 Tape and Reel Specifications

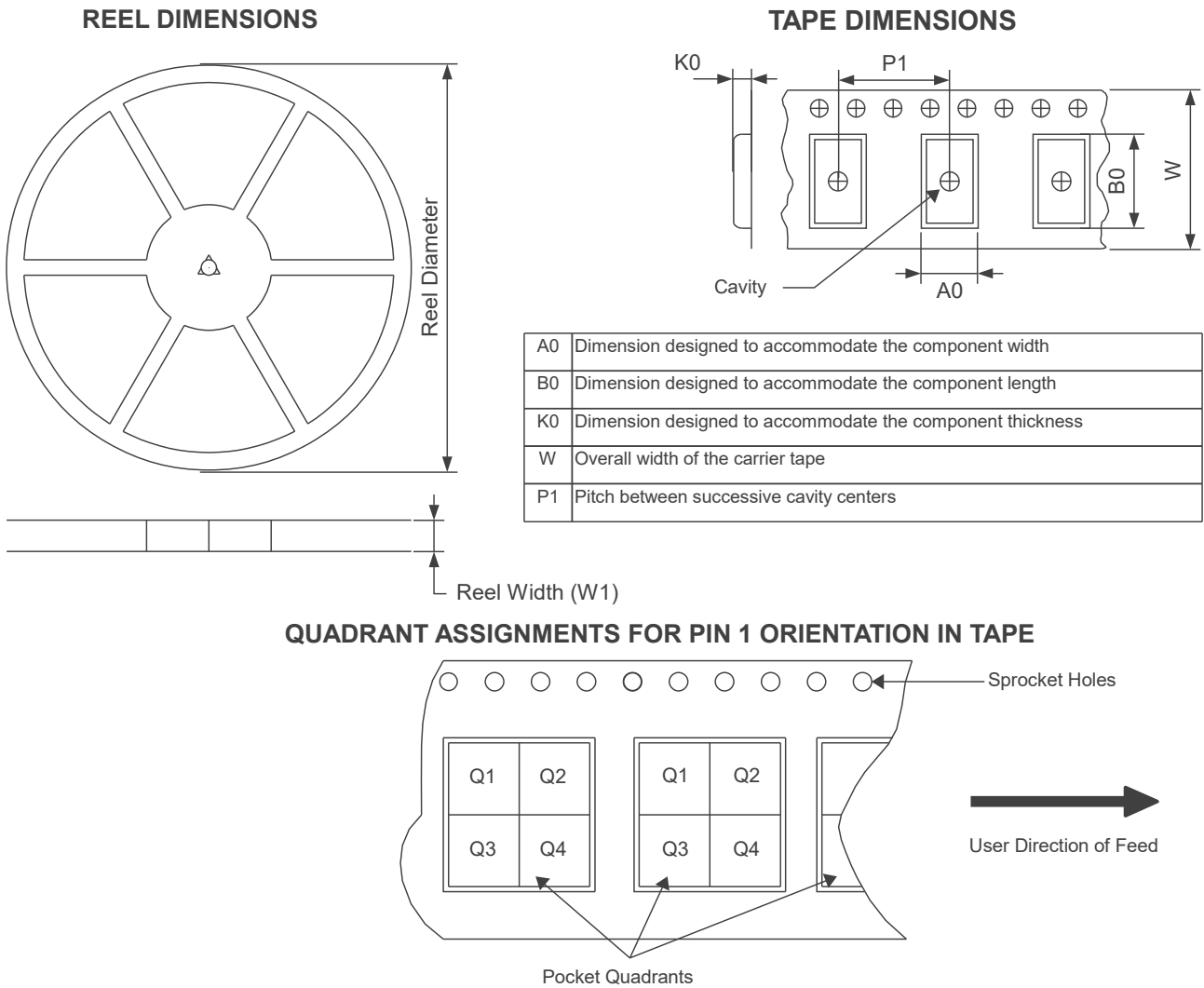


Figure 13.3: Tape and Reel Specification

Table 13.3: Tape and reel Specifications

Package Type	Pins	Reel Diameter (mm)	Reel Width (mm)	A0 (mm)	B0 (mm)	K0 (mm)	P1 (mm)	W (mm)	Pin1 Quadrant
QFN20	20	180	12.4	3.3	3.3	0.8	8	12	Q2
WLCSP18	18	179	8.4	1.78	1.78	0.69	4	8	Q1



### 13.4 Moisture Sensitivity Levels

Package	MSL
QFN20	1
WLCSP18	1

### 13.5 Reflow Specifications

Contact Azoteq



## A Memory Map Descriptions

Table A.1: Version Information

Register: 0x00 - 0x09

Address	Category	Name	Value		
0x00	Reserved	Product Number	863		
0x01		Major Version	1 (for order code 001)	2	2
0x02		Minor Version	13	6	23/27 <sup>1</sup>
0x03		Reserved			
0x04		Reserved			
0x05 - 0x09	Reserved	Reserved			

Table A.2: System Status

Register: 0x10

Bit15	Bit14	Bit13	Bit12	Bit11	Bit10	Bit9	Bit8	Bit7	Bit6	Bit5	Bit4	Bit3	Bit2	Bit1	Bit0
Reserved								Global Halt	NP up-date	Power mode	Reset	Res	ATI Error	ATI Active	

- > **Bit 7: Global Halt**
  - 0: Global Halt not active
  - 1: Global Halt active
- > **Bit 6: Normal Power Update**
  - 0: No Normal Power Update occurred
  - 1: Normal Power update occurred
- > **Bit 4-5: Current Power Mode**
  - 00: Normal power mode
  - 01: Low power mode
  - 10: Ultra-low power mode
- > **Bit 3: Device Reset**
  - 0: No reset occurred
  - 1: Reset occurred
- > **Bit 1: ATI Error**
  - 0: No ATI error occurred
  - 1: ATI error occurred
- > **Bit 0: ATI Active**
  - 0: ATI not active
  - 1: ATI active

Table A.3: Events

Register: 0x11

Bit15	Bit14	Bit13	Bit12	Bit11	Bit10	Bit9	Bit8	Bit7	Bit6	Bit5	Bit4	Bit3	Bit2	Bit1	Bit0
Reserved		Power Event	ATI Event	Reserved										Touch Event	Prox Event

- > **Bit 13: Power Event**
  - 0: No Power Event occurred
  - 1: Power Event occurred
- > **Bit 12: ATI Event**
  - 0: No ATI Event occurred
  - 1: ATI Event occurred
- > **Bit 1: Touch Event**
  - 0: No Touch Event occurred
  - 1: Touch Event occurred
- > **Bit 0: Prox Event**
  - 0: No Prox Event occurred
  - 1: Prox Event occurred

<sup>1</sup>Please refer to PCN-PR560-IQS7222C Product Change note v1.0





Table A.4: Proximity Event States

Register: 0x12															
Bit15	Bit14	Bit13	Bit12	Bit11	Bit10	Bit9	Bit8	Bit7	Bit6	Bit5	Bit4	Bit3	Bit2	Bit1	Bit0
						CH9	CH8	CH7	CH6	CH5	CH4	CH3	CH2	CH1	CH0

- > **Bit 0-10: Channel Prox Event**
  - 0: No prox event occurred on channel
  - 1: Prox event occurred on channel

Table A.5: Touch Event States

Register: 0x13															
Bit15	Bit14	Bit13	Bit12	Bit11	Bit10	Bit9	Bit8	Bit7	Bit6	Bit5	Bit4	Bit3	Bit2	Bit1	Bit0
						CH9	CH8	CH7	CH6	CH5	CH4	CH3	CH2	CH1	CH0

- > **Bit 0-10: Channel Touch Event**
  - 0: No touch event occurred on channel
  - 1: Touch event occurred on channel

Table A.6: Cycle Setup 0

Register: 0x8000, 0x8100, 0x8200, 0x8300, 0x8400															
Bit15	Bit14	Bit13	Bit12	Bit11	Bit10	Bit9	Bit8	Bit7	Bit6	Bit5	Bit4	Bit3	Bit2	Bit1	Bit0
Conversion Frequency Period								Conversion Frequency Fraction							

- > **Bit 8-15: Conversion Frequency Period**
  - The calculation of the charge transfer frequency ( $f_{xfer}$ ) is shown below. The relevant formula is determined by the value of the dead time enabled bit (refer to table A.7)
  - Dead time disabled:  $f_{xfer} = \frac{f_{clk}}{2 * period + 2}$
  - Dead time enabled:  $f_{xfer} = \frac{f_{clk}}{2 * period + 3}$
  - Range: 0 - 127
- > **Bit 0-7: Conversion Frequency Fraction**
  - $256 * \frac{f_{conv}}{f_{clk}}$
  - Range: 0 - 255
- > **Note:** if Conversion frequency fraction is fixed at 127 and dead time is enabled, the following values of the conversion period will result in the corresponding charge transfer frequencies:
  - 1: 2MHz
  - 5: 1MHz<sup>ii</sup>
  - 12: 500kHz
  - 17: 350kHz
  - 26: 250kHz
  - 53: 125kHz

Table A.7: Cycle Setup 1

Register: 0x8001, 0x8101, 0x8201, 0x8301, 0x8401															
Bit15	Bit14	Bit13	Bit12	Bit11	Bit10	Bit9	Bit8	Bit7	Bit6	Bit5	Bit4	Bit3	Bit2	Bit1	Bit0
CTX8	CTX7	CTX6	CTX5	CTX4	CTX3	CTX2	CTX1	CTX0	Ground inactive Rxs	Dead time enabled	FOSC TX Freq	Vbias enable	PXS Mode		

- > **Bit 15: CTx8**
  - 0: CTx8 disabled
  - 1: CTx8 enabled
- > **Bit 14: CTx7**
  - 0: CTx7 disabled
  - 1: CTx7 enabled
- > **Bit 13: CTx6**
  - 0: CTx6 disabled
  - 1: CTx6 enabled

<sup>ii</sup>Please note: The maximum charge transfer frequency for mutual capacitive mode (refer to table A.7) is 1MHz



- > Bit 12: **CTx5**
  - 0: CTx5 disabled
  - 1: CTx5 enabled
- > Bit 11: **CTx4**
  - 0: CTx4 disabled
  - 1: CTx4 enabled
- > Bit 10: **CTx3**
  - 0: CTx3 disabled
  - 1: CTx3 enabled
- > Bit 9: **CTx2**
  - 0: CTx2 disabled
  - 1: CTx2 enabled
- > Bit 8: **CTx1**
  - 0: CTx1 disabled
  - 1: CTx1 enabled
- > Bit 7: **CTx0**
  - 0: CTx0 disabled
  - 1: CTx0 enabled
- > Bit 6: **Ground Inactive Rx's**
  - 0: Inactive Rx floating
  - 1: Inactive Rx Grounded
- > Bit 5: **Dead Time Enabled**
  - Functionality used to avoid transient effect.
  - 0: Deadtime disabled
  - 1: Deadtime enabled
- > Bit 4: **FOSC TX Frequency**
  - 0: Disabled - Tx frequency set to the value of charge transfer frequency selected with the combination of charge transfer frequency fractio and period values
  - 1: Enabled - Tx frequency set to the value of F<sub>OSC</sub>
- > Bit 3: **Vbias Enabled**
  - Creates a constant voltage output on Tx8 to offset input voltage.
  - Enable in biased resonant inductive sensing if the voltage swing on the selected CRx is small.
  - 0: Vbias disabled
  - 1: Vbias enabled
- > Bit 0-2: **PXS Mode**
  - 000: None
  - 001: Self-capacitive
  - 010: Mutual capacitive<sup>iii</sup>
  - 011: Mutual inductance

Table A.8: Cycle Setup 2

Register: 0x8002, 0x8102, 0x8202, 0x8302, 0x8402															
Bit15	Bit14	Bit13	Bit12	Bit11	Bit10	Bit9	Bit8	Bit7	Bit6	Bit5	Bit4	Bit3	Bit2	Bit1	Bit0
Reserved					Current Reference Enable	Current Reference Output		Current Reference Level				Current Reference Trim			

- > Bit 10: **Current Reference Enable**
  - 0: Disable current reference
  - 1: Enable current reference
- > Bit 8-9: **Current Reference Output**
  - 00: Disabled
  - 10: Self-inductance to pads
- > Bit 4-7: **Current Reference Level**
  - 4 bit value to scale current output
  - Higher values will result in a higher output current
- > Bit 0-3: **Current Reference Trim**
  - 4 bit value to adjust current supply output
  - Higher values will result in a higher output current

<sup>iii</sup>Please note that the maximum allowed charge transfer frequency (see table A.6) for mutual capacitive mode is 1MHz i.e frequency period  $\geq 5$



Table A.9: Global Cycle Setup

Register: 0x8500															
Bit15	Bit14	Bit13	Bit12	Bit11	Bit10	Bit9	Bit8	Bit7	Bit6	Bit5	Bit4	Bit3	Bit2	Bit1	Bit0
Reserved	Maximum counts		Reserved				1	1	00	Auto Mode Update			Reserved		

> Bit 13-14: **Maximum counts**

- 00: 1023
- 01: 2047
- 10: 4095
- 11: 16384

> Bit 2-3: **Auto Mode Update**

- Number of conversions created before each interrupt is generated
- 00: 4
- 01: 8
- 10: 16
- 11: 32

Table A.10: Coarse and Fine Multipliers Preload

Register: 0x8501															
Bit15	Bit14	Bit13	Bit12	Bit11	Bit10	Bit9	Bit8	Bit7	Bit6	Bit5	Bit4	Bit3	Bit2	Bit1	Bit0
Reserved		Fine Divider Preload					Reserved				Coarse Divider Preload				

> Bit 0-4: **Coarse Divider Preload**

- 5-bit coarse divider preload value

> Bit 9-13: **Fine Divider Preload**

- 5-bit fine divider preload value

Table A.11: ATI Compensation Preload

Register: 0x8502															
Bit15	Bit14	Bit13	Bit12	Bit11	Bit10	Bit9	Bit8	Bit7	Bit6	Bit5	Bit4	Bit3	Bit2	Bit1	Bit0
Reserved						ATI Compensation Preload									

> Bit 0-9: **ATI Compensation Preload**

- 10-bit preload value

Table A.12: Button Setup 0

Register: 0x9000, 0x9100, 0x9200, 0x9300, 0x9400, 0x9500, 0x9600, 0x9700, 0x9800, 0x9900																
Bit15	Bit14	Bit13	Bit12	Bit11	Bit10	Bit9	Bit8	Bit7	Bit6	Bit5	Bit4	Bit3	Bit2	Bit1	Bit0	
Exit				Enter				Res Set 0	Proximity Threshold							

> Bit 12-15: **Exit Debounce Value**

- 0000: Debounce disabled
- 4-bit value

> Bit 8-11: **Enter Debounce Value**

- 0000: Debounce disabled
- 4-bit value

> Bit 0-6: **Proximity Threshold**

- 7-bit value

Table A.13: Button Setup 1

Register: 0x9001, 0x9101, 0x9201, 0x9301, 0x9401, 0x9501, 0x9601, 0x9701, 0x9801, 0x9901															
Bit15	Bit14	Bit13	Bit12	Bit11	Bit10	Bit9	Bit8	Bit7	Bit6	Bit5	Bit4	Bit3	Bit2	Bit1	Bit0
Touch Hysteresis								Touch Threshold							

> Bit 8-15: **Touch Hysteresis**

- Touch hysteresis value determines the release threshold. Release threshold can be determined as follows:
- $$\frac{LTA * \text{Threshold bit value}}{2^8} - \frac{\text{Threshold bit value} * \text{Hysteresis bit value} * LTA}{2^{16}}$$

> Bit 0-7: **Touch Threshold**



- $\frac{LTA}{256}$  \* 8bit value

Table A.14: Button Setup 2

Register:	0x9002, 0x9101, 0x9202, 0x9302, 0x9402, 0x9502, 0x9602, 0x9702, 0x9802, 0x9902														
Bit15	Bit14	Bit13	Bit12	Bit11	Bit10	Bit9	Bit8	Bit7	Bit6	Bit5	Bit4	Bit3	Bit2	Bit1	Bit0
Touch Event Timeout								Prox Event Timeout							

> **Bit 8-15: Touch Event Timeout**

- 8-bit value \* 500ms where a reseed of the LTA is forced. If the LTA is outside of the LTA ATI band a re-ATI event will occur if ATI is not disabled
- 0: Never timeout (recommended for use with follower and reference channels)

> **Bit 0-7: Prox Event Timeout**

- 8-bit value \* 500ms where a reseed of the LTA is forced. If the LTA is outside of the LTA ATI band a re-ATI event will occur if ATI is not disabled
- 0: Never timeout (recommended for use with follower and reference channels)

Table A.15: CRX Select and General Channel Setup(CH0-CH4)

Register:	0xA000, 0xA100, 0xA200, 0xA300, 0xA400														
Bit15	Bit14	Bit13	Bit12	Bit11	Bit10	Bit9	Bit8	Bit7	Bit6	Bit5	Bit4	Bit3	Bit2	Bit1	Bit0
Mode	ATI Band	Global halt	Invert	Dual	Enabled	CRX3	CRX2	CRX1	CRX0	Cs Size	Vref 0.5V	Proj Bias Select			

> **Bit 14-15: Channel Mode**

- 00: Independent
- 01: Reference
- 10: Follower

> **Bit 12-13: ATI band**

- 00: 1/16 \* Target
- 01: 1/8 \* Target
- 10: 1/4 \* Target
- 11: 1/2 \* Target

> **Bit 11: Global halt**

- If enabled, the LTA on the channel will halt when any other channel with global halt enabled, is in a prox/touch state. The function is aimed at slider/ wheel applications
- 0: Halt disabled
- 1: Halt enabled

> **Bit 10: Invert Direction**

- If this bit is enabled, the direction in which a touch will be triggered, is inverted. Bit must be enabled for mutual capacitive mode
- 0: Invert direction disabled
- 1: Invert direction enabled

> **Bit 9: Bi-directional sensing**

- 0: Bi-directional sensing disabled
- 1: Bi-directional sensing enabled

> **Bit 8: Channel Enabled**

- 0: Channel disabled
- 1: Channel enabled

> **Bit 7: CRx3**

- 0: CRx3 disabled
- 1: CRx3 enabled

> **Bit 6: CRx2**

- 0: CRx2 disabled
- 1: CRx2 enabled

> **Bit 5: CRx1**

- 0: CRx1 disabled
- 1: CRx1 enabled

> **Bit 4: CRx0**

- 0: CRx0 disabled
- 1: CRx0 enabled

> **Bit 3: Cs Size**

- 0: 40pF - use when external load is very small
- 1: 80pF



- > **Bit 2: Vref 0.5V Enable**
  - Decrease internal sampling capacitor size
  - 0: Vref 0.5V disabled -  $C_s$  = Value chosen in Cs 80pF bit (40pF/80pF)
  - 1: Vref 0.5V enabled -  $C_s$  = Half of the value chosen in Cs 80pF bit (40pF/80pF)
- > **Bit 0-1: Projected Bias Select**
  - 00:  $2\mu A$
  - 01:  $5\mu A$
  - 10:  $7\mu A$
  - 11:  $10\mu A$

Table A.16: CRX Select and General Channel Setup(CH5-CH9)

Register: 0xA500, 0xA600, 0xA700, 0xA800, 0xA900															
Bit15	Bit14	Bit13	Bit12	Bit11	Bit10	Bit9	Bit8	Bit7	Bit6	Bit5	Bit4	Bit3	Bit2	Bit1	Bit0
Mode	ATI Band		Global halt	Invert	Dual	Enabled	CRX7	CRX6	CRX5	CRX4	Cs 80pF	Vref 0.5V	Proj Bias Select		

- > **Bit 14-15: Mode**
  - 00: Independent
  - 01: Reference
  - 10: Follower
- > **Bit 12-13: ATI band**
  - 00:  $1/16 * \text{Target}$
  - 01:  $1/8 * \text{Target}$
  - 10:  $1/4 * \text{Target}$
  - 11:  $1/2 * \text{Target}$
- > **Bit 11: Global halt**
  - If enabled, the LTA on the channel will halt when any other channel with global halt enabled, is in a prox/touch state. The function is aimed at slider/ wheel applications
  - 0: Halt disabled
  - 1: Halt enabled
- > **Bit 10: Invert Direction**
  - If this bit is enabled, the direction in which a touch will be triggered, is inverted. Bit must be enabled for mutual capacitive mode
  - 0: Invert direction disabled
  - 1: Invert direction enabled
- > **Bit 9: Bi-directional Sensing**
  - 0: Bi-directional sensing disabled
  - 1: Bi-directional sensing enabled
- > **Bit 8: Channel Enabled**
  - 0: Channel disabled
  - 1: Channel enabled
- > **Bit 7: CRx7**
  - 0: CRx7 disabled
  - 1: CRx7 enabled
- > **Bit 6: CRx6**
  - 0: CRx6 disabled
  - 1: CRx6 enabled
- > **Bit 5: CRx5**
  - 0: CRx5 disabled
  - 1: CRx5 enabled
- > **Bit 4: CRx4**
  - 0: CRx4 disabled
  - 1: CRx4 enabled
- > **Bit 3: Cs Size**
  - 0: 40pF - use when external load is very small
  - 1: 80pF
- > **Bit 2: Vref 0.5V Enable**
  - Decrease internal sampling capacitor size
  - 0: Vref 0.5V disabled -  $C_s$  = Value chosen in Cs 80pF bit (40pF/80pF)
  - 1: Vref 0.5V enabled -  $C_s$  = Half of the value chosen in Cs 80pF bit (40pF/80pF)
- > **Bit 0-1: Projected Bias Select**
  - 00:  $2\mu A$
  - 01:  $5\mu A$



- 10: 7μA
- 11: 10μA

Table A.17: ATI Base and Target

Register: 0xA001, 0xA101, 0xA201, 0xA301, 0xA401, 0xA501, 0xA601, 0xA701, 0xA801, 0xA901															
Bit15	Bit14	Bit13	Bit12	Bit11	Bit10	Bit9	Bit8	Bit7	Bit6	Bit5	Bit4	Bit3	Bit2	Bit1	Bit0
ATI Target						ATI Base					ATI Mode				

- > **Bit 8-15: ATI Target**
  - 8-bit value \* 8
- > **Bit 3-7: ATI Base**
  - 5-bit value \* 16
- > **Bit 0-2: ATI Mode**
  - 000: ATI Disabled
  - 001: Compensation only
  - 010: ATI from compensation divider
  - 011: ATI from fine fractional divider
  - 100: ATI from coarse fractional divider
  - 101: Full ATI

Table A.18: Fine and Coarse Multipliers

Register: 0xA002, 0xA102, 0xA202, 0xA302, 0xA402, 0xA502, 0xA602, 0xA702, 0xA802, 0xA902															
Bit15	Bit14	Bit13	Bit12	Bit11	Bit10	Bit9	Bit8	Bit7	Bit6	Bit5	Bit4	Bit3	Bit2	Bit1	Bit0
Reserved		Fine Fractional Divider					Coarse Fractional Multiplier				Coarse Fractional Divider				

- > **Bit 9-13: Fine Fractional Divider**
  - 5-bit value
- > **Bit 5-8: Coarse Fractional Multiplier**
  - 4-bit value
- > **Bit 0-4: Coarse Fractional Divider**
  - 5-bit value

Table A.19: ATI Compensation

Register: 0xA003, 0xA103, 0xA203, 0xA303, 0xA403, 0xA503, 0xA603, 0xA703, 0xA803, 0xA903															
Bit15	Bit14	Bit13	Bit12	Bit11	Bit10	Bit9	Bit8	Bit7	Bit6	Bit5	Bit4	Bit3	Bit2	Bit1	Bit0
Compensation Divider					Res		Compensation Selection								

- > **Bit 11-15: Compensation Divider**
  - 5-bit value
- > **Bit 0-9: Compensation Selection**
  - 10-bit value

Table A.20: Reference Channel Settings 0

Register: 0xA004, 0xA104, 0xA204, 0xA304, 0xA404, 0xA504, 0xA604, 0xA704, 0xA804, 0xA904															
Bit15	Bit14	Bit13	Bit12	Bit11	Bit10	Bit9	Bit8	Bit7	Bit6	Bit5	Bit4	Bit3	Bit2	Bit1	Bit0
Reference Follower Mask Pointer/ Sensor Mask															

- > Please note that the register value is used for either Follower Mask Link Ptr or Reference Sensor Ptr based on the mode selected in table A.15 / A.16, bit 14-15
- > **Reference Follower Mask Pointer** - Mode = Reference
  - 0x694 (decimal = 1684): Prox
  - 0x696 (decimal = 1686): Touch
- > **Sensor Mask** - Mode = Follower
  - 0x000 (decimal = 0): None
  - 0x418 (decimal = 1048): Channel 0
  - 0x442 (decimal = 1090): Channel 1
  - 0x46C (decimal = 1132): Channel 2
  - 0x496 (decimal = 1174): Channel 3
  - 0x4C0 (decimal = 1216): Channel 4
  - 0x4EA (decimal = 1258): Channel 5



- 0x514 (decimal = 1300): Channel 6
- 0x53E (decimal = 1342): Channel 7
- 0x568 (decimal = 1384): Channel 8
- 0x592 (decimal = 1426): Channel 9

Table A.21: Reference Channel Settings 1

Register: 0xA005, 0xA105, 0xA205, 0xA305, 0xA405, 0xA505, 0xA605, 0xA705, 0xA805, 0xA905															
Bit15	Bit14	Bit13	Bit12	Bit11	Bit10	Bit9	Bit8	Bit7	Bit6	Bit5	Bit4	Bit3	Bit2	Bit1	Bit0
Reference Follower Mask/ Reference Weight															

- > Please note that the register value is used for either Follower Mask or Reference Weight based on the mode selected in table A.15 / A.16, bit 14-15
- > **Reference Follower Mask** (used to enable current sensor as a reference channel for the selected channel) - Mode = Reference
  - 0: Disabled
  - 1: Channel enabled as reference for Channel 0
  - 2: Channel enabled as reference for Channel 1 enabled
  - 4: Channel enabled as reference for Channel 2 enabled
  - 8: Channel enabled as reference for Channel 3 enabled
  - 16: Channel enabled as reference for Channel 4 enabled
  - 32: Channel enabled as reference for Channel 5 enabled
  - 64: Channel enabled as reference for Channel 6 enabled
  - 128: Channel enabled as reference for Channel 7 enabled
  - 256: Channel enabled as reference for Channel 8 enabled
  - 512: Channel enabled as reference for Channel 9 enabled
- > **Reference Weight** - Mode = Follower
  - 16-bit decimal value/256

Table A.22: Filter Betas

Register: 0xAA00															
Bit15	Bit14	Bit13	Bit12	Bit11	Bit10	Bit9	Bit8	Bit7	Bit6	Bit5	Bit4	Bit3	Bit2	Bit1	Bit0
LTA Low Power Beta				LTA Normal Power Beta				Counts Low Power Beta				Counts Normal Power Beta			

- > **Bit 12-15: LTA Low Power Beta Filter Value**
  - 4-bit value
- > **Bit 8-11: LTA Normal Power Beta Filter Value**
  - 4-bit value
- > **Bit 4-7: Counts Low Power Beta Filter Value**
  - 4-bit value
- > **Bit 0-3: Counts Normal Power Beta Filter Value**
  - 4-bit value

Table A.23: Fast Filter Betas

Register: 0xAA01															
Bit15	Bit14	Bit13	Bit12	Bit11	Bit10	Bit9	Bit8	Bit7	Bit6	Bit5	Bit4	Bit3	Bit2	Bit1	Bit0
Reserved								LTA Low Power Fast Beta				LTA Normal Power Fast Beta			

- > **Bit 4-7: LTA Low Power Fast Beta Filter Value**
  - 4-bit value
- > **Bit 0-3: LTA Normal Power Fast Beta Filter Value**
  - 4-bit value

Table A.24: Slider/Wheel Setup 0

Register: 0xB000, 0xB100																
Bit15	Bit14	Bit13	Bit12	Bit11	Bit10	Bit9	Bit8	Bit7	Bit6	Bit5	Bit4	Bit3	Bit2	Bit1	Bit0	
Lower Calibration								Static Filter	Slow/Static Beta			Wheel Enable	Total Channels			

- > **Bit 8-15: Lower Calibration**



- 8-bit value
- > Bit 7: **Static Filter**
  - 0: Static filter disabled
  - 1: Static filter enabled
- > Bit 4-6: **Slow/Static Beta**
  - 3-bit value
- > Bit 3: **Wheel Enable**
  - 0: Wheel disabled
  - 1: Wheel enabled
- > Bit 0-2: **Total Channels**
  - 0010: 2 Channels
  - 0011: 3 Channels
  - 0100: 4 Channels
  - Else: Disabled

Table A.25: Slider/Wheel Setup 1

Register: 0xB001, 0xB101															
Bit15	Bit14	Bit13	Bit12	Bit11	Bit10	Bit9	Bit8	Bit7	Bit6	Bit5	Bit4	Bit3	Bit2	Bit1	Bit0
Bottom Filter Speed								Upper Calibration							

- > Bit 8-15: **Bottom Filter Speed**
  - 8-bit value
- > Bit 0-7: **Upper Calibration**
  - 8-bit value

Table A.26: Slider Enable Mask

Register: 0xB004, 0xB104															
Bit15	Bit14	Bit13	Bit12	Bit11	Bit10	Bit9	Bit8	Bit7	Bit6	Bit5	Bit4	Bit3	Bit2	Bit1	Bit0
Reserved						CH9	CH8	CH7	CH6	CH5	CH4	CH3	CH2	CH1	CH0

- > Please note that all channels in use must be selected
- > Bit 0-9: **Slider Channel Enable Mask**
  - 0: Disabled
  - 1: Channel 0 enabled for slider
  - 2: Channel 1 enabled for slider
  - 4: Channel 2 enabled for slider
  - 8: Channel 3 enabled for slider
  - 16: Channel 4 enabled for slider
  - 32: Channel 5 enabled for slider
  - 64: Channel 6 enabled for slider
  - 128: Channel 7 enabled for slider
  - 256: Channel 8 enabled as output
  - 512: Channel 9 enabled as output

Table A.27: Slider Enable Status Link

Register: 0xB005, 0xB105															
Bit15	Bit14	Bit13	Bit12	Bit11	Bit10	Bit9	Bit8	Bit7	Bit6	Bit5	Bit4	Bit3	Bit2	Bit1	Bit0
Enable Status Link															

- > Bit 0-15: **Enable Status Link**
  - 0x694 (decimal = 1684): Output linked to channel prox
  - 0x696 (decimal = 1686): Output linked to channel touch

Table A.28: Delta Link

Register: 0xB006, 0xB007, 0xB008, 0xB009, 0xB106, 0xB107, 0xB108, 0xB109															
Bit15	Bit14	Bit13	Bit12	Bit11	Bit10	Bit9	Bit8	Bit7	Bit6	Bit5	Bit4	Bit3	Bit2	Bit1	Bit0
Delta Link															

- > Bit 0-15: **Delta Link** - Select element order per channel
- > Delta link number corresponds with slider element order





- 0x000 (decimal = 0): Disabled
- 0x438 (decimal = 1080): Channel 0 enabled for element
- 0x462 (decimal = 1122): Channel 1 enabled for element
- 0x48C (decimal = 1164): Channel 2 enabled for element
- 0x4B6 (decimal = 1206): Channel 3 enabled for element
- 0x4E0 (decimal = 1248): Channel 4 enabled for element
- 0x50A (decimal = 1290): Channel 5 enabled for element
- 0x534 (decimal = 1332): Channel 6 enabled for element
- 0x55E (decimal = 1374): Channel 7 enabled for element
- 0x588 (decimal = 1416): Channel 8 enabled for element
- 0x5B2 (decimal = 1458): Channel 9 enabled for element

Table A.29: GPIO Enable and Configuration Settings

Register: 0xC000, 0xC100, 0xC200															
Bit15	Bit14	Bit13	Bit12	Bit11	Bit10	Bit9	Bit8	Bit7	Bit6	Bit5	Bit4	Bit3	Bit2	Bit1	Bit0
Reserved									GPIO4	GPIO3	Reserved		GPIO0	Output Configuration	Enable

- > **Bit 6: GPIO4**
  - 0: GPIO4 not linked to output
  - 1: GPIO4 linked to output
- > **Bit 5: GPIO3**
  - 0: GPIO3 not linked to output
  - 1: GPIO3 linked to output
- > **Bit 2: GPIO0**
  - 0: GPIO0 not linked to output
  - 1: GPIO0 linked to output
- > **Bit 1: Output Configuration**
  - 0: Push pull active high logic
  - 1: Open Drain active low logic (requires additional pull-up resistance to VDD level, no internal pull-up)
- > **Bit 0: Enable**
  - 0: GPIO Output disabled
  - 1: GPIO Output enabled

Table A.30: GPIO0 Enable Mask

Register: 0xC001, 0xC101, 0xC201															
Bit15	Bit14	Bit13	Bit12	Bit11	Bit10	Bit9	Bit8	Bit7	Bit6	Bit5	Bit4	Bit3	Bit2	Bit1	Bit0
Reserved						CH9	CH8	CH7	CH6	CH5	CH4	CH3	CH2	CH1	CH0

- > Please note that more than one channel can be selected as an output
- > **Bit 0-7: Channel Enable Mask**
  - 0: Disabled
  - 1: Channel 0 enabled as output
  - 2: Channel 1 enabled as output
  - 4: Channel 2 enabled as output
  - 8: Channel 3 enabled as output
  - 16: Channel 4 enabled as output
  - 32: Channel 5 enabled as output
  - 64: Channel 6 enabled as output
  - 128: Channel 7 enabled as output
- > **Bit 8-9: Channel Enable Mask**
  - 256: Channel 8 enabled as output
  - 512: Channel 9 enabled as output

Table A.31: GPIO Enable Status Link

Register: 0xC002, 0xC102, 0xC202															
Bit15	Bit14	Bit13	Bit12	Bit11	Bit10	Bit9	Bit8	Bit7	Bit6	Bit5	Bit4	Bit3	Bit2	Bit1	Bit0
Enable Status Link															

- > **Bit 0-15: Enable Status Link**



- 0x694 (decimal = 1684): Output linked to channel prox
- 0x696 (decimal = 1686): Output linked to channel touch
- 0x6A4 (decimal = 1700): Direct output (Use register 0xDB (See table A.35) to directly override the GPIO output state for the instance of CH0, CH1 or CH2)

Table A.32: Control Settings

Register: 0xD0															
Bit15	Bit14	Bit13	Bit12	Bit11	Bit10	Bit9	Bit8	Bit7	Bit6	Bit5	Bit4	Bit3	Bit2	Bit1	Bit0
Reserved								Interface type		Power mode		Reseed	Re-ATI	Soft Reset	ACK Reset

- > **Bit 6-7: Interface Selection**
  - 00: I<sup>2</sup>C streaming
  - 01: I<sup>2</sup>C event mode
  - 10: I<sup>2</sup>C Stream in touch
- > **Bit 4-5: Power Mode Selection**
  - 00: Normal power
  - 01: Low power
  - 10: Ultra-low Power
  - 11: Automatic power mode switching
- > **Bit 3: Execute Reseed Command**
  - 0: Do not reseed
  - 1: Reseed
- > **Bit 2: Execute ATI Command**
  - 0: Do not ATI
  - 1: ATI
- > **Bit 1: Soft Reset**
  - 0: Do not reset device
  - 1: Reset device after communication window terminates
- > **Bit 0: Acknowledge Reset Command**
  - 0: Do not acknowledge reset
  - 1: Acknowledge reset

Table A.33: Event Enable

Register: 0xD9															
Bit15	Bit14	Bit13	Bit12	Bit11	Bit10	Bit9	Bit8	Bit7	Bit6	Bit5	Bit4	Bit3	Bit2	Bit1	Bit0
Reserved		Power event	ATI event	Reserved										Touch event	Prox event

- > **Bit 13: Power Event**
  - 0: Power event masked
  - 1: Power event enabled
- > **Bit 12: ATI Event**
  - 0: ATI event masked
  - 1: ATI event enabled
- > **Bit 1: Touch Event**
  - 0: Touch event masked
  - 1: Touch event enabled
- > **Bit 0: Prox Event**
  - 0: Prox event masked
  - 1: Prox event enabled

Table A.34: I<sup>2</sup>C Communication

Register: 0xDA															
Bit15	Bit14	Bit13	Bit12	Bit11	Bit10	Bit9	Bit8	Bit7	Bit6	Bit5	Bit4	Bit3	Bit2	Bit1	Bit0
Reserved												Stop received	Start received	RW check disabled	Stop bit disabled

- > **Bit 3: Stop Received Flag**
  - 0: No I<sup>2</sup>C stop received
  - 1: I<sup>2</sup>C stop received



- > **Bit 2: Start Received Flag**
  - 0: No I<sup>2</sup>C start received
  - 1: I<sup>2</sup>C start received
- > **Bit 1: RW Check Disabled**
  - 0: Write not allowed to read only registers
  - 1: Read and write allowed to read only registers
- > **Bit 0: Stop Bit Disabled**
  - 0: I<sup>2</sup>C communication window terminated by stop bit.
  - 1: I<sup>2</sup>C communication window not terminated by stop bit. Send 0xFF to slave address to terminate window

Table A.35: GPIO Override

Register: 0xDB															
Bit15	Bit14	Bit13	Bit12	Bit11	Bit10	Bit9	Bit8	Bit7	Bit6	Bit5	Bit4	Bit3	Bit2	Bit1	Bit0
Reserved													CH2	CH1	CH0

- > **Note:** To write to this register, the register's address (0xDB) must be commanded explicitly before writing data i.e. in a separate I<sup>2</sup>C write setup command.
- > **Bit 2: CH2**
  - 0: Channel 2 direct output state inactive
  - 1: Channel 2 direct output state active
- > **Bit 1: CH1**
  - 0: Channel 1 direct output state inactive
  - 1: Channel 1 direct output state active
- > **Bit 0: CH0**
  - 0: Channel 0 direct output state inactive
  - 1: Channel 0 direct output state active
- > **Note:** To use direct outputs
  - Output must be enabled as "Direct".
  - The corresponding channel "CHx" in the Channel Enable Mask register (refer to table A.30) must be enabled. E.g. For output 2, CH2 must be selected.
  - The corresponding GPIO override bit, "CHx" must be enabled. E.g. For output 2, the CH2 bit under "GPIO Override" must be enabled.

Table A.36: I<sup>2</sup>C Communication Timeout

Register: 0xDC															
Bit15	Bit14	Bit13	Bit12	Bit11	Bit10	Bit9	Bit8	Bit7	Bit6	Bit5	Bit4	Bit3	Bit2	Bit1	Bit0
I <sup>2</sup> C Communication Timeout															

- > **Note:** To write to this register, the register's address (0xDC) must be commanded explicitly before writing data i.e. in a separate I<sup>2</sup>C write setup command.
- > **Bit 0-15: I<sup>2</sup>C Communication Timeout**
  - 16-bit value [ms]
  - Range: 0 - 64535
  - Default = 500ms



## B Revision History

Release	Date	Changes
v1.0	July 2021	Initial release
v1.1	July 2021	Filter beta bit definition corrected
v1.2	August 2021	Reference schematics updated to include 3 GPIO's Extra GPIO registers and descriptions add Order code 101 and 102 added Tape and Reel information added Slider and wheel combinations added Firmware version changed to v2.6 Bit definition for Read-write check corrected
v1.3	November 2021	Changed Communication protocol description Read-write permissions added in memory map Stop-bit disable bit definition corrected Revision history added Force communication section added Register 0xDC added VREG minimum and maximum values added Firmware version changed to v2.23 Changes implemented for IQS7222C 101 and 102 IC options according to "PCN-PR560-IQS7222C Product Change note v0.1"
v1.4	Desember 2021	Firmware version changed to v2.27. Appendix C, known issues added Changes implemented for IQS7222C 101 and 102 IC options according to "PCN-PR560-IQS7222C Product Change note v1.0"
v1.5	January 2022	Information regarding h files added Added program flow diagram
v1.6	June 2022	Added watchdog timer Minor format and spelling errors addressed Frontpage package dimension update Description of Direct Output GPIO function added Package description and dimension updated Schematics updated to match VREG capacitor recommendations
v1.7	June 2022	Update QFN20 pin diagram to show TAB pad.
v1.8	August 2022	Minor formatting and grammar changes

## C Known Issues

**V2.23 and earlier:** Polling during start-up may result in device lockup. Suspend polling for at least 25ms after receiving a NACK.



## Contact Information

	USA	Asia	South Africa
<b>Physical Address</b>	11940 Jollyville Rd Suite 120-S Austin TX-78759 USA	Room501A, Block A T-Share International Centre Taoyuan Road Nanshan District Shenzhen Guangdong Province PRC	1 Bergsig Avenue Paarl 7646 South Africa
<b>Postal Address</b>	11940 Jollyville Rd Suite 120-S Austin TX-78759 USA	Room501A, Block A T-Share International Centre Taoyuan Road Nanshan District Shenzhen Guangdong Province PRC	PO Box 3534 Paarl 7620 South Africa
<b>Tel</b>	+1 512 538 1995	+86 755 8303 5294 ext 808	+27 21 863 0033
<b>Email</b>	info@azoteq.com	info@azoteq.com	info@azoteq.com

*Visit [www.azoteq.com](http://www.azoteq.com)  
for a list of distributors and worldwide representation.*

Patents as listed on [www.azoteq.com/patents-trademarks/](http://www.azoteq.com/patents-trademarks/) may relate to the device or usage of the device.

Azoteq®, Crystal Driver®, IQ Switch®, ProxSense®, ProxFusion®, LightSense™, SwipeSwitch™, and the logo are trademarks of Azoteq.

The information in this Datasheet is believed to be accurate at the time of publication. Azoteq uses reasonable effort to maintain the information up-to-date and accurate, but does not warrant the accuracy, completeness or reliability of the information contained herein. All content and information are provided on an "as is" basis only, without any representations or warranties, express or implied, of any kind, including representations about the suitability of these products or information for any purpose. Azoteq disclaims all warranties and conditions with regard to these products and information, including but not limited to all implied warranties and conditions of merchantability, fitness for a particular purpose, title and non-infringement of any third party intellectual property rights. Azoteq assumes no liability for any damages or injury arising from any use of the information or the product or caused by, without limitation, failure of performance, error, omission, interruption, defect, delay in operation or transmission, even if Azoteq has been advised of the possibility of such damages. The applications mentioned herein are used solely for the purpose of illustration and Azoteq makes no warranty or representation that such applications will be suitable without further modification, nor recommends the use of its products for application that may present a risk to human life due to malfunction or otherwise. Azoteq products are not authorized for use as critical components in life support devices or systems. No licenses to patents are granted, implicitly, express or implied, by estoppel or otherwise, under any intellectual property rights. In the event that any of the abovementioned limitations or exclusions does not apply, it is agreed that Azoteq's total liability for all losses, damages and causes of action (in contract, tort (including without limitation, negligence) or otherwise) will not exceed the amount already paid by the customer for the products. Azoteq reserves the right to alter its products, to make corrections, deletions, modifications, enhancements, improvements and other changes to the content and information, its products, programs and services at any time or to move or discontinue any contents, products, programs or services without prior notification. For the most up-to-date information and binding Terms and Conditions please refer to [www.azoteq.com](http://www.azoteq.com).