

National Semiconductor is now part of
Texas Instruments.

Search <http://www.ti.com/> for the latest technical
information and details on our current products and services.

LM9044

Lambda Sensor Interface Amplifier

General Description

The LM9044 is a precision differential amplifier specifically designed for operation in the automotive environment. Gain accuracy is guaranteed over the entire automotive temperature range (-40°C to $+125^{\circ}\text{C}$) and is factory trimmed after package assembly. The input circuitry has been specifically designed to reject common-mode signals as much as 3V below ground without the need for a negative voltage supply. This facilitates the use of sensors which are grounded at the engine block while the LM9044 itself is grounded at chassis potential. An external capacitor on the R_F pin sets the maximum operating frequency of the amplifier, thereby filtering high frequency transients. Both inputs are protected against accidental shorting to the battery and against load dump transients. The input impedance is typically $1.2\text{ M}\Omega$.

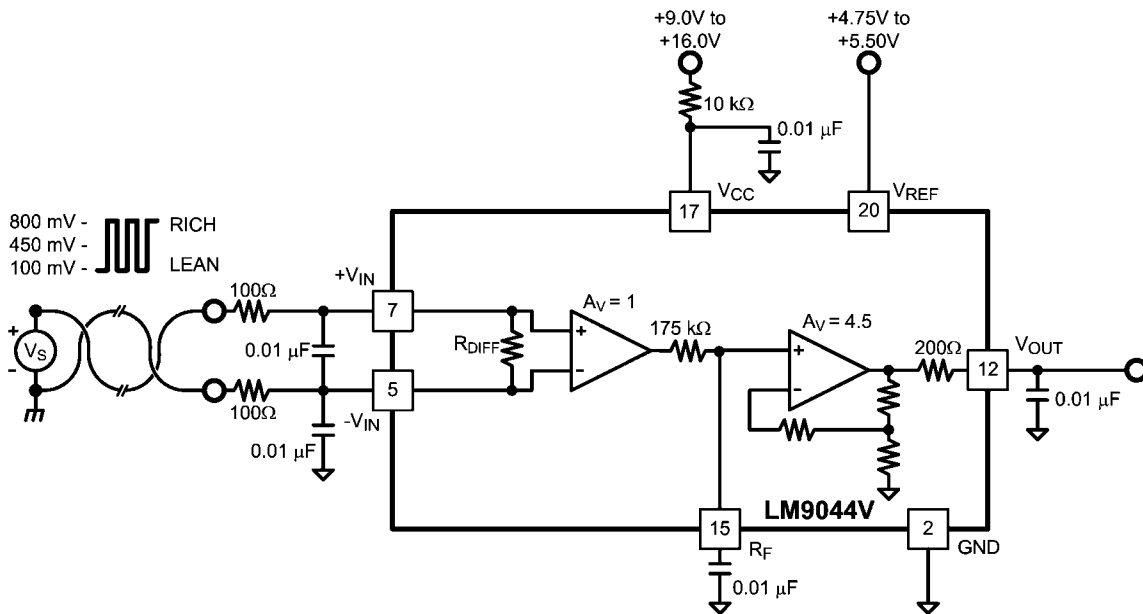
The output op amp is capable of driving capacitive loads and is fully protected. Also, internal circuitry has been provided to

detect open circuit conditions on either or both inputs and force the output to a "home" position (a ratio of the external reference voltage).

Features

- Normal circuit operation guaranteed with inputs up to 3V below ground on a single supply.
- Gain factory trimmed and guaranteed over temperature ($\pm 3\%$ of full-scale from -40°C to $+125^{\circ}\text{C}$)
- Low power consumption (typically 1 mA)
- Fully protected inputs
- Input open circuit detection
- Operation guaranteed over the entire automotive temperature range (-40°C to $+125^{\circ}\text{C}$)

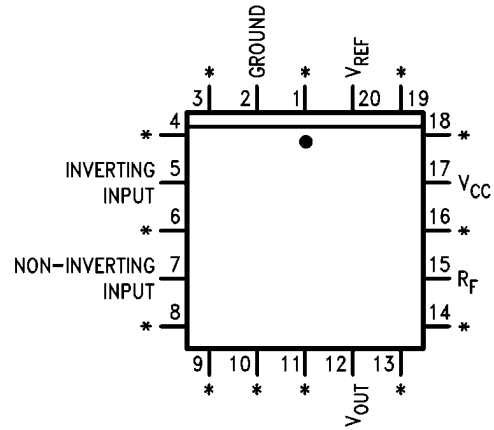
Typical Application



674415

Connection Diagram

Plastic Chip Carrier Package



674406

*Pins 1, 3, 4, 6, 8, 9, 10, 11, 13, 14, 16, 18, 19 are trim pins and should be left floating.

Top View
Order Number LM9044V
See NS Package Number V20A

Absolute Maximum Ratings (Note 1)

If Military/Aerospace specified devices are required, please contact the National Semiconductor Sales Office/Distributors for availability and specifications.

V_{CC} Supply Voltage ($R_{V_{CC}} = 15\text{ k}\Omega$)	$\pm 60\text{V}$
V_{REF} Supply Voltage	$-0.3\text{V to } +6\text{V}$
DC Input Voltage (Either input)(Note 3)	$-3\text{V to } +16\text{V}$
Input Transients (Note 2)	$\pm 60\text{V}$
Power Dissipation see (Note 8)	1350 mW

Output Short Circuit Duration	Indefinite
Operating Temperature Range	$-40^\circ\text{C to } +125^\circ\text{C}$
Storage Temperature Range	$-65^\circ\text{C to } +150^\circ\text{C}$
Soldering Information	

Plastic Chip Carrier Package	
Vapor Phase (60 seconds)	215°C
Infrared (15 seconds)	220°C

See AN-450 "Surface Mounting Methods and Their Effect on Product Reliability" for other methods of soldering surface devices.

Electrical Characteristics $V_{CC} = 12\text{V}$, $V_{REF} = 5\text{V}$, $-40^\circ\text{C} \leq T_A \leq 125^\circ\text{C}$ unless otherwise noted

Parameter	Conditions	(Note 4)			(Note 5)			Units
		Min	Typ	Max	Min	Typ	Max	
Differential Voltage Gain	$V_{DIFF} = 0.5, -1\text{V} \leq V_{CM} \leq +1\text{V}$	4.41	4.50	4.59	-	-	-	V/V
	$V_{DIFF} = 0.5, -3\text{V} \leq V_{CM} \leq +1\text{V}$	-	-	-	4.36	4.50	4.64	V/V
Gain Error (Note 7)	$0 \leq V_{DIFF} \leq 1\text{V}, -1\text{V} \leq V_{CM} \leq +1\text{V}$	-2	0	2	-	-	-	%/FS
	$0 \leq V_{DIFF} \leq 1\text{V}, -3\text{V} \leq V_{CM} \leq +1\text{V}$	-	-	-	-3	0	3	%/FS
Differential Input Resistance	$0 \leq V_{DIFF} \leq 1\text{V}, -1\text{V} \leq V_{CM} \leq +1\text{V}$	0.95	1.20	3.00	-	-	-	$\text{M}\Omega$
	$0 \leq V_{DIFF} \leq 1\text{V}, -3\text{V} \leq V_{CM} \leq +1\text{V}$	-	-	-	0.70	1.20	4.00	$\text{M}\Omega$
Non-Inverting Input Bias Current	$0 \leq V_{DIFF} \leq 1\text{V}, -1\text{V} \leq V_{CM} \leq +1\text{V}$	-	± 0.38	± 0.65	-	-	-	μA
	$0 \leq V_{DIFF} \leq 1\text{V}, -3\text{V} \leq V_{CM} \leq +1\text{V}$	-	-	-	-	± 0.38	± 1.5	μA
Inverting Input Bias Current	$0 \leq V_{DIFF} \leq 1\text{V}, -1\text{V} \leq V_{CM} \leq +1\text{V}$	-25	-65	-100	-	-	-	μA
	$0 \leq V_{DIFF} \leq 1\text{V}, -3\text{V} \leq V_{CM} \leq +1\text{V}$	-	-	-	-	-45	-150	μA
V_{CC} Supply Current	$V_{CC} = 12\text{V}, R_{V_{CC}} = 15\text{k}$	-	300	500	-	-	-	μA
V_{REF} Supply Current	$4.75\text{V} \leq V_{REF} \leq 5.5\text{V}$	-	0.5	1.0	-	-	-	mA
Common-Mode Voltage Range (Note 6)		-1	-	1	-3	-	1	V
DC Common-Mode Rejection Ratio	Input Referred							
	$-1\text{V} \leq V_{CM} \leq +1\text{V}, V_{DIFF} = 0.5\text{V}$	50	60	-	-	-	-	dB
Open Circuit Output Voltage	One or Both Inputs Open							
	$-1\text{V} \leq V_{CM} \leq +1\text{V}$	0.371	0.397	0.423	-	-	-	$\times V_{REF}$
	$-3\text{V} \leq V_{CM} \leq +1\text{V}$	-	-	-	0.365	0.397	0.439	$\times V_{REF}$
Short Circuit Output Current	Output Grounded	1.0	2.7	5.0	-	-	-	mA
V_{CC} Power Supply Rejection Ratio	$V_{CC} = 12\text{V}, R_{V_{CC}} = 15\text{k}$ $V_{DIFF} = 0.5\text{V}$	50	65	-	-	-	-	dB
V_{REF} Power Supply Rejection Ratio	$V_{REF} = 5\text{V}_{DC}$ $V_{DIFF} = 0.5\text{V}$	60	74	-	-	-	-	dB

Note 1: Absolute Maximum Ratings indicate limits beyond which damage to the device may occur.

Note 2: This test is performed with a 1000Ω source impedance.

Note 3: With a 100Ω series resistor on each input pin.

Note 4: These parameters are guaranteed and 100% production tested.

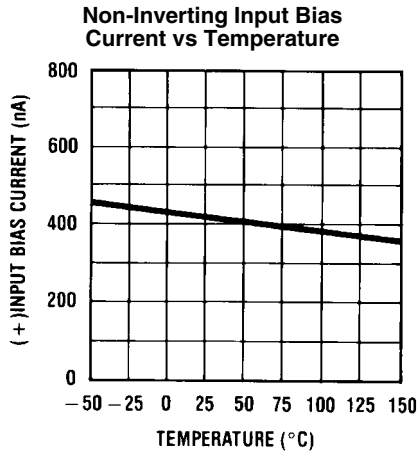
Note 5: These parameters will be guaranteed but not 100% production tested.

Note 6: The LM9044 has been designed to common-mode to -3V , but production testing is only performed at $\pm 1\text{V}$.

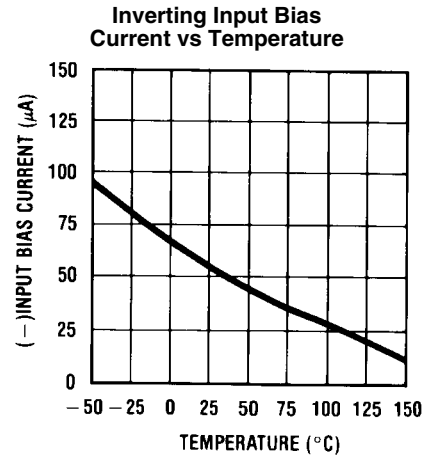
Note 7: Gain error is given as a percent of full-scale. Full-scale is defined as 1V at the input and 4.5V at the output.

Note 8: For operation in ambient temperatures above 25°C the device must be derated based on a maximum junction temperature of 150°C and a thermal resistance of 93°C/W junction to ambient.

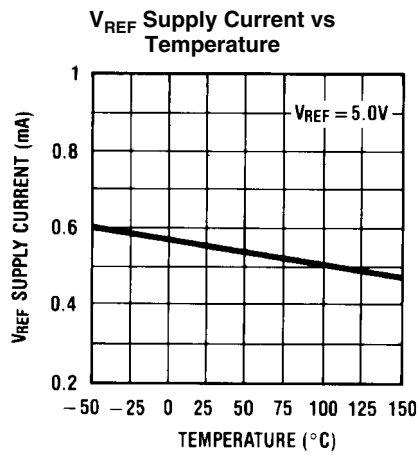
Typical Performance Characteristics



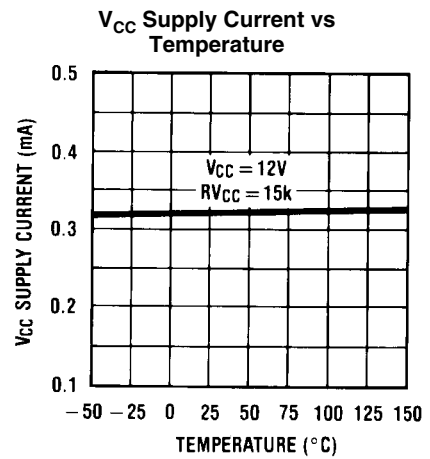
674402



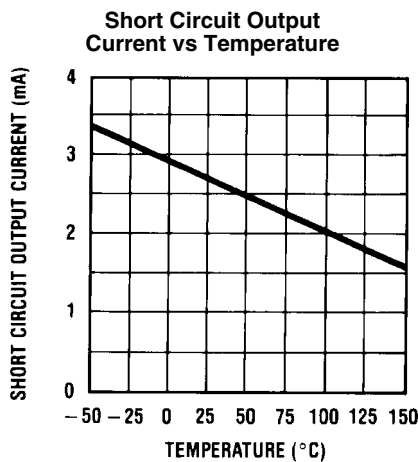
674407



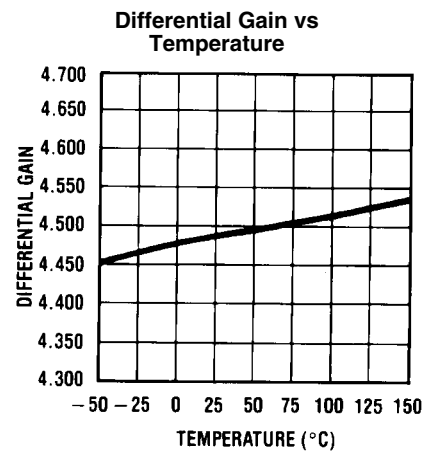
674408



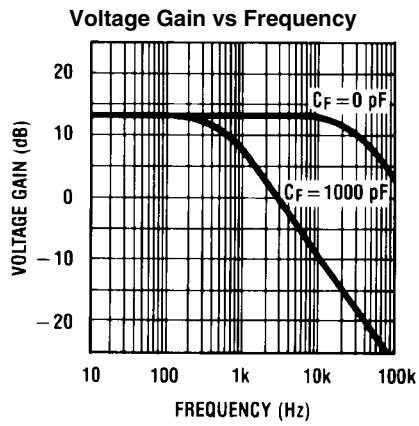
674409



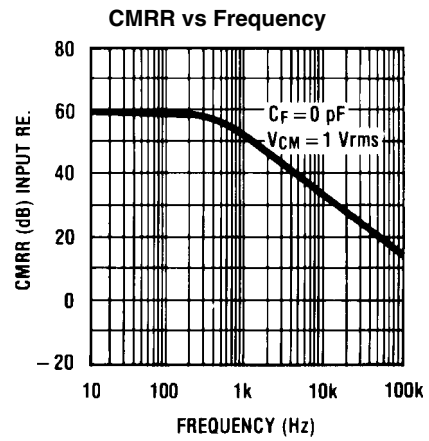
674410



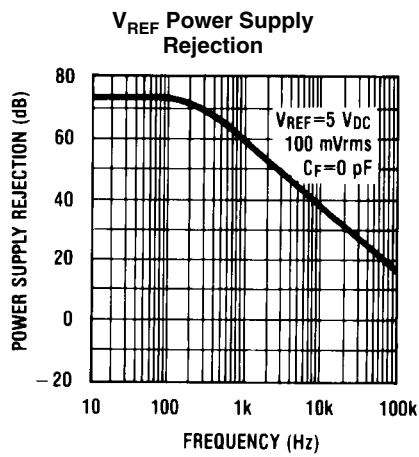
674403



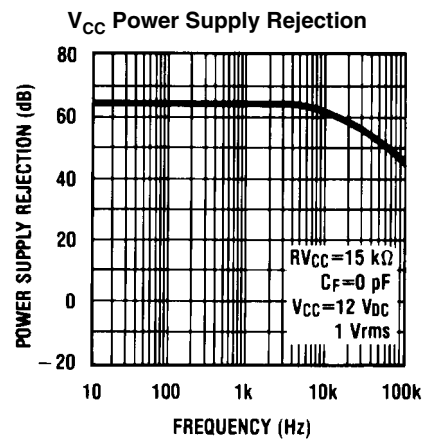
674411



674412

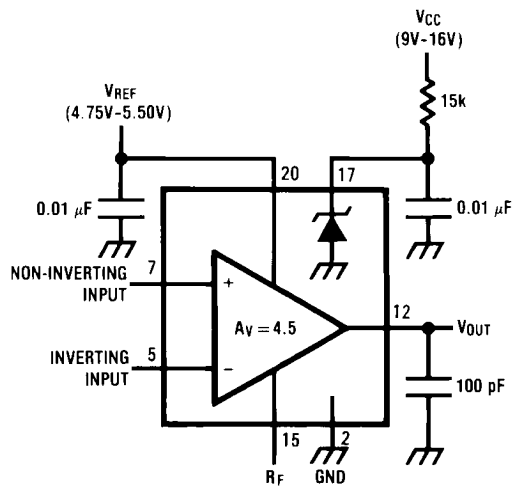


674413



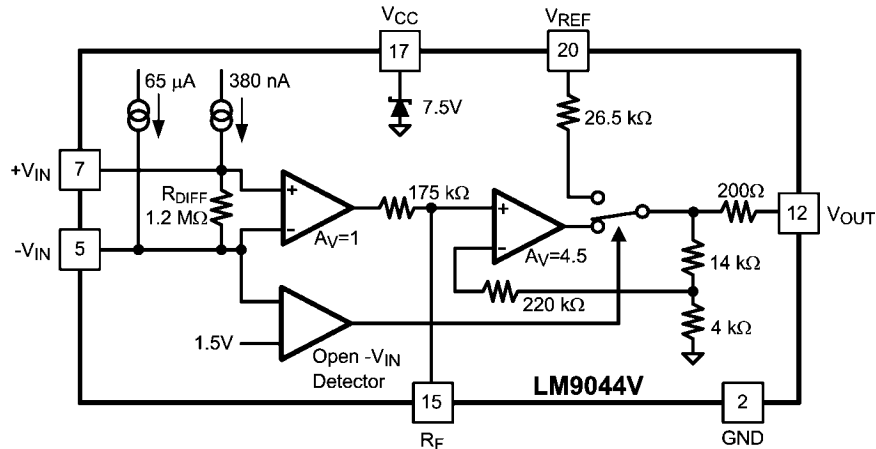
674404

Test Circuit



674405

Block Diagram



674414

Application Information

CIRCUIT DESCRIPTION

The LM9044 is a single channel device intended to act as a linear interface between a zirconium dioxide oxygen sensor and an A-to-D convertor. The LM9044 is fabricated in Bipolar technology and requires two supplies: a nominal 12V automotive supply (i.e. $V_{BATTERY}$), and a well regulated 5V supply. The IC consists of a single channel differential input amplifier with a nominal DC gain of 4.5 V/V. The differential inputs have a guaranteed common mode voltage operating range of 1V above and below ground. The circuitry also contains provisions for default output voltage in the cases of cold sensor and open sensor wiring. Additional support circuitry includes one pin for an optional user programmed low pass filter.

COLD SENSOR

Typically, a Lambda sensor will have an impedance of less than 10 k Ω when operating at temperatures between 300°C, and 500°C. When a Lambda sensor is not at operating temperature, its impedance can be more than 10 Meg Ω . Any voltage signal that may be developed is seriously attenuated. During this high impedance condition the LM9044 will provide a default output voltage.

While the Lambda sensor is high impedance the internal non-inverting input bias current (380 nA typical) will flow through the differential input resistance (1.2 M Ω typical) and out the inverting input pin to ground. This will cause a voltage to be developed across the differential inputs:

$$V_{IN(DIFF)} = 380 \text{ nA} \times 1.2 \text{ M}\Omega$$

$$V_{IN(DIFF)} = 456 \text{ mV}$$

The 456 mV across differential input resistance will be the dominant input signal, and the typical V_{OUT} will be:

$$V_{OUT} = V_{IN(DIFF)} \times 4.50$$

$$V_{OUT} = 456 \text{ mV} \times 4.50$$

$$V_{OUT} = 2.0\text{V}$$

As the Lambda sensor is heated, and the sensor impedance begins to drop, the voltage signal from the sensor will become the dominate signal.

The non-inverting input bias current is scaled to the V_{REF} voltage. As the V_{REF} voltage increases, or decreases, this bias current will change proportionally.

OPEN INPUT PINS DEFAULTS

In any remote sensor application it is desirable to be able to deal with the possibility of open connections between the sensor and the control module. The LM9044 is capable of providing a default output voltage should either, or both, of the wires to the Lambda sensor open. The two inputs handle the open circuit condition differently.

For the case of an open connection at the non-inverting input, the device would react exactly the same as for the Cold Sensor condition. The internal non-inverting input bias current (380 nA typical) flowing through the differential input resistance (1.2 M Ω typical) would cause the typical output voltage to be at a value defined by:

$$V_{OUT} = ((380 \text{ nA} \times 1.2\text{M}\Omega) \times 4.50)$$

$$V_{OUT} = 2.0\text{V}$$

The inverting input would still be connected to the Lambda sensor ground, so common mode signals would still need to be considered in this condition.

For the case of an open connection of the inverting input, the device output stage switches from the amplifier output to a resistive voltage divider. The LM9044 has a comparator to monitor the voltage on the inverting input pin, and a 65 μA (typical) current source that will force the pin high if the pin is open. When the voltage on the inverting pin goes above typically 1.5V, the comparator will switch the output pin from the amplifier output to the resistive voltage divider stage. In this case, the default V_{OUT} is not dependent on the gain stage, and any signal on the non-inverting input will be ignored. In this condition V_{OUT} is:

$$V_{OUT} = V_{REF} \times ((14\text{k} + 4\text{k}) / (26.5\text{k} + 14\text{k} + 4\text{k}))$$

$$V_{OUT} = V_{REF} \times 0.4045$$

When V_{REF} is at 5.0V, V_{OUT} is defined as:

$$V_{OUT} = 5.0\text{V} \times 0.4045$$

$$V_{OUT} = 2.0\text{V}$$

In the cases where both the inverting and non-inverting pins are open, the open inverting pin condition (i.e.: a voltage divider across the output) will be the dominant condition.

Any common mode voltage transient on the inverting input pin which goes above the comparator threshold will immediately cause the output to switch to the resistive voltage divider mode. The output will return to normal operation when the voltage on the inverting input falls below the 1.5V threshold.

OUTPUT RESISTANCE

Under normal operating conditions the output pin resistance is typically 200Ω.

If the LM9044 is operating in a default output mode due an open connection on the inverting input, the output resistance will typically appear to be close to 11 kΩ.

An external output filter capacitor value of no more than 0.01 μF is generally recommended. Since the output pin voltage drive is basically a simple NPN emitter follower, the output pin pull-down is done by the internal feedback resistor string. With larger value capacitors on the output pin the effect will be somewhat similar to a voltage peak detector where the output capacitor is charged through the 200Ω resistor, and discharged back through the 200Ω resistor and the 18 kΩ feedback resistor string to ground.

The output resistance provides current limiting for the output stage should it become shorted to Ground. Any DC loading of the output will cause an error in the output voltage.

SUPPLY BYPASSING

For best performance the LM9044 requires a V_{REF} supply which is stable and noise free. The same 5V reference supply used for the A/D converter is the recommended LM9044 V_{REF} supply.

The LM9044 V_{CC} pin has an internal zener shunt voltage regulator, typically 7.5V, and requires a series resistor to limit the

current. The V_{CC} pin should be bypassed with a minimum 0.01 μF capacitor to the Ground pin, and should be located as close to the device as possible. Some applications may require an additional bypass capacitance if the system voltage is unusually noisy.

SETTING THE BANDWIDTH

The LM9044 bandwidth is limited by an external capacitor (C_F) on the R_F pin.

This pin has an internal 175 kΩ resistor. The external capacitor and the internal resistor form a simple RC low-pass filter with a corner frequency (f_C) defined as:

$$f_C = 1 / (2 \times \pi \times 175 \text{ k}\Omega \times C_F)$$

With a C_F capacitor value of 0.001 μF, the corner frequency is:

$$f_C = 1 / (2 \times \pi \times 175 \text{ k}\Omega \times 0.001 \text{ }\mu\text{F})$$

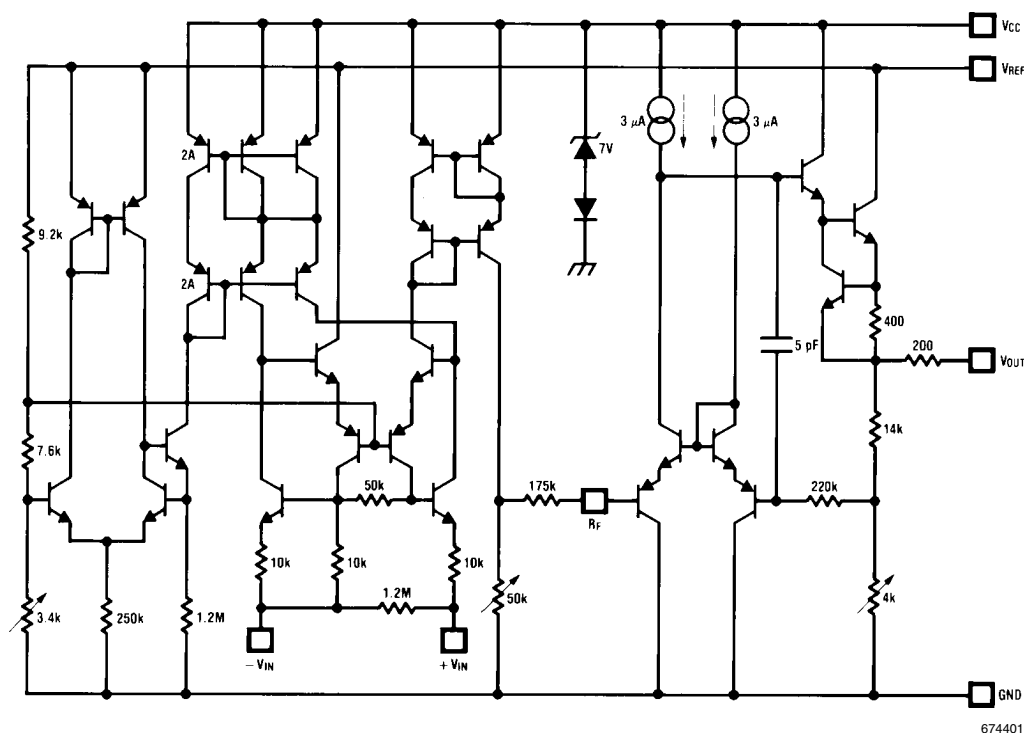
$$f_C = 909 \text{ Hz}$$

INPUT FILTERING

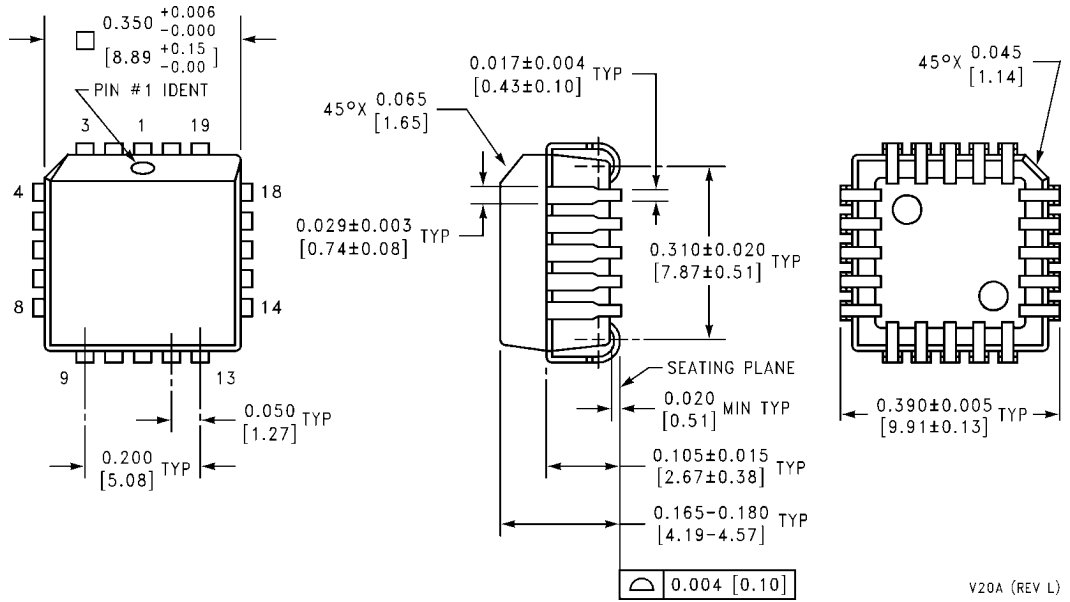
Filtering at the differential inputs is strongly recommended. Both the differential voltage signal and the common mode voltage signal should have low pass filters.

Input filtering is accomplished with series resistors on the input pins, and appropriate bypass capacitors. Typical input pin series resistance values are in the 100Ω to 1kΩ range. Series resistance values larger than 1kΩ will generate offset voltages that affect the accuracy of the signal voltage seen at the differential input pins.

Simplified Internal Schematic



Physical Dimensions inches (millimeters) unless otherwise noted



Plastic Chip Carrier Package
Order Number LM9044V
NS Package Number V20A

V20A (REV L)

Notes

LM9044

Notes

For more National Semiconductor product information and proven design tools, visit the following Web sites at:

Products		Design Support	
Amplifiers	www.national.com/amplifiers	WEBENCH® Tools	www.national.com/webench
Audio	www.national.com/audio	App Notes	www.national.com/appnotes
Clock and Timing	www.national.com/timing	Reference Designs	www.national.com/refdesigns
Data Converters	www.national.com/adc	Samples	www.national.com/samples
Interface	www.national.com/interface	Eval Boards	www.national.com/evalboards
LVDS	www.national.com/lvds	Packaging	www.national.com/packaging
Power Management	www.national.com/power	Green Compliance	www.national.com/quality/green
Switching Regulators	www.national.com/switchers	Distributors	www.national.com/contacts
LDOs	www.national.com/ldo	Quality and Reliability	www.national.com/quality
LED Lighting	www.national.com/led	Feedback/Support	www.national.com/feedback
Voltage Reference	www.national.com/vref	Design Made Easy	www.national.com/easy
PowerWise® Solutions	www.national.com/powerwise	Solutions	www.national.com/solutions
Serial Digital Interface (SDI)	www.national.com/sdi	Mil/Aero	www.national.com/milaero
Temperature Sensors	www.national.com/tempsensors	SolarMagic™	www.national.com/solarmagic
Wireless (PLL/VCO)	www.national.com/wireless	Analog University®	www.national.com/AU

THE CONTENTS OF THIS DOCUMENT ARE PROVIDED IN CONNECTION WITH NATIONAL SEMICONDUCTOR CORPORATION ("NATIONAL") PRODUCTS. NATIONAL MAKES NO REPRESENTATIONS OR WARRANTIES WITH RESPECT TO THE ACCURACY OR COMPLETENESS OF THE CONTENTS OF THIS PUBLICATION AND RESERVES THE RIGHT TO MAKE CHANGES TO SPECIFICATIONS AND PRODUCT DESCRIPTIONS AT ANY TIME WITHOUT NOTICE. NO LICENSE, WHETHER EXPRESS, IMPLIED, ARISING BY ESTOPPEL OR OTHERWISE, TO ANY INTELLECTUAL PROPERTY RIGHTS IS GRANTED BY THIS DOCUMENT.

TESTING AND OTHER QUALITY CONTROLS ARE USED TO THE EXTENT NATIONAL DEEMS NECESSARY TO SUPPORT NATIONAL'S PRODUCT WARRANTY. EXCEPT WHERE MANDATED BY GOVERNMENT REQUIREMENTS, TESTING OF ALL PARAMETERS OF EACH PRODUCT IS NOT NECESSARILY PERFORMED. NATIONAL ASSUMES NO LIABILITY FOR APPLICATIONS ASSISTANCE OR BUYER PRODUCT DESIGN. BUYERS ARE RESPONSIBLE FOR THEIR PRODUCTS AND APPLICATIONS USING NATIONAL COMPONENTS. PRIOR TO USING OR DISTRIBUTING ANY PRODUCTS THAT INCLUDE NATIONAL COMPONENTS, BUYERS SHOULD PROVIDE ADEQUATE DESIGN, TESTING AND OPERATING SAFEGUARDS.

EXCEPT AS PROVIDED IN NATIONAL'S TERMS AND CONDITIONS OF SALE FOR SUCH PRODUCTS, NATIONAL ASSUMES NO LIABILITY WHATSOEVER, AND NATIONAL DISCLAIMS ANY EXPRESS OR IMPLIED WARRANTY RELATING TO THE SALE AND/OR USE OF NATIONAL PRODUCTS INCLUDING LIABILITY OR WARRANTIES RELATING TO FITNESS FOR A PARTICULAR PURPOSE, MERCHANTABILITY, OR INFRINGEMENT OF ANY PATENT, COPYRIGHT OR OTHER INTELLECTUAL PROPERTY RIGHT.

LIFE SUPPORT POLICY

NATIONAL'S PRODUCTS ARE NOT AUTHORIZED FOR USE AS CRITICAL COMPONENTS IN LIFE SUPPORT DEVICES OR SYSTEMS WITHOUT THE EXPRESS PRIOR WRITTEN APPROVAL OF THE CHIEF EXECUTIVE OFFICER AND GENERAL COUNSEL OF NATIONAL SEMICONDUCTOR CORPORATION. As used herein:

Life support devices or systems are devices which (a) are intended for surgical implant into the body, or (b) support or sustain life and whose failure to perform when properly used in accordance with instructions for use provided in the labeling can be reasonably expected to result in a significant injury to the user. A critical component is any component in a life support device or system whose failure to perform can be reasonably expected to cause the failure of the life support device or system or to affect its safety or effectiveness.

National Semiconductor and the National Semiconductor logo are registered trademarks of National Semiconductor Corporation. All other brand or product names may be trademarks or registered trademarks of their respective holders.

Copyright© 2009 National Semiconductor Corporation

For the most current product information visit us at www.national.com



**National Semiconductor
Americas Technical
Support Center**
Email: support@nsc.com
Tel: 1-800-272-9959

**National Semiconductor Europe
Technical Support Center**
Email: europe.support@nsc.com

**National Semiconductor Asia
Pacific Technical Support Center**
Email: ap.support@nsc.com

**National Semiconductor Japan
Technical Support Center**
Email: jpn.feedback@nsc.com