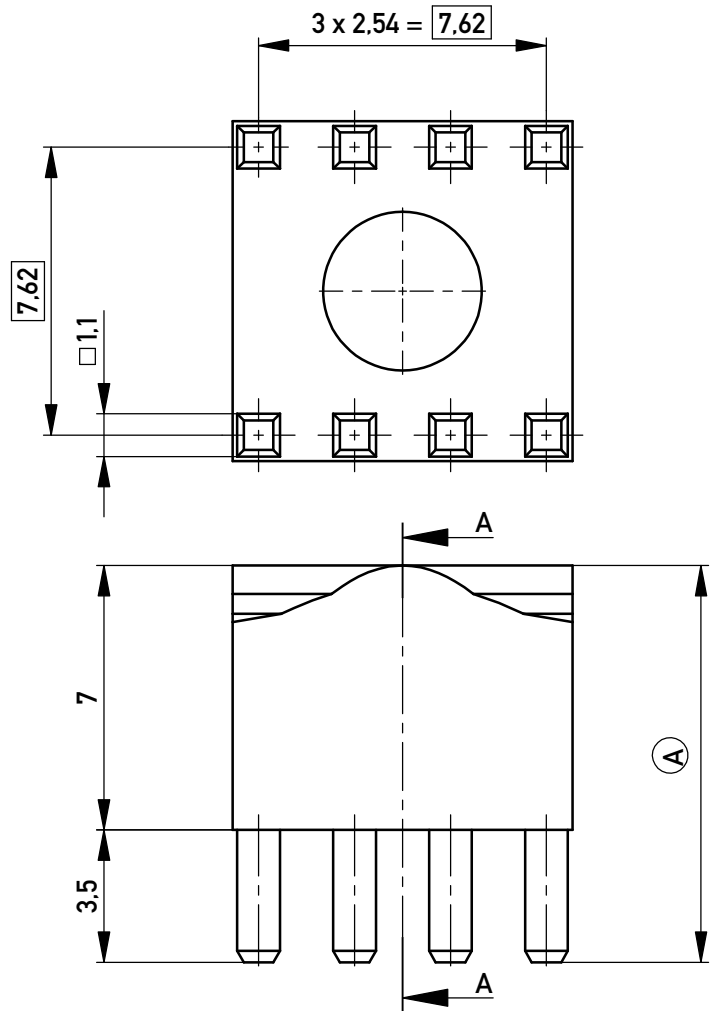
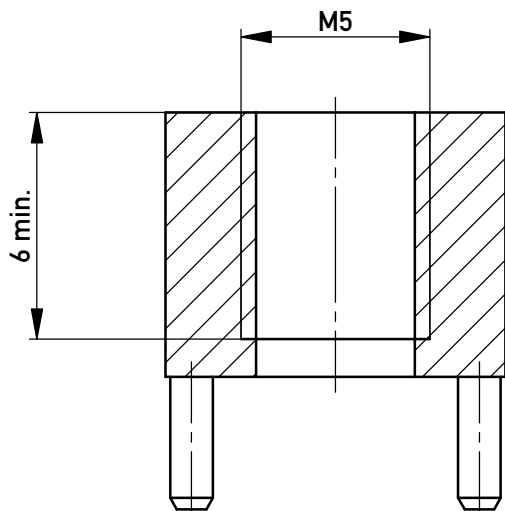
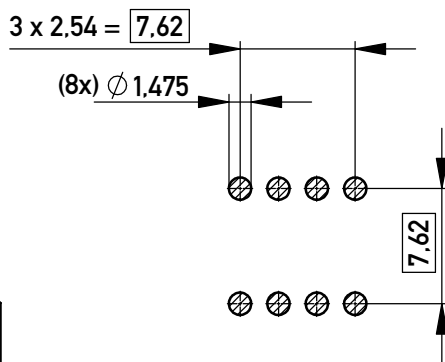


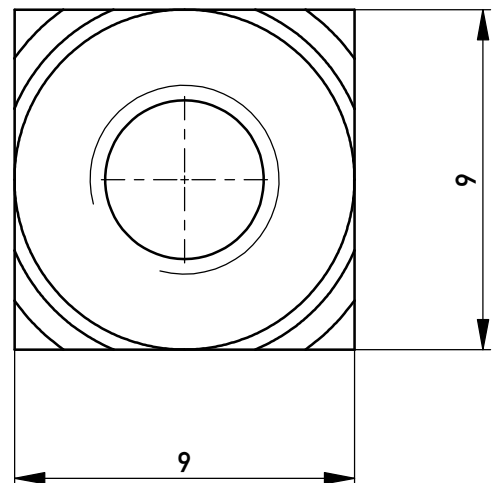
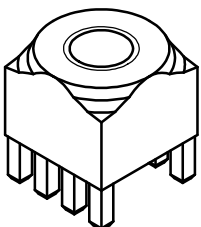
Schnitt A-A  
cross section A-A



Layout - Vorschlag  
PCB - Layout proposal  
M 2:1  
scale 2:1



M 2:1  
scale 2:1



2-6µm Sn matt über 1-3µm Cu  
2-6µm sn matt over 1-3µm cu

Ⓐ Oberfläche / plating

Information:	Tolerances	<p>All Dimensions in mm</p>	Scale	5:1
	<p>All rights reserved. Only for Information. To ensure that this is the latest version of this drawing, please contact one of the ERNI companies before using.</p>		<p>Subject to modification without prior notice. Drawing will not be updated.</p>	Material:
<p>www.ERNI.com</p>		Designation		<p><b>PowerElement female thread</b> <b>two row population M5</b></p>
		<p><b>225695</b></p>		<p>1 A4</p>
b	13.02.2018		Class	POWELM
Index	Date			

Copyright by ERNI Production GmbH & Co. KG  
 Proprietary notice pursuant to ISO 16016 to be observed.