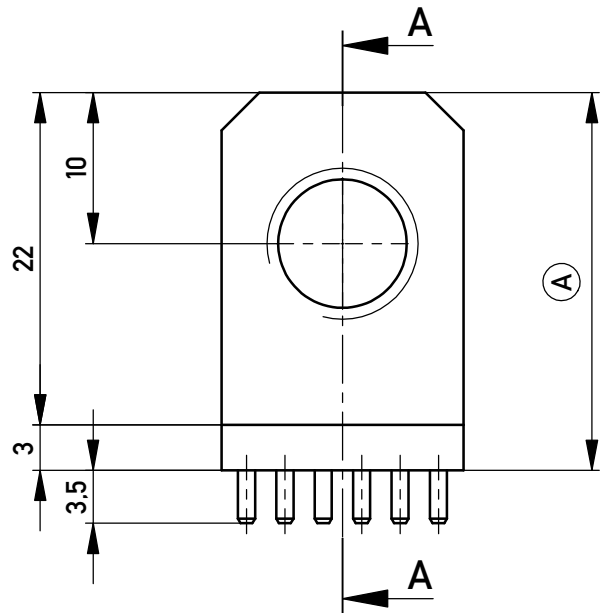
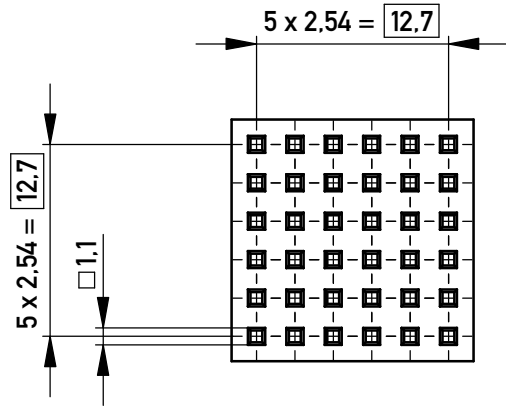
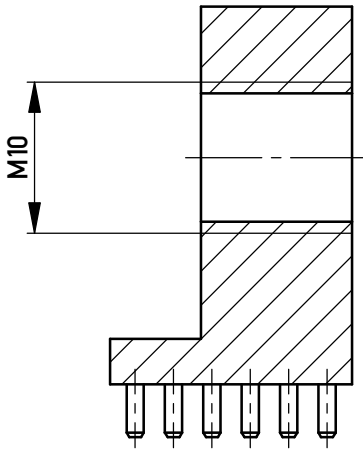
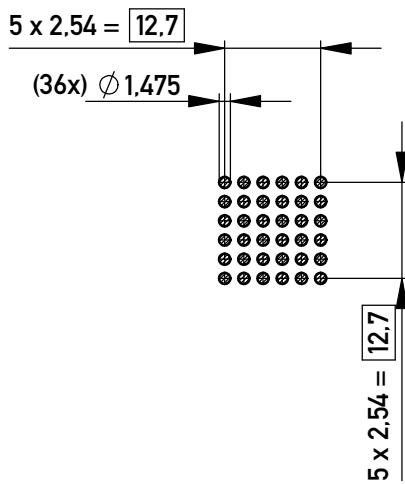


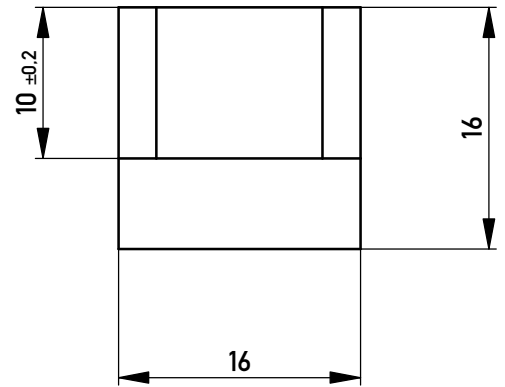
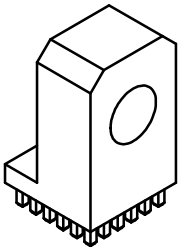
Schnitt A-A
cross section A-A



Layout - Vorschlag
PCB - Layout proposal
M 1:1
scale 1:1



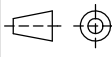

M 1:1
scale 1:1



2-6µm Sn matt über 2-4µm Cu
2-6µm sn matt over 2-4µm cu

(A) Oberfläche / plating

Copyright by ERNI Production GmbH & Co. KG
Proprietary notice pursuant to ISO 16016 to be observed.

Information:		Tolerances		Scale 2:1	
All rights reserved. Only for Information. To ensure that this is the latest version of this drawing, please contact one of the ERNI companies before using.		 All Dimensions in mm		Material: CuZn39Pb3	
				Designation	
 www.ERNI.com		Subject to modification without prior notice. Drawing will not be updated.		PowerElement angled <i>full population M10</i>	
				225704	
b	14.02.2018	Class		POWELM	
Index	Date			I A4	