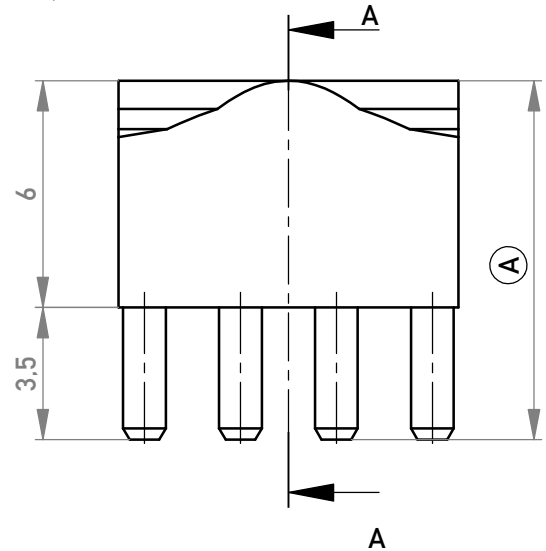
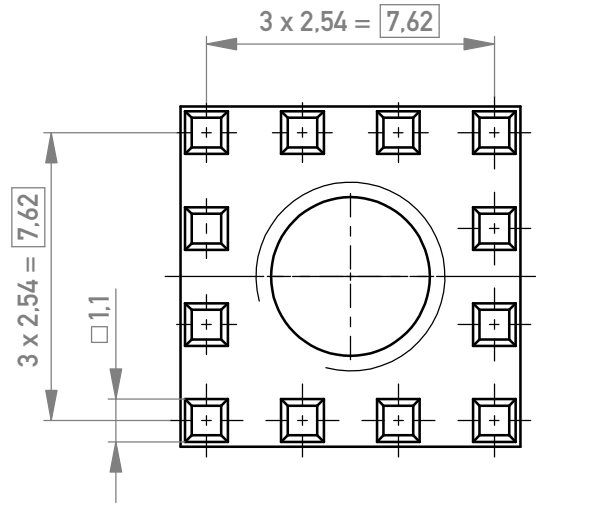
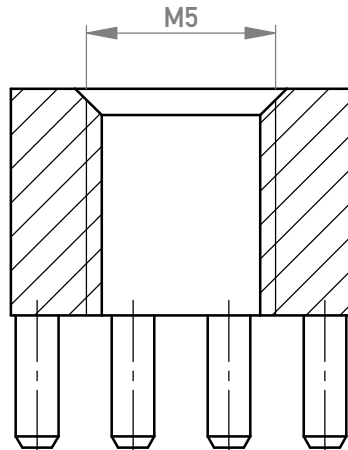
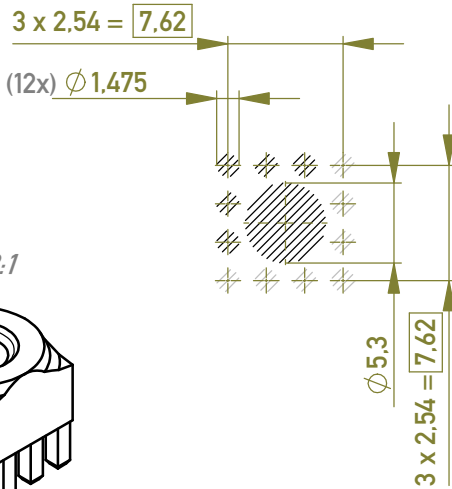


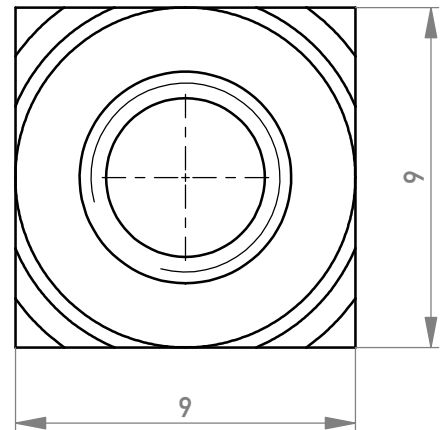
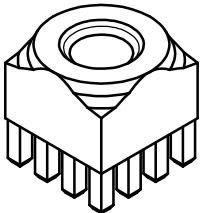
Schnitt A-A
cross section A-A



Layout - Vorschlag
PCB - Layout proposal
M 2:1
scale 2:1



M 2:1
scale 2:1



2-6µm Sn matt über 1-3µm Cu
2-6µm sn matt over 1-3µm cu

Ⓐ Oberfläche / plating

Information:	Tolerances	 All Dimensions in mm	Scale	5:1
	All rights reserved. Only for Information. To ensure that this is the latest version of this drawing, please contact one of the ERNI companies before using.		Subject to modification without prior notice. Drawing will not be updated.	Material:
 www.ERNI.com		Designation PowerElement female thread circular population M5		
	b Index	07.02.2018 Date	 www.ERNI.com	225689
		Class		POWELM