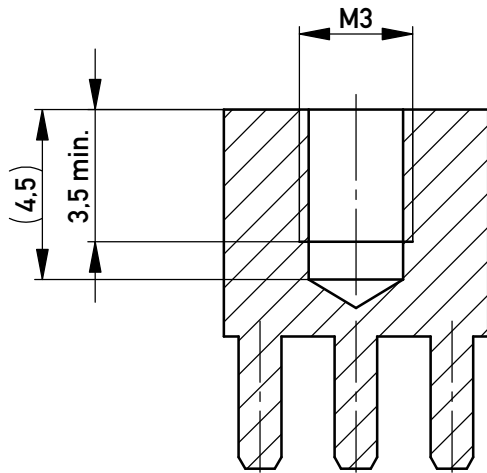
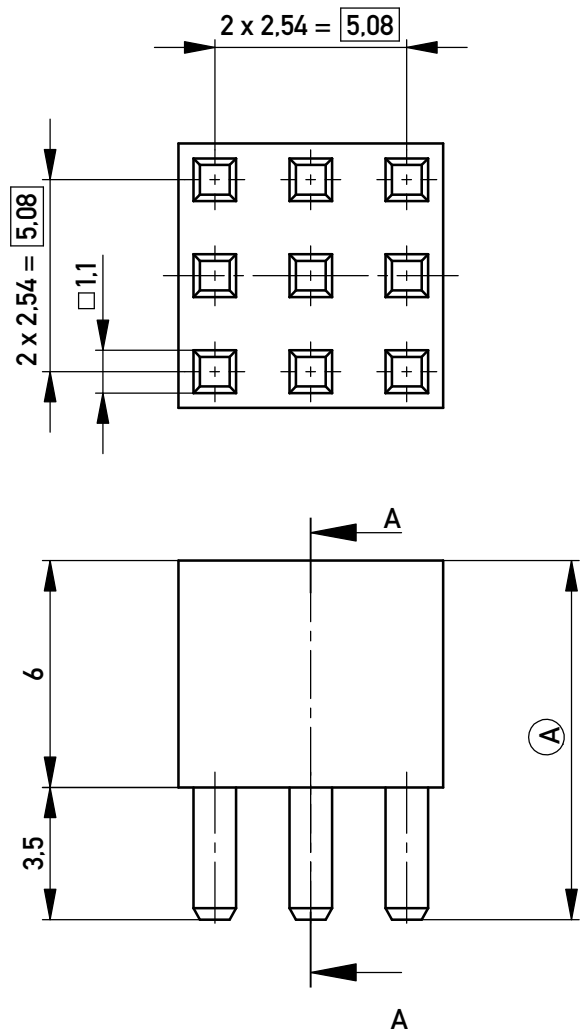


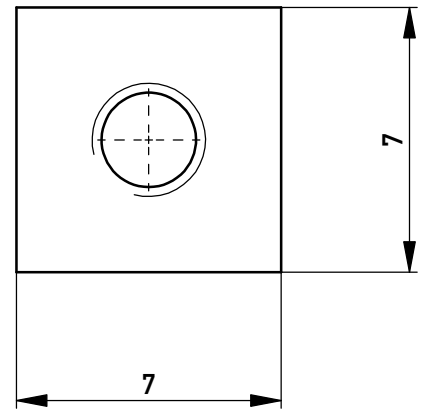
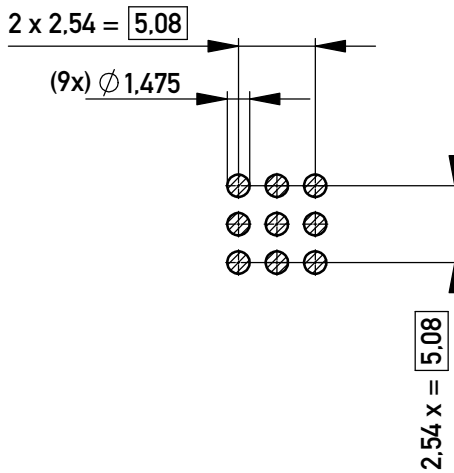
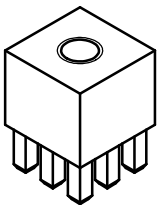
Schnitt A-A  
cross section A-A



Layout - Vorschlag  
PCB - Layout proposal  
M 2:1  
scale 2:1



M 2:1  
scale 2:1



2-6µm Sn matt über 1-3µm Cu  
2-6µm sn matt over 1-3µm cu

Ⓐ Oberfläche / plating

Copyright by ERNI Production GmbH & Co. KG  
Proprietary notice pursuant to ISO 16016 to be observed.

Information:		Tolerances		Scale 5:1	
All rights reserved. Only for Information. To ensure that this is the latest version of this drawing, please contact one of the ERNI companies before using.		 All Dimensions in mm		Material: CuZn39Pb3	
				Designation <b>PowerElement female thread</b> <b>full population M3</b>	
www.ERNI.com		<div style="text-align: center; font-size: 2em; font-weight: bold;">225681</div>		<div style="text-align: right;">I A4</div>	
<div style="display: flex; justify-content: space-between;"> <span>b</span> <span>07.02.2018</span> </div>					
Index		Date			