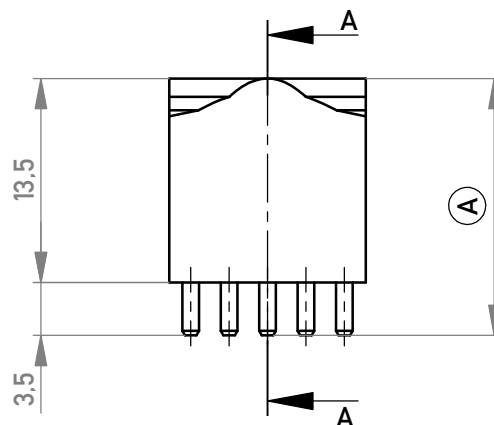
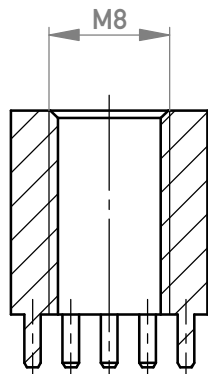
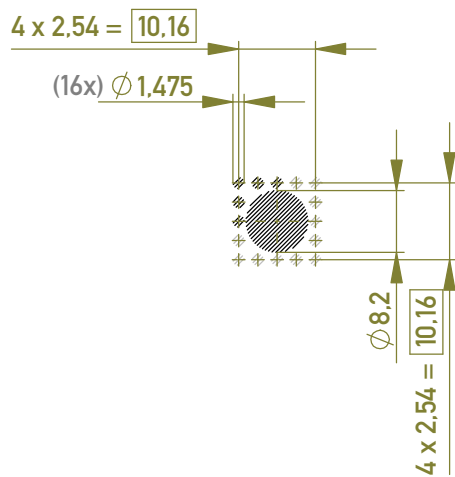


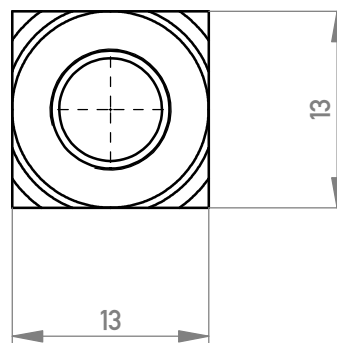
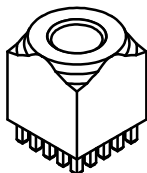
Schnitt A-A  
cross section A-A



Layout - Vorschlag  
PCB - Layout proposal  
M 1:1  
scale 1:1



M 1:1  
scale 1:1



2-6µm Sn matt über 1-3µm Cu  
2-6µm sn matt over 1-3µm cu

Ⓐ Oberfläche / plating

Information:		Tolerances	Scale: 2:1	Material: CuZn39Pb3
All rights reserved. Only for Information. To ensure that this is the latest version of this drawing, please contact one of the ERNI companies before using.		 All Dimensions in mm	Designation <b>PowerElement female thread</b> <b>circular population M8</b>	
 www.ERNI.com		<b>225691</b>		1
b	07.02.2018	Class: POWELM		A4
Index	Date			

Copyright by ERNI Production GmbH & Co. KG  
Proprietary notice pursuant to ISO 16016 to be observed.