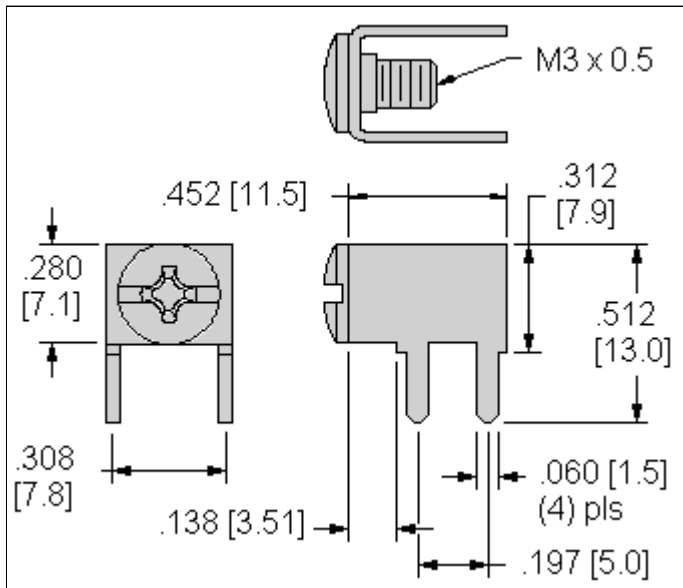




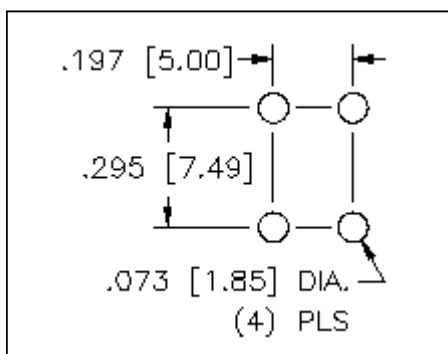
"Sturdi-Mount" Metric PCB Screw Terminals

M3 Threads

Horizontal PCB Mount Type



Mounting Detail



"Press In" PCB Mount Style		
Cat. No.	Screw Supplied	Screw Color
7760	Less Screw	None
7761	Unassembled	None
7761-2	Unassembled	Red
7761-3	Unassembled	Black
7761-4	Unassembled	White
7761-5	Unassembled	Blue
7761-6	Unassembled	Green
7761-7	Unassembled	Yellow
7762	Installed & Captivated	None
7762-2	Installed & Captivated	Red
7762-3	Installed & Captivated	Black
7762-4	Installed & Captivated	White
7762-5	Installed & Captivated	Blue
7762-6	Installed &	Green

	Captivated	
7762 -7	Installed & Captivated	Yellow
Specifications		
<p>Rated: 15 Amps</p> <p>Terminal: .032 [0.81mm] Thick Brass, Tin Plate</p> <p>Screw: Combination Binding Head - Brass, Nickel Plate</p> <p>Head of screw is painted with color as indicated in chart.</p>		

[Click to Request Samples](#)



© 2011 Keystone Electronics Corp. | 31-07 20th Road | Astoria, NY 11105 | 718-956-8900 | 800-221-5510 | 718-956-9040
fax | www.keyelco.com