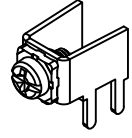
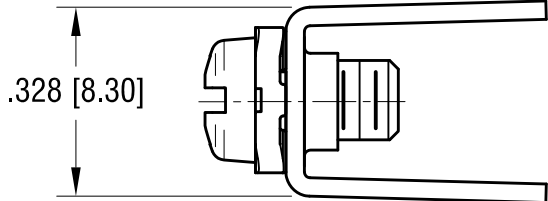
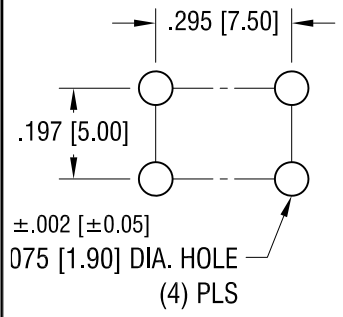


THIS DOCUMENT IS THE PROPERTY OF
KEYSTONE ELECTRONICS CORP. AND
SHALL NOT BE REPRODUCED, DISTRIBUTED
OR USED AS A BASIS FOR MANUFACTURE
WITHOUT PRIOR WRITTEN PERMISSION
FROM KEYSTONE ELECTRONICS CORP.

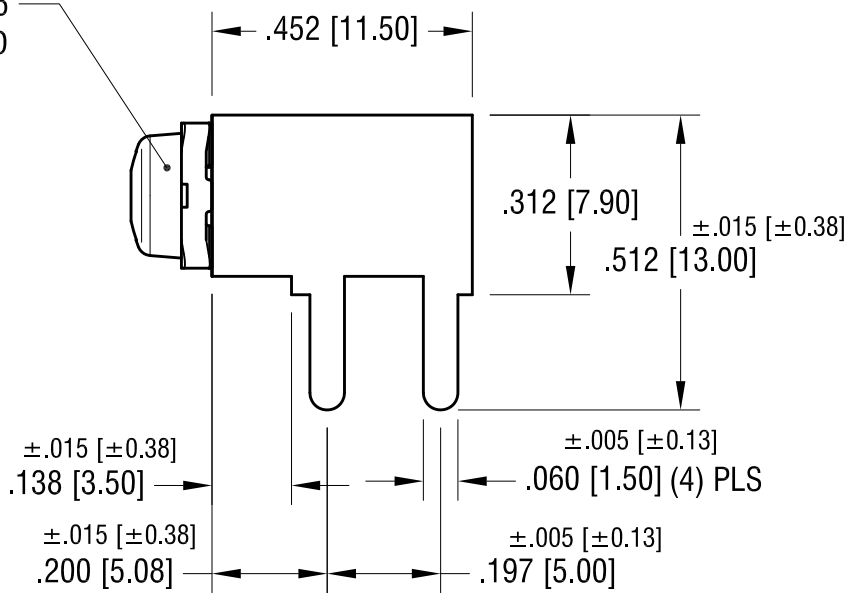
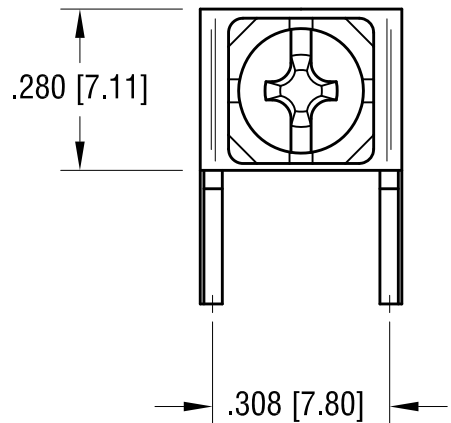
ACTUAL SIZE



MOUNTING DETAIL



COMBINATION
SEMS SCREW
M3 x 0.5
CAPTIVATED



NOTE:

1. TERMINAL:
MAT'L - .032 [0.81] TH'K BRASS, MATTE TIN PLATE
2. COMBINATION M3 x 0.5 SEMS SCREW CAPTIVATED
MAT'L - STEEL, NICKEL PLATE

| | | | |
|---|--------|--------------------------|------------------|
| KEYSTONE ELECTRONICS CORP. | | | |
| www.keyelco.com • ASTORIA, N.Y. 11105-2017 • Tel (718) 956-8900 | | | |
| PART NAME | | PC METRIC SCREW TERMINAL | |
| MATERIAL | | AS NOTED | |
| FINISH | | DRN BY | DATE |
| AS NOTED | | NT | 2.17.16 |
| | | APP'D | SCALE |
| | | LN | 3X |
| TOLERANCES | INCH | [MM] | CODE |
| DECIMAL | ± .010 | [± 0.25] | C |
| ANGULAR | ± 1° | | DWG NO. |
| UNLESS OTHERWISE SPECIFIED | | | 7762-SEMS |

| | | |
|------|-------------|------|
| DATE | DESCRIPTION | REV. |
| | | |