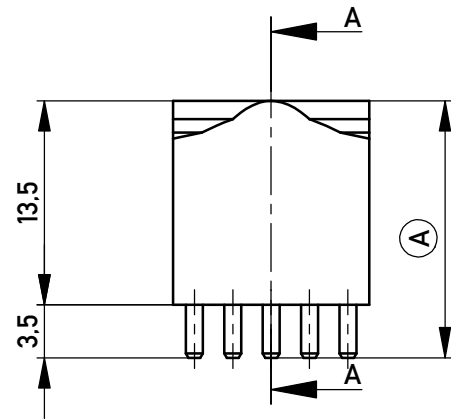
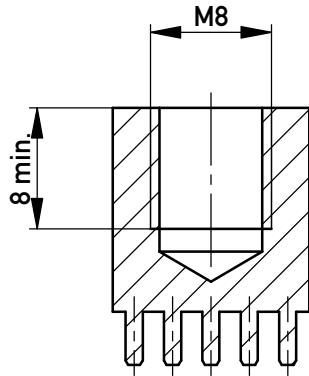
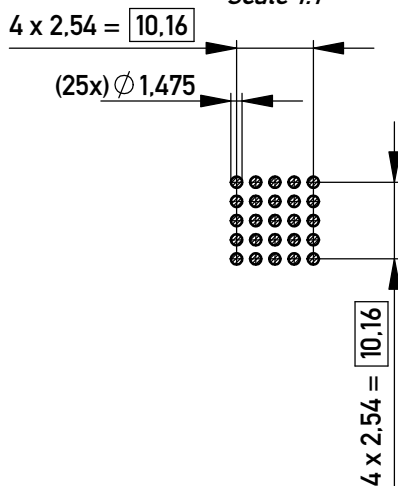


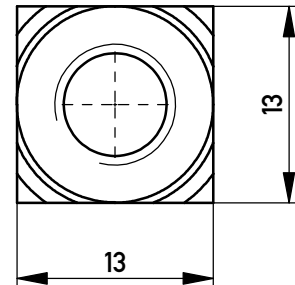
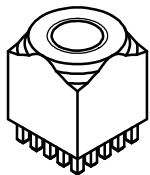
Schnitt A-A
cross section A-A



Layoutvorschlag
PBC-layout proposal
M 1:1
scale 1:1



M 1:1
scale 1:1



2-6µm Sn matt über 1-3µm Cu /
2-6µm sn matt over 1-3µm cu

Ⓐ Oberfläche / plating

Copyright by ERNI Production GmbH & Co. KG
Proprietary notice pursuant to ISO 16016 to be observed.

Information:		Tolerances	<p>All Dimensions in mm</p>	Scale 2:1	
All rights reserved. Only for Information. To ensure that this is the latest version of this drawing, please contact one of the ERNI companies before using.		Subject to modification without prior notice. Drawing will not be updated.		Material: CuZn39Pb3	
				Designation PowerElement female thread <i>full population M8</i>	
b	21.02.2018	www.ERNI.com		225685	
Index	Date			A4	
				Class	POWELM