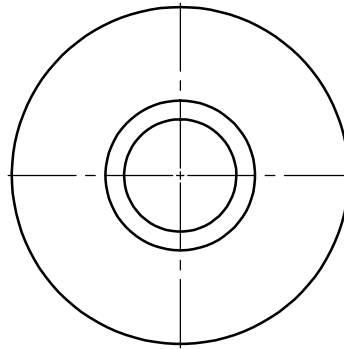
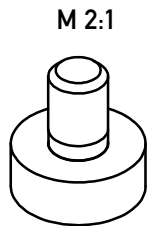
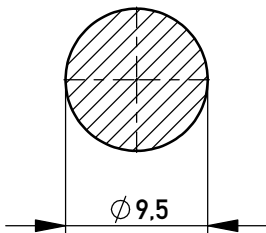


Layout - Vorschlag  
 PCB - Layout proposal  
 M 2:1  
 scale M 2:1



5-10 $\mu$ m Sn matt über 1-3 $\mu$ m Ni /  
 5-10 $\mu$ m sn matt over 1-3 $\mu$ m ni  
 Oberfläche(A) / plating(A)

Copyright by ERNI Production GmbH & Co. KG  
 Proprietary notice pursuant to ISO 16016 to be observed.

Information:		Tolerances		Scale	5:1
All rights reserved. Only for Information. To ensure that this is the latest version of this drawing, please contact one of the ERNI companies before using.		Subject to modification without prior notice. Drawing will not be updated.		Material:	CuZn39Pb3
b		28.06.2017		Designation	
Index	Date	www.ERNI.com		PowerElement SMD male thread M4	
				225851	I A4
				Class	POWELM