

Messrs. Digi-Key Corporation

## APPROVAL SHEET

(KYOCERA CORPORATION SAW FILTER SPECIFICATION)

Kindly send us back a copy of this specification sheet with your signature.  
The specification shall be regarded as "APPROVED" unless we receive your disagreement or counterproposal before your placement of initial order for the part number specified.

Part No.:SF16-0953M4UU01

Jan,17,2011

RoHS Compliant (Pb-Free)



Approved

  
 QA

Approved

  
 Engineering

Approved

  
 Production

Prepared

  
 Engineering

## 1.Scope

This specification shall cover the characteristics of the RF SAW filter.

## 2.Customer's Part No.

## 3.KYOCERA's Part No.

SF16-0953M4UU01

SF 16 – 0953 M 4 UU 01

Series    Package Size    Frequency    Application    Terminals    In/Out Condition    Custom Specification

## 4.Electrical Characteristics

Terminating Source Impedance : 50 ohms , Single-ended

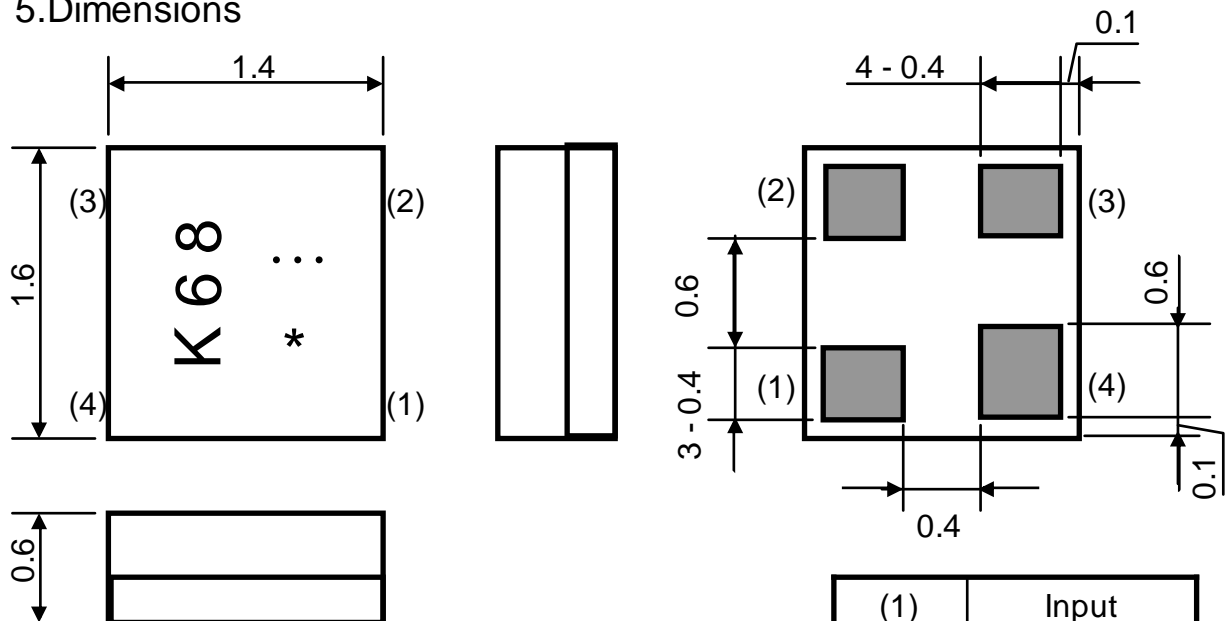
Terminating Load Impedance : 50 ohms , Single-ended

Table.1

Items	Frequency Range	Unit	Spec.			
			min.	typ.	max.	
4-1	Nominal Frequency	-----	MHz	-	953	-
4-2	Maximum Insertion Loss	950 to 956 MHz	dB	-	2.5	3.0
4-3	Amplitude Ripple(P-P)	950 to 956 MHz	dB	-	0.1	2.0
4-4	Input VSWR	950 to 956 MHz		-	1.4	2.5
	Output VSWR	950 to 956 MHz		-	1.4	2.5
4-5	Absolute Attenuation	0.3 to 911 MHz	dB	30	43	-
		911 to 931 MHz	dB	20	38	-
		931 to 936 MHz	dB	15	45	-
		936 to 943 MHz	dB	3	12	-
		964 to 971 MHz	dB	3	10	-
		971 to 976 MHz	dB	10	28	-
		976 to 1025 MHz	dB	27	36	-
4-6	Maximum Input Power		dBm	+12		
4-7	Operating Temperature		deg.C	-30 to +85		
4-8	Storage Temperature		deg.C	-40 to +95		

Specifications can change owing to product and/or technical improvements.

## 5. Dimensions



Unit:mm

Tol:±0.1mm

The degree of terminal flat : 0.10mm Max.

Terminal quality of the material : Ni Plating + Au Plating

K:Kyocera

68:Part Number

\*:Monthly Code

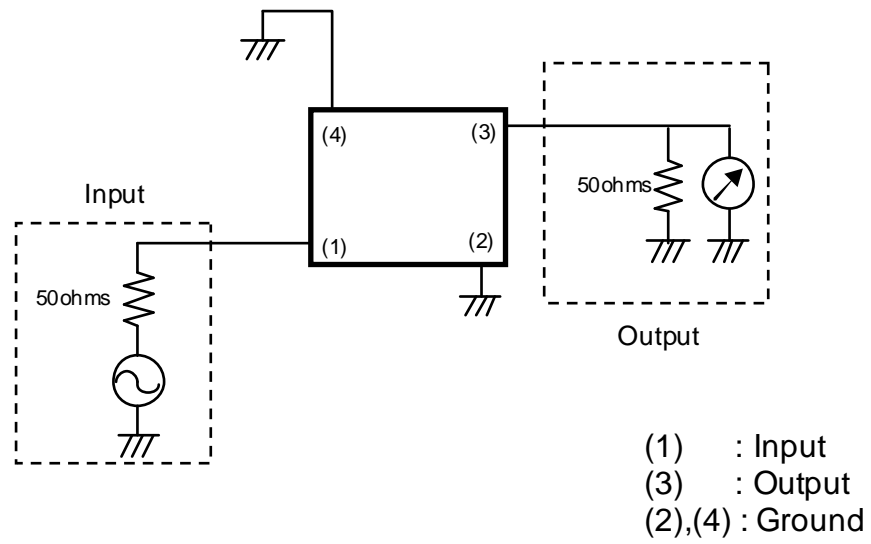
: Weekly Code(: 1st-10th, : 11th-20th, . 21th-31th)

(1)	Input
(2)	GND
(3)	Output
(4)	GND

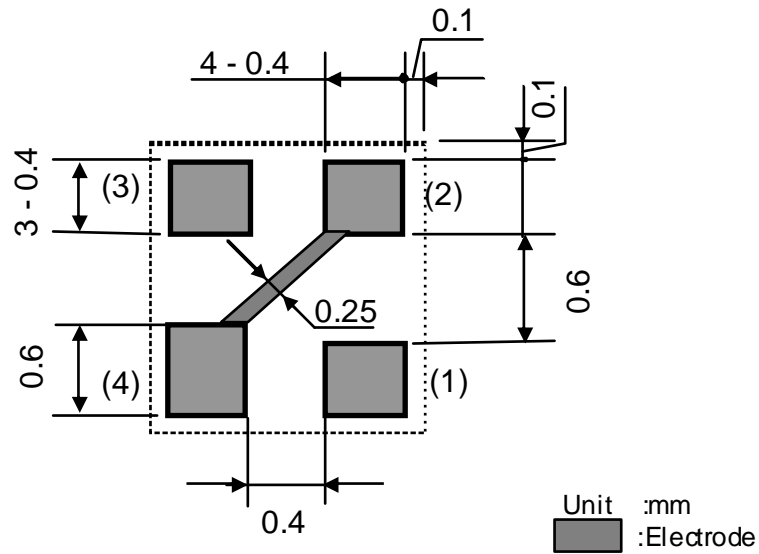
Table2 Monthly Code Production

Year	Month	Code	Year	Month	Code
2011	1	a	2009	1	A
2015	2	b	2013	2	B
	3	c		3	C
	4	d		4	D
	5	e		5	E
	6	f		6	F
	7	g		7	G
	8	h		8	H
	9	j		9	J
	10	k		10	K
	11	l		11	L
	12	m		12	M
2012	1	n	2010	1	N
2016	2	p	2014	2	P
	3	q		3	Q
	4	r		4	R
	5	s		5	S
	6	t		6	T
	7	u		7	U
	8	v		8	V
	9	w		9	W
	10	x		10	X
	11	y		11	Y
	12	z		12	Z

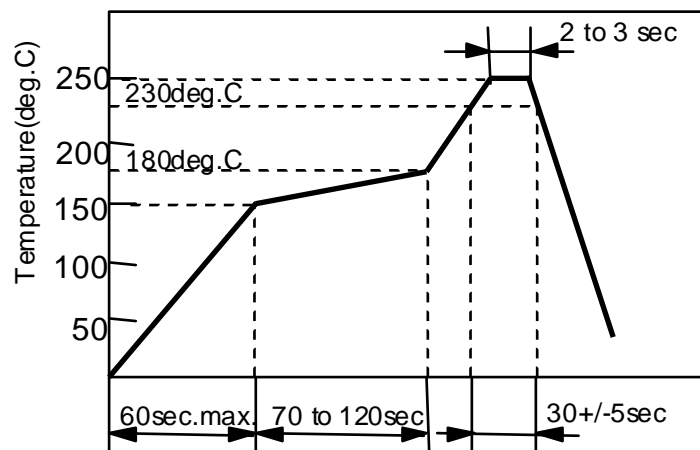
## 6.Measurement Circuit



## 7.Recommendable Land Pattern



## 8.Recommendable Reflow Soldering Profile

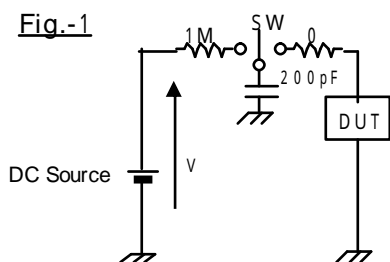


### IR REFLOW SOLDERING

Temperature measurement point is surface of glass epoxy circuit board of 0.8mm thickness.

## 9.Environmental Characteristics

Item	Condition
Humidity	Subject the filter to 60+/-2 deg.C and 90%RH to 95%RH for 100 hours. Then, release the filter into the room conditions for 2 hours minimum to the measurement. It shall fulfill the specifications in Table 1.
High Temperature Storage	Subject the filter to 85+/-2 deg.C for 100 Hours. Then, release the filter into the room conditions for 2 hours minimum to the measurement. It shall fulfill the specifications in Table 1.
Low Temperature Storage	Subject the filter to -40+/-2 deg.C for 100Hours. Then, release the filter into the room conditions for 2 hours minimum to the measurement. It shall fulfill the specifications in Table 1.
Resistance to Reflow Solder Heat	Expose filter to increasing temperature with a minimum total exposure above 230 deg.C of 30+/-5 seconds and must include 2-3 seconds at peak temperature of 250 deg.C, twice. Then, release the filter into the room conditions for 2 hours minimum to the measurement. It shall fulfill the specifications in Table 1.
Temperature Cycle	10 Cycles (1 cycles:-40 deg.C for 30minutes then 25 deg.C for 15minutes then 85 deg.C for 30minutes.) An examination is done under the evaluation circuit board mounting condition. Then, release the filter into the room conditions for 2 hours minimum to the measurement. It shall fulfill the specifications in Table 1.
Vibration	Subject the filter to vibration for 2hour each In the X,Y and Z axes with the amplitude of 1.5m m, 10 to 55 Hz/min. It shall fulfill the specifications in Table 1.
Mechanical Shock1	Subject the filter to 3 shocks in each direction of six mutually perpendicular planes (a total of 18 shocks). Each shock shall be a sine wave shaped with a magnitude of 100 G and a duration of 6 mseconds. It shall fulfill the specifications in Table 1.
Mechanical Shock2	Drop the filter randomly onto a concrete floor from the Height of 1m, 3 times. It shall fulfill the specifications in Table 1.
ESD	A direct current voltage is increased to DEVICE mounted on the evaluation circuit board. The failure rate which occurred by the direct current voltage is investigated.A direct current voltage begins from 39V. As for the voltage,it increses with step of E12 series.A failure voltage is prescribed in the direct current voltage that an accumulate trouble rate is 0.1%.It is judged with the trouble when increase in the insertion loss occurs beyond 0.3dB before and after the examination.A failure voltage is more than 50V. ( Fig.-1 )



ESD TEST Circuit( Machine Model)

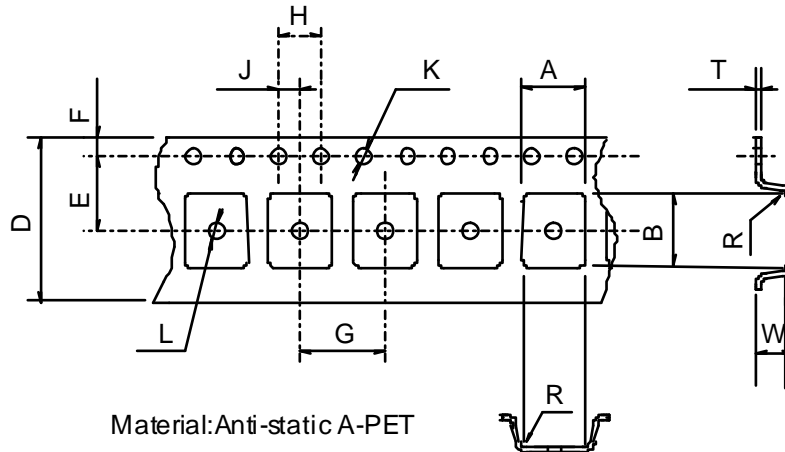
## 10.Taping Specification

### 10-1.Tape

#### 10-1-1. Tape Material

Polycarbonate(EC-AP), or PS materials ( conductivity type ).

#### 10-1-2. Tape Dimensions



Material:Anti-static A-PET

Part	A	B	D	E	F
Dimension	1.85+/-0.1	1.90+/-0.1	8.0+/-0.2	3.5+/-0.05	1.75+/-0.1
Part	G	H	J	K	L
Dimension	4.0+/-0.1	4.0+/-0.1	2.0+/-0.05	1.5+/-0.1	1.1+/-0.1
Part	R	W	T		
Dimension	0.3 MAX	0.95+/-0.2	0.25+/-0.05	Unit[mm]	

\* W Dimension is depth of pockets.

### 10-2.Taping

#### 10-2-1.Taping Quantity

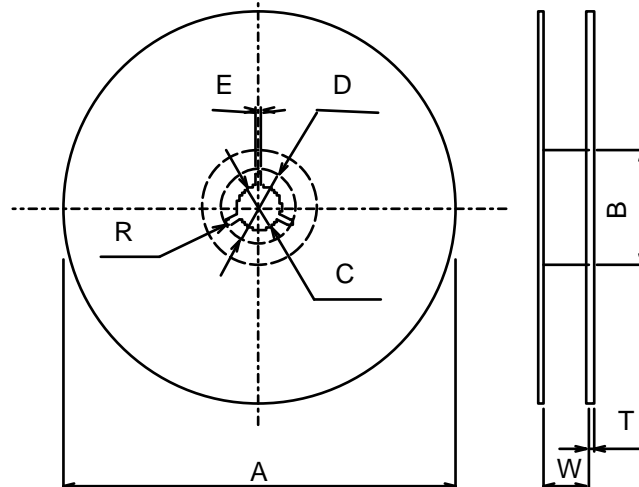
One reel of tape shall pack 3,000 filters maximum.

No filter shall be missing and contained continuously in pocket.

#### 10-2-2. Reel Material

Polystyrene + Carbon ( conductivity type )

#### 10-2-3.Reel Dimensions



Part	A	B	C	D
Dimension	178+/-2	60+/-2	13+/-0.2	21+/-0.8
Part	E	R	W	T
Dimension	2+/-0.5	R 1	9.5+/-1	2.0+/-0.2

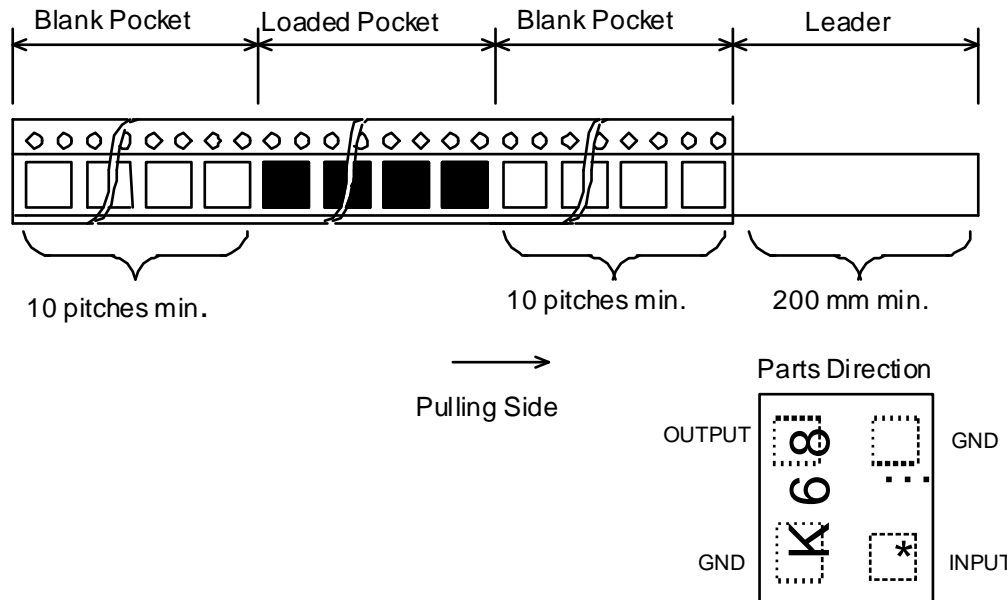
Unit[mm]



## 10-2-4 Leader and blank pocket

Package shall consist of Leader and Blank Pocket as follows.

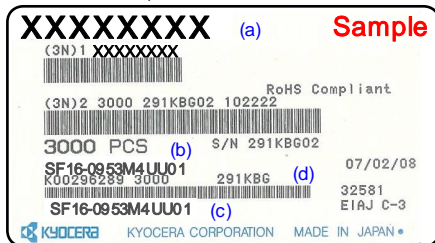
The power peeling top from carrier shall be 0.098N to 0.98N.



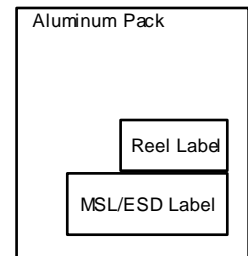
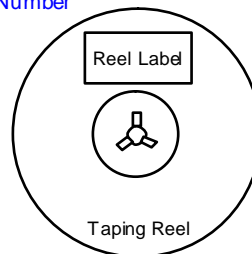
## 10-2-5 Reel Label

The following contents are indicated in a reel.

## Reel Label ( EIAJ-C3 Label )



- (a) Customer Parts Number
- (b) Quantity
- (c) Parts Name
- (d) Lot number
- (e) Shipping date

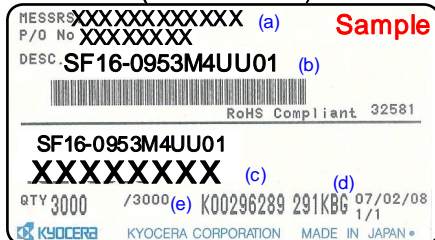


## 10-2-6 Packing case Label

During transportation, after packing into an aluminum bag for every reel so that a damage and moisture absorption may not be given to a product, it puts into a packing box.

The following contents are indicated in a packing case.

## Box Label ( EIAJ-C3 Label )

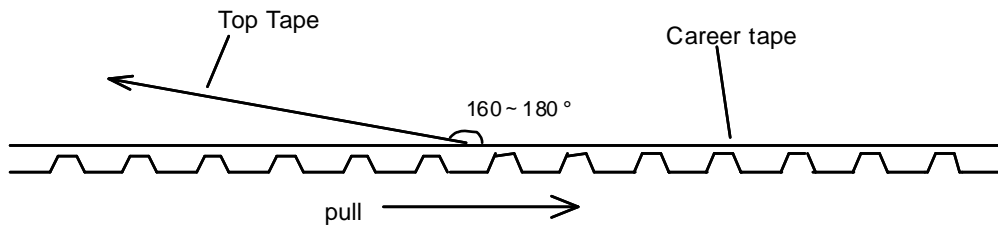


- (a) Customer name
- (b) Parts name
- (c) Customer Parts number
- (d) Lot number
- (e) Quantity
- (f) Shipping date

### 12-2-7 Taping flaking off strength Test

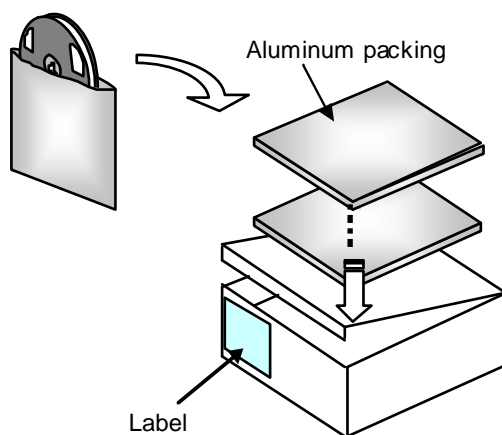
Test Condition : 120mm/min 160-180deg

Range of strength : 0.098 – 0.98 N



### 12-2-8 Packing form

The reel is packed in aluminum, and it is packed to the box.



MSL/ESD Label

## 13. Precaution in handling

Please handle with below condition.

1. Calculated shelf life in sealed bag: 6 months at 40 and 90% relative humidity (RH) .
2. After bag is opened, devices should be mounted within 168 hours of factory conditions 30 / 60% RH.  
Exposed over 168 hours parts are recommended to make pre treatment of 60 1 hour baking just before use. (In case left further longer since unpacked, please check solderability before use.)
3. Expiration date : 6 months from sealing date, which is imprinted on the adjacent bar code label.
4. This components are static sensitivity parts. Please handle with care.
5. On circuit design, it is strongly recommended to put DC cut capacitor for this SAW filter.
7. This component can not be used in resin molding.