

FEATURES

- **High Linearity:**
0.02% Linearity Allows Simple System Calibration
- **Wide Input Bandwidth:**
Bandwidth to 1% Additional Gain Error: 500kHz
Bandwidth to 0.1% Additional Gain Error: 150kHz
3dB Bandwidth Independent of Input Voltage Amplitude
- **No-Hassle Simplicity:**
True RMS-DC Conversion with Only One External Capacitor
Delta Sigma Conversion Technology
- **Ultralow Shutdown Current:**
0.1 μ A
- **Flexible Inputs:**
Differential or Single Ended
Rail-to-Rail Common Mode Voltage Range
Up to 1V_{PEAK} Differential Voltage
- **Flexible Output:**
Rail-to-Rail Output
Separate Output Reference Pin Allows Level Shifting
- **Small Size:**
Space Saving 8-Pin MSOP Package

APPLICATIONS

- True RMS Digital Multimeters and Panel Meters
- True RMS AC + DC Measurements

DESCRIPTION

The LTC[®]1968 is a true RMS-to-DC converter that uses an innovative delta-sigma computational technique. The benefits of the LTC1968 proprietary architecture, when compared to conventional log-antilog RMS-to-DC converters, are higher linearity and accuracy, bandwidth independent of amplitude and improved temperature behavior.

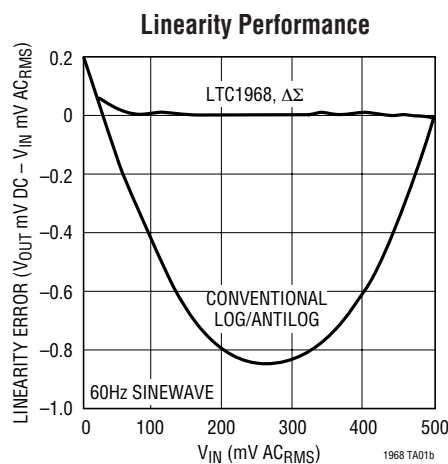
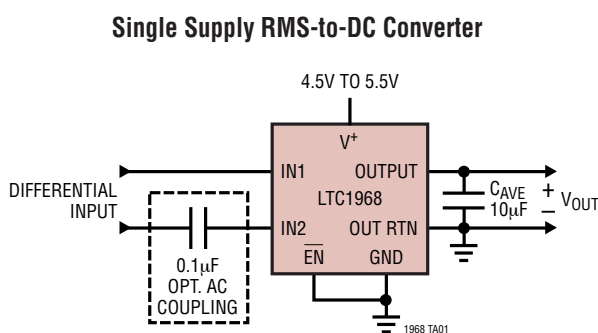
The LTC1968 operates with single-ended or differential input signals and accurately supports crest factors up to 4. Common mode input range is rail-to-rail. Differential input range is 1V_{PEAK}, and offers unprecedented linearity. The LTC1968 allows hassle-free system calibration at any input voltage.

The LTC1968 has a rail-to-rail output with a separate output reference pin providing flexible level shifting; it operates on a single power supply from 4.5V to 5.5V. A low power shutdown mode reduces supply current to 0.1 μ A.

The LTC1968 is packaged in the space-saving MSOP package, which is ideal for portable applications.

LT, LTC and LT are registered trademarks of Linear Technology Corporation. Protected under U.S. Patent Numbers 6,359,576, 6,362,677 and 6,516,291

TYPICAL APPLICATION



ABSOLUTE MAXIMUM RATINGS

(Note 1)

Supply Voltage	
V ⁺ to GND	6V
Input Currents (Note 2)	±10mA
Output Current (Note 3)	±10mA
ENABLE Voltage	-0.3V to 6V
OUT RTN Voltage	-0.3V to V ⁺
Operating Temperature Range (Note 4)	
LTC1968C/LTC1968I	-40°C to 85°C
Specified Temperature Range (Note 5)	
LTC1968C/LTC1968I	-40°C to 85°C
Maximum Junction Temperature	150°C
Storage Temperature Range	-65°C to 150°C
Lead Temperature (Soldering, 10 sec)	300°C

PACKAGE/ORDER INFORMATION

	ORDER PART NUMBER
	LTC1968CMS8 LTC1968IMS8
	MS8 PART MARKING
	LTAFG

Consult LTC Marketing for parts specified with wider operating temperature ranges. The temperature grade (I or C) is indicated on the shipping container.

ELECTRICAL CHARACTERISTICS

The ● denotes specifications which apply over the full operating temperature range, otherwise specifications are T_A = 25°C. V⁺ = 5V, V_{OUTRTN} = 2.5V, C_{AVE} = 10μF, V_{IN} = 200mV_{RMS}, V_{ENABLE} = 0.5V unless otherwise noted.

SYMBOL	PARAMETER	CONDITIONS	MIN	TYP	MAX	UNITS
Conversion Accuracy						
G _{ERR}	Low Frequency Gain Error	50Hz to 20kHz Input (Notes 6, 7)		±0.1	±0.3 ±0.4	% %
V _{OOS}	Output Offset Voltage	(Notes 6, 7)		0.2	0.75	mV
ΔV _{OOS} /ΔT	Output Offset Voltage Drift	(Note 11)	●	2	10	μV/°C
LIN _{ERR}	Linearity Error	50mV to 350mV (Notes 7, 8)	●	±0.02	±0.15	%
PSRRG	Power Supply Rejection	(Note 9)	●	±0.02	±0.20 ±0.25	%/V %/V
V _{IOS}	Input Offset Voltage	(Notes 6, 7, 10)		0.4	1.5	mV
ΔV _{IOS} /ΔT	Input Offset Voltage Drift	(Note 11)	●	2	10	μV/°C
Additional Error vs Crest Factor (CF)						
	CF = 3	60Hz Fundamental, 200mV _{RMS}	●	0.2		mV
	CF = 5	60Hz Fundamental, 200mV _{RMS}	●	5		mV
Input Characteristics						
V _{IMAX}	Maximum Peak Input Swing	Accuracy = 1% (Note 14)	●	1	1.05	V
I _{VR}	Input Voltage Range		●	0	V ⁺	V
Z _{IN}	Input Impedance	Average, Differential (Note 12) Average, Common Mode (Note 12)		1.2 100		MΩ MΩ
CMRRI	Input Common Mode Rejection	(Note 13)	●	50	400	μV/V
V _{IMIN}	Minimum RMS Input		●		5	mV
PSRRI	Power Supply Rejection	(Note 9)	●	250	700	μV/V

ELECTRICAL CHARACTERISTICS The ● denotes specifications which apply over the full operating temperature range, otherwise specifications are $T_A = 25^\circ\text{C}$. $V^+ = 5\text{V}$, $V_{\text{OUTRTN}} = 2.5\text{V}$, $C_{\text{AVE}} = 10\mu\text{F}$, $V_{\text{IN}} = 200\text{mV}_{\text{RMS}}$, $\overline{V_{\text{ENABLE}}} = 0.5\text{V}$ unless otherwise noted.

SYMBOL	PARAMETER	CONDITIONS	MIN	TYP	MAX	UNITS	
Output Characteristics							
OVR	Output Voltage Range		●	0	V^+	V	
Z_{OUT}	Output Impedance	(Note 12)	●	10	12.5	16	$\text{k}\Omega$
CMRRO	Output Common Mode Rejection	(Note 13)	●		50	250	$\mu\text{V}/\text{V}$
V_{OMAX}	Maximum Differential Output Swing	Accuracy = 1%, DC Input (Note 14)	●	1.0 0.9	1.05		V V
PSRRO	Power Supply Rejection	(Note 9)	●		250	1000	$\mu\text{V}/\text{V}$
Frequency Response							
$f_{1\text{P}}$	1% Additional Gain Error (Note 15)				500		kHz
$f_{-3\text{dB}}$	$\pm 3\text{dB}$ Frequency (Note 15)				15		MHz
Power Supplies							
V^+	Supply Voltage		●	4.5		5.5	V
I_S	Supply Current	IN1 = 20mV, IN2 = 0V IN1 = 200mV, IN2 = 0V	●		2.3 2.4	2.7	mA mA
Shutdown Characteristics							
I_{SS}	Supply Current	$\overline{V_{\text{ENABLE}}} = 4.5\text{V}$	●		0.1	10	μA
I_{IH}	ENABLE Pin Current High	$\overline{V_{\text{ENABLE}}} = 4.5\text{V}$	●	-1	-0.1		μA
I_{IL}	ENABLE Pin Current Low	$\overline{V_{\text{ENABLE}}} = 0.5\text{V}$	●	-3	-0.5	-0.1	μA
V_{TH}	ENABLE Threshold Voltage				2.1		V
V_{HYS}	ENABLE Threshold Hysteresis				0.1		V

Note 1: Absolute Maximum Ratings are those values beyond which the life of a device may be impaired.

Note 2: The inputs (IN1, IN2) are protected by shunt diodes to GND and V^+ . If the inputs are driven beyond the rails, the current should be limited to less than 10mA.

Note 3: The LTC1968 output (V_{OUT}) is high impedance and can be overdriven, either sinking or sourcing current, to the limits stated.

Note 4: The LTC1968C/LTC1968I are guaranteed functional over the operating temperature range of -40°C to 85°C .

Note 5: The LTC1968C is guaranteed to meet specified performance from 0°C to 70°C . The LTC1968C is designed, characterized and expected to meet specified performance from -40°C to 85°C but is not tested nor QA sampled at these temperatures. The LTC1968I is guaranteed to meet specified performance from -40°C to 85°C .

Note 6: High speed automatic testing cannot be performed with $C_{\text{AVE}} = 10\mu\text{F}$. The LTC1968 is 100% tested with $C_{\text{AVE}} = 47\text{nF}$.

Note 7: The LTC1968 is 100% tested with DC and 10kHz input signals. Measurements with DC inputs from 50mV to 350mV are used to calculate the four parameters: G_{ERR} , V_{OOS} , V_{IOS} and linearity error. Correlation tests have shown that the performance limits can be guaranteed with the additional testing being performed to guarantee proper operation of all internal circuitry.

Note 8: The LTC1968 is inherently very linear. Unlike older log/antilog circuits, its behavior is the same with DC and AC inputs, and DC inputs are used for high speed testing.

Note 9: The power supply rejections of the LTC1968 are measured with DC inputs from 50mV to 350mV. The change in accuracy from $V^+ = 4.5\text{V}$ to $V^+ = 5.5\text{V}$ is divided by 1V.

Note 10: Previous generation RMS-to-DC converters required nonlinear input stages as well as a nonlinear core. Some parts specify a "DC reversal error," combining the effects of input nonlinearity and input offset voltage. The LTC1968 behavior is simpler to characterize and the input offset voltage is the only significant source of "DC reversal error."

Note 11: Guaranteed by design.

Note 12: The LTC1968 is a switched capacitor device and the input/output impedance is an average impedance over many clock cycles. The input impedance will not necessarily lead to an attenuation of the input signal measured. Refer to the Applications Information section titled "Input Impedance" for more information.

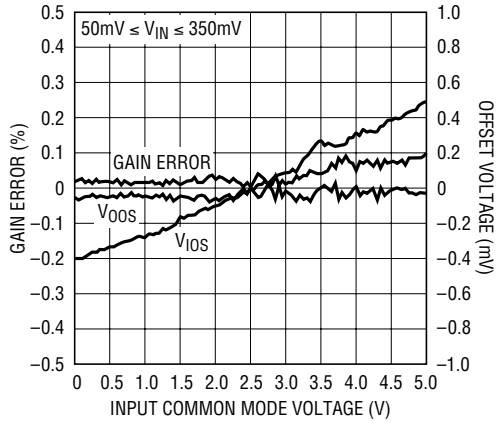
Note 13: The common mode rejection ratios of the LTC1968 are measured with DC inputs from 50mV to 350mV. The input CMRR is defined as the change in V_{IOS} measured with the input common mode voltage at 0V and V^+ , divided by V^+ . The output CMRR is defined as the change in V_{OOS} measured with $\text{OUT RTN} = 0\text{V}$ and $\text{OUT RTN} = V^+ - 350\text{mV}$ divided by $V^+ - 350\text{mV}$.

Note 14: The LTC1968 input and output voltage swings are limited by internal clipping. However, its $\Delta\Sigma$ topology is relatively tolerant of momentary internal clipping.

Note 15: The LTC1968 exploits oversampling and noise shaping to reduce the quantization noise of internal 1-bit analog-to-digital conversions. At higher input frequencies, increasingly large portions of this noise are aliased down to DC. Because the noise is shifted in frequency, it becomes a low frequency rumble and is only filtered at the expense of increasingly long settling times. The LTC1968 is inherently wideband, but the output accuracy is degraded by this aliased noise.

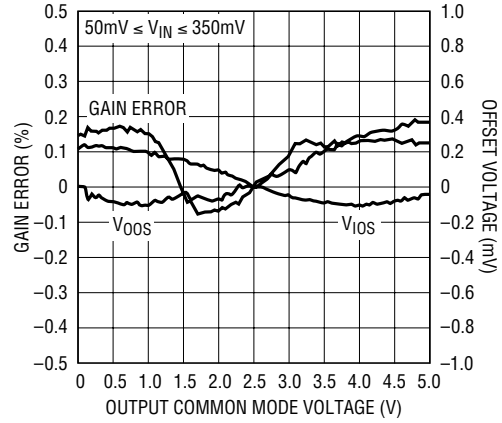
TYPICAL PERFORMANCE CHARACTERISTICS

Gain and Offset vs Input Common Mode Voltage



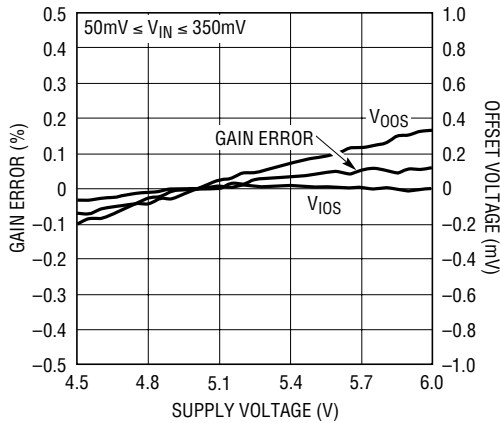
1968 G01

Gain and Offset vs Output Common Mode Voltage



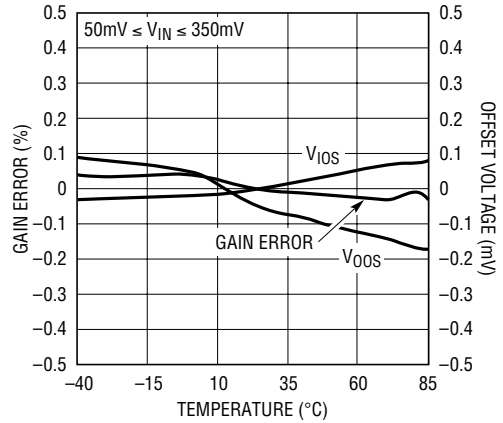
1968 G02

Gain and Offset vs Supply Voltage



1968 G03

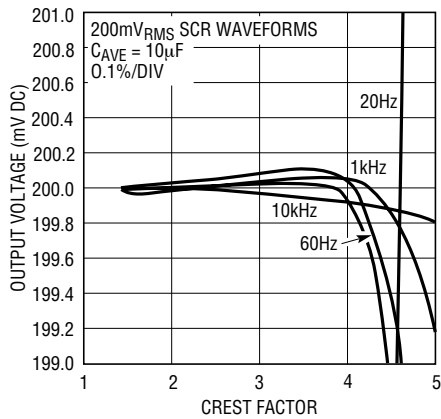
Gain and Offset vs Temperature



1968 G04

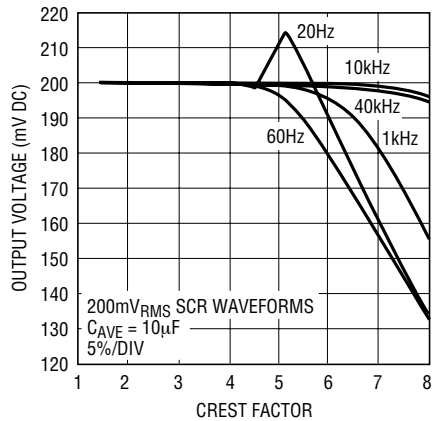
TYPICAL PERFORMANCE CHARACTERISTICS

Performance vs Crest Factor



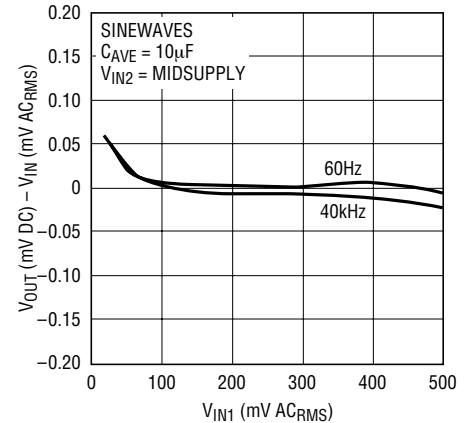
1968 G05

Performance vs Large Crest Factor



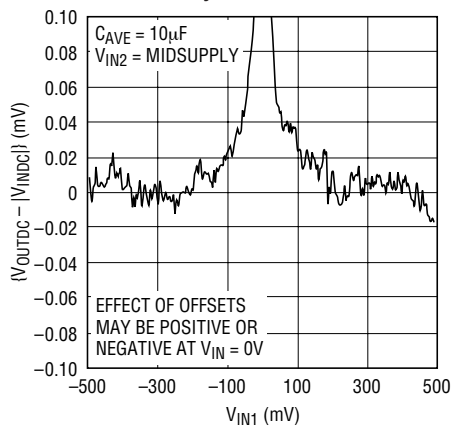
1968 G06

AC Linearity



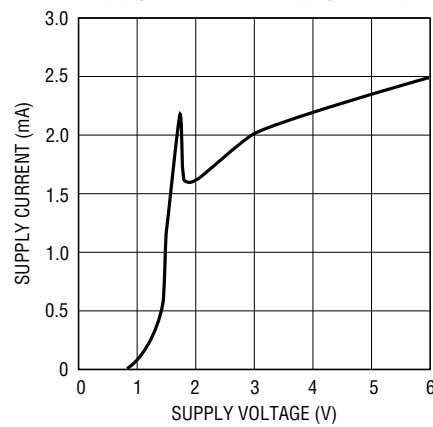
1968 G07

DC Linearity



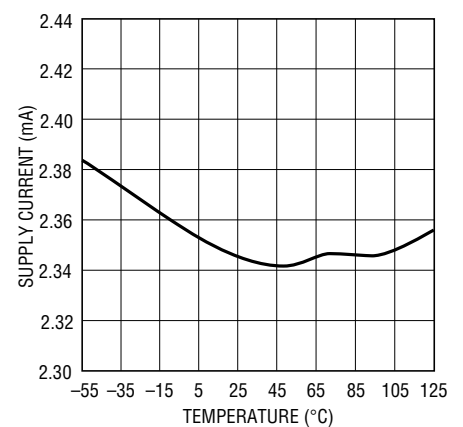
1968 G08

Supply Current vs Supply Voltage



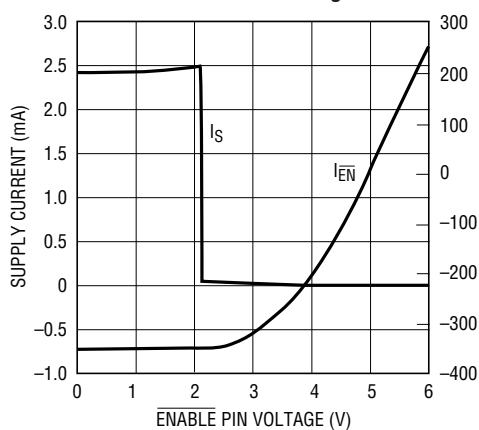
1968 G09

Supply Current vs Temperature



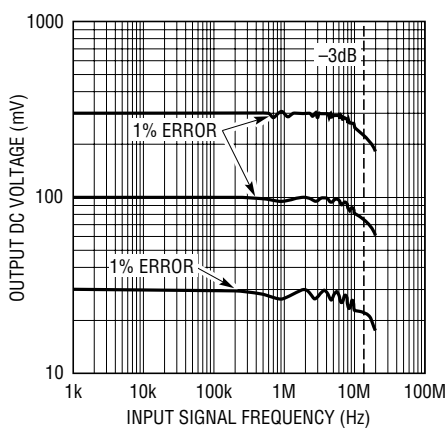
1968 G10

Power Supply and ENABLE Pin Current vs ENABLE Voltage



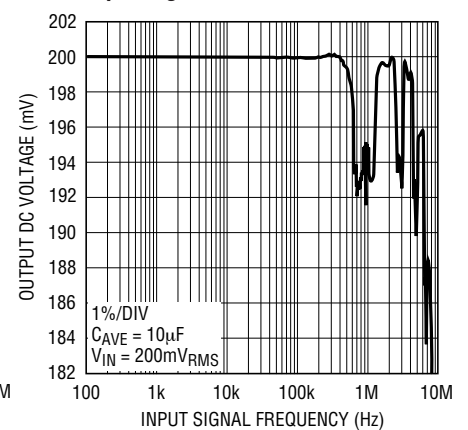
1968 G11

Input Signal Bandwidth vs RMS Value



1968 G12

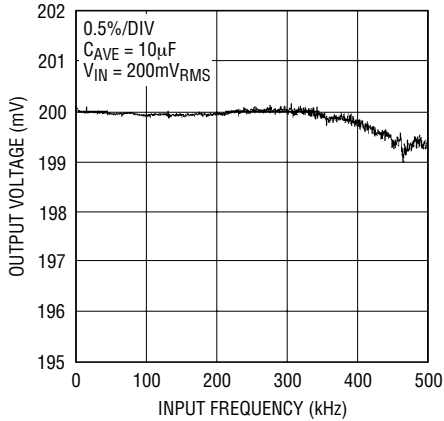
Input Signal Bandwidth



1968 G13

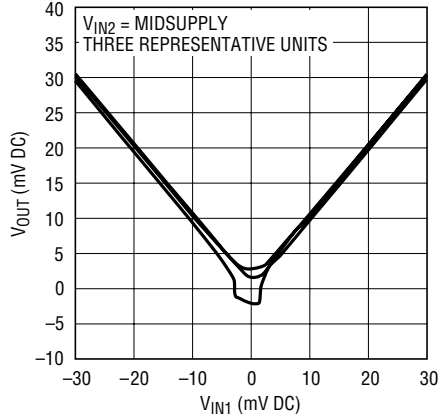
TYPICAL PERFORMANCE CHARACTERISTICS

Bandwidth to 500kHz



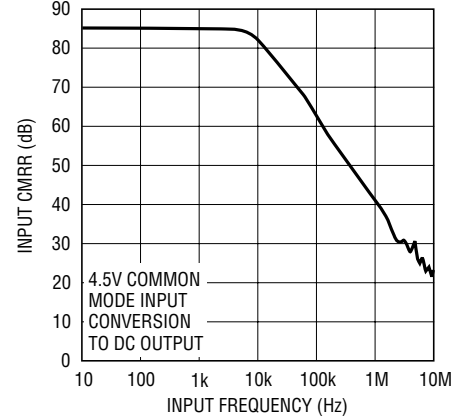
1968 G14

DC Transfer Function Near Zero



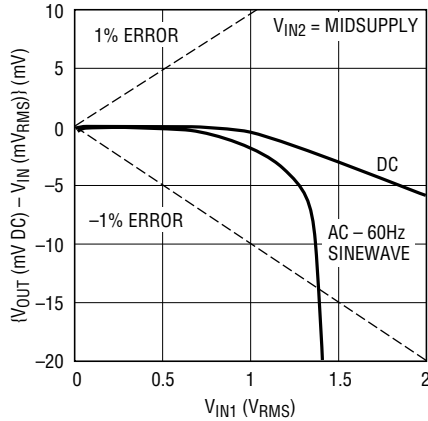
1968 G15

Input Common Mode Rejection Ratio vs Frequency



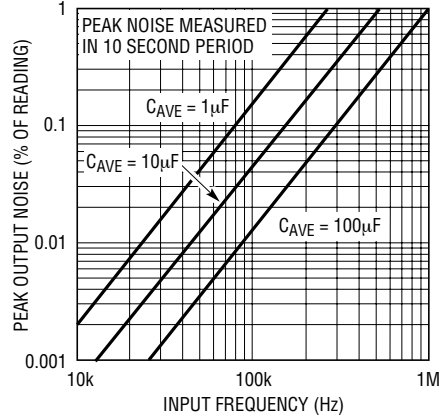
1967 G16

Output Accuracy vs Signal Amplitude



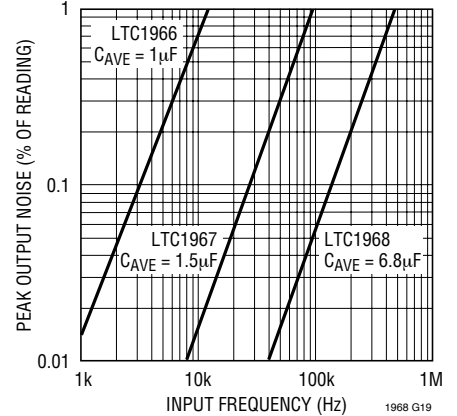
1967 G17

Output Noise vs Input Frequency



1967 G18

Output Noise vs Device



1968 G19

AVE CAPACITOR CHOSEN FOR EACH DEVICE TO GIVE A 1 SECOND, 0.1% SETTLING TIME

PIN FUNCTIONS

GND (Pin 1): Ground. The power return pin.

IN1 (Pin 2): Differential Input. DC coupled (polarity is irrelevant).

IN2 (Pin 3): Differential Input. DC coupled (polarity is irrelevant).

V_{OUT} (Pin 5): Output Voltage. Pin 5 is high impedance. The RMS averaging is accomplished with a single shunt capacitor from Pin 5 to OUT RTN. The transfer function is given by:

$$(V_{OUT} - OUT\ RTN) = \sqrt{\text{Average} \left[(IN2 - IN1)^2 \right]}$$

OUT RTN (Pin 6): Output Return. The output voltage is created relative to this pin. The V_{OUT} and OUT RTN pins are not balanced and this pin should be tied to a low impedance, both AC and DC. Although Pin 6 is often tied to GND, it can also be tied to any arbitrary voltage:

$$GND < OUT\ RTN < (V^+ - \text{Max Output})$$

V⁺ (Pin 7): Positive Voltage Supply. 4.5V to 5.5V.

ENABLE (Pin 8): An Active-Low Enable Input. LTC1968 is debiased if open circuited or driven to V⁺. For normal operation, pull to GND.

APPLICATIONS INFORMATION

RMS-TO-DC CONVERSION

Definition of RMS

RMS amplitude is the consistent, fair and standard way to measure and compare dynamic signals of all shapes and sizes. Simply stated, the RMS amplitude is the heating potential of a dynamic waveform. A 1V_{RMS} AC waveform will generate the same heat in a resistive load as will 1V DC.

Mathematically, RMS is the “Root of the Mean of the Square”:

$$V_{RMS} = \sqrt{V^2}$$

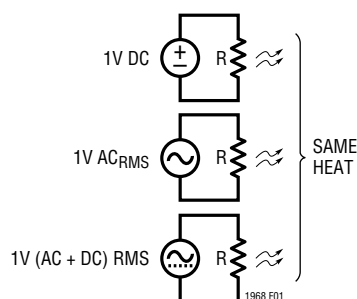


Figure 1

Alternatives to RMS

Other ways to quantify dynamic waveforms include peak detection and average rectification. In both cases, an average (DC) value results, but the value is only accurate at the one chosen waveform type for which it is calibrated, typically sine waves. The errors with average rectification are shown in Table 1. Peak detection is worse in all cases and is rarely used.

Table 1. Errors with Average Rectification vs True RMS

WAVEFORM	V _{RMS}	AVERAGE RECTIFIED (V)	ERROR*
Square Wave	1.000	1.000	11%
Sine Wave	1.000	0.900	*Calibrate for 0% Error
Triangle Wave	1.000	0.866	-3.8%
SCR at 1/2 Power, Θ = 90°	1.000	0.637	-29.3%
SCR at 1/4 Power, Θ = 114°	1.000	0.536	-40.4%

The last two entries of Table 1 are chopped sine waves as is commonly created with thyristors such as SCRs and Triacs. Figure 2a shows a typical circuit and Figure 2b shows the resulting load voltage, switch voltage and load

APPLICATIONS INFORMATION

currents. The power delivered to the load depends on the firing angle, as well as any parasitic losses such as switch “ON” voltage drop. Real circuit waveforms will also typically have significant ringing at the switching transition, dependent on exact circuit parasitics. For the purposes of this data sheet, “SCR Waveforms” refers to the ideal chopped sine wave, though the LTC1968 will do faithful RMS-to-DC conversion with real SCR waveforms as well.

The case shown is for $\Theta = 90^\circ$, which corresponds to 50% of available power being delivered to the load. As noted in Table 1, when $\Theta = 114^\circ$, only 25% of the available power is being delivered to the load and the power drops quickly as Θ approaches 180° .

With an average rectification scheme and the typical calibration to compensate for errors with sine waves, the RMS level of an input sine wave is properly reported; it is only with a non-sinusoidal waveform that errors occur. Because of this calibration, and the output reading in V_{RMS} , the term True-RMS got coined to denote the use of an actual RMS-to-DC converter as opposed to a calibrated average rectifier.

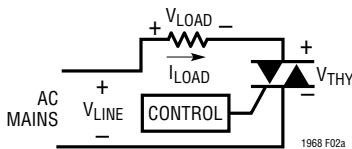


Figure 2a

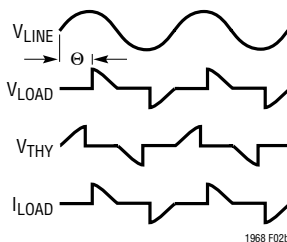


Figure 2b

How an RMS-to-DC Converter Works

Monolithic RMS-to-DC converters use an implicit computation to calculate the RMS value of an input signal. The fundamental building block is an analog multiply/divide used as shown in Figure 3. Analysis of this topology is easy and starts by identifying the inputs and the output of

the lowpass filter. The input to the LPF is the calculation from the multiplier/divider; $(V_{IN})^2/V_{OUT}$. The lowpass filter will take the average of this to create the output, mathematically:

$$V_{OUT} = \left(\frac{\overline{(V_{IN})^2}}{V_{OUT}} \right)$$

Because V_{OUT} is DC,

$$\left(\frac{\overline{(V_{IN})^2}}{V_{OUT}} \right) = \frac{\overline{(V_{IN})^2}}{V_{OUT}}, \text{ so}$$

$$V_{OUT} = \frac{\overline{(V_{IN})^2}}{V_{OUT}}, \text{ and}$$

$$(V_{OUT})^2 = \overline{(V_{IN})^2}, \text{ or}$$

$$V_{OUT} = \sqrt{\overline{(V_{IN})^2}} = \text{RMS}(V_{IN})$$

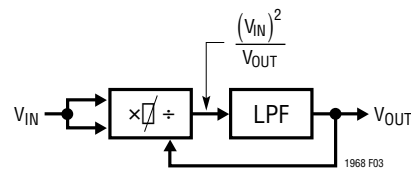


Figure 3. RMS-to-DC Converter with Implicit Computation

Unlike the prior generation RMS-to-DC converters, the LTC1968 computation does NOT use log/antilog circuits, which have all the same problems, and more, of log/antilog multipliers/dividers, i.e., linearity is poor, the bandwidth changes with the signal amplitude and the gain drifts with temperature.

How the LTC1968 RMS-to-DC Converter Works

The LTC1968 uses a completely new topology for RMS-to-DC conversion, in which a $\Delta\Sigma$ modulator acts as the divider, and a simple polarity switch is used as the multiplier¹ as shown in Figure 4.

¹Protected by multiple patents.

APPLICATIONS INFORMATION

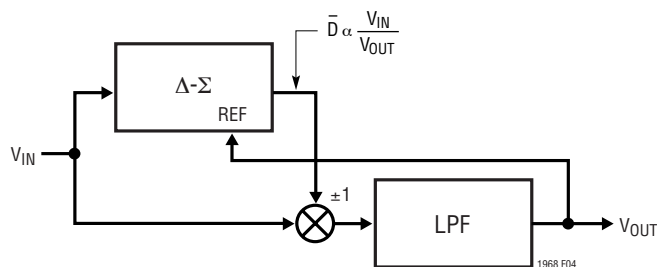


Figure 4. Topology of LTC1968

The $\Delta\Sigma$ modulator has a single-bit output whose average duty cycle (\bar{D}) will be proportional to the ratio of the input signal divided by the output. The $\Delta\Sigma$ is a 2nd order modulator with excellent linearity. The single-bit output is used to selectively buffer or invert the input signal. Again, this is a circuit with excellent linearity, because it operates at only two points: ± 1 gain; the average effective multiplication over time will be on the straight line between these two points. The combination of these two elements again creates a lowpass filter input signal equal to $(V_{IN})^2/V_{OUT}$, which, as shown above, results in RMS-to-DC conversion.

The lowpass filter performs the averaging of the RMS function and must be a lower corner frequency than the lowest frequency of interest. For line frequency measurements, this filter is simply too large to implement on-chip, but the LTC1968 needs only one capacitor on the output to implement the lowpass filter. The user can select this capacitor depending on frequency range and settling time requirements, as will be covered in the Design Cookbook section to follow.

This topology is inherently more stable and linear than log/antilog implementations primarily because all of the signal processing occurs in circuits with high gain op amps operating closed loop.

More detail of the LTC1968 inner workings is shown in the Simplified Schematic towards the end of this data sheet.

Note that the internal scalings are such that the $\Delta\Sigma$ output duty cycle is limited to 0% or 100% only when V_{IN} exceeds $\pm 4 \cdot V_{OUT}$.

Linearity of an RMS-to-DC Converter

Linearity may seem like an odd property for a device that implements a function that includes two very nonlinear processes: squaring and square rooting.

However, an RMS-to-DC converter has a transfer function, RMS volts in to DC volts out, that should ideally have a 1:1 transfer function. To the extent that the input to output transfer function does not lie on a straight line, the part is nonlinear.

A more complete look at linearity uses the simple model shown in Figure 5. Here an ideal RMS core is corrupted by both input circuitry and output circuitry that have imperfect transfer functions. As noted, input offset is introduced in the input circuitry, while output offset is introduced in the output circuitry.

Any nonlinearity that occurs in the output circuitry will corrupt the RMS in to DC out transfer function. A nonlinearity in the input circuitry will typically corrupt that transfer function far less simply because with an AC input, the RMS-to-DC conversion will average the nonlinearity from a whole range of input values together.

But the input nonlinearity will still cause problems in an RMS-to-DC converter because it will corrupt the accuracy as the input signal shape changes. Although an RMS-to-DC converter will convert any input waveform to a DC output, the accuracy is not necessarily as good for all waveforms as it is with sine waves. A common way to describe dynamic signal wave shapes is Crest Factor. The crest factor is the ratio of the peak value relative to the RMS value of a waveform. A signal with a crest factor of 4, for instance, has a peak that is four times its RMS value.



Figure 5. Linearity Model of an RMS-to-DC Converter

APPLICATIONS INFORMATION

Because this peak has energy (proportional to voltage squared) that is 16 times (4^2) the energy of the RMS value, the peak is necessarily present for at most 6.25% (1/16) of the time.

The LTC1968 performs very well with crest factors of 4 or less and will respond with reduced accuracy to signals with higher crest factors. The high performance with crest factors less than 4 is directly attributable to the high linearity throughout the LTC1968.

DESIGN COOKBOOK

The LTC1968 RMS-to-DC converter makes it easy to implement a rather quirky function. For many applications all that will be needed is a single capacitor for averaging, appropriate selection of the I/O connections and power supply bypassing. Of course, the LTC1968 also requires power. A wide variety of power supply configurations are shown in the Typical Applications section towards the end of this data sheet.

Capacitor Value Selection

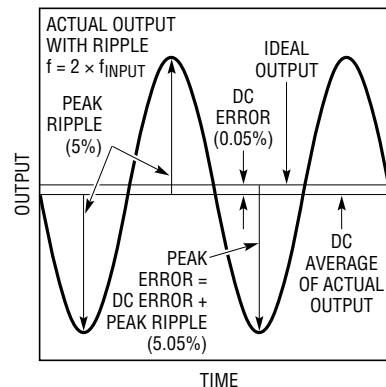
The RMS or root-mean-squared value of a signal, *the root of the mean of the square*, cannot be computed without some averaging to obtain the *mean* function. The LTC1968 true RMS-to-DC converter utilizes a single capacitor on the output to do the low frequency averaging required for RMS-to-DC conversion. To give an accurate measure of a dynamic waveform, the averaging must take place over a sufficiently long interval to average, rather than track, the

lowest frequency signals of interest. For a single averaging capacitor, the accuracy at low frequencies is depicted in Figure 6.

Figure 6 depicts the so-called “DC error” that results at a given combination of input frequency and filter capacitor values². It is appropriate for most applications, in which the output is fed to a circuit with an inherently band-limited frequency response, such as a dual slope/integrating A/D converter, a $\Delta\Sigma$ A/D converter or even a mechanical analog meter.

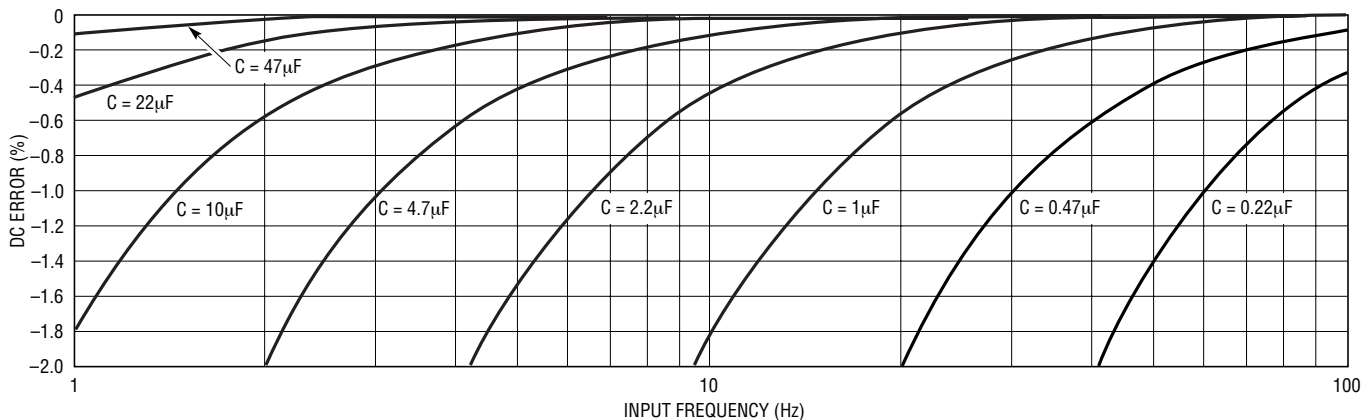
However, if the output is examined on an oscilloscope with a very low frequency input, the incomplete averaging will be seen, and this ripple will be larger than the error depicted in Figure 6. Such an output is depicted in Figure 7. The ripple is at twice the frequency of the input

²This frequency-dependent error is in addition to the static errors that affect all readings and are therefore easy to trim or calibrate out. The “Error Analyses” section to follow discusses the effect of static error terms.



1968 F07

Figure 7. Output Ripple Exceeds DC Error



1968 F06

Figure 6. DC Error vs Input Frequency

1968f

APPLICATIONS INFORMATION

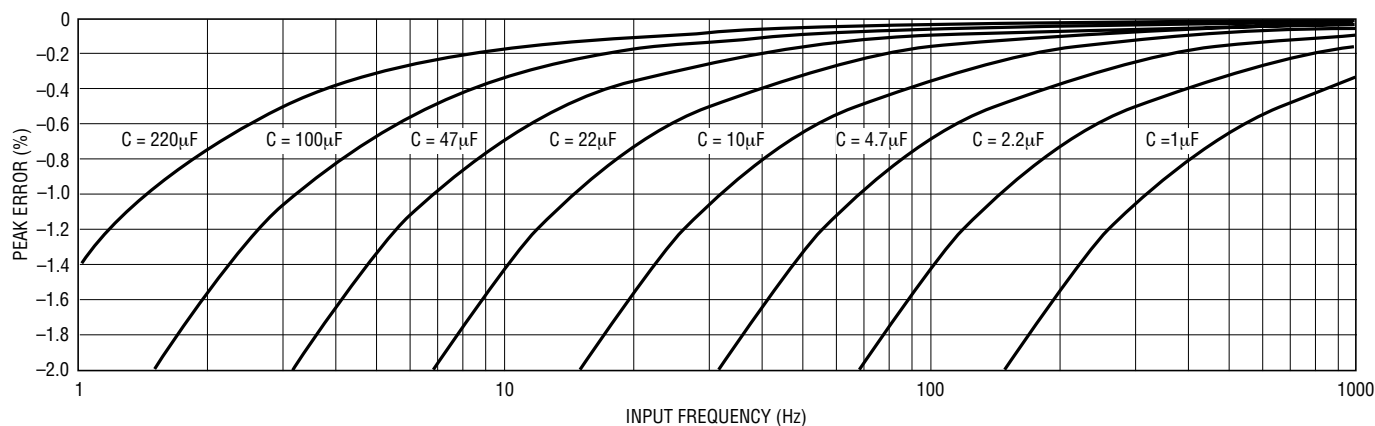


Figure 8. Peak Error vs Input Frequency with One Cap Averaging

because of the computation of the square of the input. The typical values shown, 5% peak ripple with 0.05% DC error, occur with $C_{AVE} = 10\mu\text{F}$ and $f_{INPUT} = 6\text{Hz}$.

If the application calls for the output of the LTC1968 to feed a sampling or Nyquist A/D converter (or other circuitry that will not average out this double frequency ripple) a larger averaging capacitor can be used. This trade-off is depicted in Figure 8. The peak ripple error can also be reduced by additional lowpass filtering after the LTC1968, but the simplest solution is to use a larger averaging capacitor.

A $10\mu\text{F}$ capacitor is a good choice for many applications. The peak error at 50Hz/60Hz will be $<1\%$ and the DC error will be $<0.1\%$ with frequencies of 10Hz or more.

Note that both Figure 6 and Figure 8 assume AC-coupled waveforms with a crest factor less than 2, such as sine waves or triangle waves. For higher crest factors and/or AC + DC waveforms, a larger C_{AVE} will generally be required. See “Crest Factor and AC + DC Waveforms.”

Capacitor Type Selection

The LTC1968 can operate with many types of capacitors. The various types offer a wide array of sizes, tolerances, parasitics, package styles and costs.

Ceramic chip capacitors offer low cost and small size, but are not recommended for critical applications. The value stability over voltage and temperature is poor with many types of ceramic dielectrics. This will not cause an RMS-to-DC accuracy problem except at low frequencies, where

it can aggravate the effects discussed in the previous section. If a ceramic capacitor is used, it may be necessary to use a much higher nominal value in order to assure the low frequency accuracy desired.

Another parasitic of ceramic capacitors is leakage, which is again dependent on voltage and particularly temperature. If the leakage is a constant current leak, the $I \cdot R$ drop of the leak multiplied by the output impedance of the LTC1968 will create a constant offset of the output voltage. If the leak is Ohmic, the resistor divider formed with the LTC1968 output impedance will cause a gain error. For $<0.1\%$ gain accuracy degradation, the parallel impedance of the capacitor leakage will need to be >1000 times the LTC1968 output impedance. Accuracy at this level can be hard to achieve with a ceramic capacitor, particularly with a large value of capacitance and at high temperature.

For critical applications, a film capacitor, such as metalized polyester, will be a much better choice. Although more expensive, and larger for a given value, the value stability and low leakage make metal-film capacitors a trouble-free choice.

With any type of capacitor, the self-resonance of the capacitor can be an issue with the switched capacitor LTC1968. If the self-resonant frequency of the averaging capacitor is 1MHz or less, a second smaller capacitor should be added in parallel to reduce the impedance seen by the LTC1968 output stage at high frequencies. A capacitor 100 times smaller than the averaging capacitor will typically be small enough to be a low cost ceramic with a high quality dielectric such as X7R or NPO/COG.

APPLICATIONS INFORMATION

Input Connections

The LTC1968 input is differential and DC coupled. The LTC1968 responds to the RMS value of the differential voltage between Pin 2 and Pin 3, including the DC portion of that difference. However, there is no DC-coupled path from the inputs to ground. Therefore, at least one of the two inputs must be connected with a DC-return path to ground.

Both inputs must be connected to something. If either input is left floating, a zero volt output will result.

For single-ended DC-coupled applications, simply connect one of the two inputs (they are interchangeable) to the signal, and the other to ground. This will work well for dual supply configurations, but for single supply configurations it will only work well for unipolar input signals. The LTC1968 input voltage range is from rail-to-rail, and when the input is driven above V^+ or below GND the gain and offset errors will increase substantially after just a few hundred millivolts of overdrive. Fortunately, most single supply circuits measuring a DC-coupled RMS value will include some reference voltage other than ground, and the second LTC1968 input can be connected to that point.

For single-ended AC-coupled applications, Figure 9 shows three alternate topologies. The first one, shown in Figure 9a uses a coupling capacitor to one input while the other is grounded. This will remove the DC voltage difference from the input to the LTC1968, and it will therefore not be part of the resulting output voltage. Again, this connection will

work well with dual supply configurations, but in single supply configurations it will be necessary to raise the voltage on the grounded input to assure that the signal at the active input stays within the range of 0V to V^+ . If there is already a suitable voltage reference available, connect the second input to that point. If not, a midsupply voltage can be created with two resistors as shown in Figure 9b.

Finally, if the input voltage is known to be between 0V and V^+ , it can be AC coupled by using the configuration shown in Figure 9c. Whereas the DC return path was provided through Pin 3 in Figures 9a and 9b, in this case, the return path is provided on Pin 2, through the input signal voltages. The switched capacitor action between the two input pins of the LTC1968 will cause the voltage on the coupling capacitor connected to the second input to follow the DC average of the input voltage.

For differential input applications, connect the two inputs to the differential signal. If AC coupling is desired, one of the two inputs can be connected through a series capacitor.

In all of these connections, to choose the input coupling capacitor, C_C , calculate the low frequency coupling time constant desired, and divide by the LTC1968 differential input impedance. Because the LTC1968 input impedance is about 100 times its output impedance, this capacitor is typically much smaller than the output averaging capacitor. Its requirements are also much less stringent, and a ceramic chip capacitor will usually suffice.

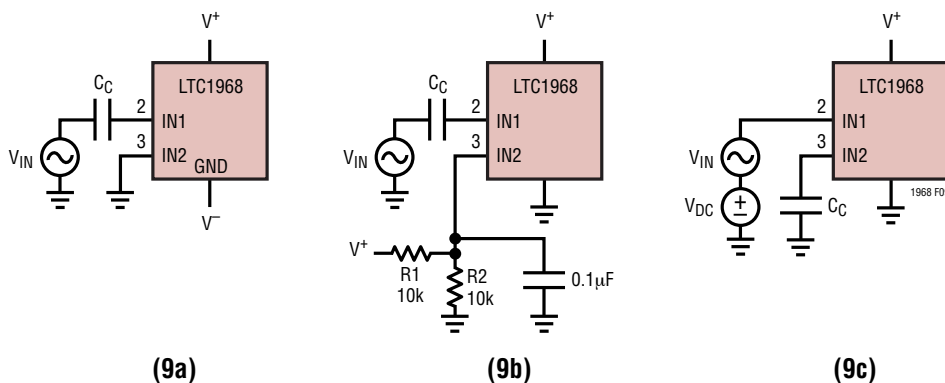


Figure 9. Single-Ended AC-Coupled Input Connection Alternatives

APPLICATIONS INFORMATION

Output Connections

The LTC1968 output is differentially, but not symmetrically, generated. That is to say, the RMS value that the LTC1968 computes will be generated on the output (Pin 5) relative to the output return (Pin 6), but these two pins are not interchangeable. For most applications, Pin 6 will be tied to ground (Pin 1). However, Pin 6 can be tied to any voltage between 0V and V^+ (Pin 7) less the maximum output voltage swing desired. This last restriction keeps V_{OUT} itself (Pin 5) within the range of 0V to V^+ . If a reference level other than ground is used, it should be a low impedance, both AC and DC, for proper operation of the LTC1968.

In any configuration, the averaging capacitor should be connected between Pins 5 and 6. The LTC1968 RMS-DC output will be a positive voltage created at V_{OUT} (Pin 5) with respect to OUT RTN (Pin 6).

Power Supply Bypassing

The LTC1968 is a switched capacitor device, and large transient power supply currents will be drawn as the switching occurs. For reliable operation, standard power supply bypassing must be included. A $0.01\mu\text{F}$ capacitor from V^+ (Pin 7) to GND (Pin 1) located close to the device will suffice. If there is a good quality ground plane available, the capacitors can go directly to that instead. Power supply bypass capacitors can, of course, be inexpensive ceramic types.

Up and Running!

If you have followed along this far, you should have the LTC1968 up and running by now! Don't forget to enable the device by grounding Pin 8, or driving it with a logic low.

Keep in mind that the LTC1968 output impedance is fairly high, and that even the standard $10\text{M}\Omega$ input impedance of a digital multimeter (DMM) or a $10\times$ scope probe will load down the output enough to degrade its typical gain error of 0.1%. In the end application circuit, either a buffer or another component with an extremely high input impedance (such as a dual slope integrating ADC) should be used.

For laboratory evaluation, it may suffice to use a bench-top DMM with the ability to disconnect the $10\text{M}\Omega$ shunt.

If you are still having trouble, it may be helpful to skip ahead a few pages and review the Troubleshooting Guide.

What About Response Time?

With a large value averaging capacitor, the LTC1968 can easily perform RMS-to-DC conversion on low frequency signals. It compares quite favorably in this regard to prior-generation products because nothing about the $\Delta\Sigma$ circuitry is temperature sensitive. So the RMS result doesn't get distorted by signal driven thermal fluctuations like a log-antilog circuit output does.

However, using large value capacitors results in a slow response time. Figure 10 shows the rising and falling step responses with a $10\mu\text{F}$ averaging capacitor. Although they both appear at first glance to be standard exponential-decay type settling, they are not. This is due to the nonlinear nature of an RMS-to-DC calculation. Also note the change in the time scale between the two; the rising edge is more than twice as fast to settle to a given accuracy. Again this is a necessary consequence of RMS-to-DC calculation.³

Although shown with a step change between 0mV and 100mV, the same response shapes will occur with the LTC1968 for ANY step size. This is in marked contrast to prior generation log/antilog RMS-to-DC converters, whose averaging time constants are dependent on the signal level, resulting in excruciatingly long waits for the output to go to zero.

The shape of the rising and falling edges will be dependent on the total percent change in the step, but for less than the 100% changes shown in Figure 10, the responses will be less distorted and more like a standard exponential decay. For example, when the input amplitude is changed from

³ To convince oneself of this necessity, consider a pulse train of 50% duty cycle between 0mV and 100mV. At very low frequencies, the LTC1968 will essentially track the input. But as the input frequency is increased, the average result will converge to the RMS value of the input. If the rise and fall characteristics were symmetrical, the output would converge to 50mV. In fact though, the RMS value of a 100mV DC-coupled 50% duty cycle pulse train is 70.71mV, which the asymmetrical rise and fall characteristics will converge to as the input frequency is increased.

APPLICATIONS INFORMATION

100mV to 110mV (+10%) and back (-10%), the step responses are essentially the same as a standard exponential rise and decay between those two levels. In such cases, the time constant of the decay will be in between that of the rising edge and falling edge cases of Figure 10. Therefore, the worst case is the falling edge response as it goes to zero, and it can be used as a design guide.

Figure 11 shows the settling accuracy vs settling time for a variety of averaging capacitor values. If the capacitor value previously selected (based on error requirements) gives an acceptable settling time, your design is done.

But with 220 μ F, the settling time to even 10% is a full 10 seconds, which is a long time to wait. What can be done about such a design? If the reason for choosing 220 μ F is to keep the DC error with a 200mHz input less than 0.1%, the answer is: not much. The settling time to 1% of 20 seconds is just 4 cycles of this extremely low frequency. Averaging very low frequency signals takes a long time.

However, if the reason for choosing 220 μ F is to keep the peak error with a 10Hz input less than 0.2%, there is another way to achieve that result with a much improved settling time.

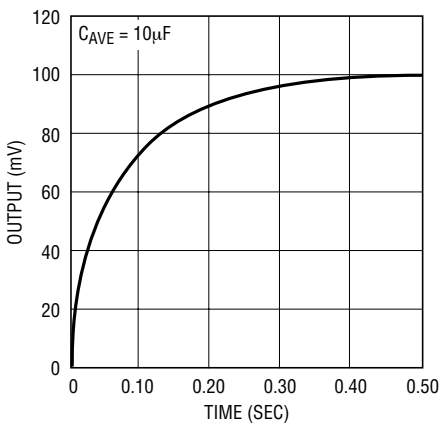


Figure 10a. LTC1968 Rising Edge with $C_{AVE} = 10\mu F$

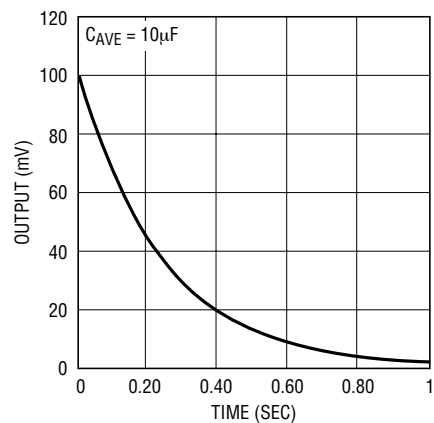


Figure 10b. LTC1968 Falling Edge with $C_{AVE} = 10\mu F$

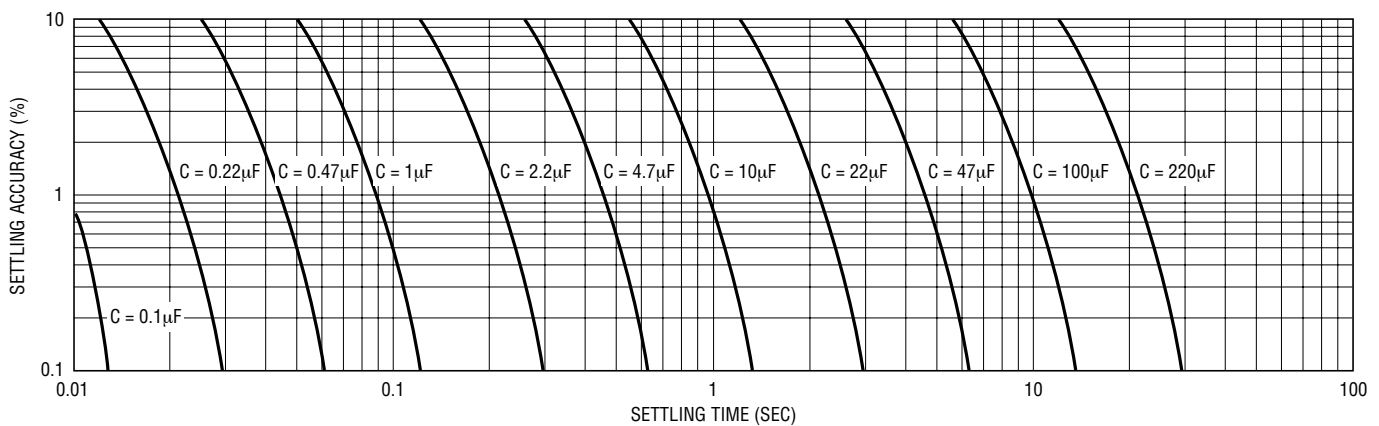


Figure 11. Settling Time vs Cap Value, One Cap Averaging

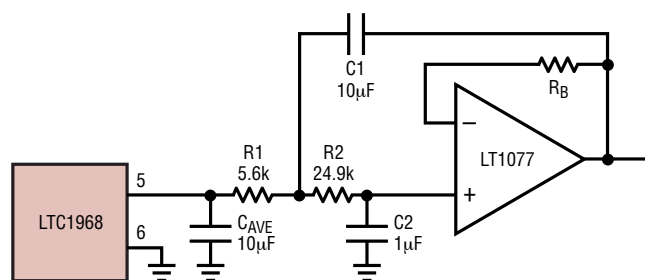
APPLICATIONS INFORMATION

Reducing Ripple with a Post Filter

The output ripple is always much larger than the DC error, so filtering out the ripple can reduce the peak error substantially, without the large settling time penalty of simply increasing the averaging capacitor.

Figure 12 shows a basic 2nd order post filter, for a net 3rd order filtering of the LTC1968 RMS calculation. It uses the 12.5kΩ output impedance of the LTC1968 as the first resistor of a 3rd order Sallen-Key active-RC filter. This topology features a buffered output, which can be desirable depending on the application. However, there are disadvantages to this topology, the first of which is that the op amp input voltage and current errors directly degrade the effective LTC1968 V_{OOS} . The table inset in Figure 12 shows these errors for four of Linear Technology's op amps.

A second disadvantage is that the op amp output has to operate over the same range as the LTC1968 output, including ground, which in single supply applications is the negative supply. Although the LTC1968 output will function fine just millivolts from the rail, most op amp output stages (and even some input stages) will not. There are at least two ways to address this. First of all, the op amp can be operated split supply if a negative supply is available. Just the op amp would need to do so; the LTC1968 can remain single supply. A second way to address this issue is to create a signal reference voltage a half volt or so above ground. This is most attractive when the circuitry that follows has a differential input, so that the tolerance of the signal reference is not a



OP AMP	LT1494	LT1880	LT1077	LTC2054
LTC1968 V_{OOS}	±750µV			
V_{IOS}	±375µV	±150µV	±60µV	±3µV
$I_{B/OS} \cdot R$	±11µV	±48µV	±48µV	±13µV
TOTAL OFFSET	±1.1mV	±940µV	±858µV	±766µV
R_B VALUE	43k	SHORT	43k	SHORT
I_{SQ}	1µA	1.2mA	48µA	150µA

1968 F12

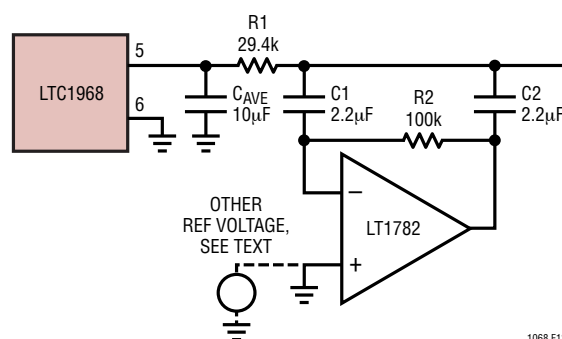
Figure 12. Buffered Post Filter

concern. To do this, tie all three ground symbols shown in Figure 12 to the signal reference, as well as to the differential return for the circuitry that follows.

Figure 13 shows an alternative 2nd order post filter, for a net 3rd order filtering of the LTC1968 RMS calculation. It also uses the 12.5kΩ output impedance of the LTC1968 as the first resistor of a 3rd order active-RC filter, but this topology filters without buffering so that the op amp DC error characteristics do not affect the output. Although the output impedance of the LTC1968 is increased from 12.5kΩ to 41.9kΩ, this is not an issue with an extremely high input impedance load, such as a dual-slope integrating ADC like the ICL7106. And it allows a generic op amp to be used, such as the SOT-23 one shown. Furthermore, it easily works on a single supply rail by tying the noninverting input of the op amp to a low noise reference as optionally shown. This reference will not change the DC voltage at the circuit output, although it does become the AC ground for the filter, thus the (relatively) low noise requirement.

Step Responses with a Post Filter

Both of the post filters, shown in Figures 12 and 13, are optimized for additional filtering with clean step responses. The 12.5kΩ output impedance of the LTC1968 working into a 10µF capacitor forms a 1st order LPF with a -3dB frequency of ~1.27Hz. The two filters have 10µF at the LTC1968 output for easy comparison with a 10µF-only case, and both have the same relative Bessel-like shape. However, because of the topological differences of pole placements between the various components within the two filters, the net effective bandwidth for Figure 12 is slightly higher ($\approx 1.2 \cdot 1.27 \approx 1.52$ Hz) than with 10µF alone, while the bandwidth for Figure 13 is



1068 F13

Figure 13. DC Accurate Post Filter

APPLICATIONS INFORMATION

somewhat lower ($\approx 0.7 \cdot 1.27 \approx 0.9\text{Hz}$) than with $10\mu\text{F}$ alone. To adjust the bandwidth of either of them, simply scale all the capacitors by a common multiple, and leave the resistors unchanged.

The step responses of the LTC1968 with $10\mu\text{F}$ -only and with the two post filters are shown in Figure 14. This is the rising edge RMS output response to a 10Hz input starting at $t = 0$. Although the falling edge response is the worst case for settling, the rising edge illustrates the ripple that these post filters are designed to address, so the rising edge makes for a better intuitive comparison.

The initial rise of the LTC1968 will have enhanced slew rates with DC and very low frequency inputs due to saturation effects in the $\Delta\Sigma$ modulator. This is seen in Figure 14 in two ways. First, the $10\mu\text{F}$ -only output is seen to rise very quickly in the first 40ms . The second way this effect shows up is that the post filter outputs have a modest overshoot, on the order of 3mV to 4mV , or 3% to 4% . This is only an issue with input frequency bursts at 50Hz or less, and even with the overshoot, the settling to a given level of accuracy improves due to the initial speedup.

As predicted by Figure 6, the DC error with $10\mu\text{F}$ is well under 1mV and is not noticeable at this scale. However, as predicted by Figure 8, the peak error with the ripple from a 10Hz input is much larger, in this case about 5mV . As can be clearly seen, the post filters reduce this ripple. Even the wider bandwidth of Figure 12's filter is seen to cut the ripple down substantially (to $< 1\text{mV}$) while the settling to 1% happens faster. With the narrower bandwidth of Figure 14's filter, the step response is somewhat slower, but the double frequency output ripple is just $150\mu\text{V}$.

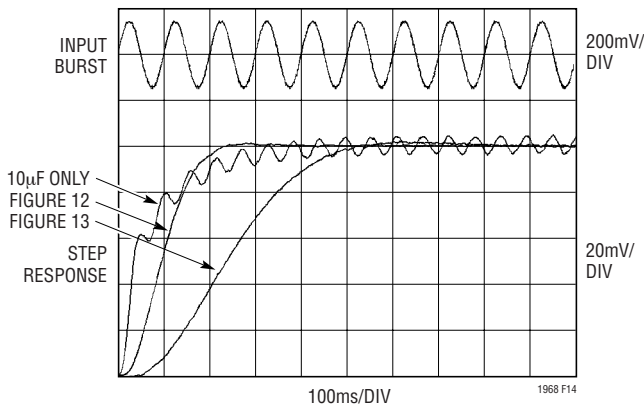


Figure 14. Step Responses with 10Hz Burst

Figure 15 shows the step response of the same three cases with a burst of 60Hz rather than 10Hz . With 60Hz , the initial portion of the step response is free of the boost seen in Figure 14 and the two post-filter responses have less than 1% overshoot. The $10\mu\text{F}$ -only case still has noticeable 120Hz ripple, but both filters have removed all detectable ripple on this scale. This is to be expected; the first order filter will reduce the ripple about $6:1$ for a $6:1$ change in frequency, while the third order filters will reduce the ripple about $6^3:1$ or $216:1$ for a $6:1$ change in frequency.

Again, the two filter topologies have the same relative shape, so the step response and ripple filtering trade-offs of the two are the same, with the same performance of each possible with the other by scaling it accordingly. Figures 16 and 17 show the peak error vs. frequency for a selection of capacitors for the two different filter topologies. To keep the clean step response, scale all three capacitors within the filter. Scaling the buffered topology of Figure 12 is simple because the capacitors are in a $10:1:10$ ratio. Scaling the DC accurate topology of Figure 14 can be done with standard value capacitors; one decade of scaling is shown in Table 2.

Table 2: One Decade of Capacitor Scaling for Figure 13 with EIA Standard Values

C_{AVE}	$C_1 = C_2 =$
$1\mu\text{F}$	$0.22\mu\text{F}$
$1.5\mu\text{F}$	$0.33\mu\text{F}$
$2.2\mu\text{F}$	$0.47\mu\text{F}$
$3.3\mu\text{F}$	$0.68\mu\text{F}$
$4.7\mu\text{F}$	$1\mu\text{F}$
$6.8\mu\text{F}$	$1.5\mu\text{F}$

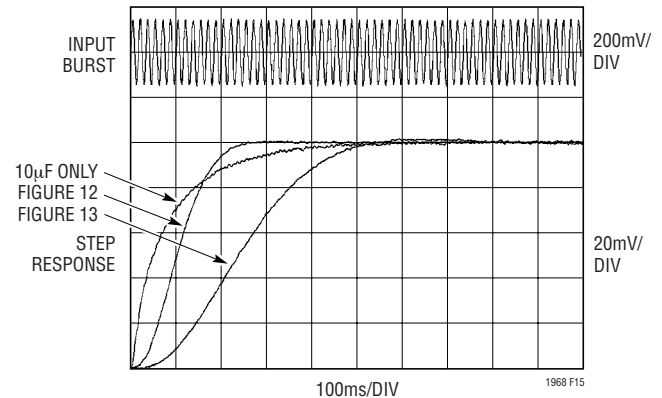


Figure 15. Step Responses with 60Hz Burst

APPLICATIONS INFORMATION

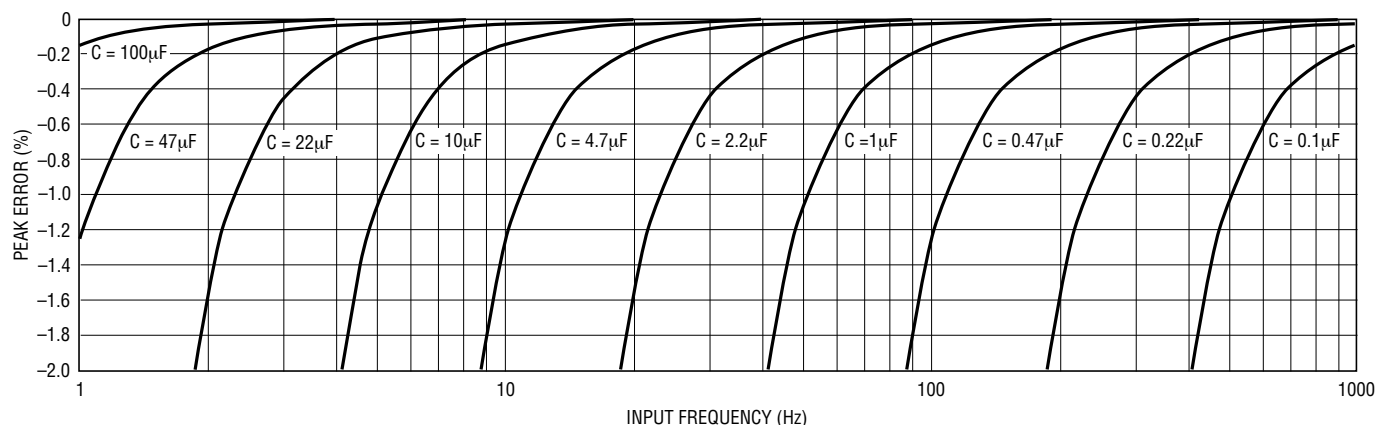


Figure 16. Peak Error vs Input Frequency with Buffered Post Filter

1968 F08

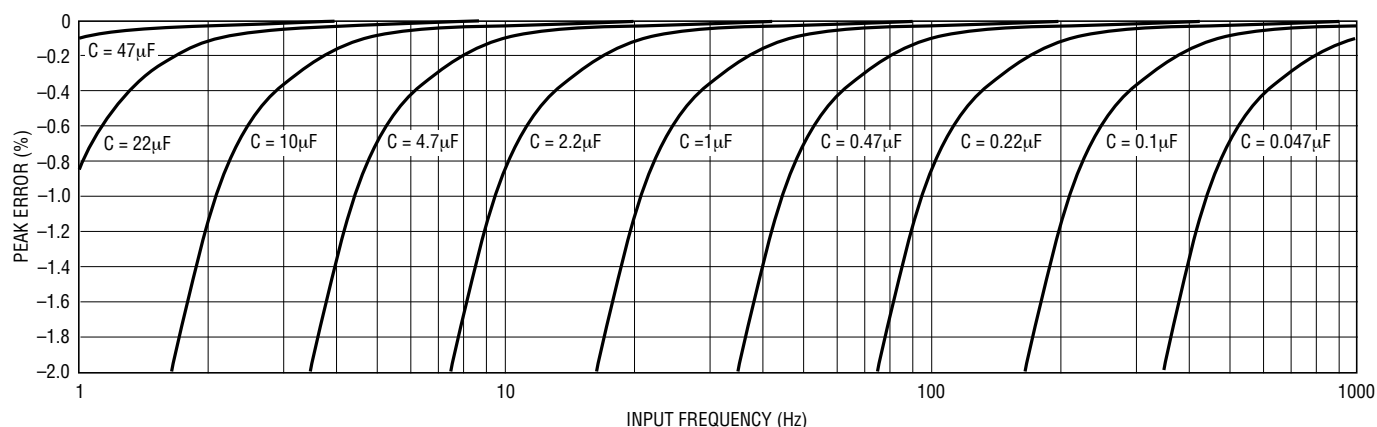


Figure 17. Peak Error vs Input Frequency with DC-Accurate Post Filter

1968 F08

Figures 18 and 19 show the settling time versus settling accuracy for the Buffered and DC accurate post filters, respectively. The different curves represent different scalings of the filters, as indicated by the C_{AVE} value. These are comparable to the curves in Figure 11 (single capacitor case), with somewhat less settling time for the buffered post filter, and somewhat more settling time for the DC-accurate post filter. These differences are due to the change in overall bandwidth as mentioned earlier.

Although the settling times for the post-filtered configurations shown on Figures 18 and 19 are not that much different from those with a single capacitor, the point of using a post filter is that the settling times are far better for a given level peak error. The filters dramatically reduce the low frequency averaging ripple with far less impact on settling time.

Crest Factor and AC + DC Waveforms

In the preceding discussion, the waveform was assumed to be AC coupled, with a modest crest factor. Both assumptions ease the requirements for the averaging capacitor. With an AC-coupled sine wave, the calculation engine squares the input, so the averaging filter that follows is required to filter twice the input frequency, making its job easier. But with a sinewave that includes DC offset, the square of the input has frequency content at the input frequency and the filter must average out that lower frequency. So with AC + DC waveforms, the required value for C_{AVE} should be based on half of the lowest input frequency, using the same design curves presented in Figures 6, 8, 16 and 17.

1968f

APPLICATIONS INFORMATION

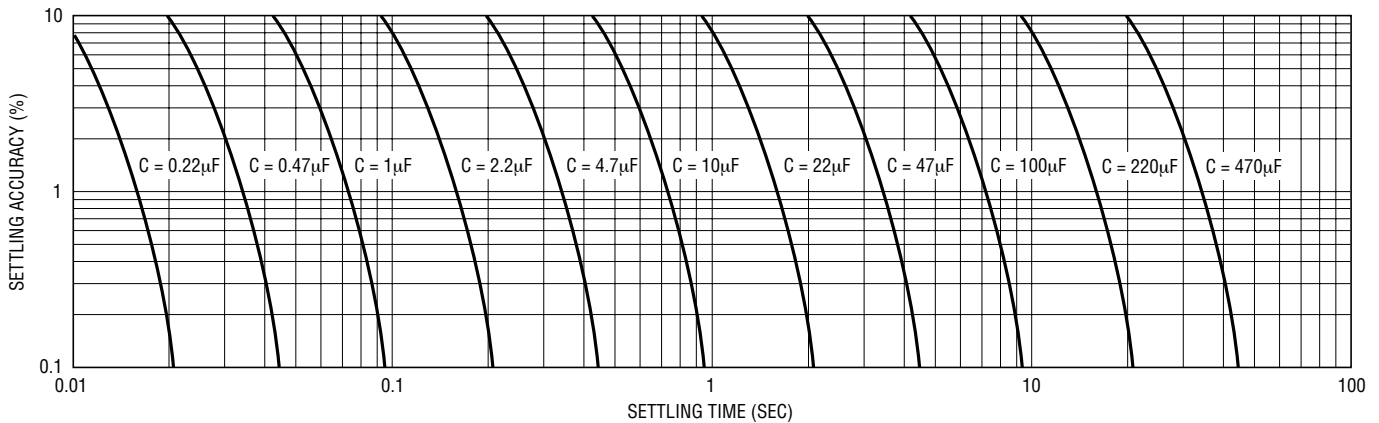


Figure 18. Settling Time with Buffered Post Filter

1968 F18

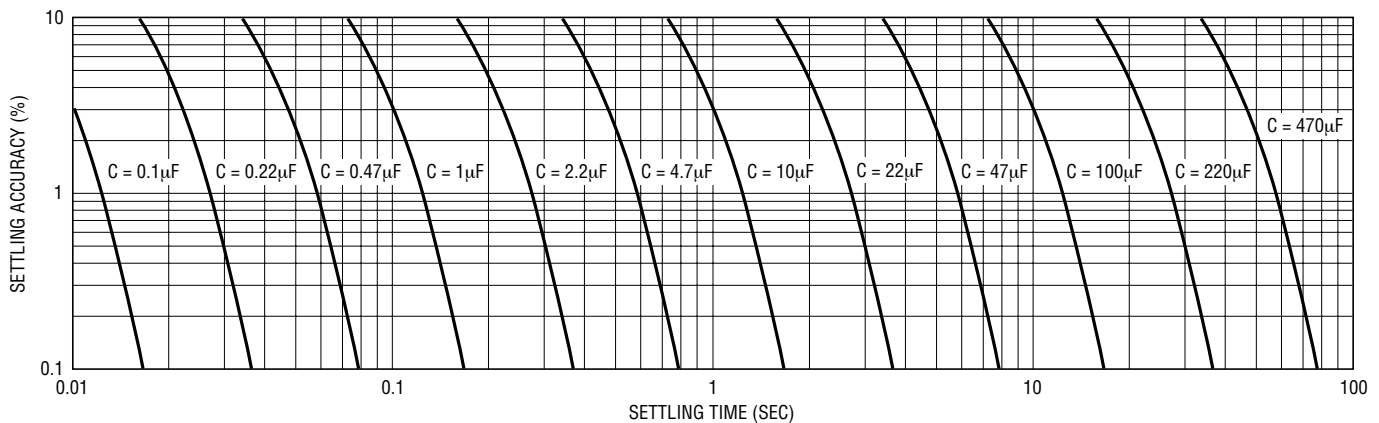


Figure 19. Settling Time with DC-Accurate Post Filter

1968 F19

Crest factor, which is the peak to RMS ratio of a dynamic signal, also effects the required C_{AVE} value. With a higher crest factor, more of the energy in the signal is concentrated into a smaller portion of the waveform, and the averaging has to ride out the long lull in signal activity. For busy waveforms, such as a sum of sine waves, ECG traces or SCR-chopped sine waves, the required value for C_{AVE} should be based on the lowest fundamental input frequency divided as such:

$$f_{DESIGN} = \frac{f_{INPUT(MIN)}}{3 \cdot \sqrt{CF - \sqrt{2}}}$$

using the same design curves presented in Figures 6, 8, 16 and 17. For the worst case of square top pulse trains, that are always either zero volts or the peak voltage, base the selection on the lowest fundamental input frequency divided by twice as much:

$$f_{DESIGN} = \frac{f_{INPUT(MIN)}}{6 \cdot \sqrt{CF - \sqrt{2}}}$$

The effects of crest factor and DC offsets are cumulative. So for example, a 10% duty cycle pulse train from $0V_{PEAK}$ to $1V_{PEAK}$ ($CF = \sqrt{10} = 3.16$) repeating at 16.67ms (60Hz) input is effectively only 30Hz due to the DC asymmetry and is effectively only:

$$f_{DESIGN} = \frac{30}{6 \cdot \sqrt{3.16 - \sqrt{2}}} = 3.78\text{Hz}$$

for the purposes of Figures 6, 8, 16 and 17.

Obviously, the effect of crest factor is somewhat simplified above given the factor of two difference based on a subjective description of the waveform type. The results will vary somewhat based on actual crest factor and

APPLICATIONS INFORMATION

waveform dynamics and the type of filtering used. The above method is conservative for some cases and about right for others.

The LTC1968 works well with signals whose crest factor is 4 or less. At higher crest factors, the internal $\Delta\Sigma$ modulator will saturate, and results will vary depending on the exact frequency, shape and (to a lesser extent) amplitude of the input waveform. The output voltage could be higher or lower than the actual RMS of the input signal.

The $\Delta\Sigma$ modulator may also saturate when signals with crest factors less than 4 are used with insufficient averaging. This will only occur when the output droops to less than 1/4 of the input voltage peak. For instance, a DC-coupled pulse train with a crest factor of 4 has a duty cycle of 6.25% and a $1V_{PEAK}$ input is $250mV_{RMS}$. If this input is 50Hz, repeating every 20ms, and $C_{AVE} = 10\mu F$, the output will droop during the inactive 93.75% of the waveform. This droop is calculated as:

$$V_{MIN} = \frac{V_{RMS}}{2} \left(1 - e^{-\left(\frac{INACTIVE\ TIME}{2 \cdot Z_{OUT} \cdot C_{AVE}} \right)} \right)$$

For the LTC1968, whose output impedance (Z_{OUT}) is $12.5k\Omega$, this droop works out to -3.6% , so the output would be reduced to $241mV$ at the end of the inactive portion of the input. When the input signal again climbs to $1V_{PEAK}$, the peak/output ratio is 4.15.

With $C_{AVE} = 100\mu F$, the droop is only -0.37% to $249.1mV$ and the peak/output ratio is just 4.015, which the LTC1968 has enough margin to handle without error.

For crest factors less than 3.5, the selection of C_{AVE} as previously described should be sufficient to avoid this droop and modulator saturation effect. But with crest factors above 3.5, the droop should also be checked for each design.

Error Analyses

Once the RMS-to-DC conversion circuit is working, it is time to take a step back and do an analysis of the accuracy of that conversion. The LTC1968 specifications include three basic static error terms, V_{OOS} , V_{IOS} and GAIN. The output offset is an error that simply adds to (or subtracts

from) the voltage at the output. The conversion gain of the LTC1968 is nominally $1.000 V_{DCOUT}/V_{RMSIN}$ and the gain error reflects the extent to which this conversion gain is not perfectly unity. Both of these affect the results in a fairly obvious way.

Input offset on the other hand, despite its conceptual simplicity, affects the output in a nonobvious way. As its name implies, it is a constant error voltage that adds directly with the input. And it is the sum of the input and V_{IOS} that is RMS converted.

This means that the effect of V_{IOS} is warped by the nonlinear RMS conversion. With $0.4mV$ (typ) V_{IOS} , and a $200mV_{RMS}$ AC input, the RMS calculation will add the DC and AC terms in an RMS fashion and the effect is negligible:

$$\begin{aligned} V_{OUT} &= \sqrt{(200mV\ AC)^2 + (0.4mV\ DC)^2} \\ &= 200.0004mV \\ &= 200mV + 2ppm \end{aligned}$$

But with $10\times$ less AC input, the error caused by V_{IOS} is $100\times$ larger:

$$\begin{aligned} V_{OUT} &= \sqrt{(20mV\ AC)^2 + (0.4mV\ DC)^2} \\ &= 20.004mV \\ &= 20mV + 200ppm \end{aligned}$$

This phenomena, although small, is one source of the LTC1968's residual nonlinearity.

On the other hand, if the input is DC coupled, the input offset voltage adds directly. With $+200mV$ and a $+0.4mV$ V_{IOS} , a $200.4mV$ output will result, an error of 0.2% or $2000ppm$. With DC inputs, the error caused by V_{IOS} can be positive or negative depending if the two have the same or opposing polarity.

The total conversion error with a sine wave input using the typical values of the LTC1968 static errors is computed as follows:

$$\begin{aligned} V_{OUT} &= (\sqrt{(500mV\ AC)^2 + (0.4mV\ DC)^2}) \cdot 1.001 + 0.2mV \\ &= 500.700mV \\ &= 500mV + 0.140\% \end{aligned}$$

$$\begin{aligned} V_{OUT} &= (\sqrt{(50mV\ AC)^2 + (0.4mV\ DC)^2}) \cdot 1.001 + 0.2mV \\ &= 50.252mV \\ &= 50mV + 0.503\% \end{aligned}$$

APPLICATIONS INFORMATION

$$\begin{aligned} V_{OUT} &= (\sqrt{(5\text{mV AC})^2 + (0.4\text{mV DC})^2}) \cdot 1.001 + 0.2\text{mV} \\ &= 5.221\text{mV} \\ &= 5\text{mV} + 4.42\% \end{aligned}$$

As can be seen, the gain term dominates with large inputs, while the offset terms become significant with smaller inputs. In fact, 5mV is the minimum RMS level needed to keep the LTC1968 calculation core functioning normally, so this represents the worst-case of usable input levels.

Using the worst-case values of the LTC1968 static errors, the total conversion error is:

$$\begin{aligned} V_{OUT} &= (\sqrt{(500\text{mV AC})^2 + (1.5\text{mV DC})^2}) \cdot 1.003 + 0.75\text{mV} \\ &= 502.25\text{mV} \\ &= 500\text{mV} + 0.45\% \end{aligned}$$

$$\begin{aligned} V_{OUT} &= (\sqrt{(50\text{mV AC})^2 + (1.5\text{mV DC})^2}) \cdot 1.003 + 0.75\text{mV} \\ &= 50.923\text{mV} \\ &= 50\text{mV} + 1.85\% \end{aligned}$$

$$\begin{aligned} V_{OUT} &= (\sqrt{(5\text{mV AC})^2 + (1.5\text{mV DC})^2}) \cdot 1.003 + 0.75\text{mV} \\ &= 5.986\text{mV} \\ &= 5\text{mV} + 19.7\% \end{aligned}$$

These static error terms are in addition to dynamic error terms that depend on the input signal. See the Design Cookbook for a discussion of the DC conversion error with low frequency AC inputs. The LTC1968 bandwidth limitations cause additional errors with high frequency inputs. Another dynamic error is due to crest factor. The LTC1968 performance versus crest factor is shown in the Typical Performance Characteristics.

Output Errors Versus Frequency

As mentioned in the design cookbook, the LTC1968 performs very well with low frequency and very low frequency inputs, provided a large enough averaging capacitor is used.

However, the LTC1968 will have additional dynamic errors as the input frequency is increased. The LTC1968 is designed for high accuracy RMS-to-DC conversion of signals up to 100kHz. However, the switched capacitor circuitry samples the inputs at a modest 2MHz nominal. The response versus frequency is depicted in the Typical Performance Characteristics titled Input Signal Bandwidth.

Although there is a pattern to the response versus frequency that repeats every sample frequency, the errors are not overwhelming. This is because LTC1968 RMS calculation is inherently wideband, operating properly with minimal oversampling, or even undersampling, using several proprietary techniques to exploit the fact that the RMS value of an aliased signal is the same as the RMS value of the original signal. However, a fundamental feature of the $\Delta\Sigma$ modulator is that sample estimation noise is shaped such that minimal noise occurs with input frequencies much less than the sampling frequency, but such noise peaks when input frequency reaches half the sampling frequency. Fortunately the LTC1968 output averaging filter greatly reduces this error, but the RMS-to-DC topology frequency shifts the noise to low (baseband) frequencies. See Output Noise vs Input Frequency in the Typical Performance Characteristics.

Input Impedance

The LTC1968 true RMS-to-DC converter utilizes a 0.8pF capacitor to sample the input at a nominal 2MHz sample frequency. This accounts for the 1.2M Ω input impedance. See Figure 20 for the equivalent analog input circuit. Note however, that the 1.2M Ω input impedance does not directly affect the input sampling accuracy. For instance, if a 15.5k source resistance is used to drive the LTC1968, the sampling action of the input stage will drag down the voltage seen at the input pins with small spikes at every sample clock edge as the sample capacitor is connected to be charged. The time constant of this combination is small, 0.8pF \cdot 15.5k Ω = 12.5ns, and during the 125ns period devoted to sampling, ten time constants elapse.

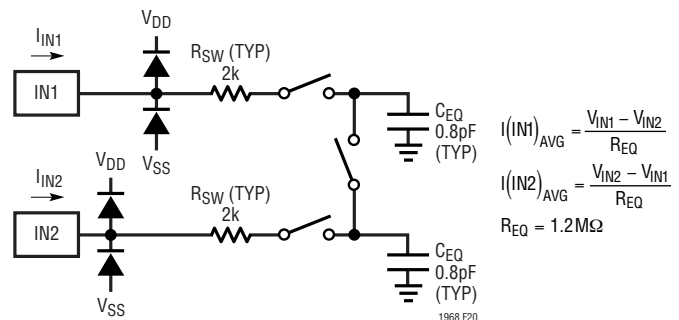


Figure 20. LTC1968 Equivalent Analog Input Circuit

APPLICATIONS INFORMATION

This allows each sample to settle to within 46ppm and it is these samples that are used to compute the RMS value.

This is a much higher accuracy than the LTC1968 conversion limits, and far better than the accuracy computed via the simplistic resistive divider model:

$$\begin{aligned}
 V_{IN} &= V_{SOURCE} \frac{R_{IN}}{R_{IN} + R_{SOURCE}} \\
 &= V_{SOURCE} \frac{1.2M\Omega}{1.2M\Omega + 15.5k\Omega} \\
 &= V_{SOURCE} - 1.25\%
 \end{aligned}$$

This resistive divider calculation does give the correct model of what voltage is seen at the input terminals by a parallel load averaged over a several clock cycles, which is what a large shunt capacitor will do—average the current spikes over several clock cycles.

When high source impedances are used, care must be taken to minimize shunt capacitance at the LTC1968 input so as not to increase the settling time. Shunt capacitance of just 0.8pF will double the input settling time constant and the error in the above example grows from 46ppm to 0.67% (6700ppm). As a consequence, it is important to *not* try to filter the input with large input capacitances unless driven by a low impedance. Keep time constant \ll 125ns.

When the LTC1968 is driven by op amp outputs, whose low DC impedance can be compromised by sharp capacitive load switching, a small series resistor may be added. A 1k resistor will easily settle with the 0.8pF input sampling capacitor to within 1ppm.

These are important points to consider both during design and debug. During lab debug, and even production testing, a high value series resistor to any test point is advisable.

Output Impedance

The LTC1968 output impedance during operation is similarly due to a switched capacitor action. In this case, 20pF of on-chip capacitance operating at 2MHz translates into 25k Ω . The closed-loop RMS-to-DC calculation cuts that in half to the nominal 12.5k Ω specified.

In order to create a DC result, a large averaging capacitor is required. Capacitive loading and time constants are not an issue on the output.

However, resistive loading is an issue and the 10M Ω impedance of a DMM or 10 \times scope probe will drag the output down by -0.125% typ.

During shutdown, the switching action is halted and a fixed 12.5k resistor shunts V_{OUT} to OUT RTN so that C_{AVE} is discharged.

Interfacing with an ADC

The LTC1968 output impedance and the RMS averaging ripple need to be considered when using an analog-to-digital converter (ADC) to digitize the LTC1968 RMS result.

The simplest configuration is to connect the LTC1968 directly to the input of a type 7106/7136 ADC as shown in Figure 21a. These devices are designed specifically for DVM/DPM use and include display drivers for a 3 1/2 digit LCD segmented display. Using a dual-slope conversion, the input is sampled over a long integration window, which results in rejection of line frequency ripple when integration time is an integer number of line cycles. Finally, these parts have an input impedance in the G Ω range, with specified input leakage of 10pA to 20pA. Such a leakage, combined with the LTC1968 output impedance, results in less than 1 μ V of additional output offset voltage.

Another type of ADC that has inherent rejection of RMS averaging ripple is an oversampling $\Delta\Sigma$ ADC such as the LTC2420. Its input impedance is 6.5M Ω , but only when it is sampling. Since this occurs only half the time at most, if it directly loads the LTC1968, a gain error of -0.08% to -0.11% results. In fact, the LTC2420 DC input current is

APPLICATIONS INFORMATION

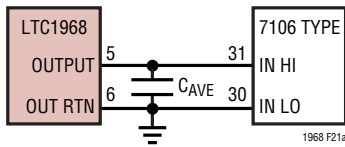


Figure 21a. Interfacing to DVM/DPM ADC

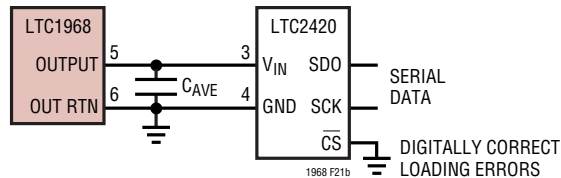


Figure 21b. Interfacing to LTC2420

not zero at 0V, but rather at one half its reference, so both an output offset and a gain error will result. These errors will vary from part to part, but with a specific LTC1968 and LTC2420 combination, the errors will be fixed, varying less than $\pm 0.05\%$ over temperature. So a system that has digital calibration can be quite accurate despite the nominal gain and offset error. With 20 bits of resolution, this part is more accurate than the LTC1968, but the extra resolution is helpful because it reduces nonlinearity at the LSB transitions as a digital gain correction is made. Furthermore, its small size and ease of use make it attractive.

This connection is shown in Figure 21b, where the LTC2420 is set to continuously convert by grounding the CS pin. The gain error will be less if CS is driven at a slower rate, however, the rate should either be consistent or at a rate low enough that the LTC1968 and its output capacitor have fully settled by the beginning of each conversion, so that the loading errors are consistent.

Other types of ADCs sample the input signal once and perform a conversion on that one sample. With these ADCs (Nyquist ADCs), a post filter will be needed in most cases to reduce the peak error with low input frequencies. The DC-accurate filter of Figure 13 is attractive from an error standpoint, but it increases the impedance at the ADC input. In most cases, the buffered post filter of Figure 12 will be more appropriate for use with Nyquist analog-to-digital converters.

SYSTEM CALIBRATION

The LTC1968 static accuracy can be improved with end-system calibration. Traditionally, calibration has been done at the factory, or at a service depot only, typically using manually adjusted potentiometers. Increasingly, systems are being designed for electronic calibration where the accuracy corrections are implemented in digital code wherever possible, and with calibration DACs where necessary. Additionally, many systems are now designed for self calibration, in which the calibration occurs inside the machine, automatically without user intervention.

Whatever calibration scheme is used, the linearity of the LTC1968 will improve the calibrated accuracy over that achievable with older log/antilog RMS-to-DC converters. Additionally, calibration using DC reference voltages are essentially as accurate with the LTC1968 as those using AC reference voltages. Older log/antilog RMS-to-DC converters required nonlinear input stages (rectifiers) whose linearity would typically render DC-based calibration unworkable.

The following are four suggested calibration methods. Implementations of the suggested adjustments are dependent on the system design, but in many cases, gain and output offset can be corrected in the digital domain, and will include the effect of all gains and offsets from the LTC1968 output through the ADC. Input offset voltage, on the other hand, will have to be corrected with adjustment to the actual analog input to the LTC1968.

AC-Only, 1 Point

The dominant error at full scale will be caused by the gain error, and by applying a full-scale sine wave input, this error can be measured and corrected for. Unlike older log/antilog RMS-to-DC converters, the correction should be made for zero error at full scale to minimize errors throughout the dynamic range.

The best frequency for the calibration signal is roughly ten times the -0.1% DC error frequency. For $10\mu\text{F}$, -0.1% DC error occurs at 6Hz, so 60Hz is a good calibration frequency, although anywhere from 60Hz to 100Hz should suffice.

APPLICATIONS INFORMATION

The trade-off here is that on the one hand, the DC error is input frequency dependent, so a calibration signal frequency high enough to make the DC error negligible should be used. On the other hand, as low a frequency as can be used is best to avoid attenuation of the calibrated AC signal, either from parasitic RC loading or insufficient op amp gain. For instance, with a 1kHz calibration signal, a 1MHz op amp will typically only have 60dB of open-loop gain, so it could attenuate the calibration signal a full 0.1%.

AC-Only, 2 Point

The next most significant error for AC-coupled applications will be the effect of output offset voltage, noticeable at the bottom end of the input scale. This too can be calibrated out if two measurements are made, one with a full-scale sine wave input and a second with a sine wave input (of the same frequency) at 10% of full scale. The trade-off in selecting this second level is that it should be small enough that the gain error effect becomes small compared to the gain error effect at full scale, while on the other hand, not using so small an input that the input offset voltage becomes an issue.

The calculations of the error terms for a 200mV full-scale case are:

$$\text{Gain} = \frac{\text{Reading at 200mV} - \text{Reading at 20mV}}{180\text{mV}}$$

$$\text{Output Offset} = \frac{\text{Reading at 20mV}}{\text{Gain}} - 20\text{mV}$$

DC, 2 Point

DC-based calibration is preferable in many cases because a DC voltage of known, good accuracy is easier to generate than such an AC calibration voltage. The only downside is that the LTC1968 input offset voltage plays a role. It is therefore suggested that a DC-based calibration scheme check at least two points: \pm full scale. Applying the

–full-scale input can be done by physically inverting the voltage or by applying the same +full-scale input to the opposite LTC1968 input.

For an otherwise AC-coupled application, only the gain term may be worth correcting for, but for DC-coupled applications, the input offset voltage can also be calculated and corrected for.

The calculations of the error terms for a 200mV full-scale case are:

$$\text{Gain} = \frac{\text{Reading at 200mV} + \text{Reading at } -200\text{mV}}{400\text{mV}}$$

$$\text{Input Offset} = \frac{\text{Reading at } -200\text{mV} - \text{Reading at 200mV}}{2 \cdot \text{Gain}}$$

Note: Calculation of and correction for input offset voltage are the only way in which the two LTC1968 inputs (IN1, IN2) are distinguishable from each other. The calculation above assumes the standard definition of offset; that a positive offset is the case of a positive voltage error inside the device that must be corrected by applying a like negative voltage outside. The offset is referred to whichever pin is driven positive for the +full-scale reading.

DC, 3 Point

One more point is needed with a DC calibration scheme to determine output offset voltage: +10% of full scale.

The calculation of the input offset is the same as for the 2-point calibration above, while the gain and output offset are calculated for a 200mV full-scale case as:

$$\text{Gain} = \frac{\text{Reading at 200mV} - \text{Reading at 20mV}}{180\text{mV}}$$

$$\text{Output Offset} = \frac{\text{Reading at 200mV} + \text{Reading at } -200\text{mV} - 400\text{mV} \cdot \text{Gain}}{2}$$

APPLICATIONS INFORMATION

TROUBLESHOOTING GUIDE

Top Ten LTC1968 Application Mistakes

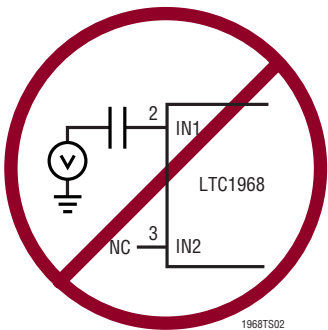
1. Circuit won't work—Dead On Arrival—no power drawn.
 - Probably forgot to enable the LTC1968 by pulling Pin 8 low.

Solution: Tie Pin 8 to Pin 1.

2. Circuit won't work, but draws power. Zero or very little output, single-ended input application.
 - Probably didn't connect both input pins.

Solution: Tie both inputs to something. See "Input Connections" in the Design Cookbook.

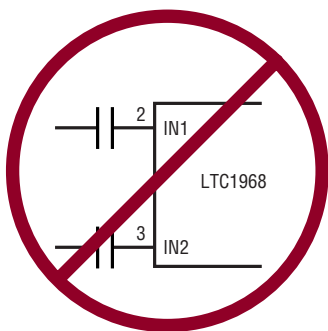
CONNECT PIN 3



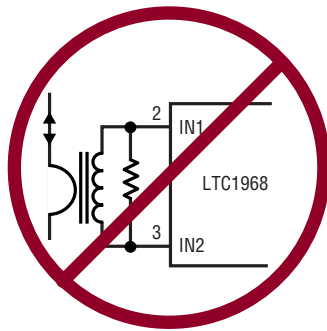
3. Screwy results, particularly with respect to linearity or high crest factors; differential input application.
 - Probably AC-coupled both input pins.

Solution: Make at least one input DC-coupled. See "Input Connections" in the Design Cookbook.

DC-COUPLE ONE INPUT



DC-CONNECT ONE INPUT

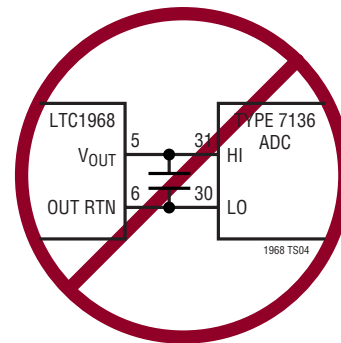


1968 TS03

4. Gain is low by a few percent, along with other screwy results.
 - Probably tried to use output in a floating, differential manner.

Solution: Tie Pin 6 to a low impedance. See "Output Connections" in the Design Cookbook.

GROUND PIN 6



5. Offsets perceived to be out of specification because 0V in \neq 0V out.
 - The offsets are not specified at 0V in. No RMS-to-DC converter works well at 0 due to a divide-by-zero calculation.

Solution: Measure V_{I0S}/V_{O0S} by extrapolating readings $> \pm 5mV_{DC}$.

6. Linearity perceived to be out of specification particularly with small input signals.
 - This could again be due to using 0V in as one of the measurement points.

Solution: Check Linearity from $5mV_{RMS}$ to $500mV_{RMS}$.

- The input offset voltage can cause small AC linearity errors at low input amplitudes as well. See "Error Analyses" section.

Possible Solution: Include a trim for input offset.

APPLICATIONS INFORMATION

7. Output is noisy with >200kHz inputs.
- This is a fundamental characteristic of this topology. The LTC1968 is designed to work very well with inputs of 100kHz or less. It works okay as high as 1MHz, but it is limited by aliased $\Delta\Sigma$ noise.

Solution: Bandwidth limit the input or digitally filter the resulting output.

8. Large errors occur at crest factors approaching, but less than 4.
- Insufficient averaging.

Solution: Increase C_{AVE} . See “Crest Factor and AC + DC Waveforms” section for discussion of output droop.

9. Screwy results, errors > spec limits, typically 1% to 5%.
- High impedance (12.5k Ω) and high accuracy (0.1%) require clean boards! Flux residue, finger grime, etc. all wreak havoc at this level.

Solution: Wash the board.

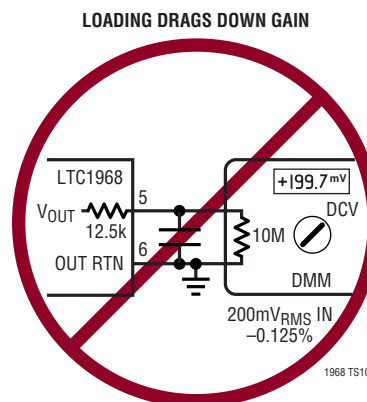


10. Gain is low by $\approx 1\%$ or more, no other problems.
- Probably due to circuit loading. With a DMM or a 10 \times scope probe, $Z_{IN} = 10M\Omega$. The LTC1968 output is 12.5k Ω , resulting in -0.125% gain error. Output impedance is higher with the DC accurate post filter.

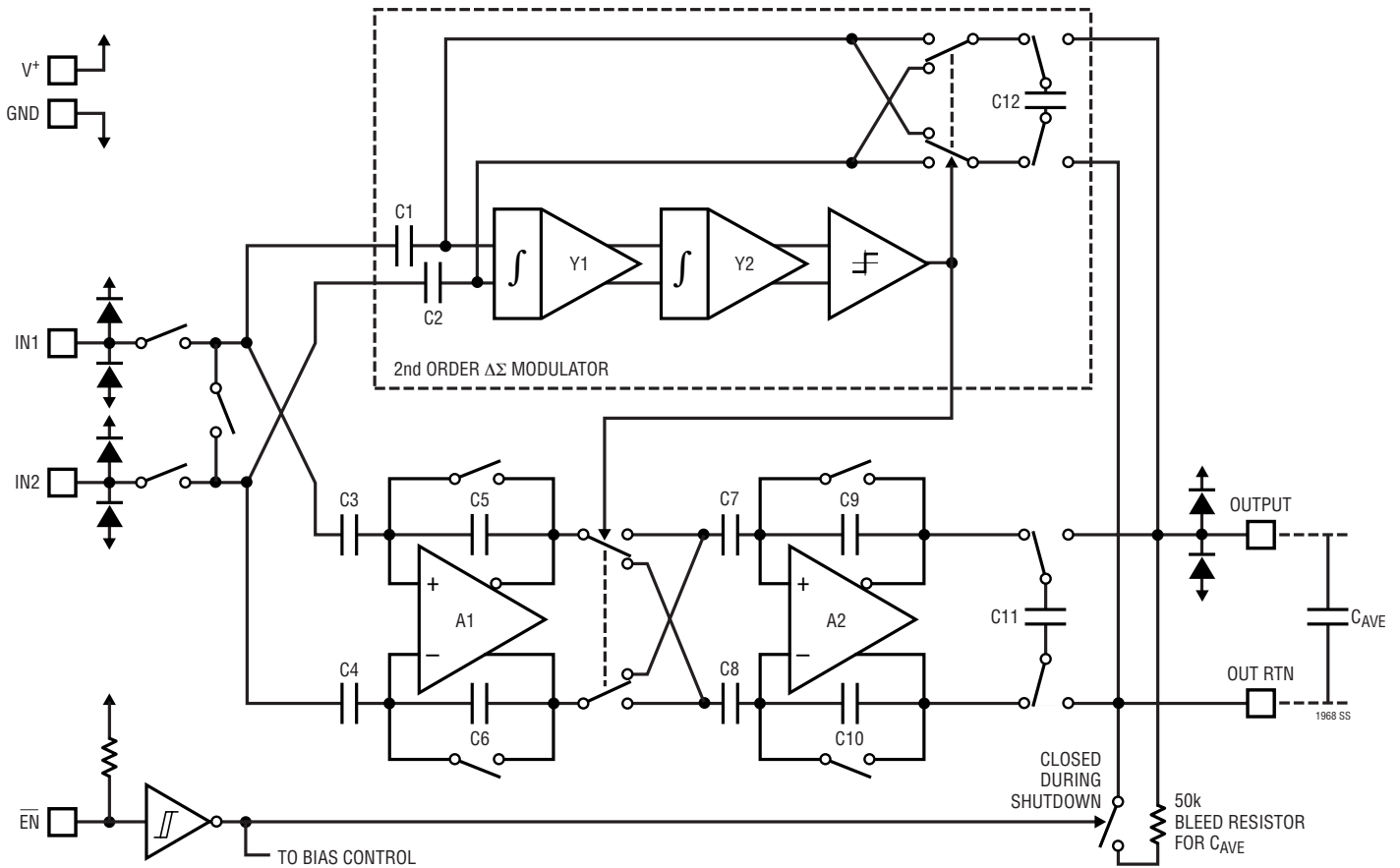
Solution: Remove the shunt loading or buffer the output.

- Loading can also be caused by cheap averaging capacitors.

Solution: Use a high quality metal film capacitor for C_{AVE} .

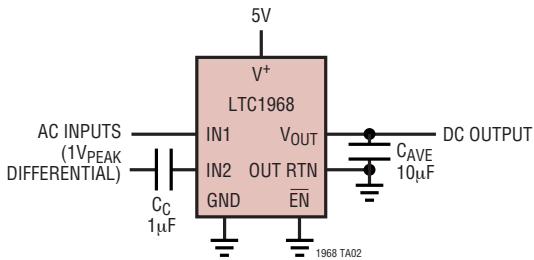


SIMPLIFIED SCHEMATIC

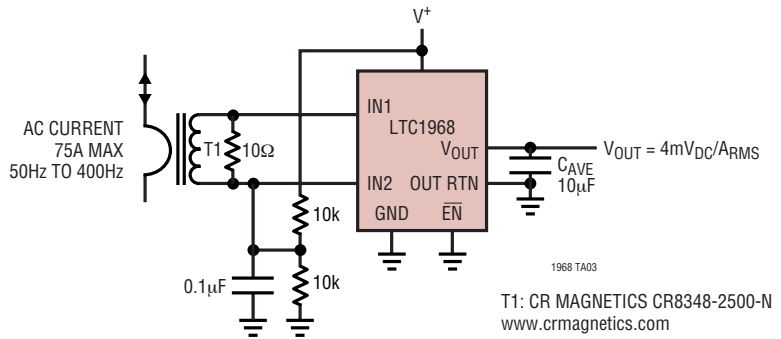


TYPICAL APPLICATIONS

5V Single Supply, Differential, AC-Coupled RMS-to-DC Converter

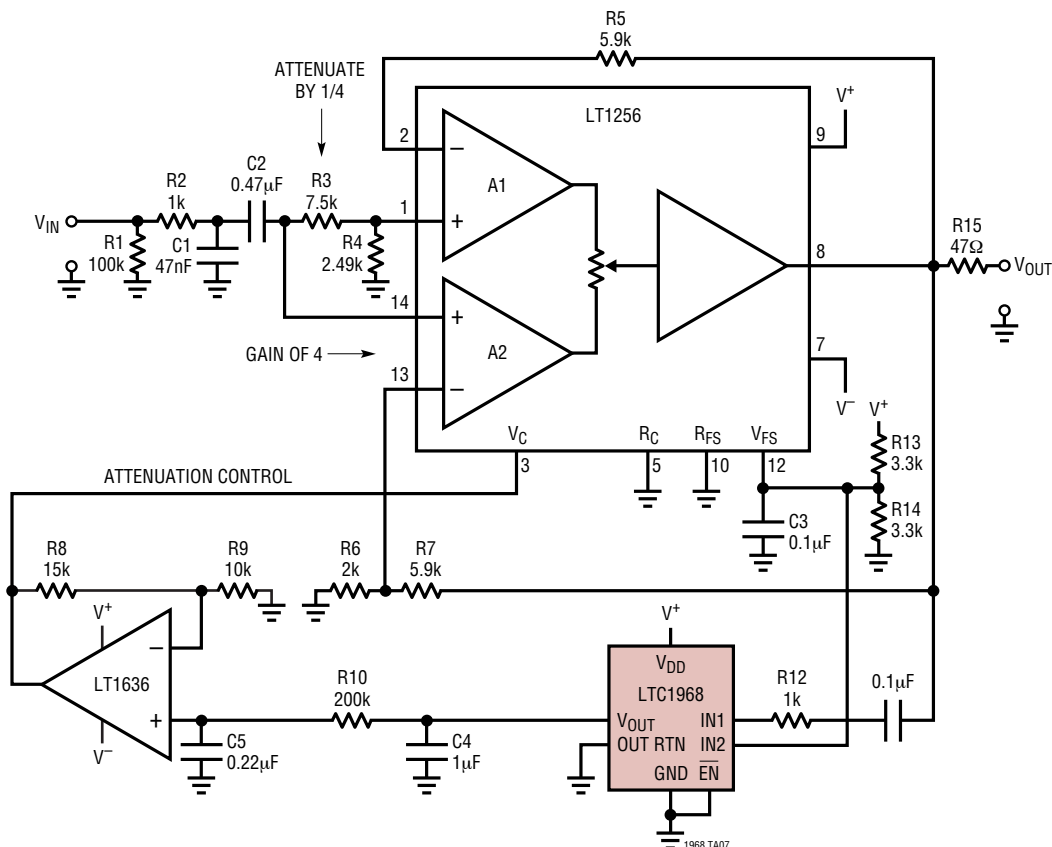


Single Supply RMS Current Measurement



TYPICAL APPLICATION

Audio Amplitude Compressor



RELATED PARTS

PART NUMBER	DESCRIPTION	COMMENTS
LT [®] 1077	Micropower, Single Supply Precision Op Amp	48 μ A I _S , 60 μ V V _{OS(MAX)} , 450pA I _{OS(MAX)}
LT1175-5	Negative, -5V Fixed, Micropower LDO Regulator	45 μ A I _Q , Available in SO-8 or SOT-223
LT1494	1.5 μ A Max, Precision Rail-to-Rail I/O Op Amp	375 μ V V _{OS(MAX)} , 100pA I _{OS(MAX)}
LT1782	General Purpose SOT-23 Rail-to-Rail Op Amp	40 μ A I _S , 800 μ V V _{OS(MAX)} , 2nA I _{OS(MAX)}
LT1880	SOT-23 Rail-to-Rail Output Precision Op Amp	1.2mA I _S , 150 μ V V _{OS(MAX)} , 900pA I _{OS(MAX)}
LTC2054	Zero Drift Op Amp in SOT-23	150 μ A I _S , 3 μ V V _{OS(MAX)} , 150pA I _{B(MAX)}
LT2178/LT2178A	17 μ A Max, Single Supply Precision Dual Op Amp	14 μ A I _S , 120 μ V V _{OS(MAX)} , 350pA I _{OS(MAX)}
LTC1966	Precision Micropower $\Delta\Sigma$ RMS-to-DC Converter	155 μ A I _S
LTC1967	Precision Extended Bandwidth RMS-to-DC Converter	320 μ A I _S
LTC2402	2-Channel, 24-bit, Micropower, No Latency $\Delta\Sigma^{\text{TM}}$ ADC	200 μ A I _S , 4ppm INL, 10ppm TUE
LTC2420	20-bit, Micropower, No Latency $\Delta\Sigma$ ADC in SO-8	200 μ A I _S , 8ppm INL, 16ppm TUE
LTC2422	2-Channel, 20-bit, Micropower, No Latency $\Delta\Sigma$ ADC	Dual channel version of LTC2420

No Latency $\Delta\Sigma$ is a trademark of Linear Technology Corporation.