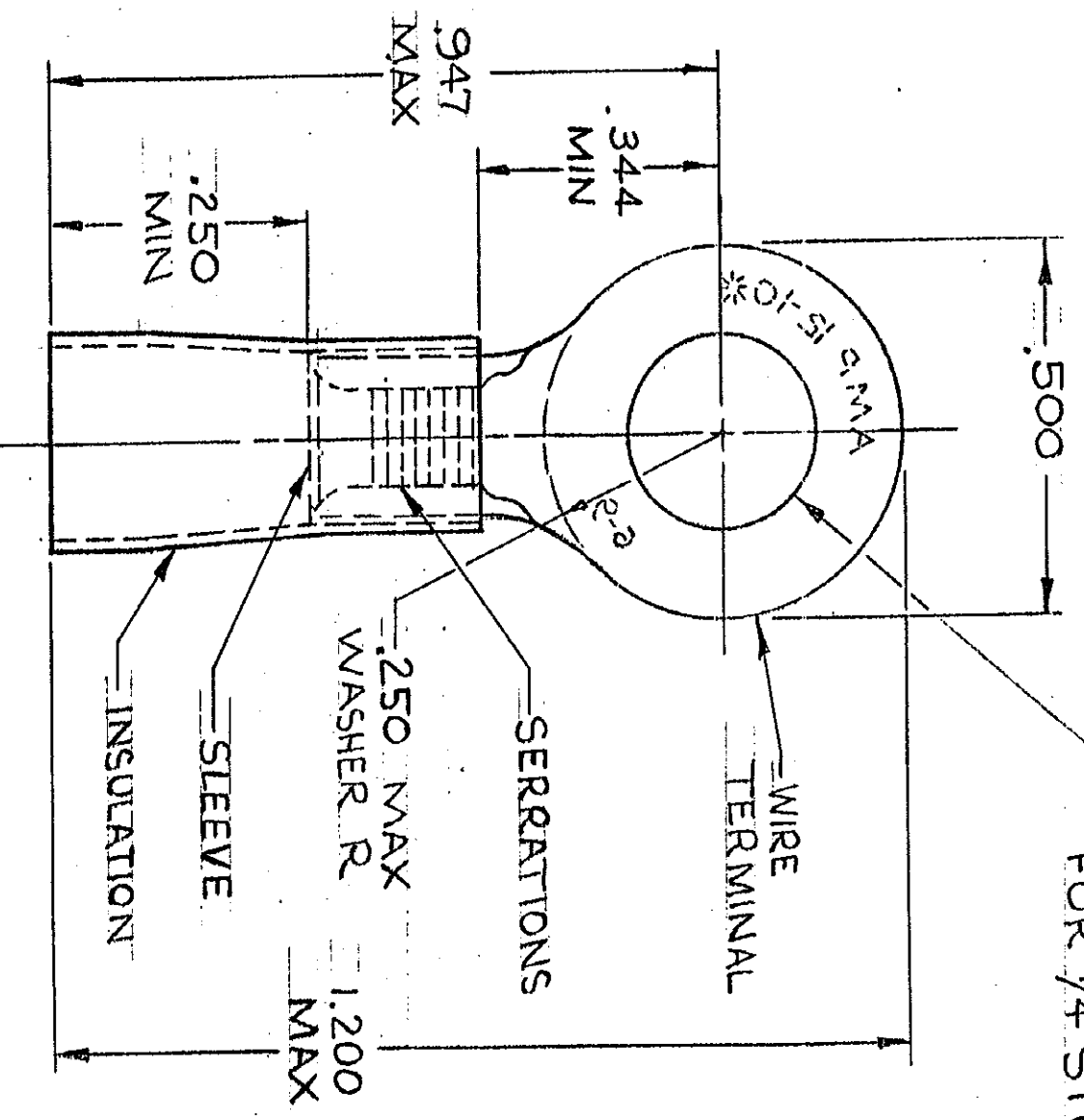


NUMBER 35627

© 1966 BY AMP INCORPORATED. ALL RIGHTS RESERVED. AMP PRODUCTS COVERED BY PATENTS AND/OR PATENTS PENDING.



±.005
 .265 DIA
 FOR 1/4 STUD

FOR .150 TO .230 WIRE INS. DIA.
 TONGUE MATERIAL THK.: .039 ±.002

ZONE	LTR	REVISIONS	DESCRIPTION	DATE	APPROVED
A			REDRAWN ADDED 2-35627-1	2-25-66	TC
B			REMOVED 2-35627-1 PER G-1078	4-3-73	RG
C			ADDED TAPE NO. PER P-7000	6-7-73	Shue
D			INACTIVATED 35627 P-7052		
E			REACTIVATED 35627 PER ECN P8704	1-28-82	Jim
F			OES 2--2 G-2407	3-28-87	Jim
G			REV PER G-2541	2-11-87	Jim
			REV/G-005591	7/91	W.D.K.S.

QTY	1	NOMENCLATURE	WIRE TERMINAL	PART OR IDENTIFYING NO.	35627
READ OR DESCRIPTION	35627 ON TAPE				2-35627-2
					INSULATION: PVC COLOR: BLACK SLEEVE: COPPER (QQ-C-576) ANNEALED WIRE TERMINAL: COPPER (QQ-G-576) TIN PL (MIL-T-10727) TYPE I ANNEALED

UNLESS OTHERWISE SPECIFIED DIM. ARE IN INCHES. TOLERANCES ON DECIMALS ±.005 ANGLES ±.5°

OTHER APPD

HEAT TREAT

FINISH TABLE

CONTRACT NO. #
 DR. *G. W. W. 5-25-66*
 CHK. *W. K. 5-26-66*
 APPD. *R. 11 5/26/66*

AMP INCORPORATED
 HARRISBURG, PENNSYLVANIA
 NAME: WIRE TERMINAL
 PLASTI-BOND, RING TONGUE
 WIRE SIZE: 12-10
 CODE IDENT NO. 00779
 NUMBER 35627

SCALE 4:1
 WT CALC ACTUAL SHEET 1 OF 1

CUSTOMER DRAWING