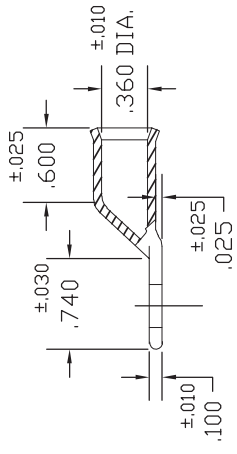
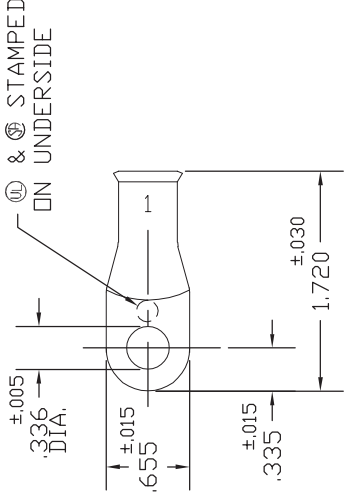


4 3 2 1

LOC	DIST	REVISIONS
G	50	DESCRIPTION
P	LTR	DATE
A2	A2	17OCT06
REVISED PER ECR-06-024472		JR DD

PRELIMINARY - NOT FOR PRODUCTION



PRELIMINARY	---	STANDARD	NICKEL PL.	1527451-4
ACTIVE	1561-01	STANDARD	TIN PLATE	1527451-2
ACTIVE	1561-00	STANDARD	PLAIN	1527451-1
STATUS	AET P/N	PACKAGING	FINISH	PART NUMBER

THIS DRAWING IS A CONTROLLED DOCUMENT.		DWN	9/28/00	Tyco Electronics Corporation	
		CHK	9/28/00	Harrisburg, PA 17105-3608	
		APVD	9/28/00	1 STANDARD TERMINAL	
TOLERANCES UNLESS OTHERWISE SPECIFIED:		PRODUCT SPEC		SIZE	DRAWING NO
0 PLC	±	APPLICATION SPEC		A3	00779
1 PLC	±	WEIGHT		C=1527451	RESTRICTED TO
2 PLC	±				---
3 PLC	±				
4 PLC	±				
RANGES	±-				
FINISH					
MATERIAL	COPPER ASTM B-152	CUSTOMER DRAWING			
		SCALE		1:1	SHEET 1 of 1
		REV		1	A2