

4

3

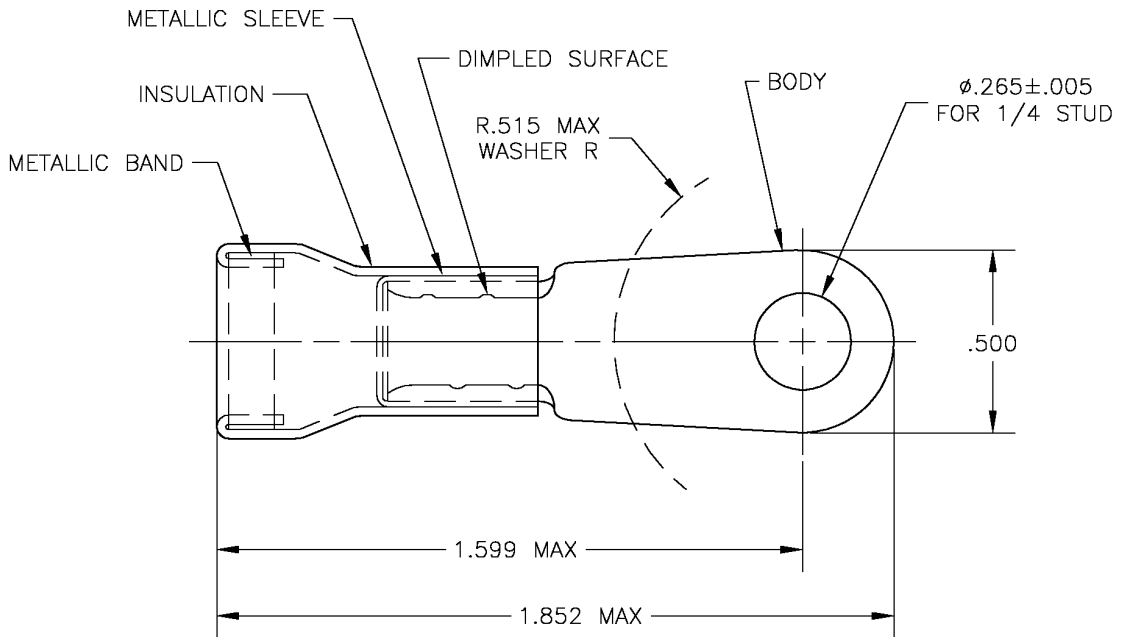
2

1

THIS DRAWING IS UNPUBLISHED. RELEASED FOR PUBLICATION
 © COPYRIGHT BY TYCO ELECTRONICS CORPORATION. ALL RIGHTS RESERVED.

LOC	DIST	REVISIONS			
P	LTR	DESCRIPTION	DATE	DWN	APVD
G	86	K	REDRAWN PER OG3A-0400-04	02JUN04	JR MS

- 1 TONGUE MATERIAL THICKNESS .045±.003
- 2 BODY: COPPER PER ASTM B-152
TIN PER ASTM B-545
INSULATION: PVC, COLOR - BLUE
METALLIC SLEEVE: COPPER PER ASTM B-152
METALLIC BAND: STEEL PER ASTM A109
- 3 FOR .377 MAX WIRE INSULATION DIA



P/N ON TAPE	QTY	DESCRIPTION	PART NO
2-322051-2	1	WIRE TERMINAL	322051

THIS DRAWING IS A CONTROLLED DOCUMENT.		DWN jr ruth 02JUN04	Tyco Electronics Corporation Harrisburg, PA 17105	
DIMENSIONS: INCHES		CHK MJ SPICER 02JUN04	NAME TERMINAL, AMPLI-BOND, RING TONGUE WIRE SIZE: 6	
TOLERANCES UNLESS OTHERWISE SPECIFIED:		APVD MJ SPICER 02JUN04	SIZE A3	CAGE CODE 00779
0 PLC ± -	1 PLC ± -	PRODUCT SPEC	DRAWING NO C=322051	RESTRICTED TO
2 PLC ± -	3 PLC ± .008	APPLICATION SPEC	SCALE 3:1	SHEET 1 OF 1
4 PLC ± -	ANGLES ± 5'	WEIGHT	REV K	
MATERIAL - \triangle 2	FINISH - \triangle 2	CUSTOMER DRAWING		