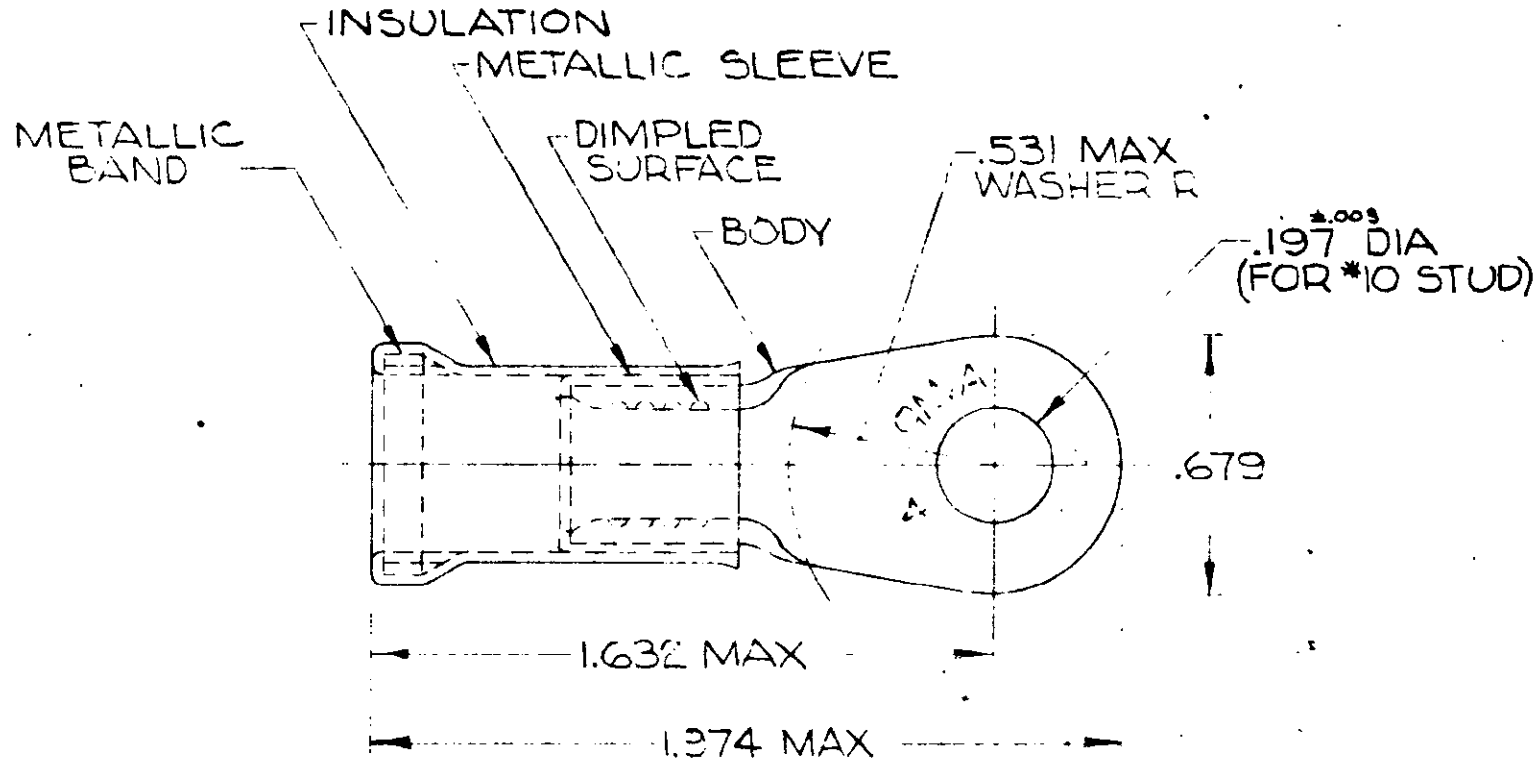


© 1953 BY AMP INCORPORATED. ALL RIGHTS RESERVED. AMP PRODUCTS COVERED BY PATENTS AND/OR PATENTS PENDING.

REVISIONS				
ZONE	LTR	DESCRIPTION	DATE	APPROVED
	B	REDRAWN & UPDATED	FY 8-14-69	Jme
	C	REVISED PER ECN P-7000	8/10/78	HTM
	D	OBsolete 1--0 G-25B1	7mF 2/16/88	MSF
	E	REV PER G-4680	JT 7/27/88	JT
	F	REV / 0720-0199-94	LO 8/2/94	me



FOR .436 MAX WIRE INSULATION DIA.
TONGUE MATERIAL THK = .048 ±.003

OBsolete		322009		1-322009-0	
		ON TAPE			
1	WIRE TERMINAL	322009	METALLIC BAND: STEEL 89-5-698 (ASTM A109) INSULATION: YELLOW PVC METALLIC SLEEVE: COPPER (QQ-C-576) BODY: COPPER (QQ-C-576) TIN PL (MIL-T-10727)		
QTY	DESCRIPTION	PART NO.	MATERIAL & FINISH		
UNLESS OTHERWISE SPECIFIED DIMENSIONS ARE IN INCHES		CONTRACT NO. 4		AMP INCORPORATED HARRISBURG, PENNSYLVANIA	
TOLERANCES ON: DECIMALS ±.008 ANGLES ± 5°		DR. [Signature] 8-12-69		NAME WIRE TERMINAL	
MATERIAL		CHKD [Signature] 8-14-69		AMRLI-BOND-RING TONGUE	
SEE TABLE		APPD [Signature] 8-15-69		WIRE SIZE: 4	
		REL [Signature] 8-18-69		SIZE B	CODE IDENT NO. 00779
		DSGN APPD		NUMBER 322009	
		OTHER APPD		SCALE 2:1	SHEET 1 OF 1