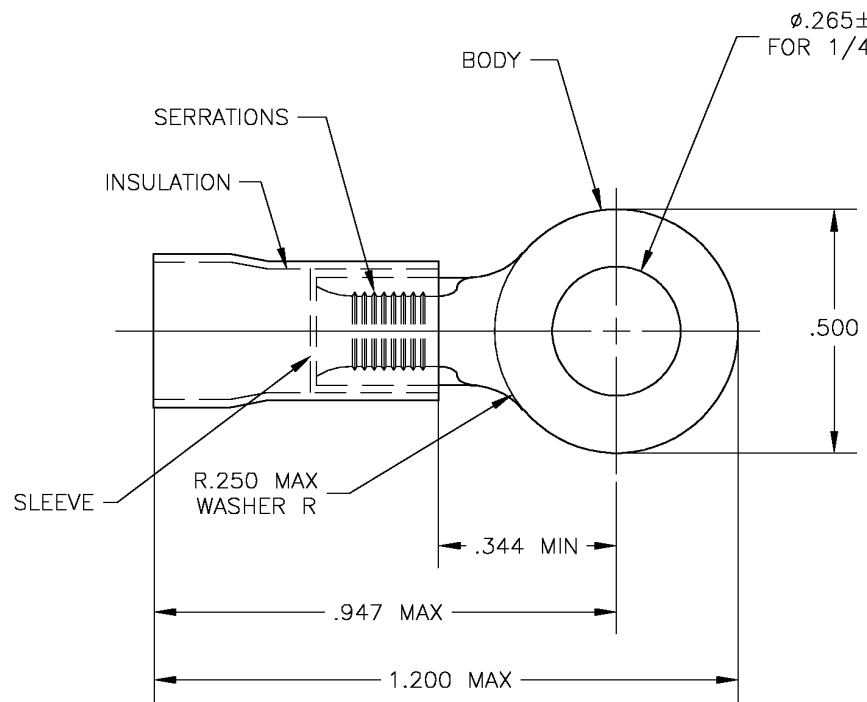


THIS DRAWING IS UNPUBLISHED. RELEASED FOR PUBLICATION  
 © COPYRIGHT BY TYCO ELECTRONICS CORPORATION. ALL RIGHTS RESERVED.

LOC	DIST	REVISIONS			
P	LTR	DESCRIPTION	DATE	DWN	APVD
G	14	K	REV PER 0G3A-0747-03	20NOV03	JR MS



- 1 FOR .150 TO .215 WIRE INSULATION DIA.
- 2 TONGUE THICKNESS IS .049±.002.
- 3 REPLACED BY 35628

<b>OBSOLETE</b> <del>2-35628-1</del> 	BODY: COPPER PER ASTM B-152 ANNEALED TIN PLATE PER ASTM B-545 INSULATION: PVC, COLOR-YELLOW SLEEVE: COPPER PER ASTM B-152 ANNEALED	35628-0
	P/N ON TAPE	MATERIAL & FINISH

THIS DRAWING IS A CONTROLLED DOCUMENT.		DWN	JR RUTH	20NOV03	 Tyco Electronics Corporation Harrisburg, PA 17105
DIMENSIONS: INCHES		CHK	MJ SPICER	20NOV03	
		APVD	MJ SPICER	20NOV03	NAME
TOLERANCES UNLESS OTHERWISE SPECIFIED:		PRODUCT SPEC	PLASTI-GRIP, RING TONGUE, WIRE SIZE: 16-14HD		
0 PLC ± -		APPLICATION SPEC	SIZE	A3	CAGE CODE
1 PLC ± -		WEIGHT	00779	DRAWING NO	35628
2 PLC ± -		CUSTOMER DRAWING	SCALE	4:1	SHEET
3 PLC ± .008			1	OF	1
4 PLC ± -			REV	K	
ANGLES ± 1'					
MATERIAL	FINISH				