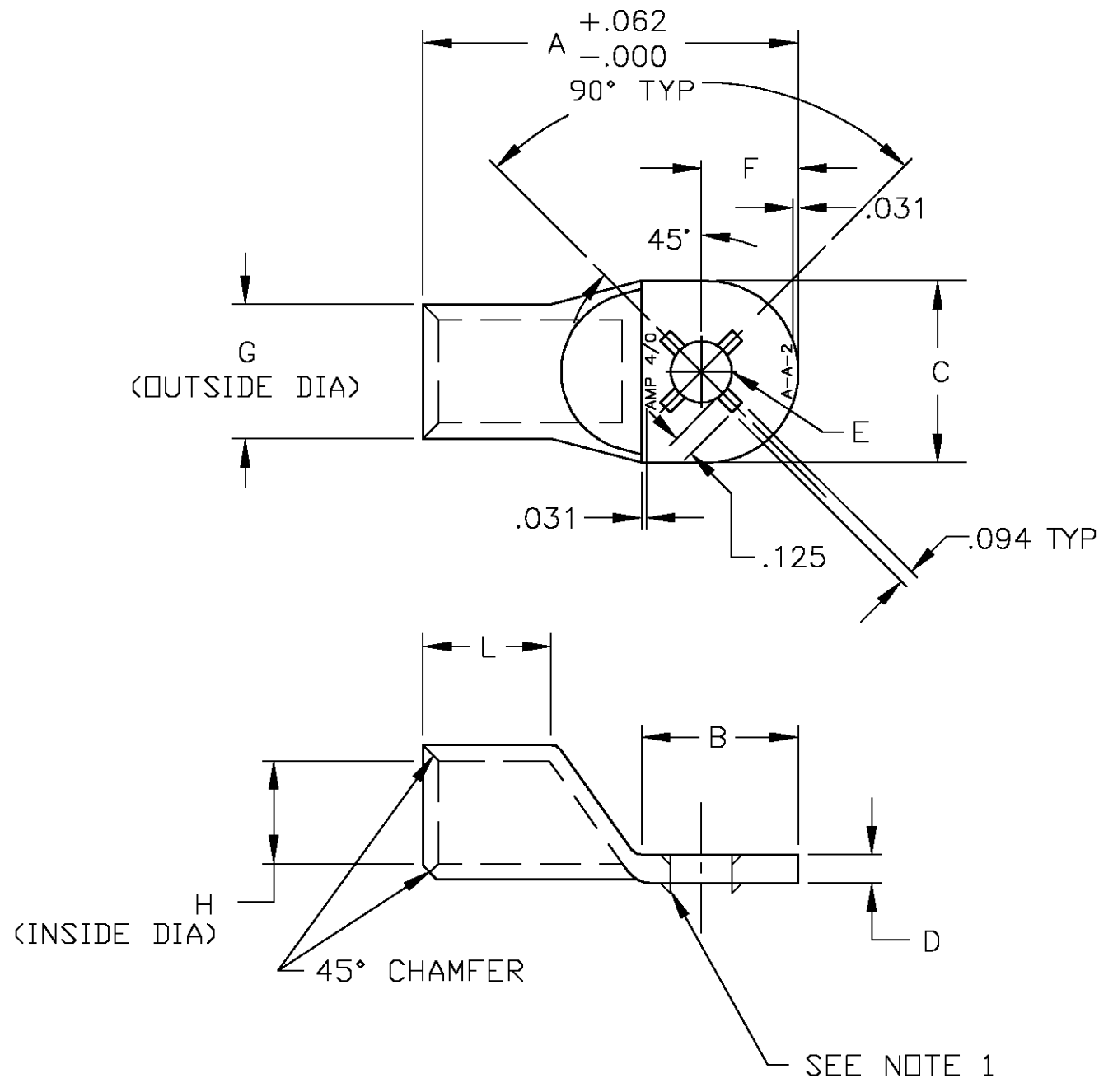


THIS DRAWING IS UNPUBLISHED. RELEASED FOR PUBLICATION  
 © COPYRIGHT BY TYCO ELECTRONICS CORPORATION. ALL RIGHTS RESERVED.

LOC	DIST	REVISIONS					
AA	27	P	LTR	DESCRIPTION	DATE	DWN	APVD
		C		REV PER 0G3A-0088-05	01JUN05	JR	MS

1. LOCKING LANCE FOR P/N -1 and -5 ONLY.



OBSOLETE

.250	.812	.66	.84	.438	∅.266	.20	1.219	.938	2.375	606298-5
.250	.812	.66	.84	.438	∅.266	.20	1.219	.938	2.375	606298-4
.375	.812	.66	.84	.438	∅.391	.20	1.200	1.140	2.460	606298-3
.500	.812	.66	.84	.438	∅.516	.20	1.200	1.140	2.460	606298-2
.375	.812	.66	.84	.438	∅.391	.20	1.200	1.140	2.460	606298-1
BOLT HOLE SIZE	L	H	G	F	E	D	C	B	A	PART NUMBER

DIMENSIONS, INCHES

THIS DRAWING IS A CONTROLLED DOCUMENT.		DWN L. HALL 18APR00	Tyco Electronics Corporation Harrisburg, Pa 17105-3608		
DIMENSIONS: INCHES		CHK L.H. SMITH 12MAY00	AMP TUBULAR TERMINAL 4/0 (ROUND TONGUE)		
TOLERANCES UNLESS OTHERWISE SPECIFIED:		APVD B. ANTHONY 12MAY00	RESTRICTED TO		
0 PLC ± 1 PLC ± 2 PLC ±.02 3 PLC ±.005 4 PLC ±.0005 ANGLES ±3°		PRODUCT SPEC	SIZE A3	CAGE CODE 00779	DRAWING NO C-606298
MATERIAL HIGH CONDUCTIVITY WROUGHT COPPER		FINISH ELECTRO TIN PLATE	WEIGHT	SCALE 1:1	SHEET 1 OF 1
CUSTOMER DRAWING			REV C		