

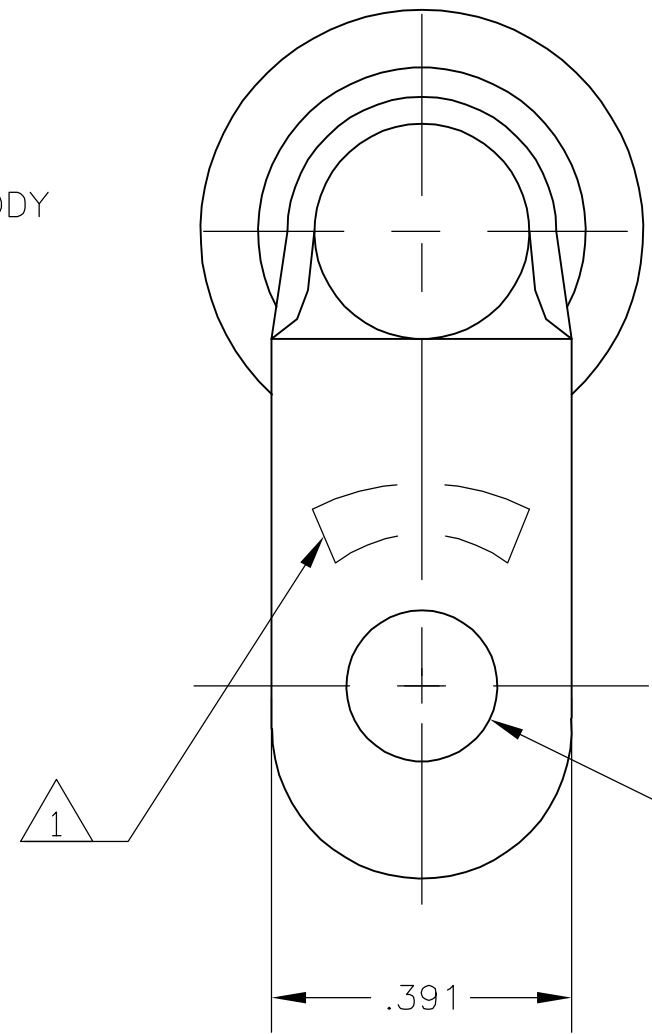
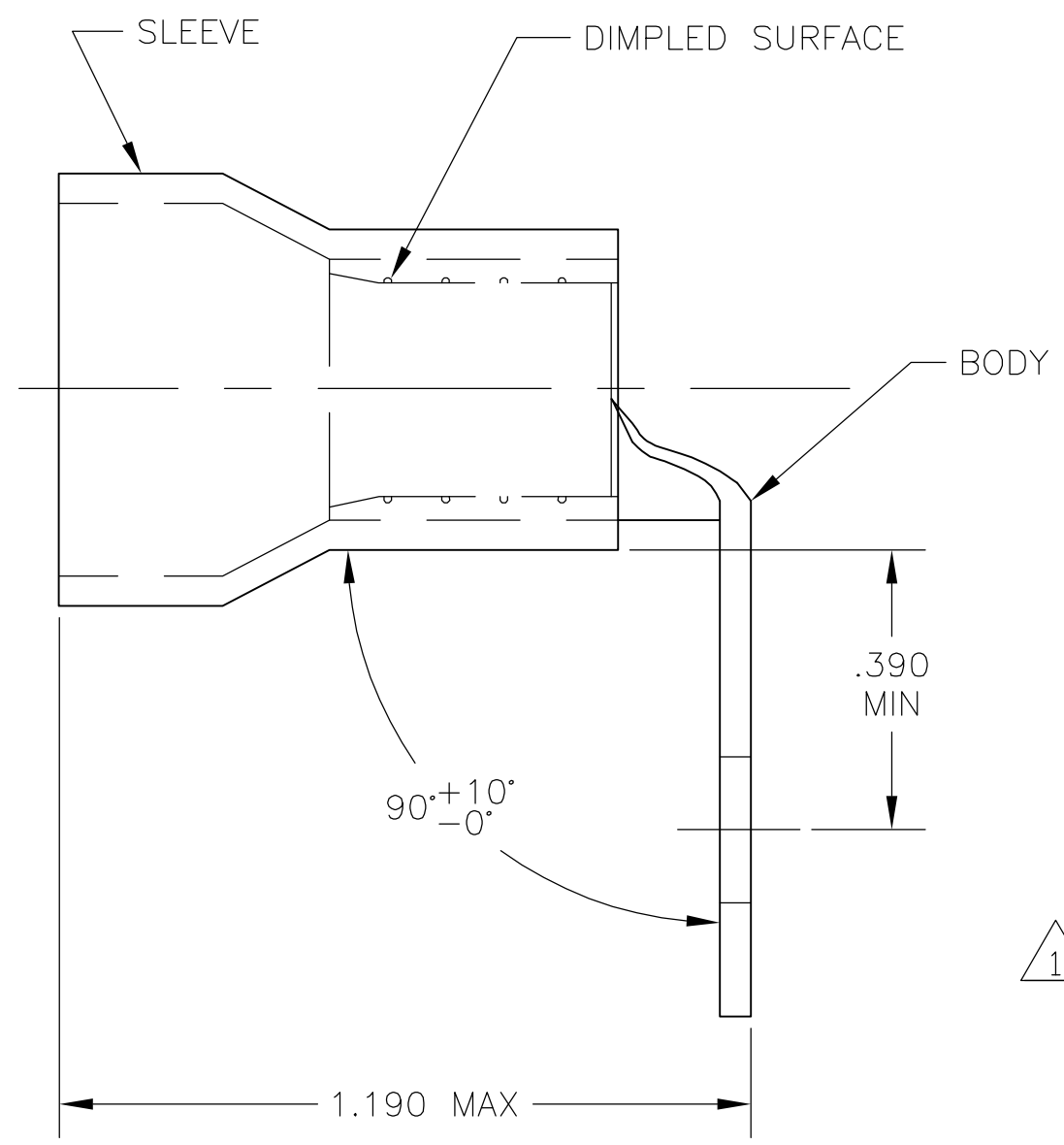
THIS DRAWING IS UNPUBLISHED. RELEASED FOR PUBLICATION  
 © COPYRIGHT BY TYCO ELECTRONICS CORPORATION. ALL RIGHTS RESERVED.

LOC	DIST	REVISIONS					
G	14	P	LTR	DESCRIPTION	DATE	DWN	APVD
			A1	REL PER ECR 06-005202	06MAR06	JR	TM

**AMP**  
WIRE RANGE

---

4 AWG  
STRANDED



- 1 STAMP AMP 4\* LOCATE APPROX AS SHOWN
- 2. TONGUE MATERIAL THK .048±.003
- 3. WIRE INSULATION DIA .515 MAX
- 4 BODY: COPPER PER ASTM B-152  
SLEEVE: PVC, COLOR - YELLOW
- 5 BODY: TIN PLATE PER ASTM B545

∅.197±.003  
FOR #10 STUD

100	LOOSE PC	696434-1
QTY	PACKAGE TYPE	PART NO

**AMP INCORPORATED**  
**CUSTOMER SERVICE SYSTEMS**

FOR ADDITIONAL PRODUCT INFORMATION OR COPIES OF DRAWINGS AND TECHNICAL DOCUMENTS  
 PRODUCT INFORMATION CENTER  
 1-800-522-6752

FOR APPLICATION TOOLING INFORMATION  
 TOOLING ASSISTANCE CENTER  
 1-800-722-1111

FOR ORDER ENTRY  
 1-800-526-5142

MAX RECOMMENDED OPERATING TEMPERATURE:  
90°C

VOLTAGE RATING:  
600V MAX

CIRCULAR MIL AREA:  
16.77-26.65mm<sup>2</sup> [33,100-52,600] STRANDED

THIS DRAWING IS A CONTROLLED DOCUMENT.

DIMENSIONS: MM [ INCHES ]

TOLERANCES UNLESS OTHERWISE SPECIFIED:

0 PLC	± -
1 PLC	± -
2 PLC	± .008
3 PLC	± -
4 PLC	± -
ANGLES	± -
FINISH	± -

MATERIAL - 4

DWN JR RUTH 19DEC05  
 CHK T MICHIELUTTI 19DEC05  
 APVD T MICHIELUTTI 19DEC05

PRODUCT SPEC NOT AVAILABLE  
 APPLICATION SPEC NOT AVAILABLE  
 WEIGHT -

**tyco Electronics** Tyco Electronics Corporation  
 Harrisburg, PA 17105-3608

NAME: TERMINAL, RING TONGUE-BENT 90 PLASTI-GRIP, WIRE SIZE 4 AWG

SIZE: A3 CAGE CODE: 00779 DRAWING NO: C-696434 RESTRICTED TO: -

CUSTOMER DRAWING SCALE: 4:1 SHEET: 1 OF 1 REV: A1