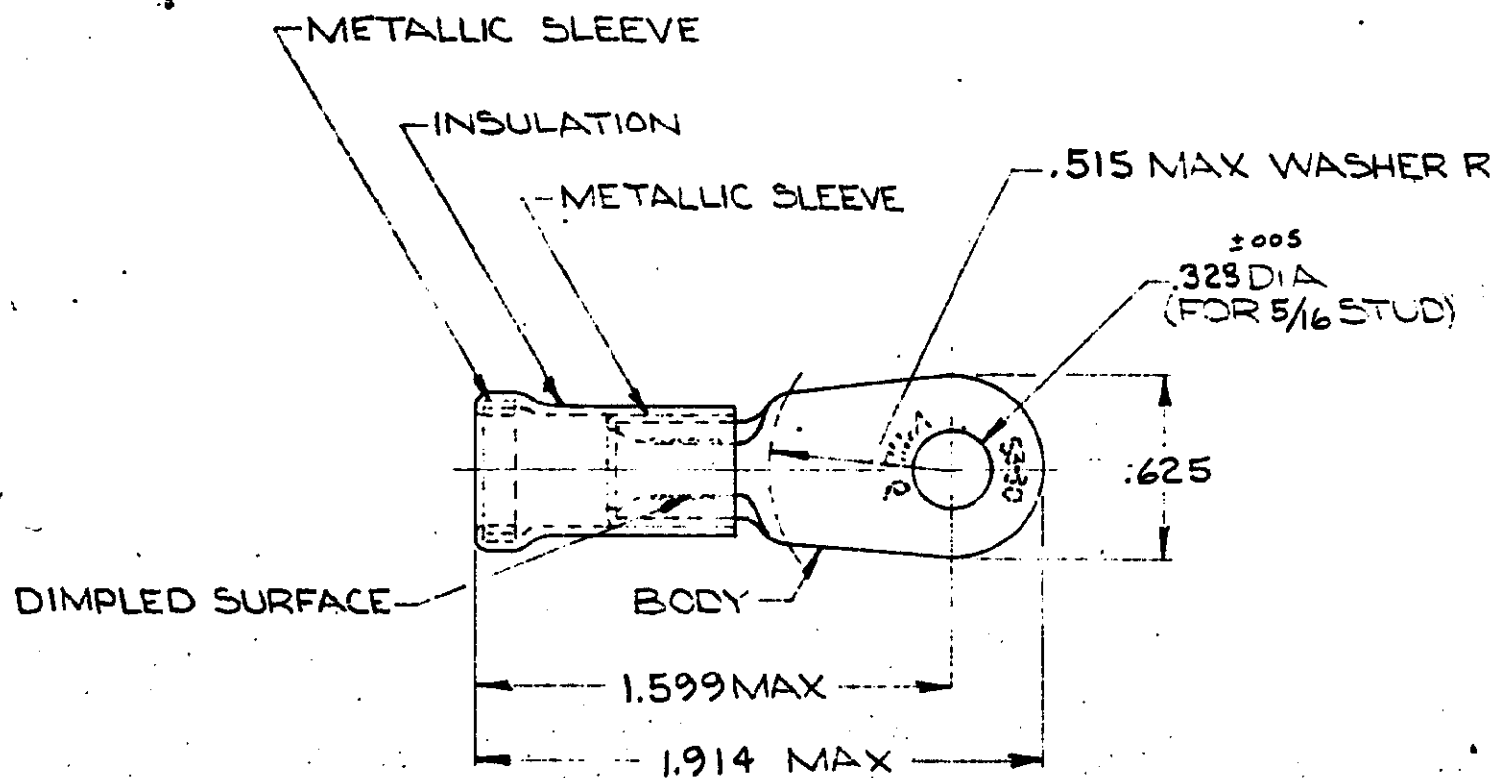


© 1953 BY AMP INCORPORATED. ALL RIGHTS RESERVED. AMP PRODUCTS COVERED BY PATENTS AND/OR PATENTS PENDING.

REVISIONS				
ZONE	L.P.	DESCRIPTION	DATE	APPROVED
C		REDRAWN & REVISED P-5563 SK	1-5-70	Jme
D		ADDED 2-322006-2 NPS 68-0653 (REI. 2)	8-17-70	Jme
E		REVISED REVISION D	9-15-70	FCY
F		INACTIVATED 2-322006-1 P-7054 TP	6-7-73	Jme
G		REV. PER ECN P-7000 RB.	11/23/79	-1-m
H		OBSOLETE 2-1 P-9222 DDT	3-1-82	JSM
J		REV G-4680 TMS	5-6-80	JT
K		OBS. 2--2 PFR G-2693 JT	10/25/88	JT
L		REV/0720-0060-93	4-6-93	TO /ml



TONGUE MATERIAL THICKNESS = .045 ±.003
FOR "A" MAX WIRE INS DIA

TABLE I

20	LOOSE PC. BOX	8-322006-5	BODY: COPPER (QQ-C-576) FINISH: (SEE TABLE II) INSULATION: PVC COLOR: BLUE METALLIC SLEEVE: COPPER (QQ-C-576) METALLIC BAND: STEEL QQ-S-698 (ASTM A109)
1	WIRE TERMINAL	SEE TABLE II	
QTY	DESCRIPTION	PART NO.	MATERIAL & FINISH
UNLESS OTHERWISE SPECIFIED DIMENSIONS ARE IN INCHES TOLERANCES ON: DECIMALS ±.008 ANGLES ±.5°			CONTRACT NO. —
MATERIAL			DR. <i>J. Kautz</i> 11-14-69 CHK. <i>M. E. ...</i> 1-5-70 APPD. <i>L. W. ...</i> 1-7-70 REL. <i>M. E. ...</i> 1-8-70
SEE TABLE I			AMP INCORPORATED HARRISBURG, PENNSYLVANIA
			NAME: -WIRE TERMINAL AMPLI-BOND - RING TONGUE WIRE SIZE: 6
		DSGN APPD	SIZE: B CODE IDENT NO. 00779 NUMBER 322006
		OTHER APPD	SCALE: NTS SHEET 1 OF 1

TABLE II

PART NO.	FINISH	"A"	PART NO. ON TUBE
8-322006-5	TIN PL (MIL-T-10727)	.377	
2-322006-2	TIN PL (MIL-T-10727)	.436	OBSOLETE
2-322006-1	GOLD PL. (MIL-G-45204) TYPE II 00005 MIN EXT THK OVER		OBSOLETE
	NICKEL PL (QQ-N-290) 00003 MIN. EXT. THK.	.377	
322006	TIN PL (MIL-T-10727)		2-322006-3
PART NO.	FINISH	"A"	PART NO. ON TUBE