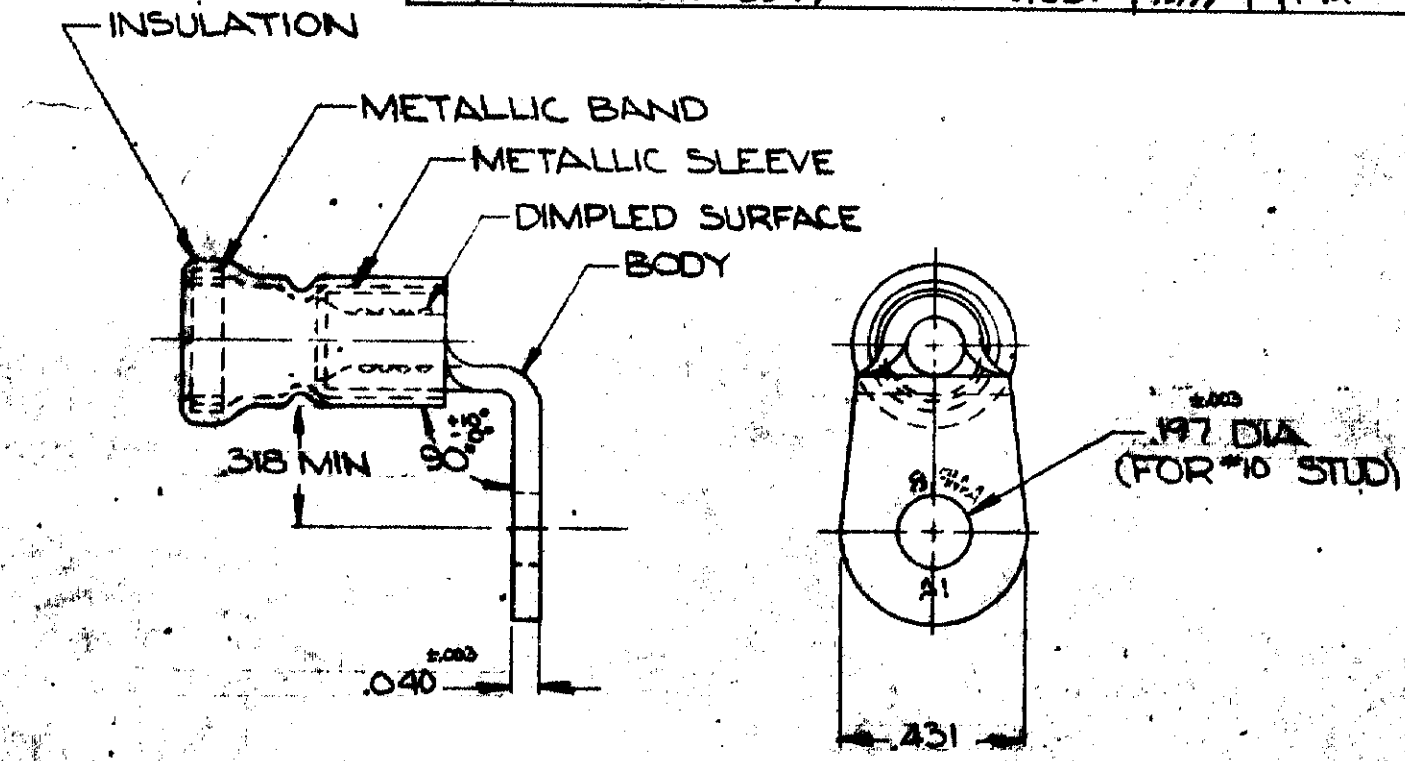


DRAWING MADE IN AMERICAN PROJECTION

LOC G 14 (B)

© 1967 BY AMP INCORPORATED. ALL RIGHTS RESERVED. AMP PRODUCTS COVERED BY PATENTS AND/OR PATENTS PENDING.

REVISIONS				
LTR	DESCRIPTION	DATE	APPROVED	
A	REDRAW & REVISED P-8563	1-5-70	<i>YML</i>	
B	REV. PER P-8347	4/9/79	<i>REB.</i>	



FOR 298 MAX WIRE INS. DIA.

1	WIRE TERMINAL	322880	BODY: COPPER (QQ-C-576)
			TIN PL (MIL-T-10727)
			INSULATION: PVC COLOR: RED
			METALLIC SLEEVE: COPPER (QQ-C-576)
			METALLIC BAND: STEEL (MIL-S-4174)
QTY	DESCRIPTION	PART NO.	MATERIAL & FINISH
UNLESS OTHERWISE SPECIFIED DIMENSIONS ARE IN INCHES			<p>AMP INCORPORATED HARRISBURG, PENNSYLVANIA</p>
TOLERANCES ON:			
DECIMALS ±.008			
ANGLES ± 5°			
MATERIAL			
SEE TABLE			<p>NAME: WIRE TERMINAL</p> <p>AMPLI-BOND-RING TONGUE-BENT 90°</p> <p>WIRE SIZE: 8</p>
CONTRACT NO.			SIZE
DR. <i>L. Epler</i> 11-7-69			CODE IDENT NO.
CHK. <i>Am Ewing</i> 1-5-70			NUMBER
APPD. <i>Loebel</i> 1-6-70			A 00779 322880
REV. <i>Am Ewing</i> 1-7-70			
DSGN APPD.			
OTHER APPD.			