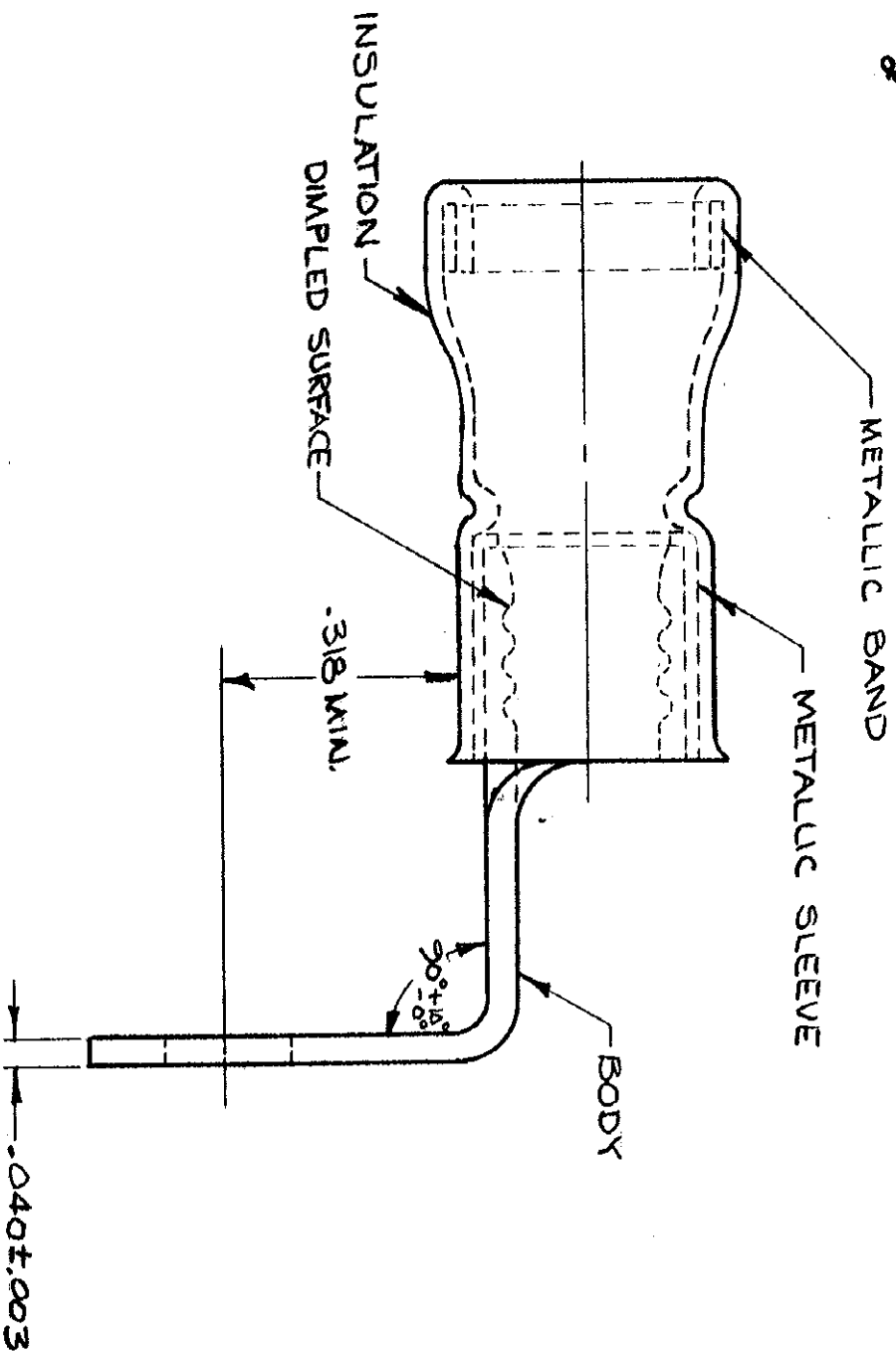


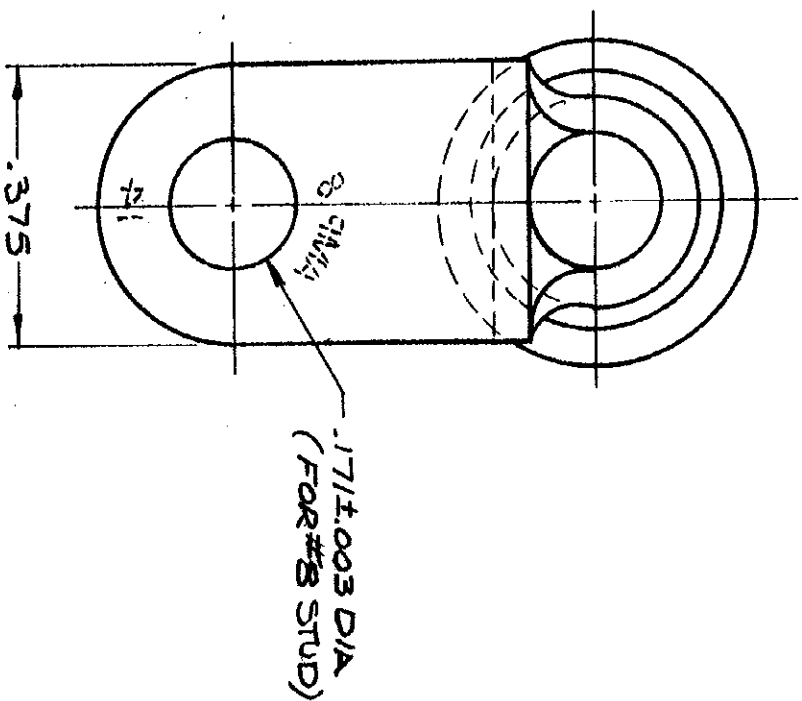
DRAWING MADE IN THIRD ANGLE PROJECTION

© COPYRIGHT 1978 BY AMP INCORPORATED, HARRISBURG, PA.
 ALL INTERNATIONAL RIGHTS RESERVED. AMP INCORPORATED PRODUCTS
 COVERED BY U. S. AND FOREIGN PATENTS AND/OR PATENTS PENDING.

ALL DIMENSIONS ARE IN INCHES
 UNLESS OTHERWISE SPECIFIED
 TOLERANCES ON:
 DECIMALS ± .008
 ANGLES ± 5°



FOR .298 MAX DIA. WIRE INSULATION



REVOLUTIONS		DATE	APPROVED
P	F		
✓	✓	1-3-78	CE
✓	✓	4/17/79	REB
✓	✓	5-9-80	JT

REV	DESCRIPTION	DATE	APPROVED
0	NPS 77-0307	CE	1-3-78
A	REV. PER P-8347	REB	4/17/79
B	REV G-4680	JT	5-9-80

BODY: COPPER (QQ-C-576)	
INSULATION: PVC COLOR: RED	
METALLIC SLEEVE: COPPER (QQ-C-576)	54575-1
METALLIC BAND: STEEL QQ-S-698 ASTM A109	
MATERIAL & FINISH	PART NO

UNLESS OTHERWISE SPECIFIED DIMENSIONS ARE IN INCHES. TOLERANCES ON: DECIMALS ± .008 ANGLES ± 5°		CONTRACT NO 15-78	
MATERIAL SEE TABLE		DR P. H. HALL	CHK P. H. HALL
FINISH SEE TABLE		APPD 1-4-78	APPD 1-4-78
NAME WIRE TERMINAL		AMP INCORPORATED Harrisburg, Pa.	
SIZE B		DRAWING NO 54575	
CODE IDENT NO 00779		SHEET 1 of 1	
SCALE 4:1		SHEET 1 of 1	

CUSTOMER DRAWING

AMP 1470-15 (7-73)