

4

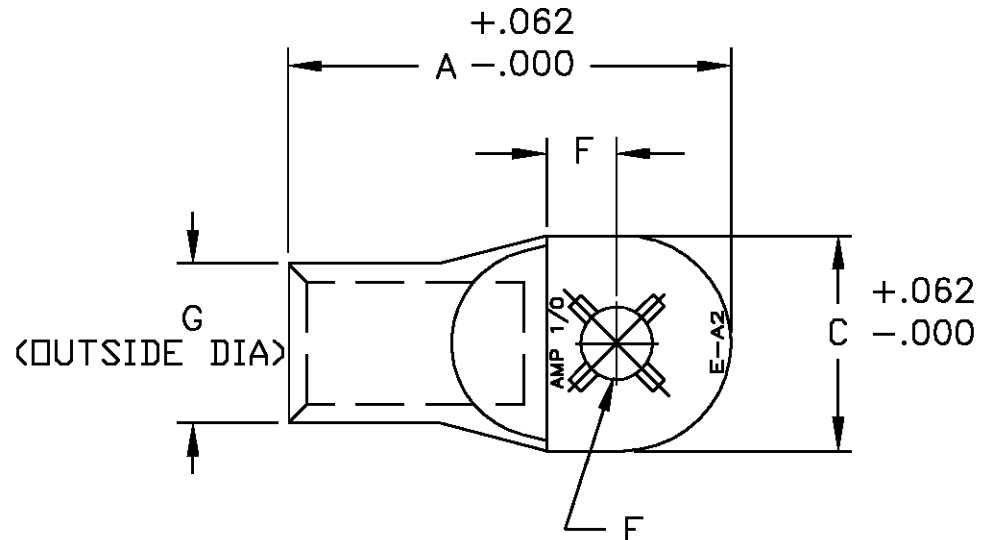
3

2

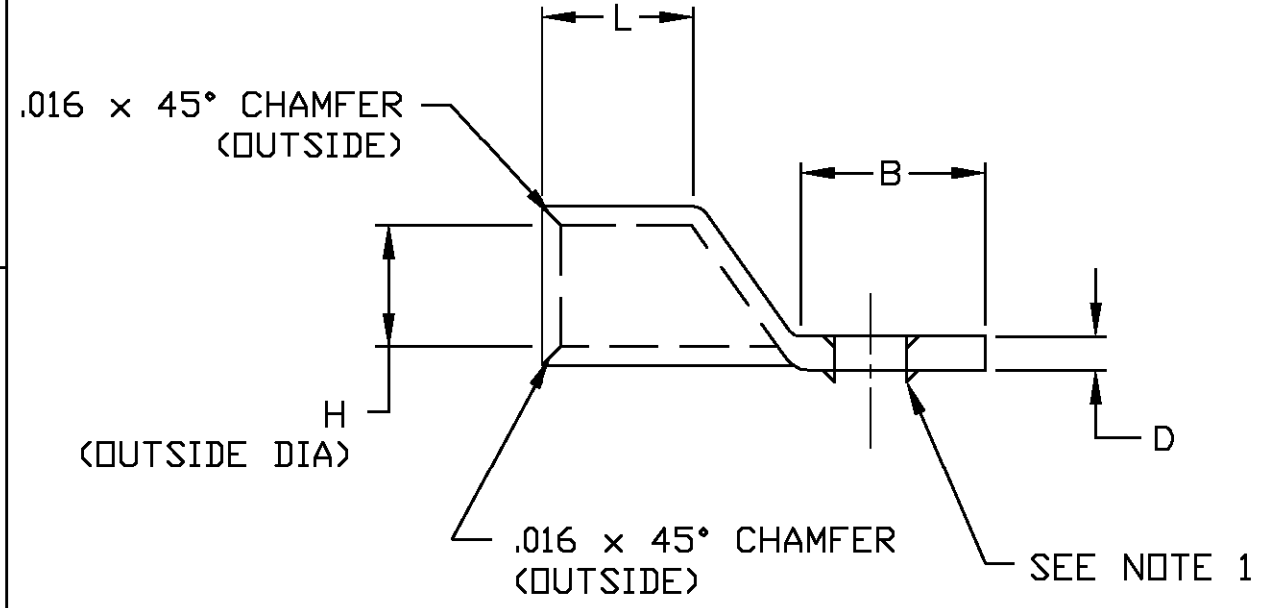
1

THIS DRAWING IS UNPUBLISHED. RELEASED FOR PUBLICATION .19
 © COPYRIGHT 19 BY AMP INCORPORATED. ALL RIGHTS RESERVED.

LOC	DIST	REVISIONS				
P	LTR	DESCRIPTION	DATE	DWN	APVD	
AA	27	B	REDWN & REV; OG1Z-0042-99	12MAY00	LMH/LHS	



1. LOCKING LANCE FOR P/N -2 AND -7 ONLY.



.250	.750	.469	.609	.438	Ø.266	.141	.86	.938	2.125	606716-7
.250	.750	.469	.609	.438	Ø.266	.141	.86	.938	2.125	606716-6
.375	.750	.469	.609	.438	Ø.391	.141	.86	.938	2.125	606716-5
.500	.750	.469	.609	.500	Ø.516	.141	.86	.938	2.125	606716-4
.438	.750	.469	.609	.438	Ø.453	.141	.86	.938	2.125	606716-3
.375	.750	.469	.609	.438	Ø.391	.141	.86	.938	2.125	606716-2
.312	.750	.469	.609	.438	Ø.328	.141	.86	.938	2.125	606716-1
BOLT HOLE SIZE	L	H	G	F	E	D	C	B	A	PART NUMBER

THIS DRAWING IS A CONTROLLED DOCUMENT.		DWN L. HALL 18APR00	AMP Incorporated Harrisburg PA 17105-3608		
DIMENSIONS: INCHES		CHK L.H. SMITH 12MAY00			
TOLERANCES UNLESS OTHERWISE SPECIFIED:		APVD B. ANTHONY 12MAY00	NAME AMP TUBULAR TERMINAL 1/0 (ROUND TONGUE)		
		PRODUCT SPEC	SIZE A3 00779		
0 PLC ± 1 PLC ± 2 PLC ± .02 3 PLC ± .005 4 PLC ± .0005 ANGLES ± 3'		APPLICATION SPEC	DRAWING NO C=606716		
MATERIAL HIGH CONDUCTIVITY WROUGHT COPPER		FINISH ELECTRO TIN PLATE	WEIGHT -	RESTRICTED TO	
CUSTOMER DRAWING			SCALE NTS	SHEET 1 OF 1	REV B