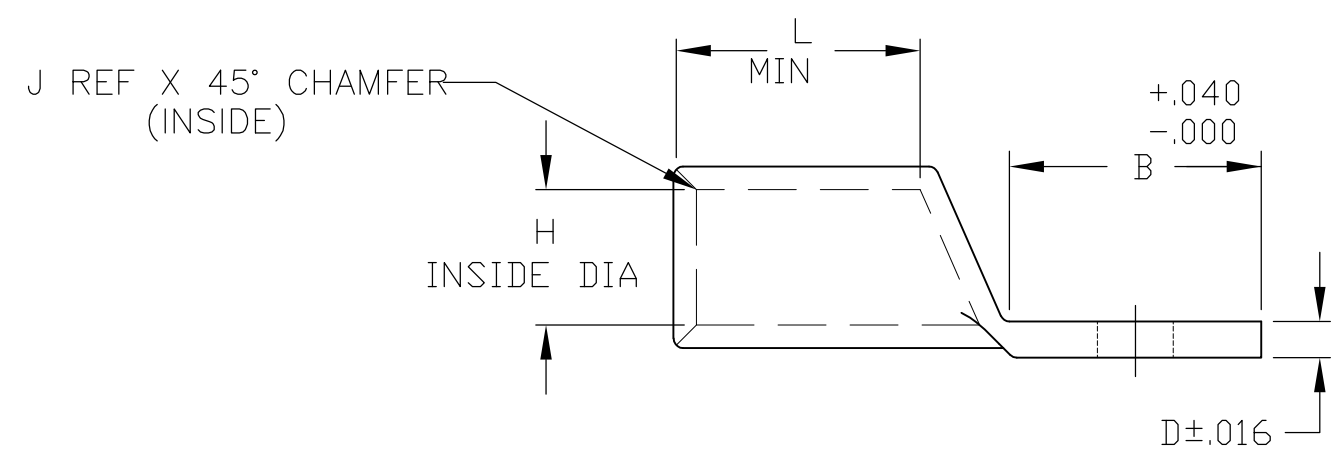
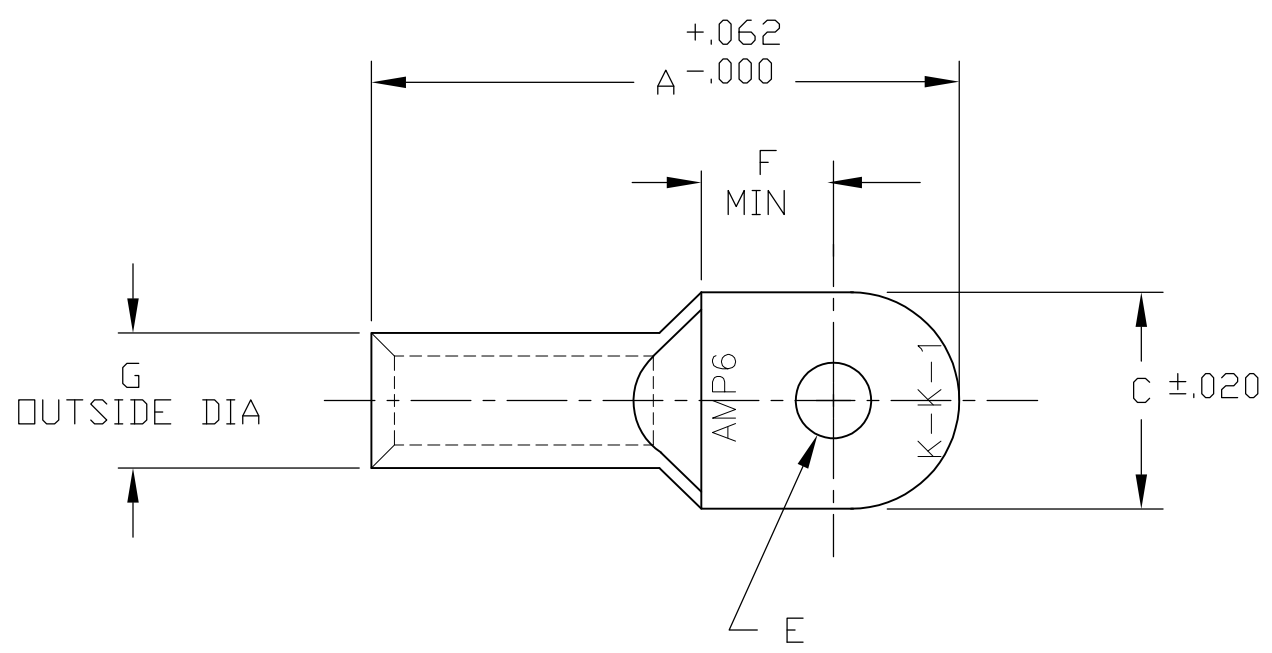


THIS DRAWING IS UNPUBLISHED. RELEASED FOR PUBLICATION
 © COPYRIGHT BY TYCO ELECTRONICS CORPORATION. ALL RIGHTS RESERVED.

LOC	DIST	REVISIONS					
G	86	P	LTR	DESCRIPTION	DATE	DWN	APVD
		B1		REV PER ECR 08-015124	13JUN08	JR	CK

1 HIGH CONDUCTIVITY WROUGHT COPPER ANNEALED



OBSOLETE	.750	.031	.232	.352	.420	∅.197	.094	.563	.813	1.813	606288-5
	.750	.031	.232	.352	.420	∅.390	.094	.563	.813	1.813	606288-3
	.750	.031	.232	.352	.420	∅.328	.094	.563	.813	1.813	606288-2
	.750	.031	.232	.352	.420	∅.265	.094	.563	.813	1.813	606288-1
	L	J	H	G	F	E	D	C	B	A	PART NUMBER

THIS DRAWING IS A CONTROLLED DOCUMENT.		DWN	jr_ruth	01JUN05	<p>OBSOLETE NOT the LATEST REVISION</p>	Tyco Electronics Corporation Harrisburg, Pa 17105-3608				
DIMENSIONS: INCHES		CHK	MJ SPICER	01JUN05		AMP TUBULAR TERMINAL 6 AWG	SIZE	A3		
TOLERANCES UNLESS OTHERWISE SPECIFIED:		APVD	MJ SPICER	01JUN05			CAGE CODE	00779		
0 PLC ± - 1 PLC ± - 2 PLC ± .02 3 PLC ± .005 4 PLC ± .0005 ANGLES ± 5°		PRODUCT SPEC	NAME			DRAWING NO	C-606288			
MATERIAL: 1		FINISH	TIN PLATED		WEIGHT	-				
CUSTOMER DRAWING					SCALE	1:1	SHEET	1 OF 1	REV	B1