

4

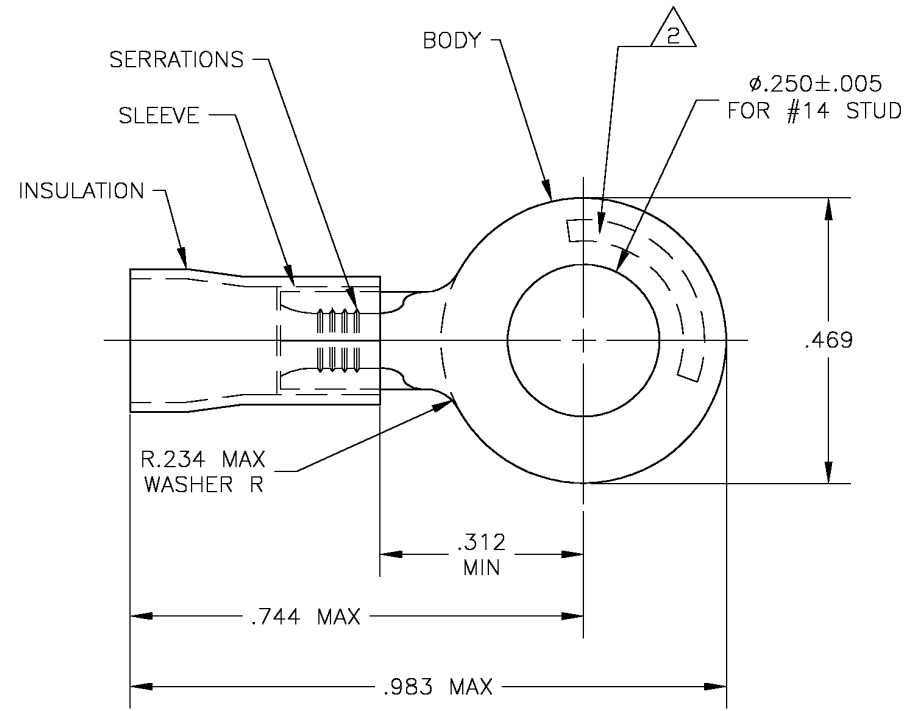
3

2

1

THIS DRAWING IS UNPUBLISHED. RELEASED FOR PUBLICATION
 © COPYRIGHT BY TYCO ELECTRONICS CORPORATION. ALL RIGHTS RESERVED.

LOC	DIST	REVISIONS			
P	LTR	DESCRIPTION	DATE	DWN	APVD
G	14	F	REDRAWN PER 0G3A-0614-03	03OCT03	JR MS



- 1 TONGUE THK IS .040±.002
- 2 STAMP "AMP 20-16 HD*" LOCATED ON BOTTOM, APPROX AS SHOWN
- 3 BODY: COPPER PER ASTM B152
 TIN PLATE ASTM B545
 SLEEVE: COPPER PER ASTM B152
 TIN PLATE ASTM B545
 INSULATION: PVC, COLOR - GREEN
- 4 FOR .115 TO .170 WIRE INSULATION DIA.

OBSOLETE	2-36273-1	36273-0
	PART # ON TAPE	PART NO

THIS DRAWING IS A CONTROLLED DOCUMENT.		DWN jr ruth 03OCT03	Tyco Electronics Corporation Harrisburg, PA 17105	
DIMENSIONS: INCHES		CHK MJ SPICER 03OCT03		
TOLERANCES UNLESS OTHERWISE SPECIFIED:		APVD MJ SPICER 03OCT03	NAME	
0 PLC ± - 1 PLC ± - 2 PLC ± - 3 PLC ± .008 4 PLC ANGLS ± 5°		PRODUCT SPEC -	TERMINAL, PLASTI-BOND, RING TONGUE, WIRE SIZE: 20-16 H.D.	
MATERIAL -	FINISH -	APPLICATION SPEC -	SIZE A3	CAGE CODE 00779
MATERIAL -		WEIGHT -	DRAWING NO C=36273	
MATERIAL -		CUSTOMER DRAWING		RESTRICTED TO -
MATERIAL -		SCALE 5:1	SHEET 1 OF 1	REV F