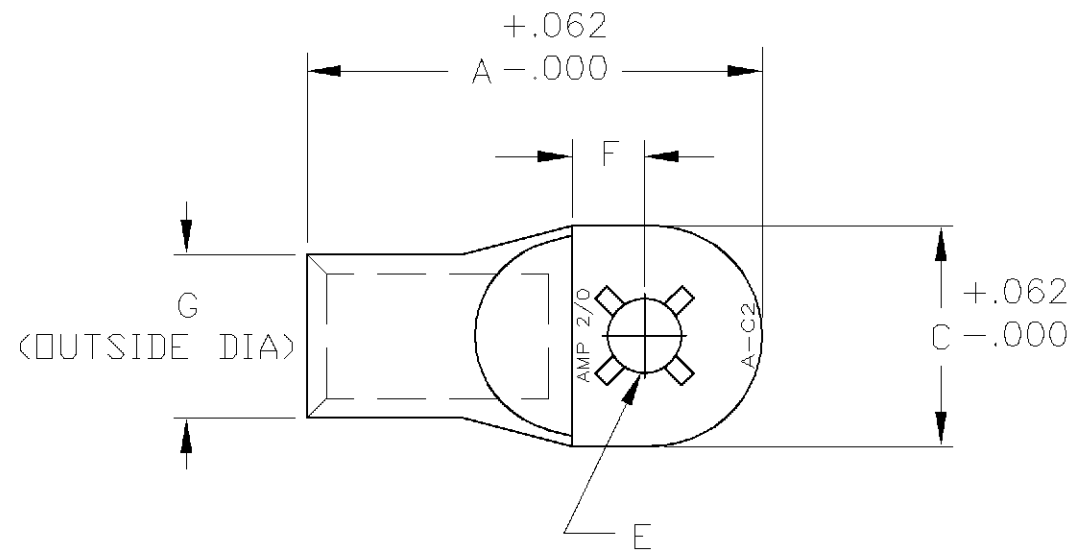
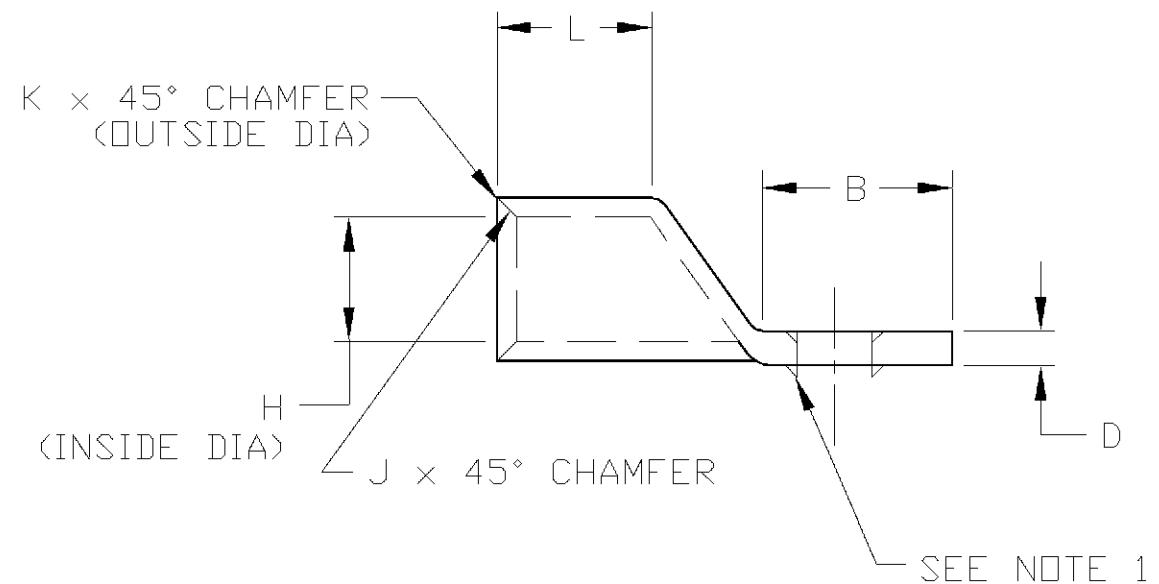


THIS DRAWING IS UNPUBLISHED. RELEASED FOR PUBLICATION .19
 © COPYRIGHT 19 BY AMP INCORPORATED. ALL RIGHTS RESERVED.

LOC	DIST	REVISIONS				
P	LTR	DESCRIPTION	DATE	DWN	APVD	
AA	27	F	REDWN & REV; OG1Z-0010-99	12MAY00	LMH/LHS	



1. LOCKING LANCE FOR P/N -1 ONLY



.375	.850	.016	.031	.490	.650	.565	∅.39	.170	.925	1.080	2.25	606296-3
.500	.850	.016	.031	.490	.650	.565	∅.515	.170	.925	1.080	2.25	606296-2
.375	.850	.016	.031	.490	.650	.565	∅.39	.170	.925	1.080	2.25	606296-1
BOLT HOLE SIZE	L	K	J	H	G	F	E	D	C	B	A	PART NUMBER

DIMENSIONS, INCHES

THIS DRAWING IS A CONTROLLED DOCUMENT.		DWN	L. HALL	18APR00	 AMP Incorporated Harrisburg, PA 17105-3608 OBSELETE NOT the LATEST REVISION
		CHK	L.H. SMITH	12MAY00	
		APVD	B. ANTHONY	12MAY00	
		PRODUCT SPEC			
DIMENSIONS: INCHES	TOLERANCES UNLESS OTHERWISE SPECIFIED:				NAME
	0 PLC ±				AMP TUBULAR TERMINAL 2/0
	1 PLC ±				(ROUND TONGUE)
	2 PLC ± .02				SIZE
	3 PLC ± .005				CAGE CODE
	4 PLC ± .0005				DRAWING NO
	ANGLES ± 3'				RESTRICTED TO
MATERIAL	FINISH				WEIGHT
HIGH CONDUCTIVITY	ELECTRO TIN PLATE				A3
WROUGHT COPPER					00779
					C-606296
					CUSTOMER DRAWING
					SCALE
					NTS
					SHEET
					1 OF 1
					REV
					F