



**ANATECH ELECTRONICS INC**  
RF & Microwave Filters & Products

# 1500 MHz LC Bandpass Filter

Part Number: AE1500B9827



## Electrical specifications

**Center Frequency:** 1500MHz  
**Insertion Loss @ fc:** <3dB  
**Return Loss @ fc:** >14dB  
**Rejection:** >10dB @ 100kHz  
>30dB @ 1-10 MHz

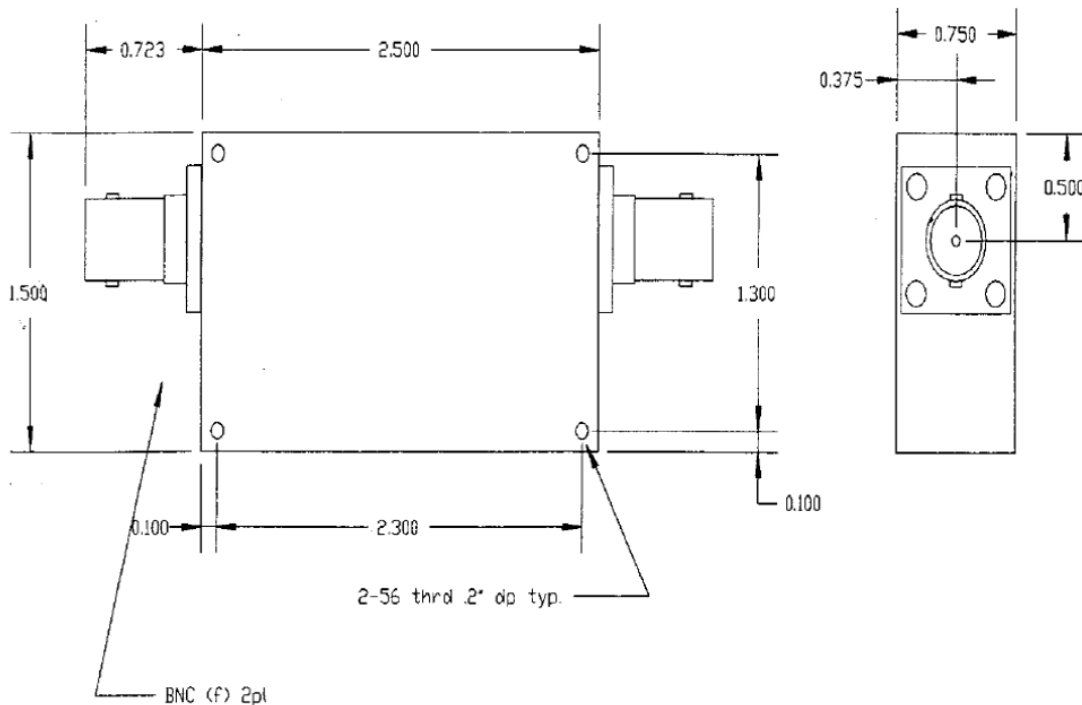
## Mechanical

**Connector Type:** BNC (F)  
**Mounting Method:** Threaded Mounting Holes  
**Dimensions:** 2.5 x 1.5 x 0.750 Inches

## Environmental

**Storage Temperature:** -55C to +95C  
**Operating Temperature:** -45C to +85C  
**Shock:** 20 G. 11ms  
**Vibration:** 20 G. 5 to 200 MHz

## Outline Drawing:





### Response Plot:

