



1845 MHz Bandstop Notch Filter



ANATECH ELECTRONICS INC
RF & Microwave Filters & Products

Part Number: AE1845NS2182

Electrical Specifications

- Notch Center Frequency:** 1845 MHz
- Notch Bandwidth:** 70 MHz (1810-1880 MHz)
- Notch Rejection:** 50.0 dB Min
- Passband Below Notch:** 80-1740 MHz
- Passband Above Notch:** 1960-6000 MHz
- Low Side Passband Insertion Loss:** <3.2 dB @ 1740 MHz
- High Side Passband Insertion Loss:** <3 dB @ 1960 MHz
- Return Loss:** >15 dB
- Impedance:** 50 Ω
- Power Handling:** 2 Watts Max

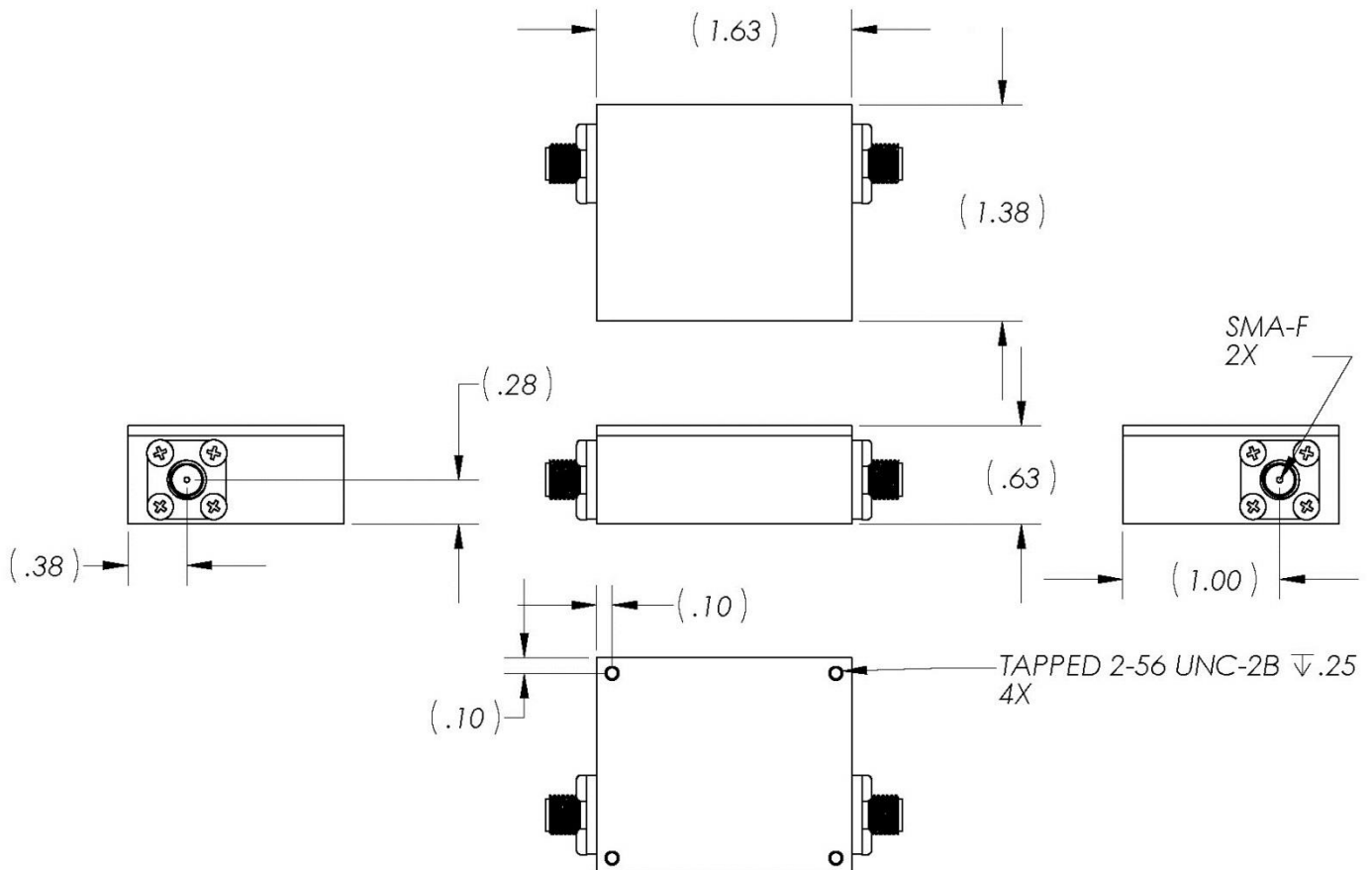
Mechanical

- Connector Type:** SMA (F)
- Dimensions:** 1.63 x 1.38 x 0.63 Inches

Environmental

- Operating Temperature:** -20 to +70° C

Outline Drawing:



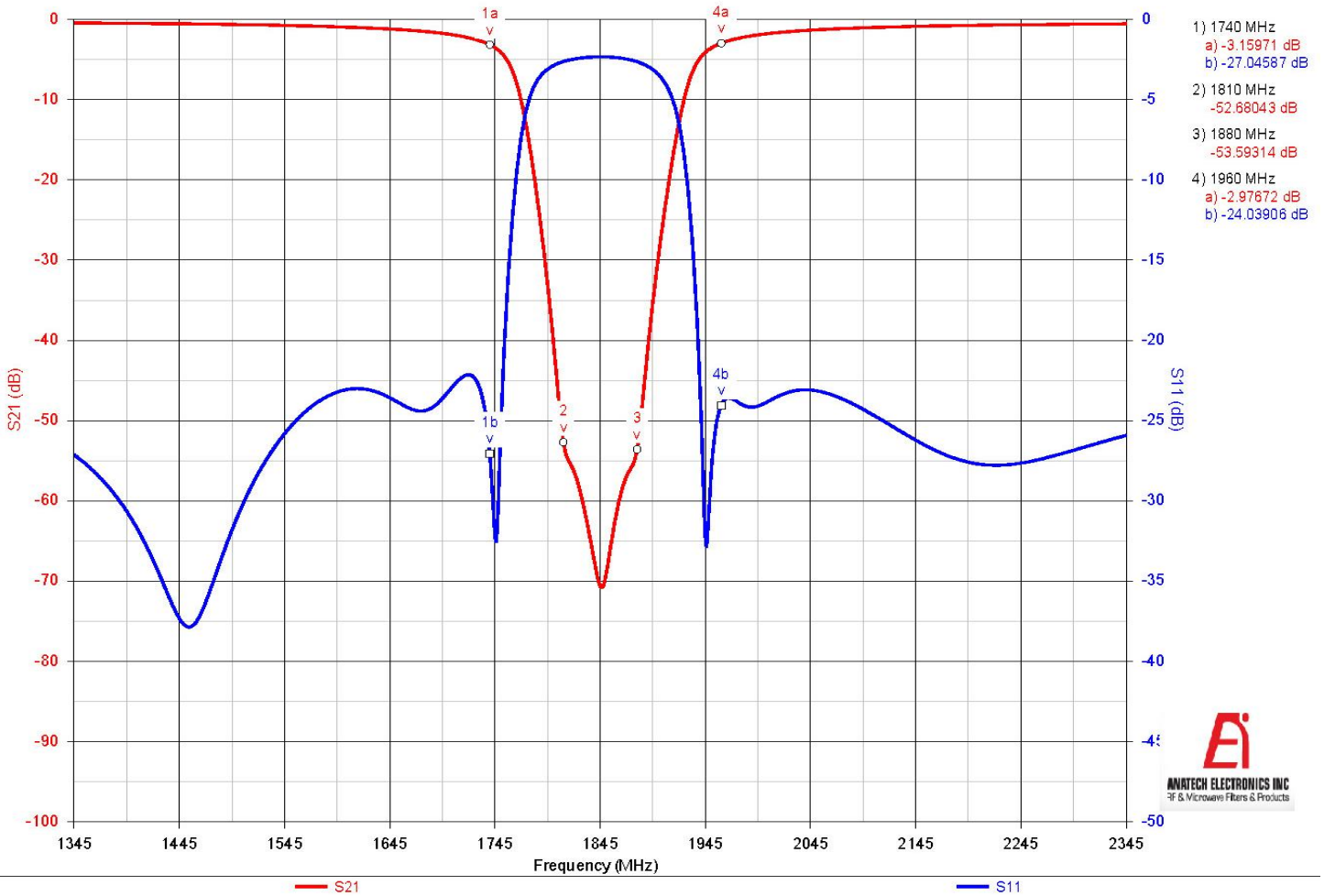


1845 MHz Bandstop Notch Filter

Part Number: AE1845NS2182



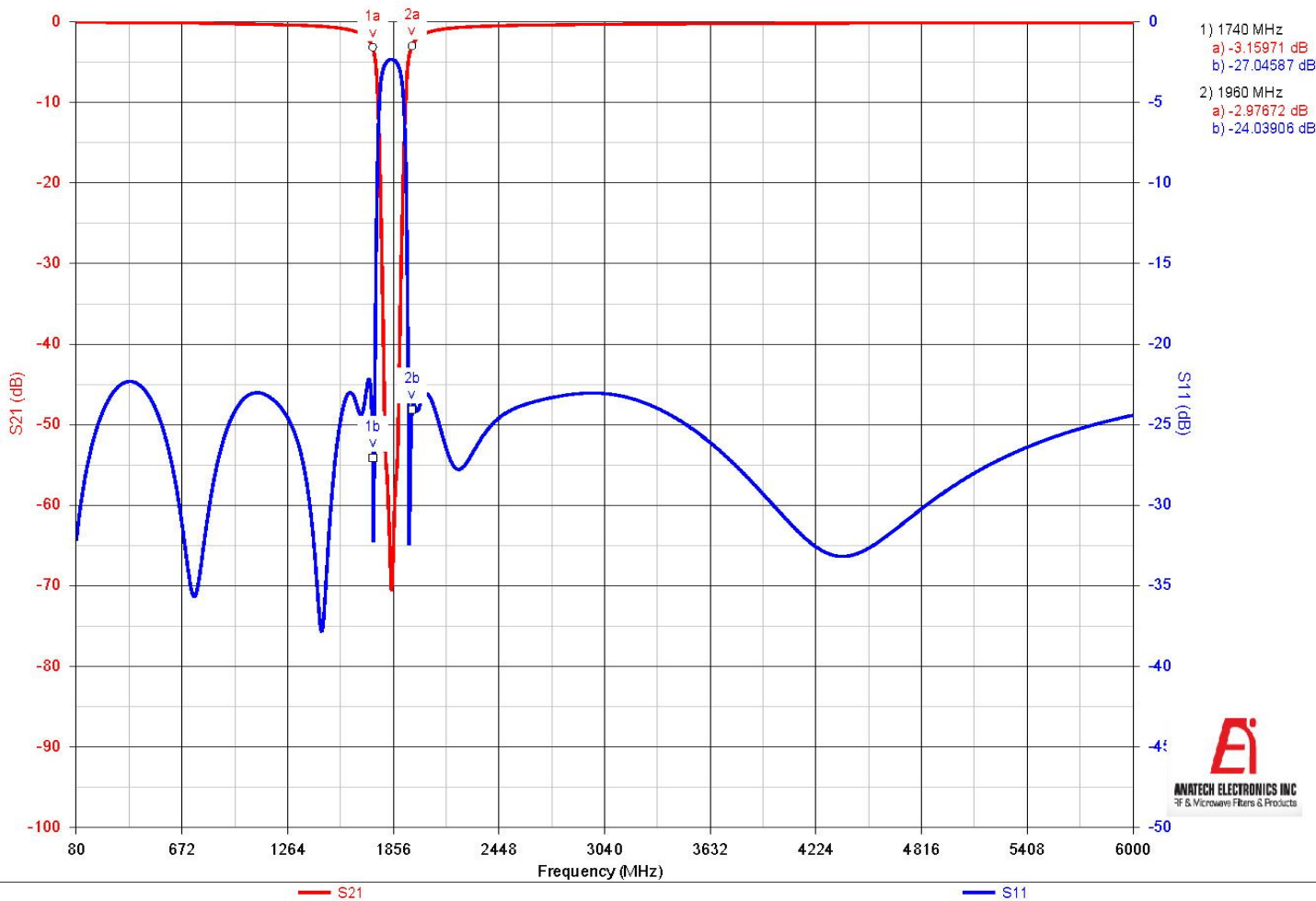
Response Plot:



Note: This is a simulation plot. Actual results may differ once the product is implemented.



Response Plot:



Note: This is a simulation plot. Actual results may differ once the product is implemented.