



ANATECH ELECTRONICS INC
RF & Microwave Filters & Products

512 MHz LC Band Pass Filter

Part Number: AE512B5458



Electrical Specifications

Center Frequency: 512 MHz
3dB Passband: 431-609 MHz
Insertion Loss: 3dB Max.
Return Loss: 14.0dB Min.
Rejection1: 40 dB Min @ 363 MHz
Rejection2: 40 dB Min @ 722 MHz
Power Handling: 10 W

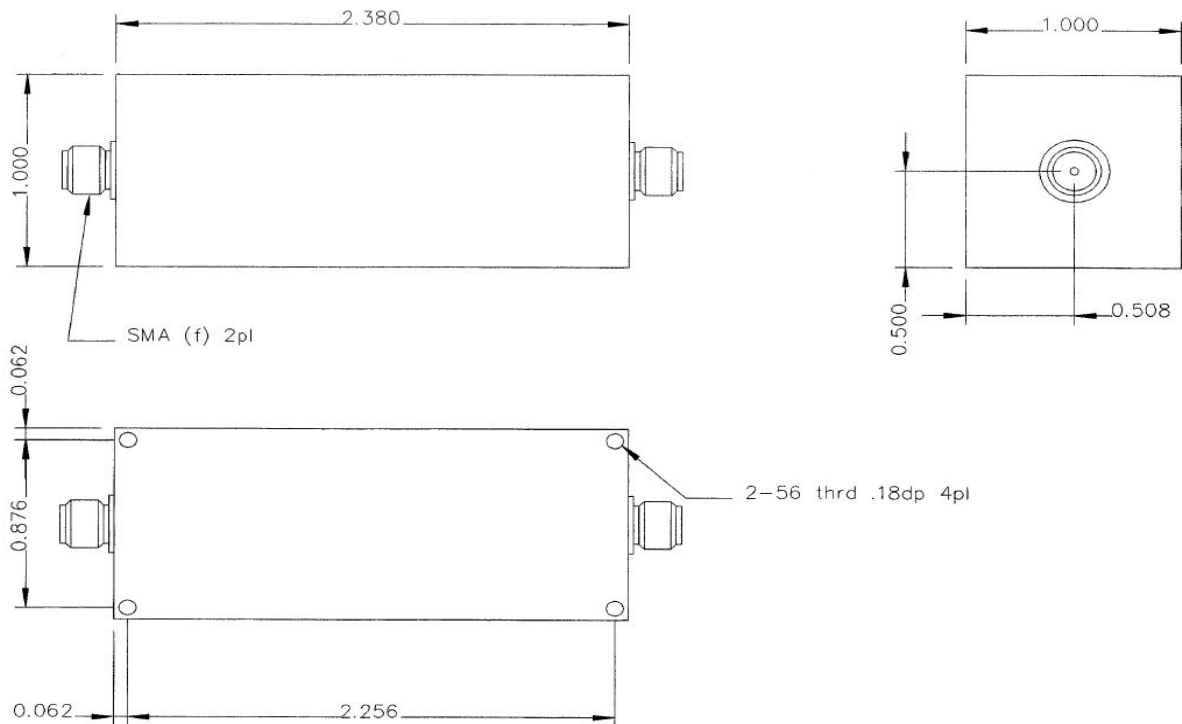
Mechanical

Mounting Method: Threaded Holes
Connector Type: SMA(F)
Dimensions: 2.38" X 1.0" x 1.0".

Environmental

Operating Temperature: -25°C to +70°C
Storage Temperature: -40°C to +90°C
Shock: 10 G. 11ms
Vibration: 10 G. 5 to 200Hz

Outline Drawing:



Tolerance: +/-0.01 inches [+/-0.3mm] Angles: +/-1 Deg.

*Tolerance as shown unless otherwise specified in the datasheet electrical specification tables above.

*When max dimensions are called out the above tolerances do not apply as long as it is under the max call out.

70 Outwater Lane Phone: (973) 772-4242
Garfield, NJ 07026 Fax : (973) 321-3941

Email: sales@anatechelectronics.com
Web: www.anatechelectronics.com



ANATECH ELECTRONICS INC
RF & Microwave Filters & Products

512 MHz LC Band Pass Filter

Part Number: AE512B5458

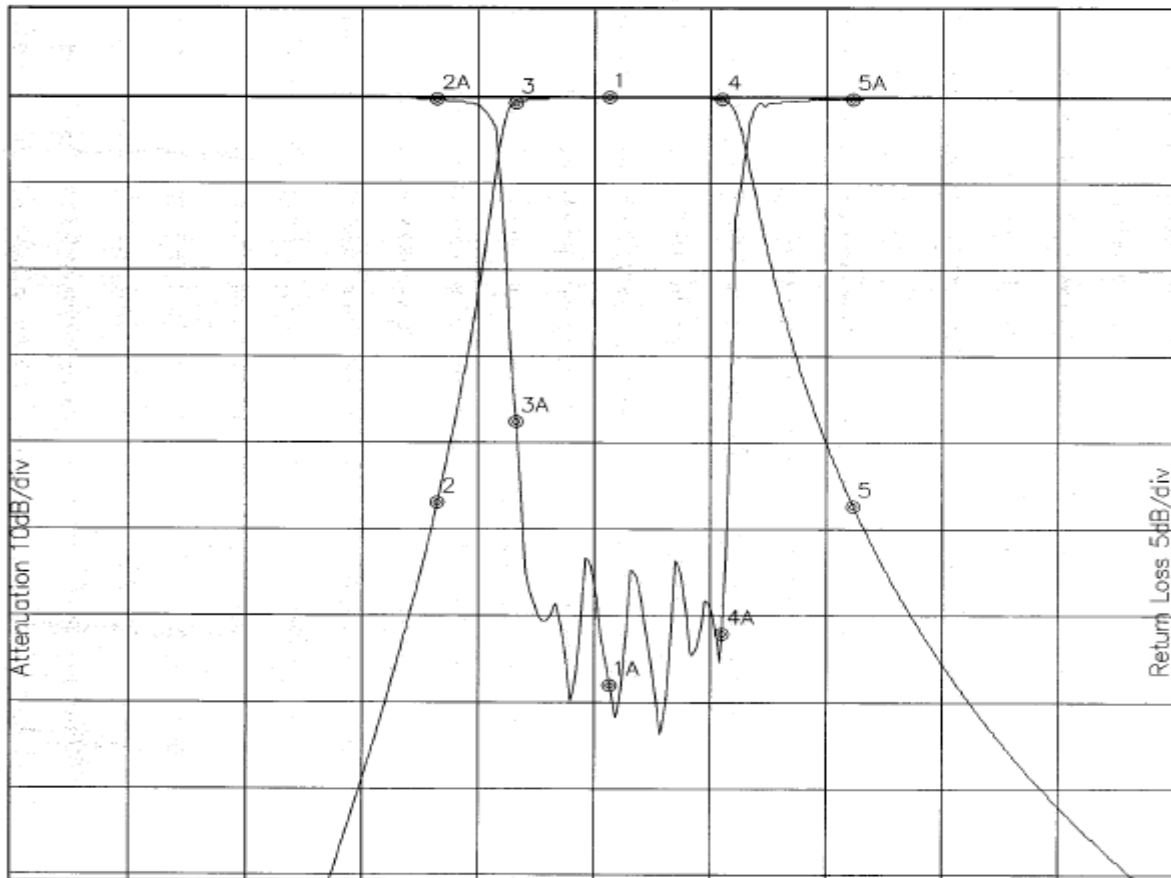


Simulation Plot:

B5458.lad

AUG 10, 2000

Attenuation/Return Loss



Attenuation Start: 0.10Hz Stop: 1000.0MHz
Offset -0.6521dB

Return Loss Start: 0.10Hz Stop: 1000.0MHz

Marker 1 Freq 512.11MHz Atten 0.063dB
Marker 2 Freq 363.48MHz Atten -46.969dB
Marker 3 Freq 431.34MHz Atten -0.572dB
Marker 4 Freq 609.04MHz Atten -0.262dB
Marker 5 Freq 722.13MHz Atten -47.303dB

Marker 1A Freq 512.11MHz Ret Loss -33.975dB
Marker 2A Freq 363.48MHz Ret Loss -0.134dB
Marker 3A Freq 431.34MHz Ret Loss -18.760dB
Marker 4A Freq 609.04MHz Ret Loss -31.087dB
Marker 5A Freq 722.13MHz Ret Loss -0.096dB

Note: This is a simulated response plot. Actual performance might differ.