



Electrical Specifications

Cutoff Frequency: 121.5 MHz
Pass Band: DC-121.5 MHz
Insertion Loss: 0.75 dB Max in pass band
Return Loss: 15 dB Min in pass band
Rejection: >60 dB @ 243 MHz
 >60 dB @ 403 MHz
Power Handling: 60 W Max

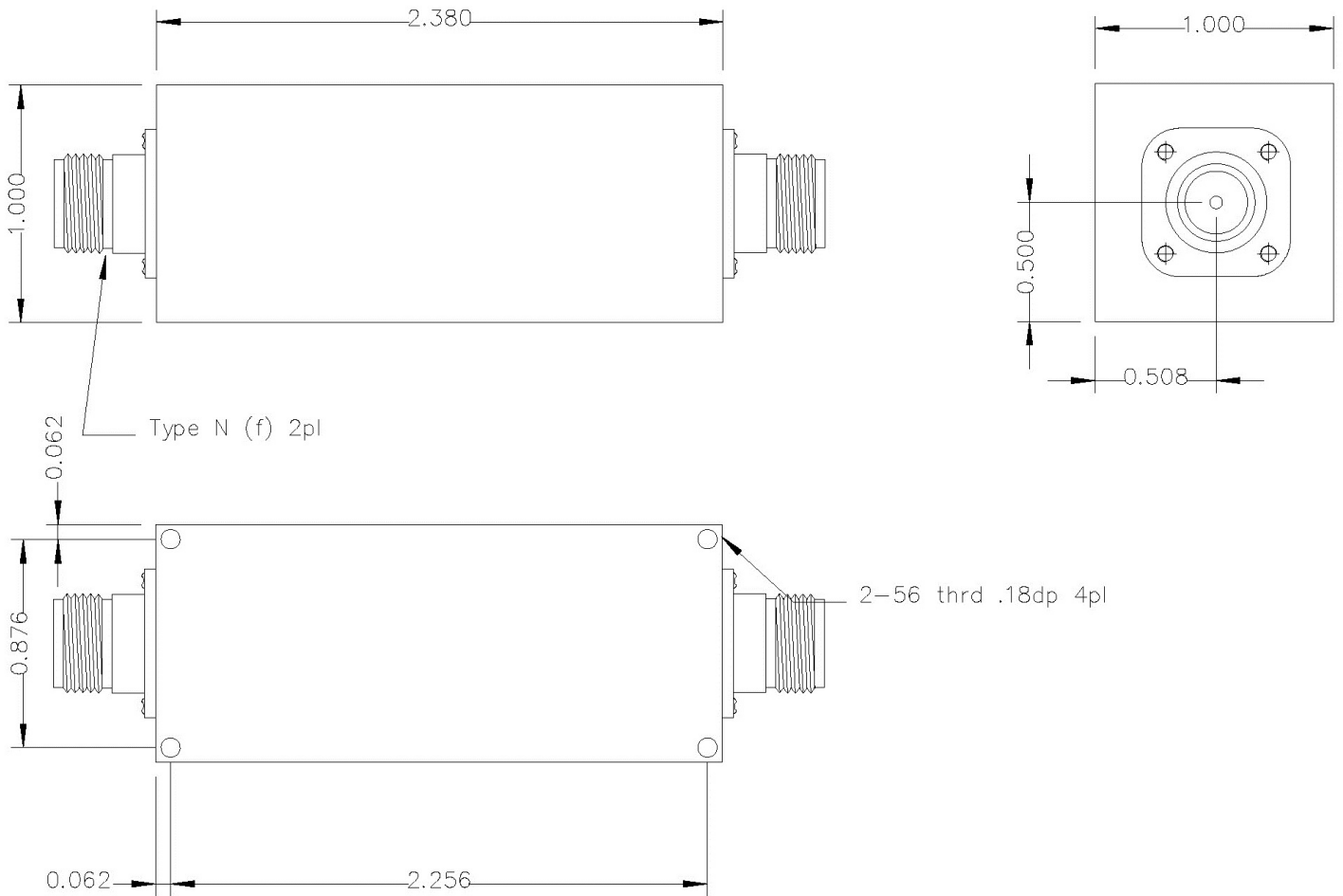
Mechanical

Connector Type: BNC (F)
Dimensions: 2.38 x 1.0 x 1.0 Inches

Environmental

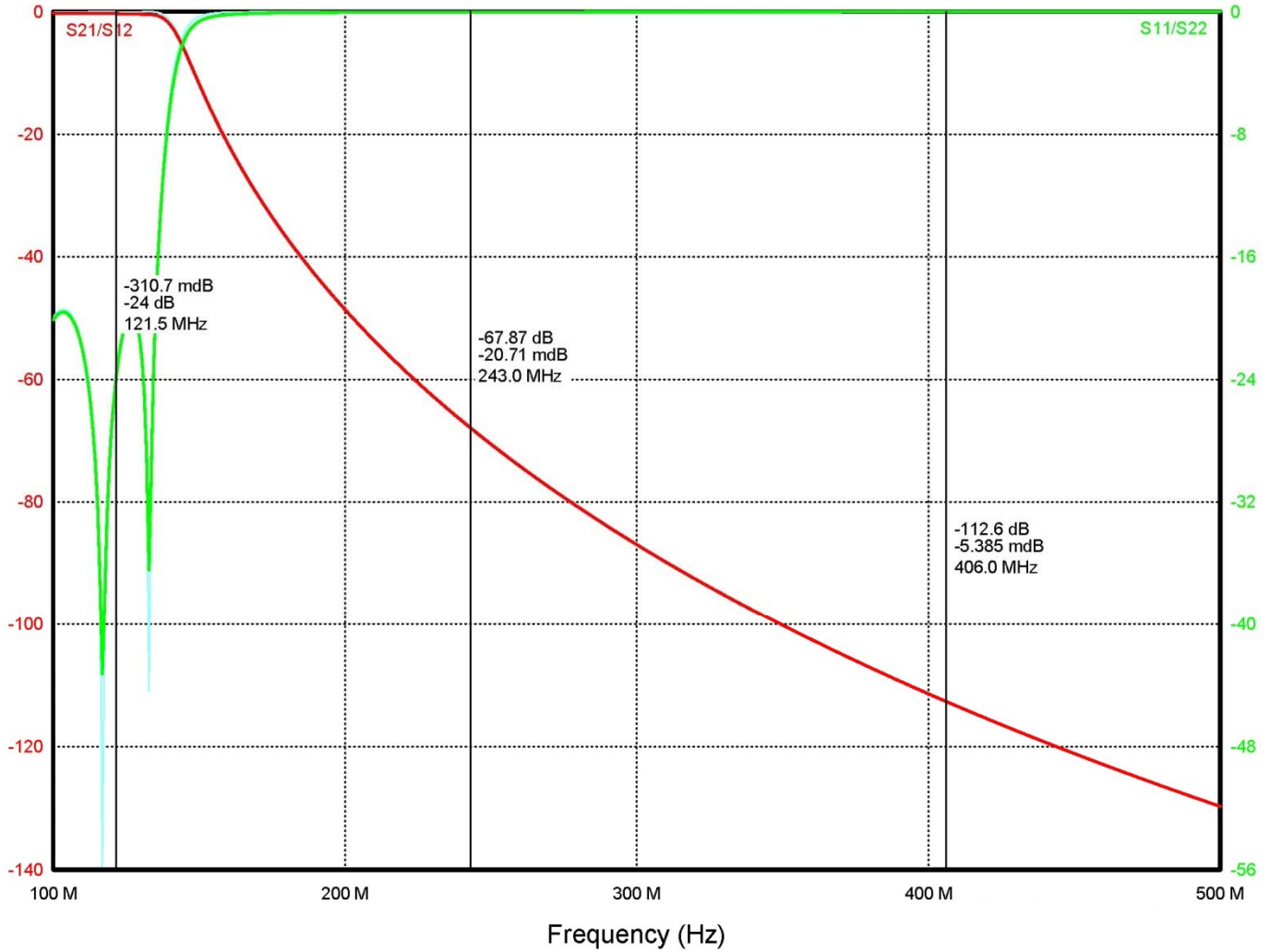
Operating Temperature: -40 to +85° C
Storage Temperature: -55 to +125° C
Shock: 20 G. 11 ms
Vibration: 20 G. 5 to 200 MHz

Outline Drawing:





Response Plot:



Note: This is a simulation plot. Actual results may differ once the product is implemented.